



US00D613591S

(12) **United States Design Patent**
Lee

(10) **Patent No.:** **US D613,591 S**
(45) **Date of Patent:** **** *Apr. 13, 2010**

(54) **PORTION OF A MOUNT**
(75) Inventor: **Michael Lee**, Winter Garden, FL (US)
(73) Assignee: **High Gear Specialties, Inc.**, Oakland, FL (US)
(*) Notice: This patent is subject to a terminal disclaimer.
(**) Term: **14 Years**
(21) Appl. No.: **29/328,848**
(22) Filed: **Dec. 3, 2008**
(51) **LOC (9) Cl.** **08-05**
(52) **U.S. Cl.** **D8/373; D12/144**
(58) **Field of Classification Search** D8/70, D8/71, 349, 354, 373, 381; D12/114, 115, D12/223, 415; D14/251, 447; 248/178.1, 248/274.1, 278.1, 284.1
See application file for complete search history.

D487,270 S 3/2004 Richter
D508,010 S * 8/2005 Matthies D12/223
D530,333 S 10/2006 Richter
D533,054 S 12/2006 Brassard
D533,055 S 12/2006 Brassard
D533,174 S 12/2006 Richter
D547,243 S * 7/2007 Matsumura et al. D12/118
D558,559 S * 1/2008 Tollefson D8/354
D562,112 S * 2/2008 Harrell D8/354
D566,647 S 4/2008 Lee
D570,745 S * 6/2008 Camasmie D12/114
D573,524 S * 7/2008 Smith et al. D12/223
D587,640 S * 3/2009 Fraser et al. D12/223
2005/0267674 A1 * 12/2005 Suzuki et al. 701/200
2008/0179478 A1 * 7/2008 Lee 248/276.1
2008/0284129 A1 * 11/2008 McVickar 280/288.4
2009/0045303 A1 * 2/2009 Andkjar 248/178.1
2009/0134655 A1 * 5/2009 Paluszkiwicz 296/78.1

* cited by examiner

Primary Examiner—Sandra Snapp
Assistant Examiner—Patricia Palasik
(74) *Attorney, Agent, or Firm*—GrayRobinson, PA

(56) **References Cited**

U.S. PATENT DOCUMENTS

D65,500 S * 8/1924 Schmale D7/402
D231,195 S 4/1974 Reynolds
D238,864 S * 2/1976 Masterson D12/114
D242,997 S * 1/1977 Dixson D12/114
D248,636 S 7/1978 Stanley
D257,221 S * 10/1980 Piesner D8/380
D265,884 S * 8/1982 Mabry D8/354
D332,789 S 1/1993 Rak
5,423,509 A * 6/1995 LaPorte et al. 248/311.2
D388,762 S 1/1998 Nagy
D398,796 S 9/1998 Fauchald et al.
5,881,936 A * 3/1999 Li 224/413
D419,415 S 1/2000 Richter
6,113,047 A 9/2000 Wung et al.
D454,828 S * 3/2002 Alder D12/223

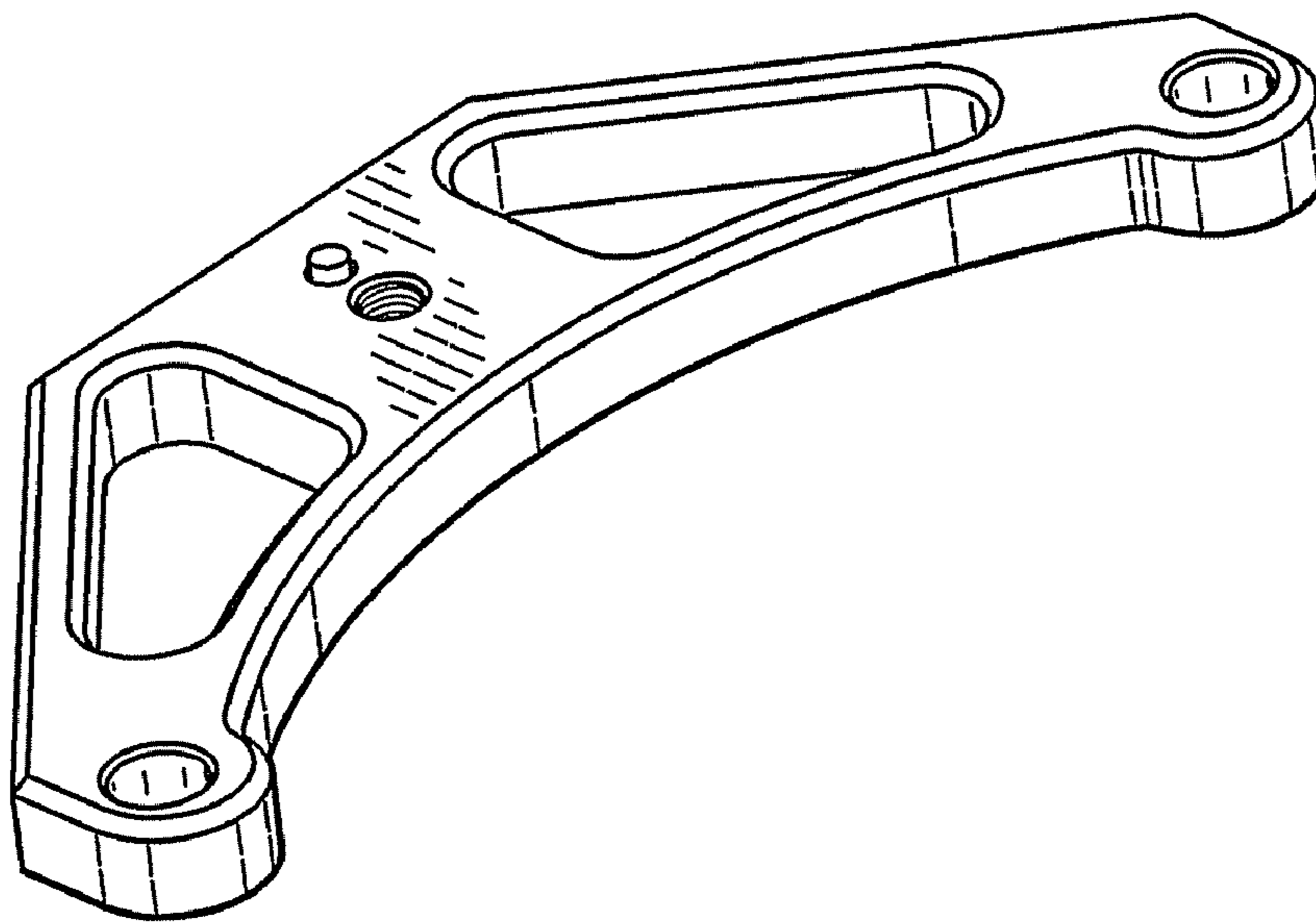
(57) **CLAIM**

The ornamental design for a portion of a mount, as shown and described.

DESCRIPTION

FIG. 1 is a perspective view of my ornamental design of a portion of a mount;
FIG. 2 is a front view thereof;
FIG. 3 is a rear view thereof;
FIG. 4 is a side view thereof;
FIG. 5 is a top, plan view thereof; and,
FIG. 6 is a bottom, plan view thereof.

1 Claim, 2 Drawing Sheets



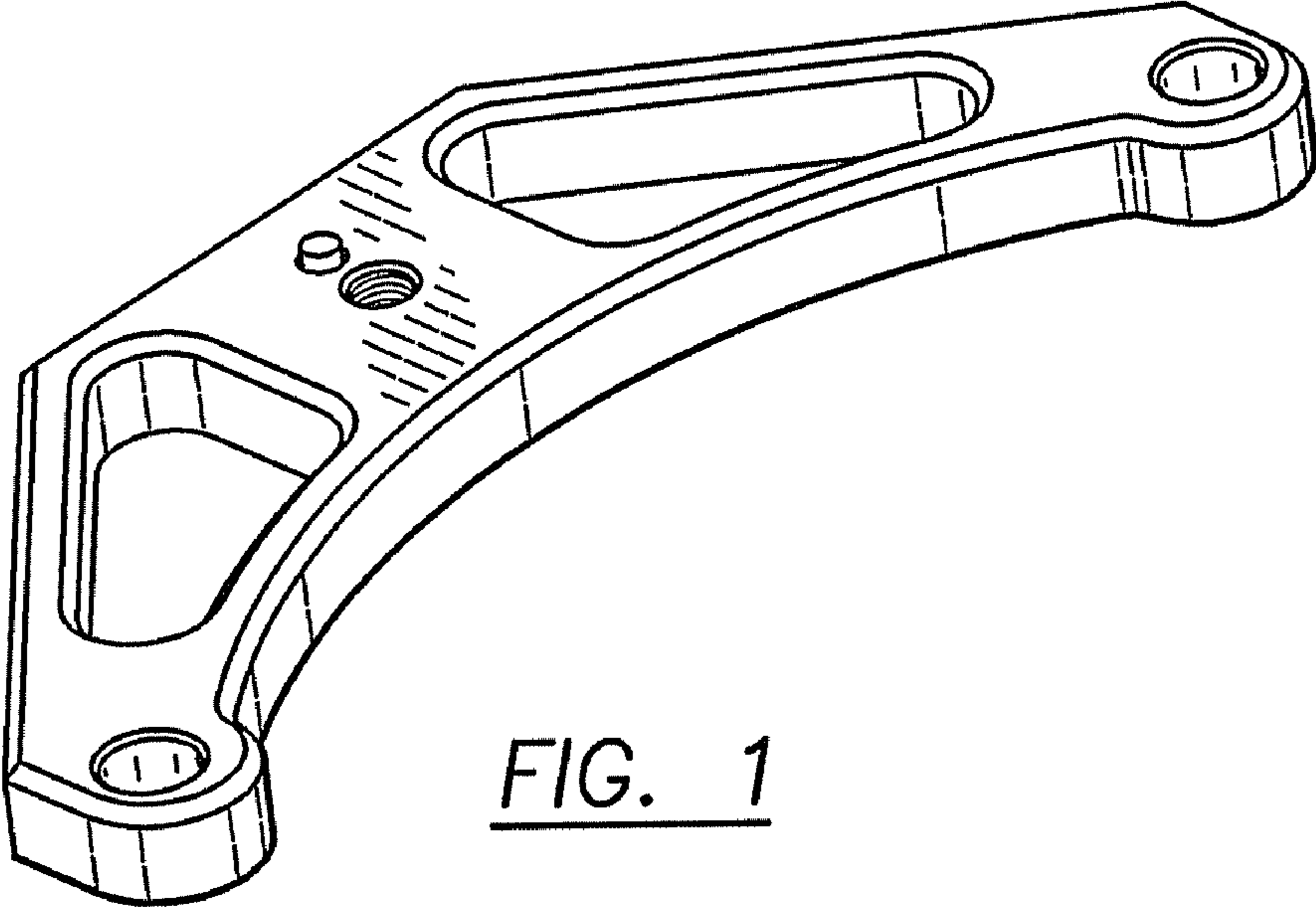


FIG. 1



FIG. 2



FIG. 3



FIG. 4

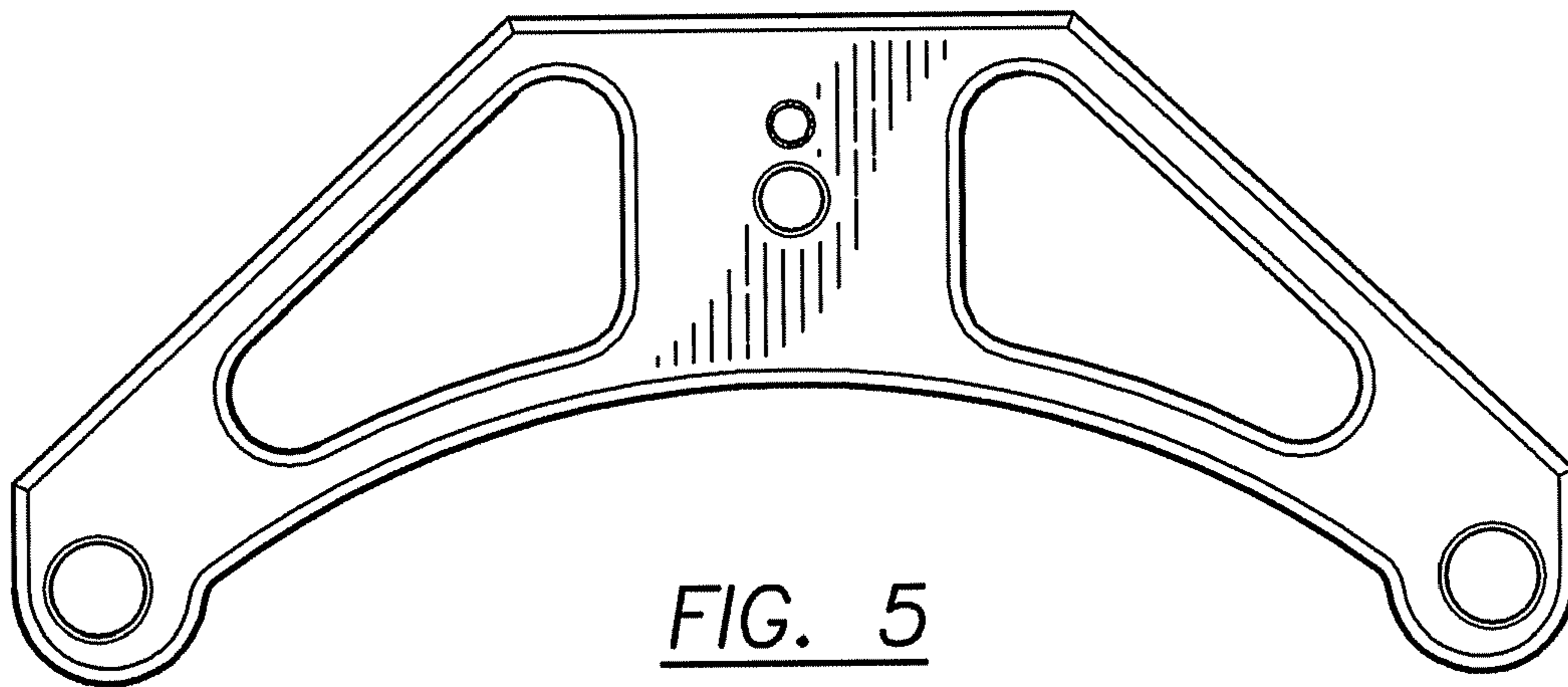


FIG. 5

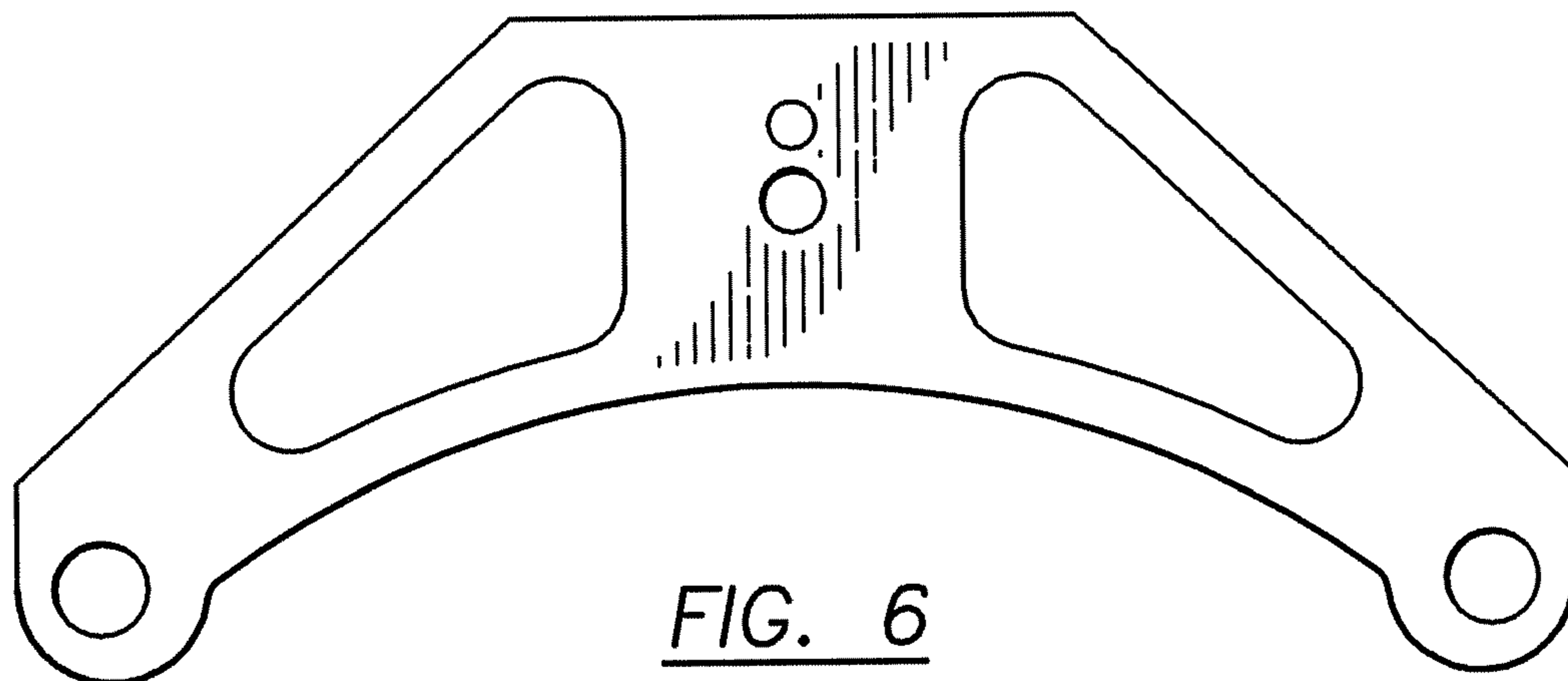


FIG. 6