



US00D613588S

(12) **United States Design Patent**
Goodman et al.

(10) **Patent No.:** **US D613,588 S**
(45) **Date of Patent:** **** Apr. 13, 2010**

(54) **OVER-THE-DRAWER/CABINET HOOK**

(57) **CLAIM**

(75) Inventors: **Sheldon H. Goodman**, Solon, OH (US);
Omer I. Sazir, Cleveland, OH (US);
Patrick Triato, Tremont, OH (US)

The ornamental design for an over-the-drawer/cabinet hook,
as shown and described.

(73) Assignee: **Spectrum Diversified Designs, Inc.**,
Streetsboro, OH (US)

DESCRIPTION

(**) Term: **14 Years**

FIG. 1 is a top plan view of an over-the- drawer/cabinet hook
showing our new design;

(21) Appl. No.: **29/341,397**

FIG. 2 is a front elevational view thereof;

(22) Filed: **Aug. 5, 2009**

FIG. 3 is a perspective view thereof;

(51) **LOC (9) Cl.** **08-05**

FIG. 4 is a rear elevational view thereof;

(52) **U.S. Cl.** **D8/367**

FIG. 5 is a bottom plan view thereof;

(58) **Field of Classification Search** D8/367,

FIG. 6 is a right side elevational view thereof, the left side
elevational view being a mirror image;

D8/373; 248/302-303, 339

FIG. 7 is an alternate environmental top plan view thereof;

See application file for complete search history.

FIG. 8 is a front elevational view thereof;

(56) **References Cited**

FIG. 9 is a right side elevational view thereof, the left side
elevational view being a mirror image;

U.S. PATENT DOCUMENTS

FIG. 10 is a perspective view thereof;

D465,724 S * 11/2002 Goodman et al. D8/367

FIG. 11 is a rear elevational view thereof; and,

D468,624 S * 1/2003 Goodman et al. D8/371

FIG. 12 is a bottom plan view thereof.

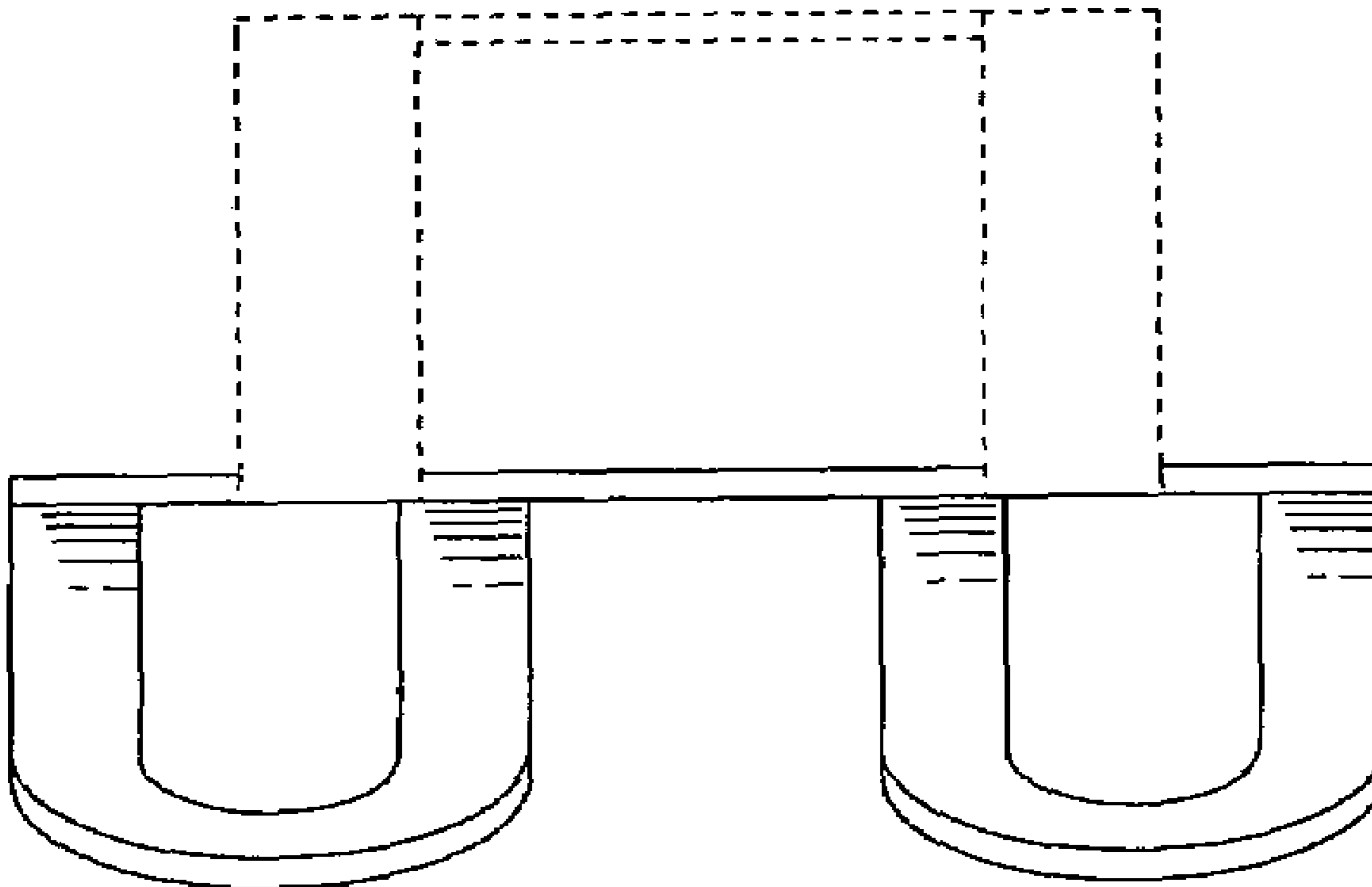
* cited by examiner

The dotted-line showing in the drawings illustrates environ-
mental matter and forms no part of the claimed design.

Primary Examiner—Holly H Baynham

1 Claim, 4 Drawing Sheets

(74) *Attorney, Agent, or Firm*—Pearne & Gordon LLP



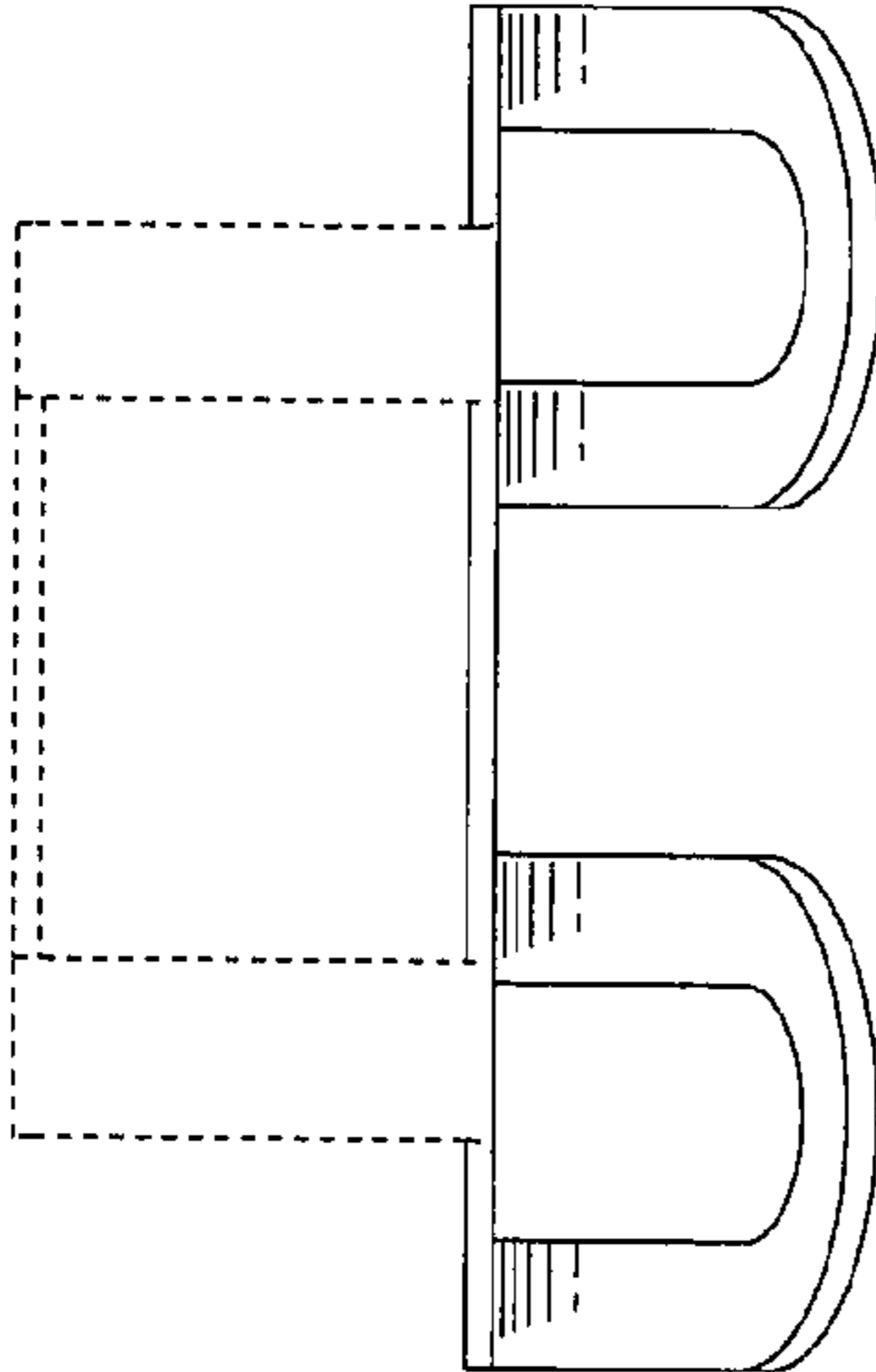


FIG. 1

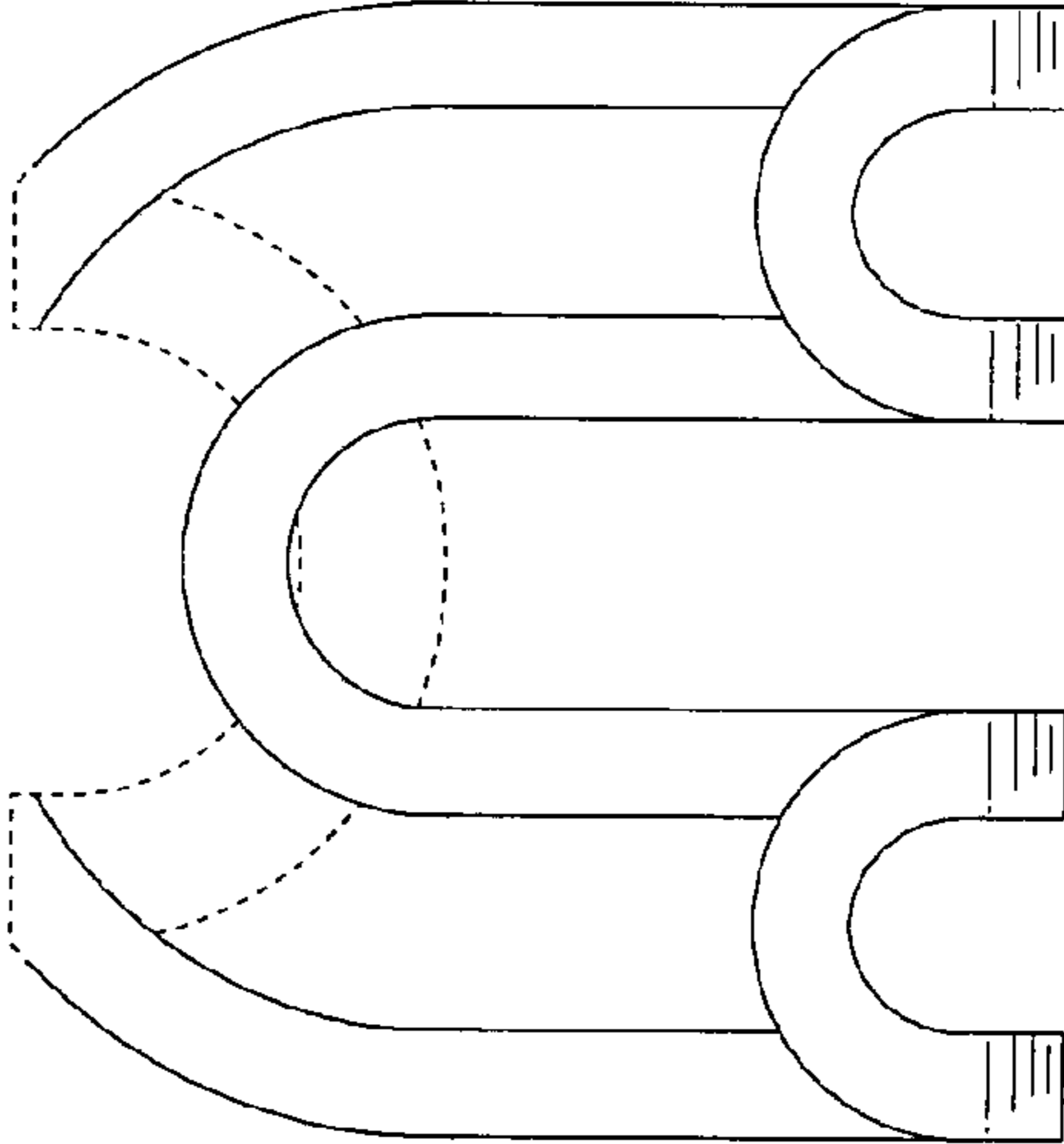


FIG. 2

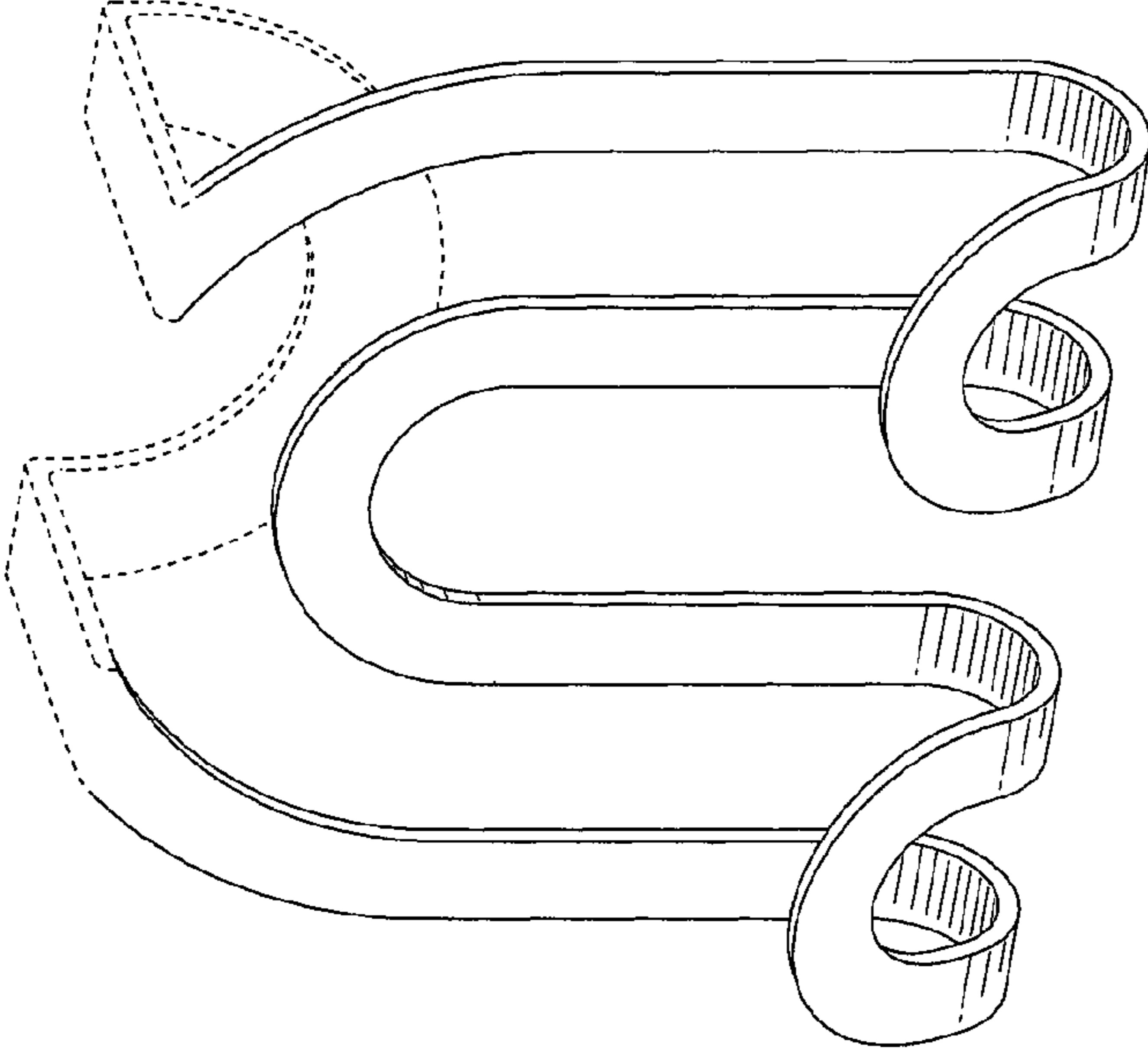


FIG. 3

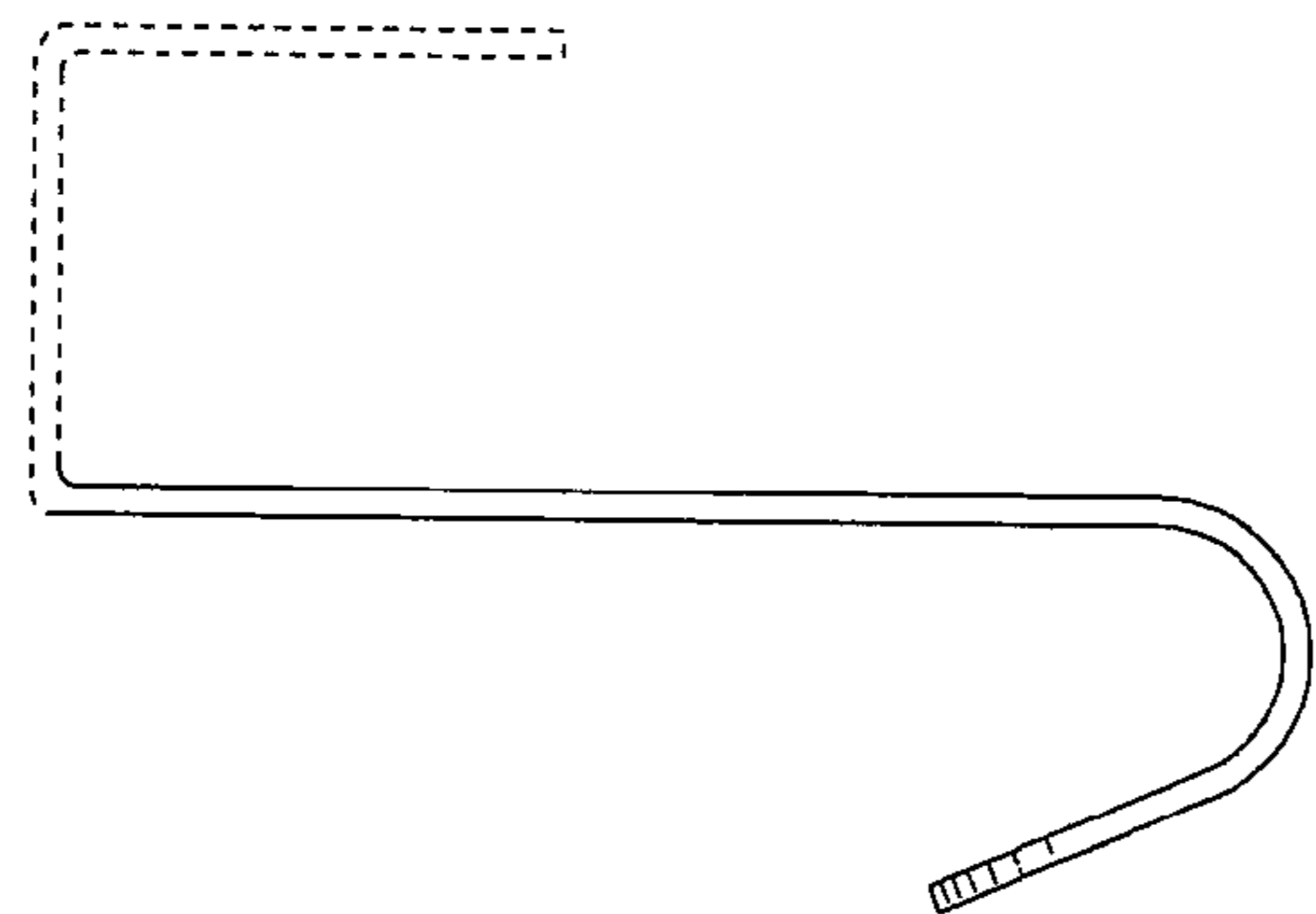


FIG. 6

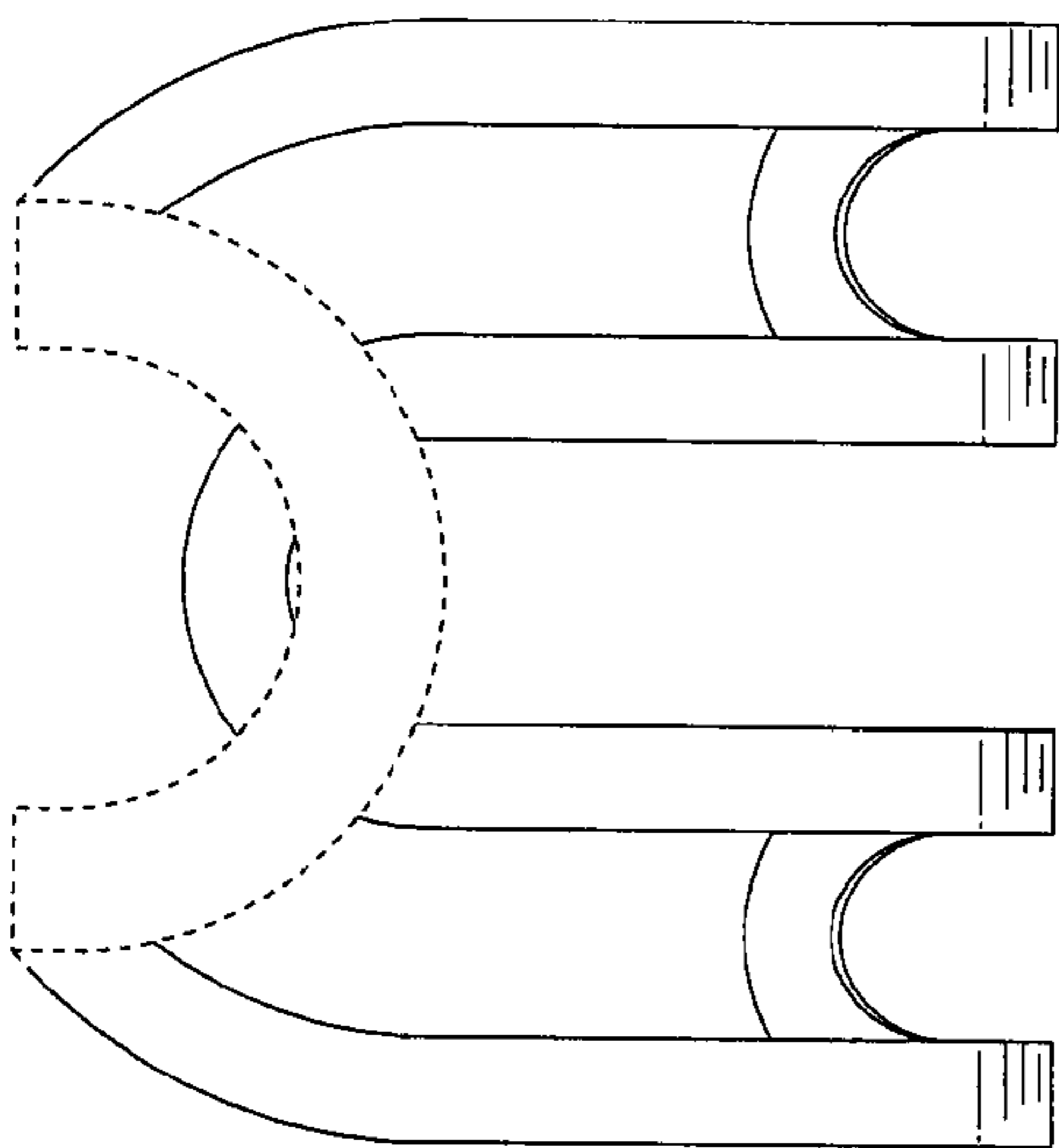


FIG. 4

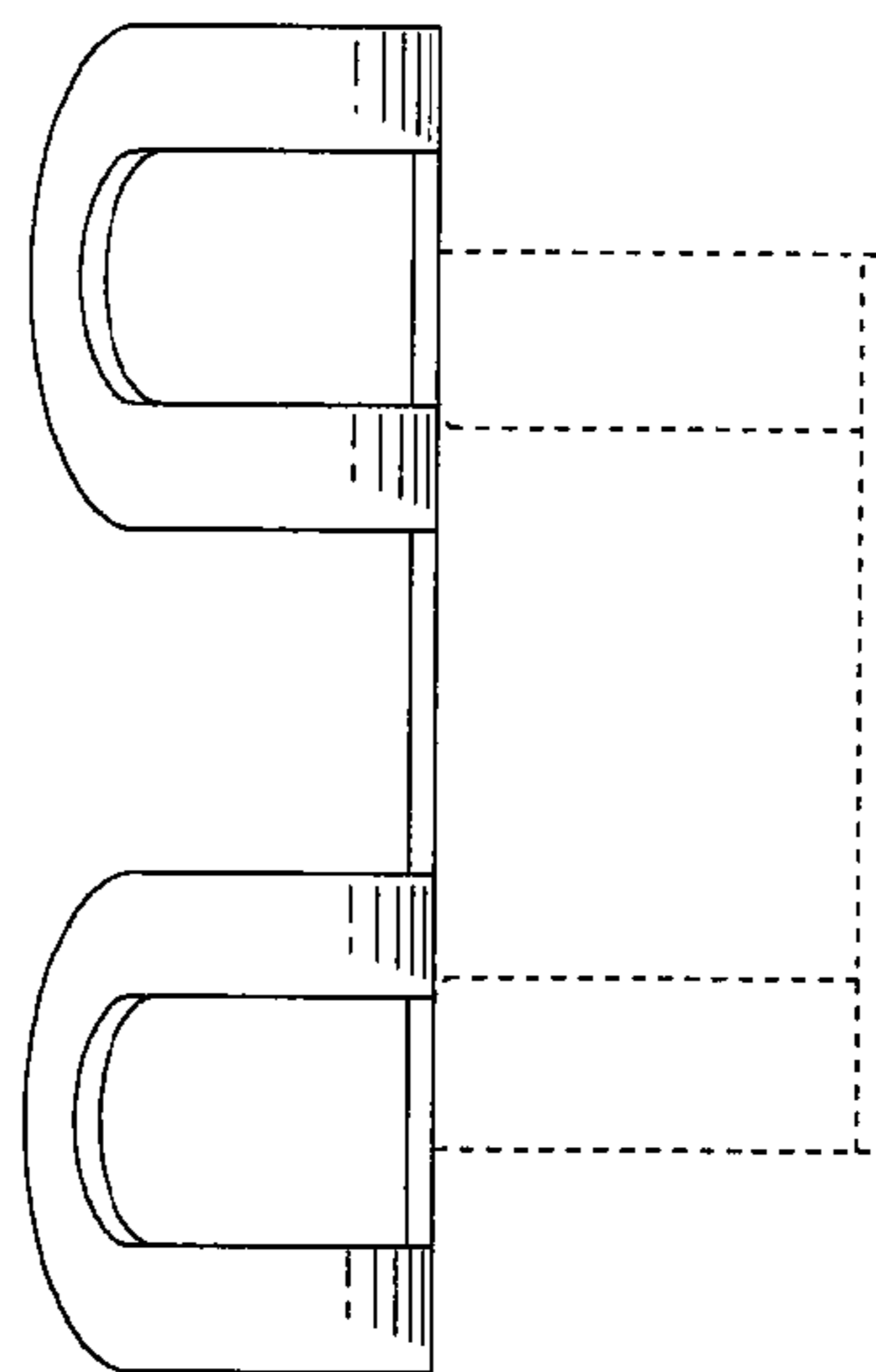


FIG. 5

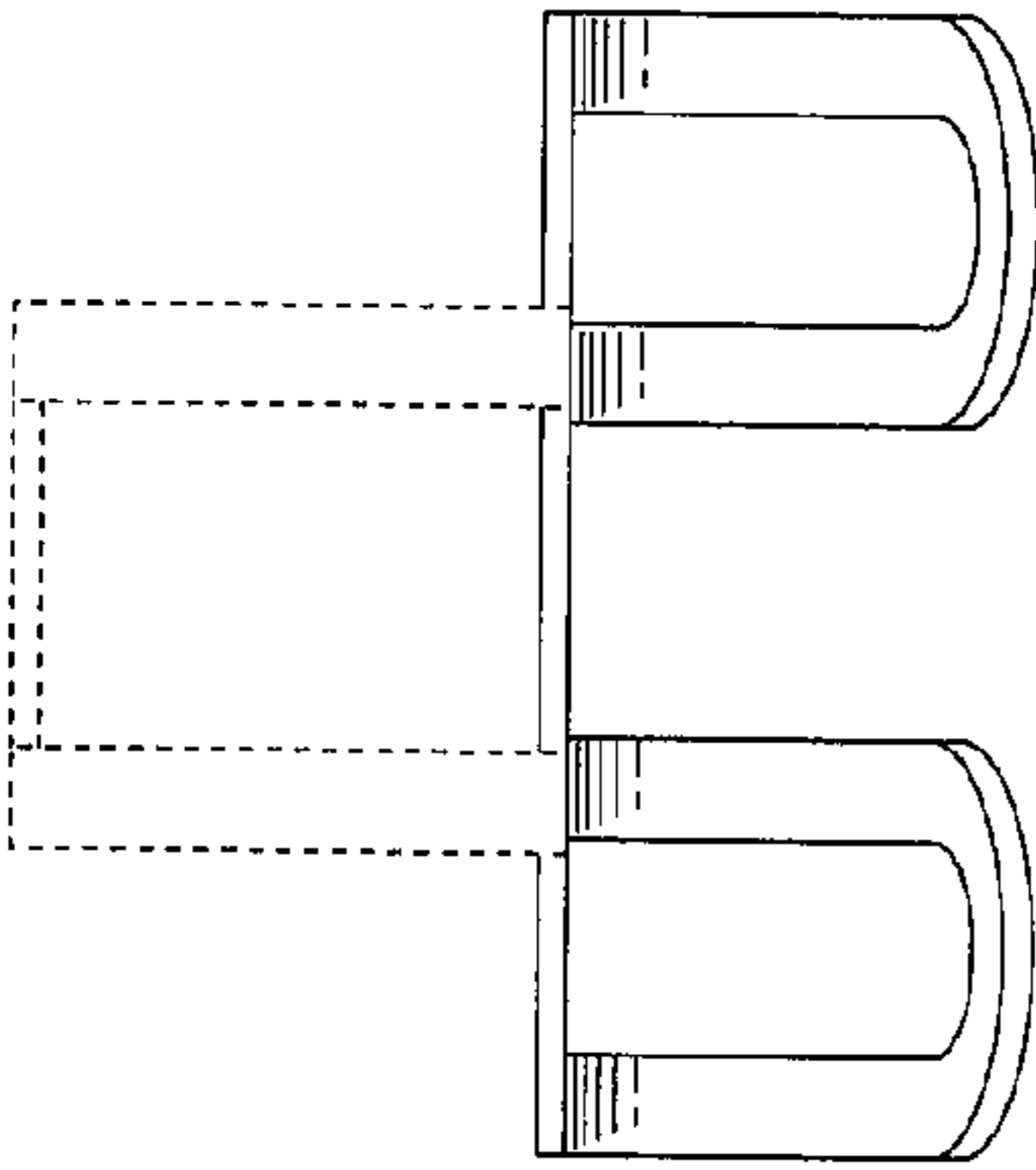


FIG. 7

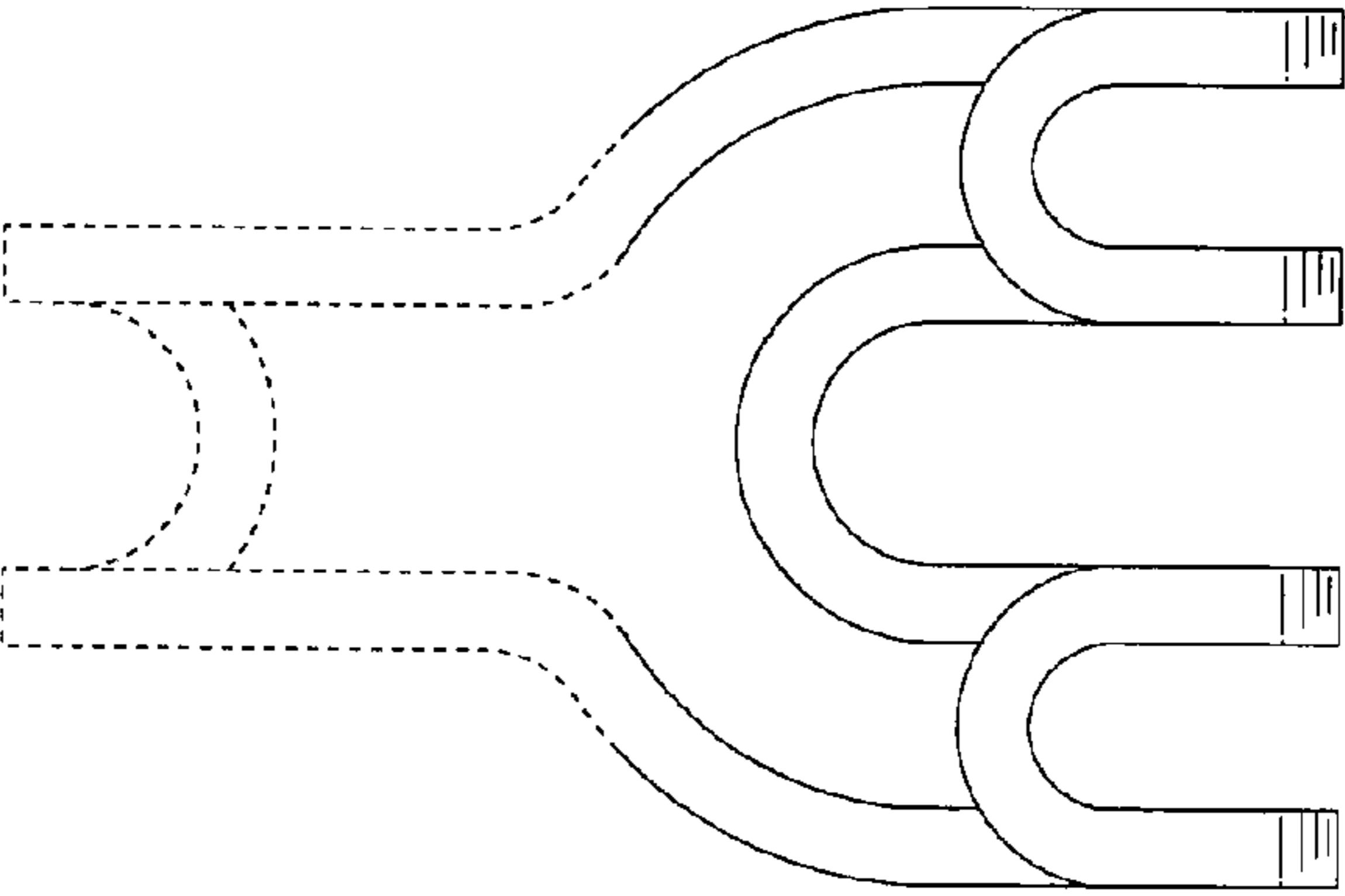


FIG. 8

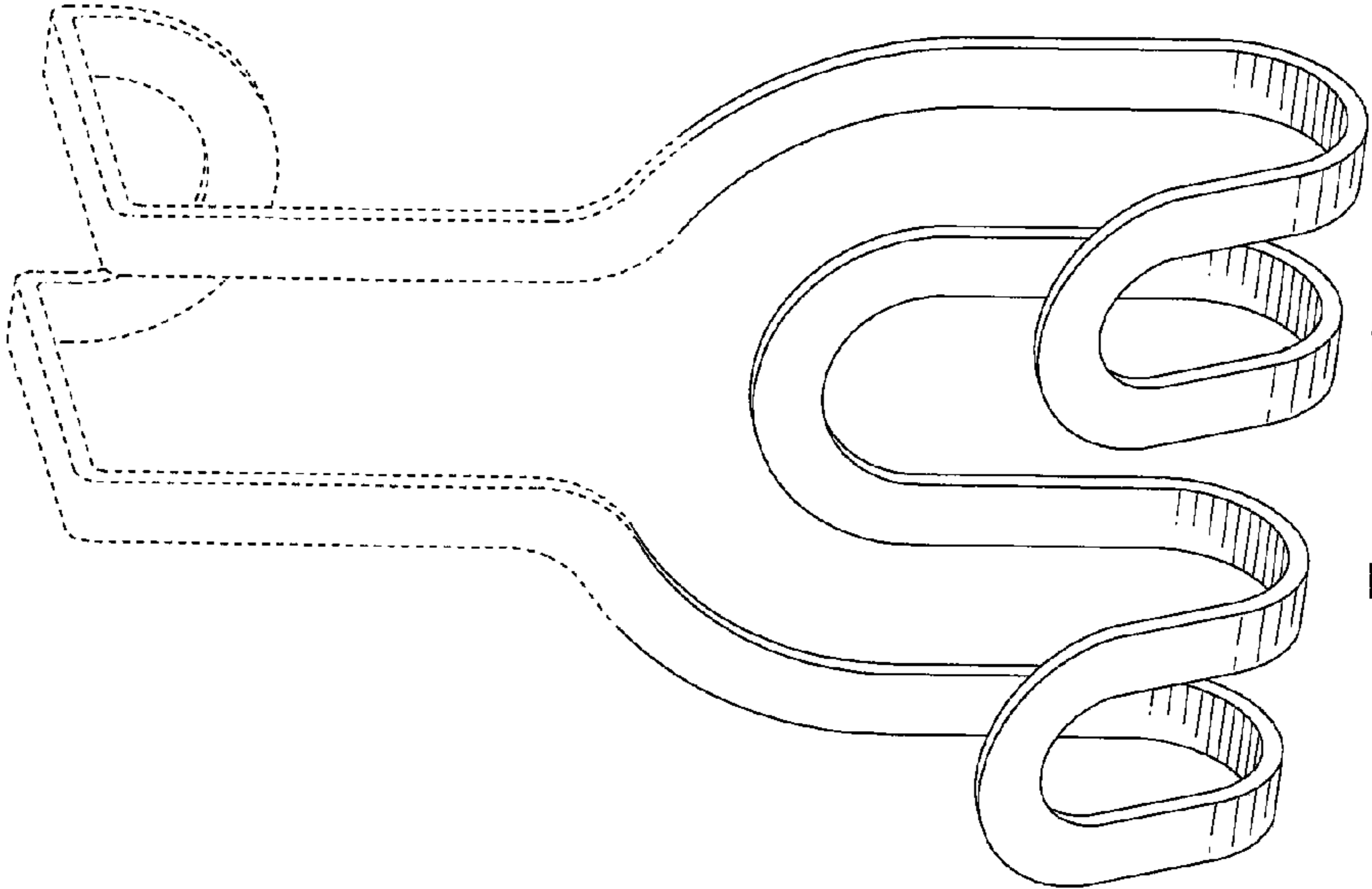


FIG. 10

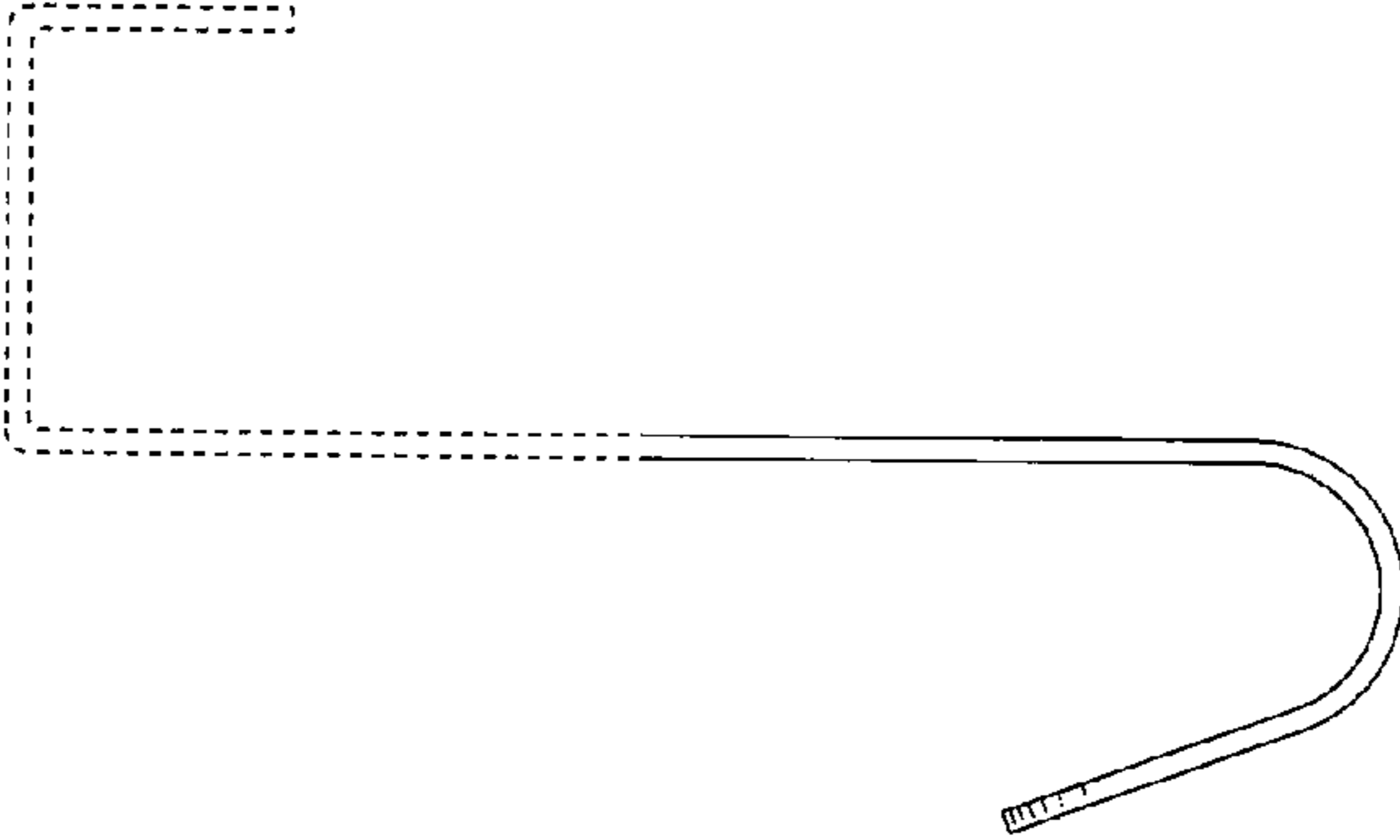


FIG. 9

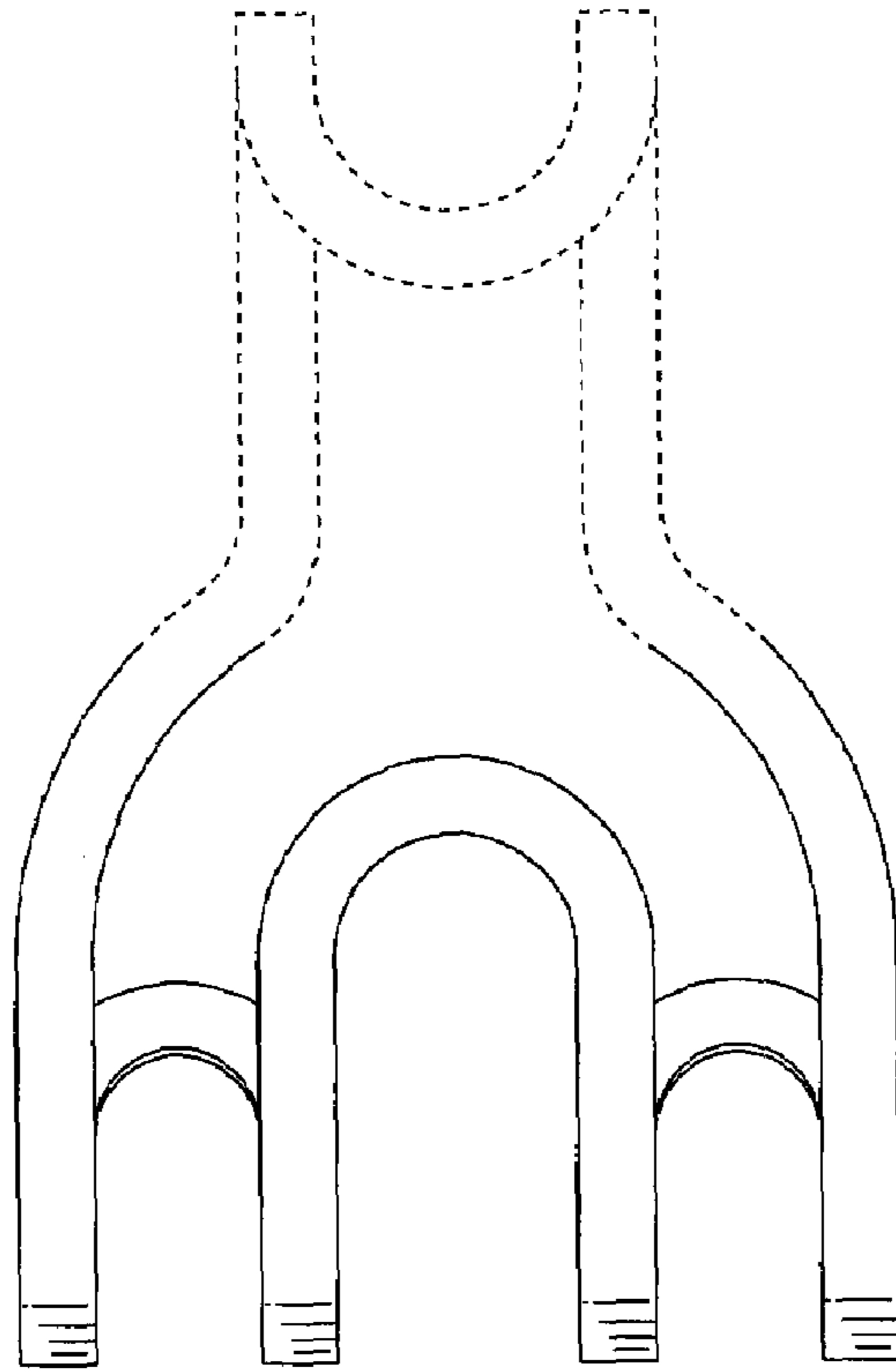


FIG. 11

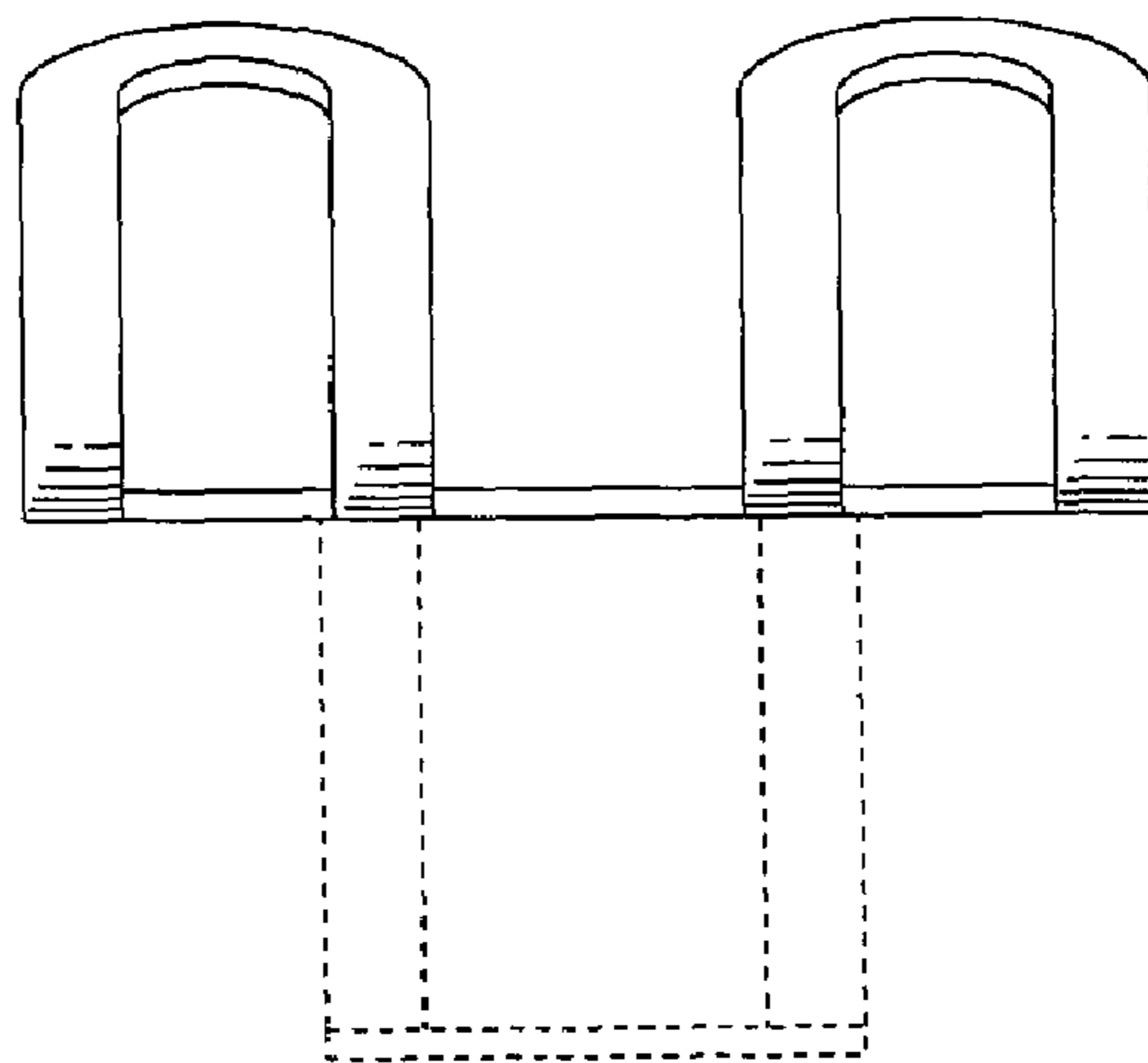


FIG. 12