



US00D613587S

(12) **United States Design Patent**
Goodman et al.

(10) **Patent No.:** **US D613,587 S**

(45) **Date of Patent:** **** Apr. 13, 2010**

(54) **OVER-THE-DOOR HOOK**

D487,561 S * 3/2004 Nguyen et al. D8/370
D591,143 S * 4/2009 Ernst et al. D8/372

(75) Inventors: **Sheldon H. Goodman**, Solon, OH (US);
Omer I. Sazir, Cleveland, OH (US);
Elizabeth A. Cho, Strongsville, OH
(US)

* cited by examiner

Primary Examiner—Holly H Baynham
(74) *Attorney, Agent, or Firm*—Pearne & Gordon LLP

(73) Assignee: **Spectrum Diversified Designs, Inc.**,
Streetsboro, OH (US)

(57) **CLAIM**

The ornamental design for an over-the-door hook, as shown
and described.

(**) Term: **14 Years**

(21) Appl. No.: **29/340,235**

DESCRIPTION

(22) Filed: **Jul. 15, 2009**

FIG. 1 is a perspective view of an over-the-door hook showing
our new design;

(51) **LOC (9) Cl.** **08-05**

FIG. 2 is a top plan view thereof;

(52) **U.S. Cl.** **D8/367; D8/370**

FIG. 3 is a front elevational view thereof;

(58) **Field of Classification Search** D8/367,
D8/373, 370; 248/302–303, 339

FIG. 4 is a right side elevational view thereof, the left side
elevational view being a mirror image;

See application file for complete search history.

FIG. 5 is a rear elevational view thereof; and,

(56) **References Cited**

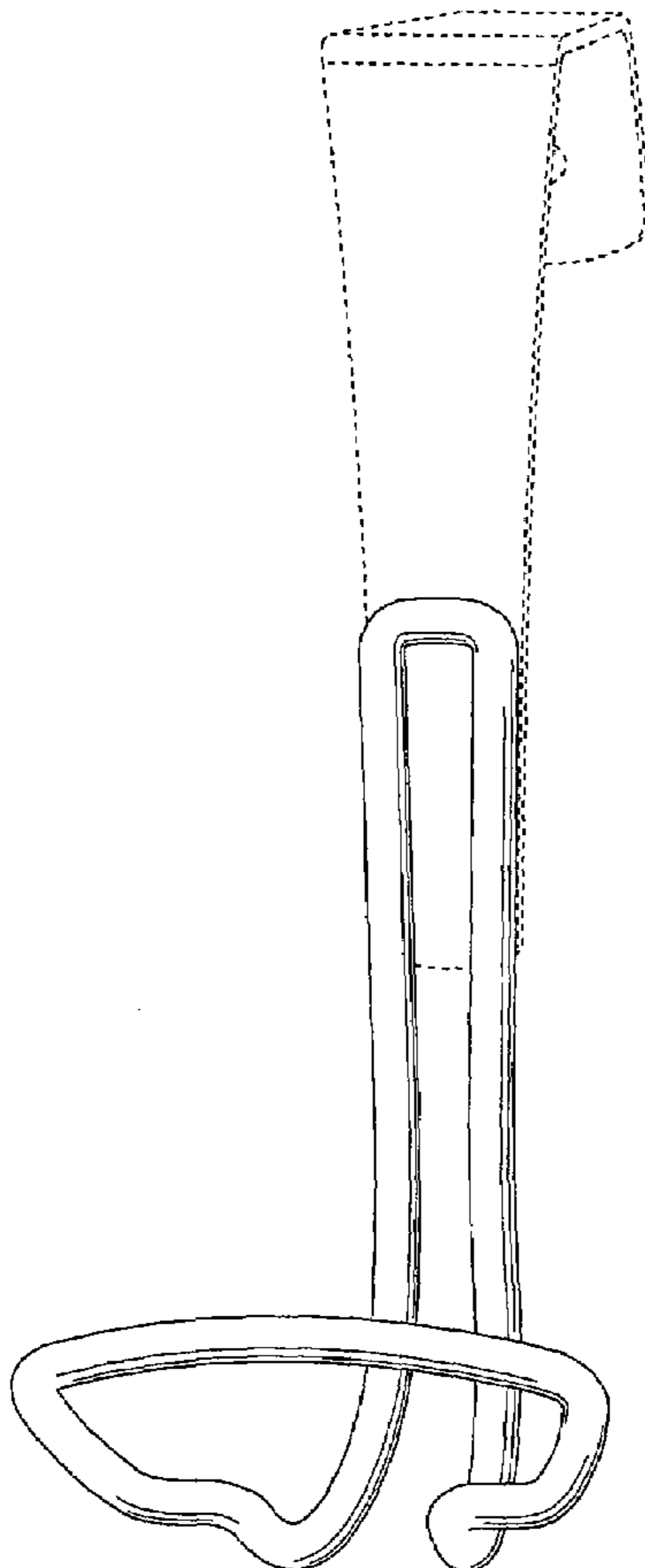
FIG. 6 is a bottom plan view thereof.

U.S. PATENT DOCUMENTS

The dotted line showing in the drawings, illustrates environ-
mental matter and forms no part of the claimed design.

1,220,717 A * 3/1917 Bennett 248/227.2
D439,143 S * 3/2001 Goodman et al. D8/372
D480,624 S * 10/2003 Dretzka D8/367

1 Claim, 3 Drawing Sheets



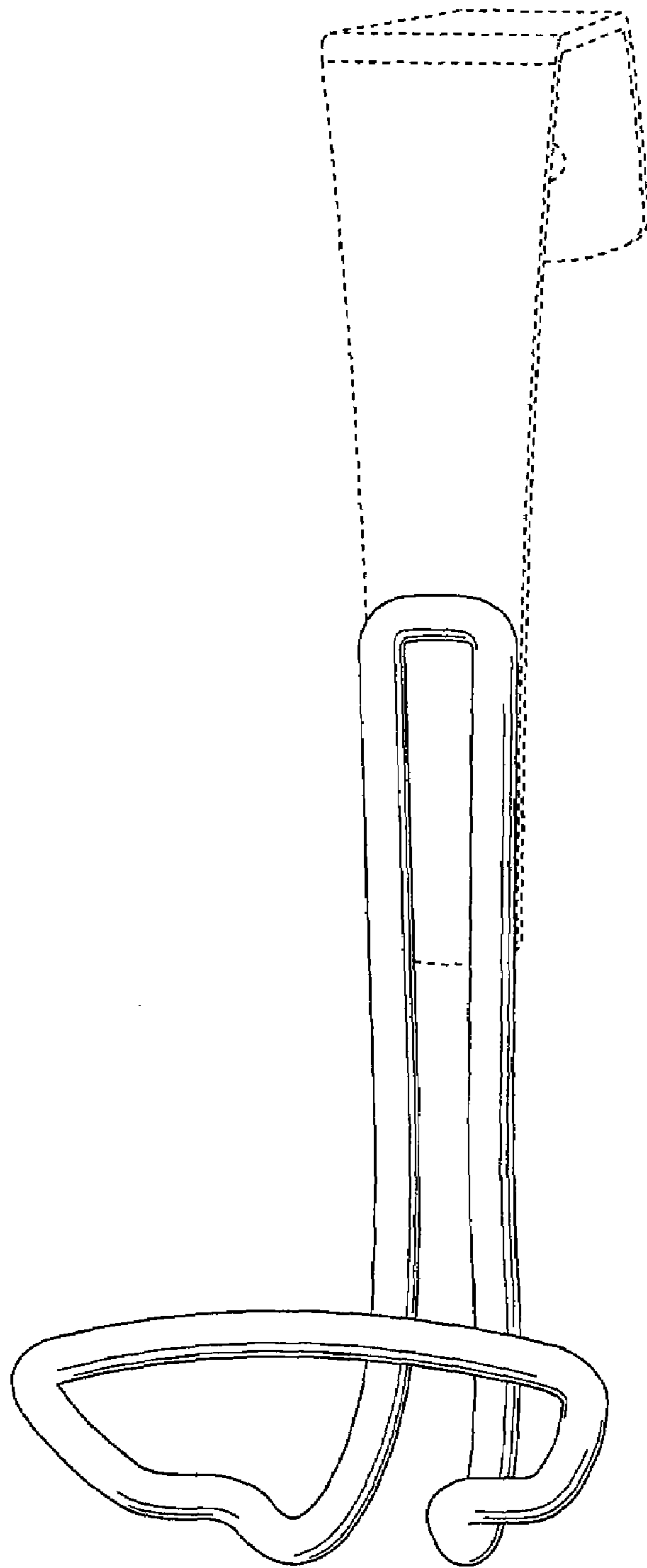


FIG. 1

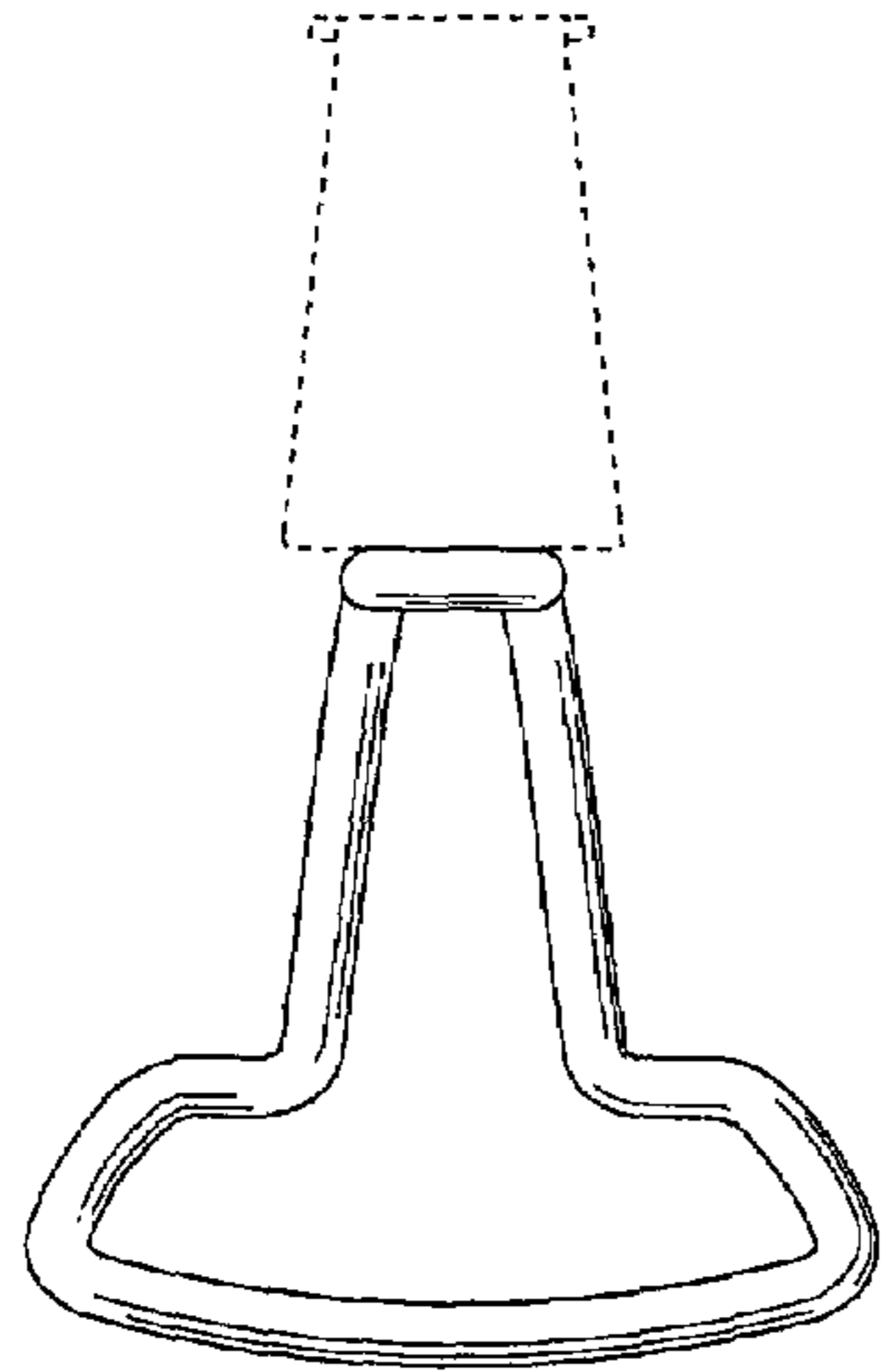


FIG. 2

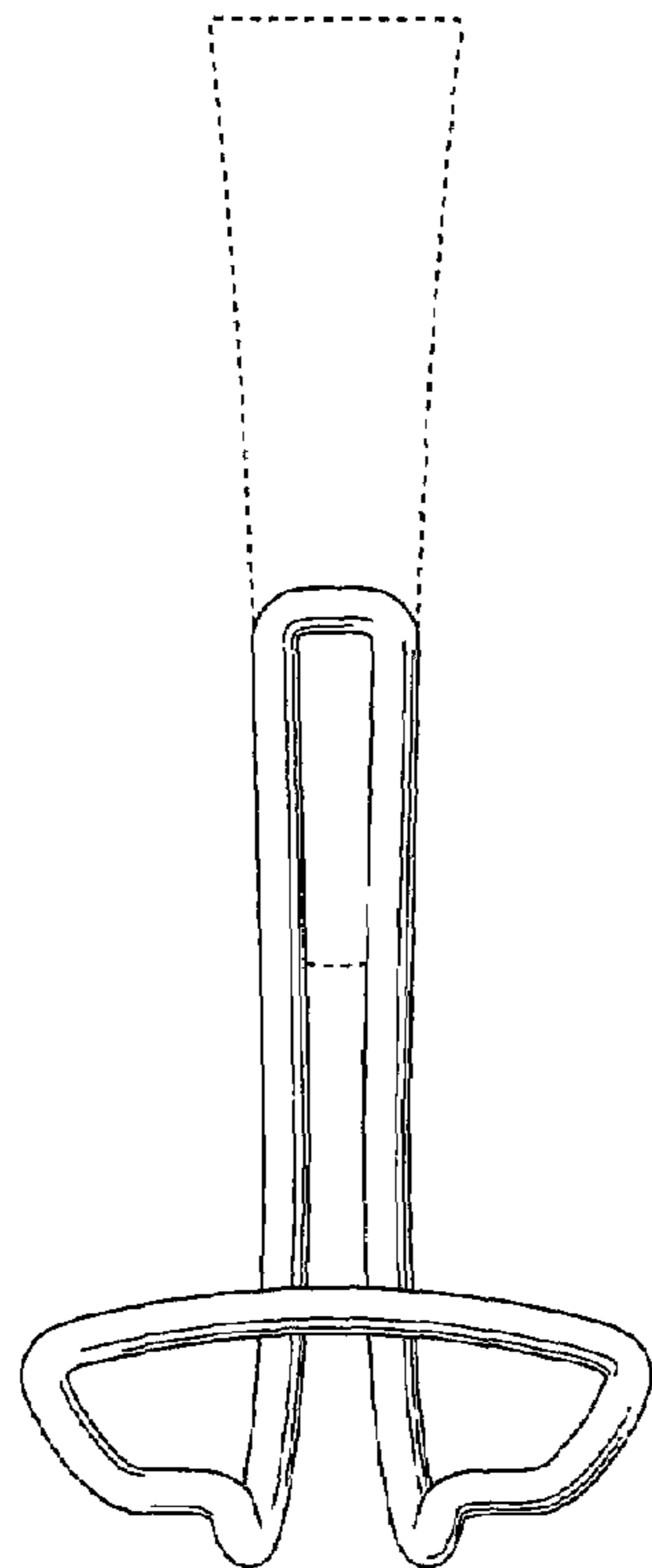


FIG. 3

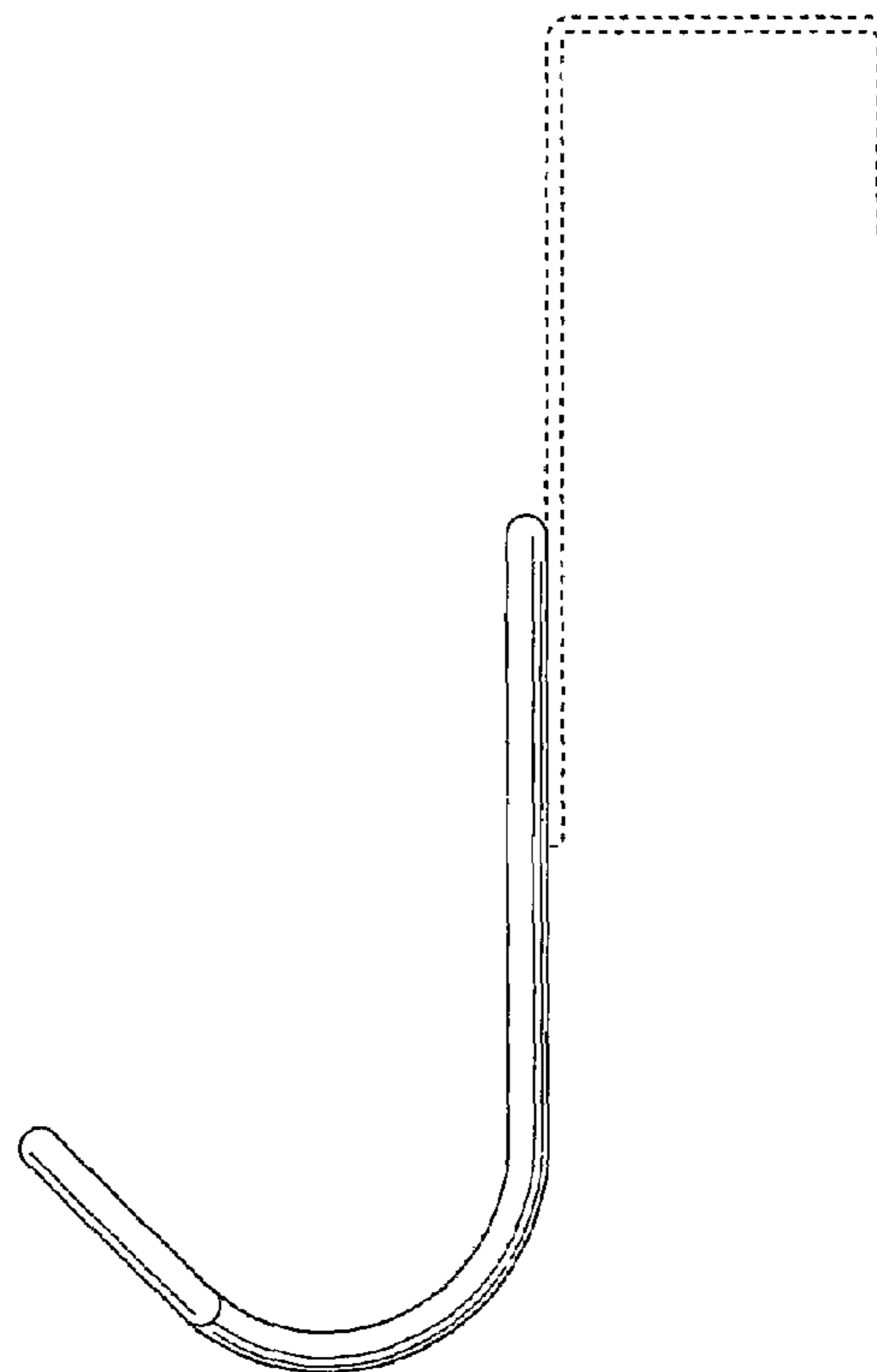


FIG. 4

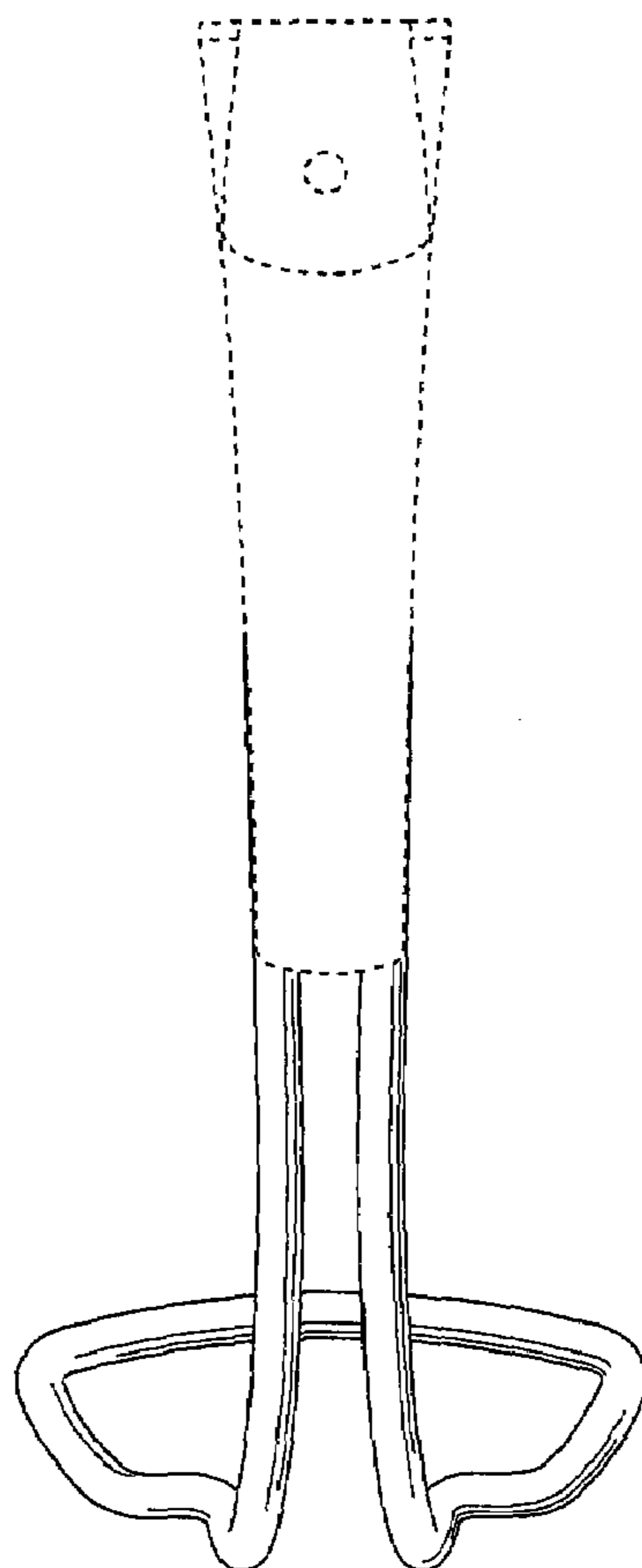


FIG. 5

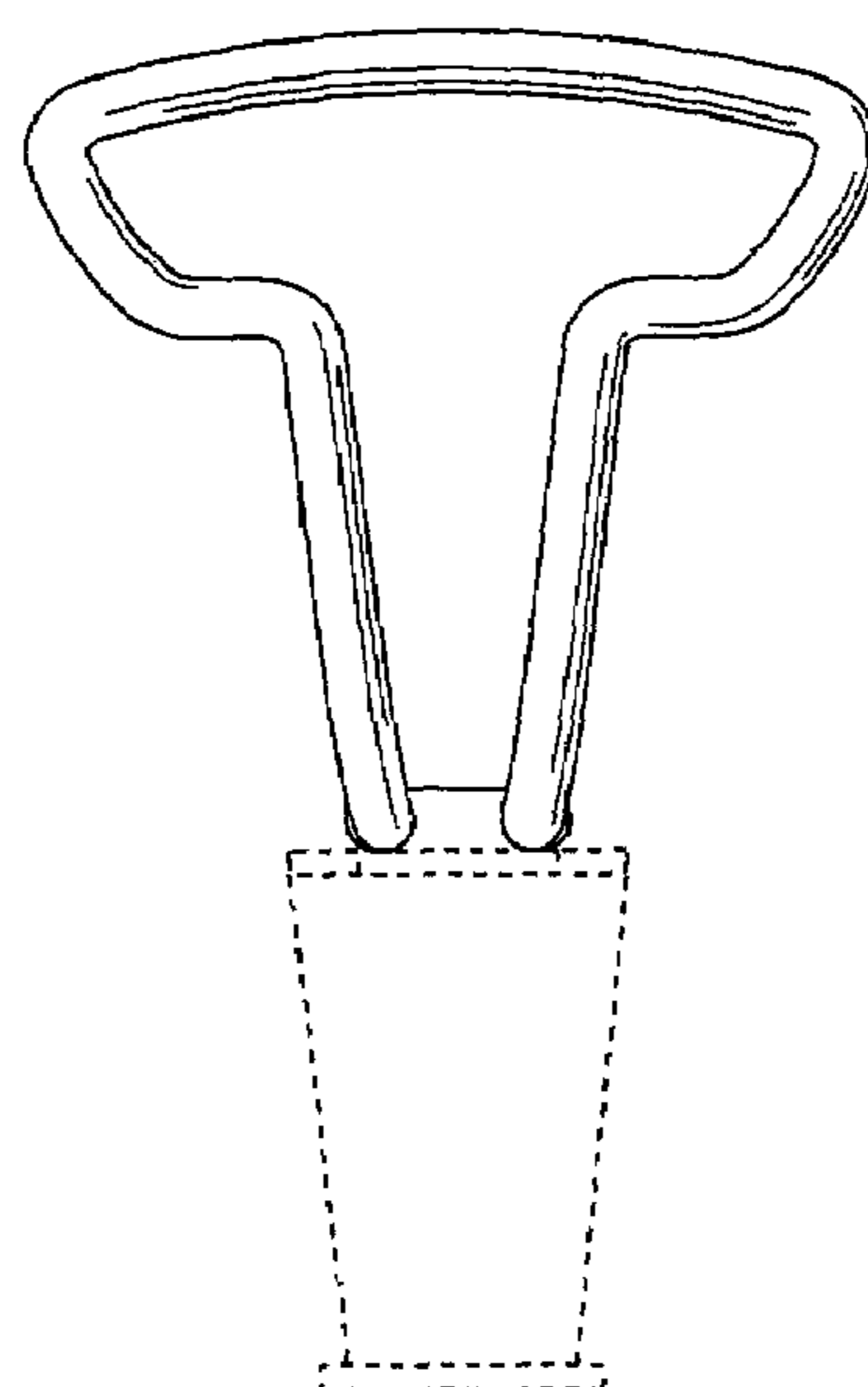


FIG. 6