



US00D613586S

(12) **United States Design Patent**  
**Goodman et al.**

(10) **Patent No.:** **US D613,586 S**  
(45) **Date of Patent:** **\*\* Apr. 13, 2010**

(54) **HOOK FOR SURFACE AND OVER-THE-DOOR MOUNTING**

(75) Inventors: **Sheldon H. Goodman**, Solon, OH (US);  
**Omer I. Sazir**, Cleveland, OH (US);  
**Elizabeth A. Cho**, Strongsville, OH (US)

(73) Assignee: **Spectrum Diversified Designs, Inc.**, Streetsboro, OH (US)

(\*\*) Term: **14 Years**

(21) Appl. No.: **29/340,231**

(22) Filed: **Jul. 15, 2009**

(51) **LOC (9) Cl.** ..... **08-05**

(52) **U.S. Cl.** ..... **D8/367; D8/372**

(58) **Field of Classification Search** ..... **D8/367, D8/373, 372, 370; 248/302-303, 339**  
See application file for complete search history.

(56) **References Cited**

U.S. PATENT DOCUMENTS

1,220,717	A *	3/1917	Bennett	.....	248/227.2
D439,143	S *	3/2001	Goodman et al.	.....	D8/372
D480,624	S *	10/2003	Dretzka	.....	D8/367
D487,561	S *	3/2004	Nguyen et al.	.....	D8/370
D591,143	S *	4/2009	Ernst et al.	.....	D8/372

\* cited by examiner

*Primary Examiner*—Holly H Baynham

(74) *Attorney, Agent, or Firm*—Pearne & Gordon LLP

(57) **CLAIM**

The ornamental design for a hook for surface and over-the-door mounting, as shown and described.

**DESCRIPTION**

FIG. 1 is a perspective view of an over-the-door hook showing our new design;

FIG. 2 is a rear elevational view thereof;

FIG. 3 is a front elevational view thereof;

FIG. 4 is a right side elevational view thereof, the left side elevational view being a mirror image;

FIG. 5 is a bottom plan view thereof;

FIG. 6 is a top plan view thereof;

FIG. 7 is an alternate environmental perspective view thereof;

FIG. 8 is a perspective view of a second embodiment of the design shown in FIG. 1;

FIG. 9 is a top plan view thereof;

FIG. 10 is a front elevational view thereof;

FIG. 11 is a rear elevational view thereof;

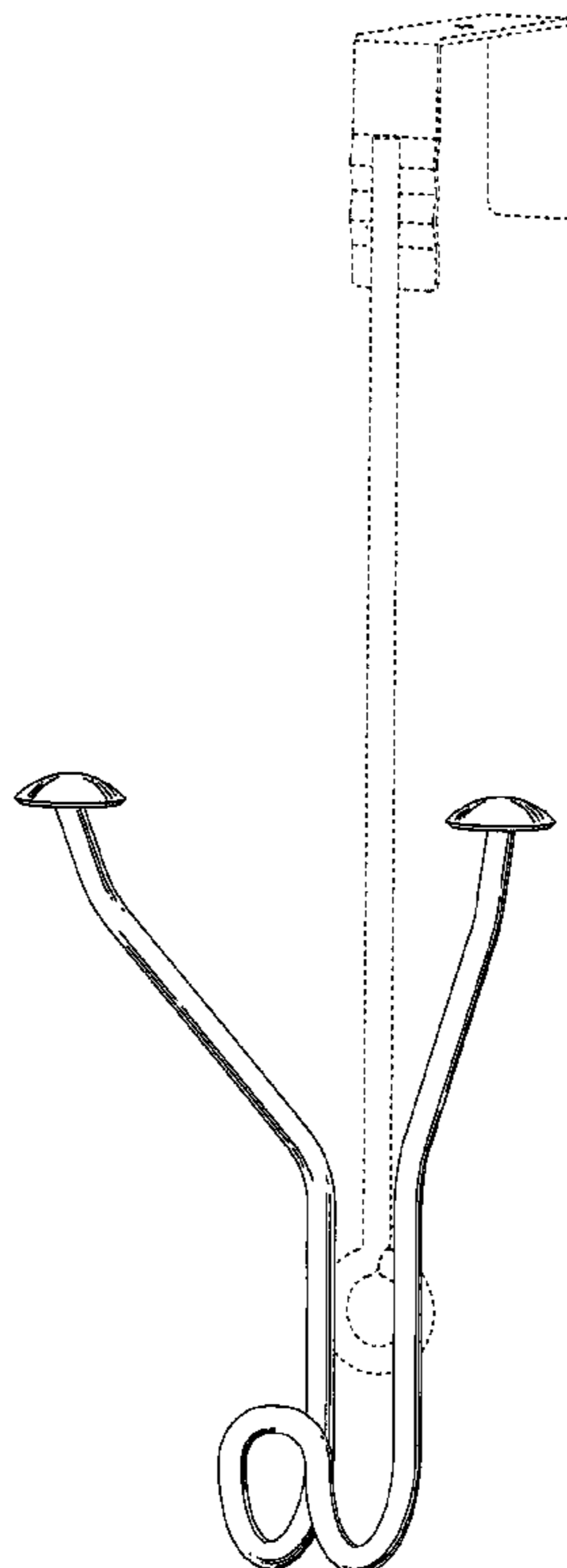
FIG. 12 is a right side elevational view thereof, the left side elevational view being a mirror image;

FIG. 13 is a bottom plan view thereof; and,

FIG. 14 is an alternate environmental, perspective view thereof.

The dotted-line showing in the drawings illustrates environmental matter and forms no part of the claimed design.

**1 Claim, 7 Drawing Sheets**



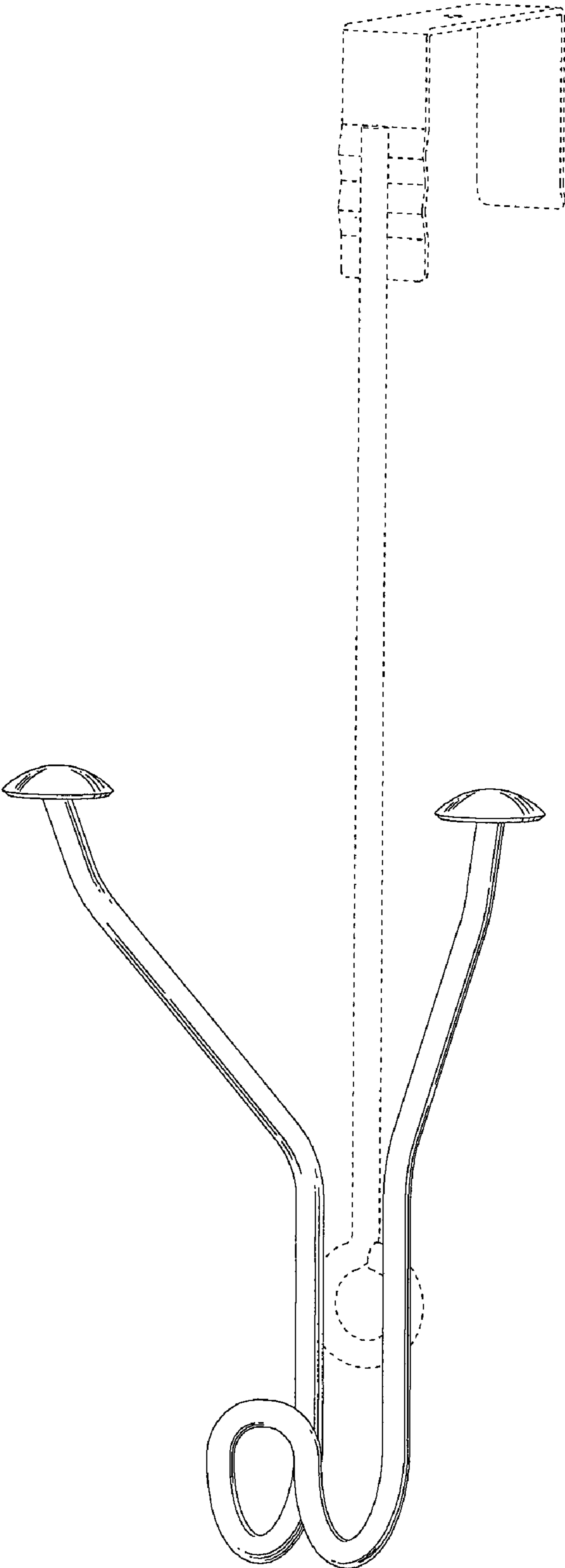


FIG. 1

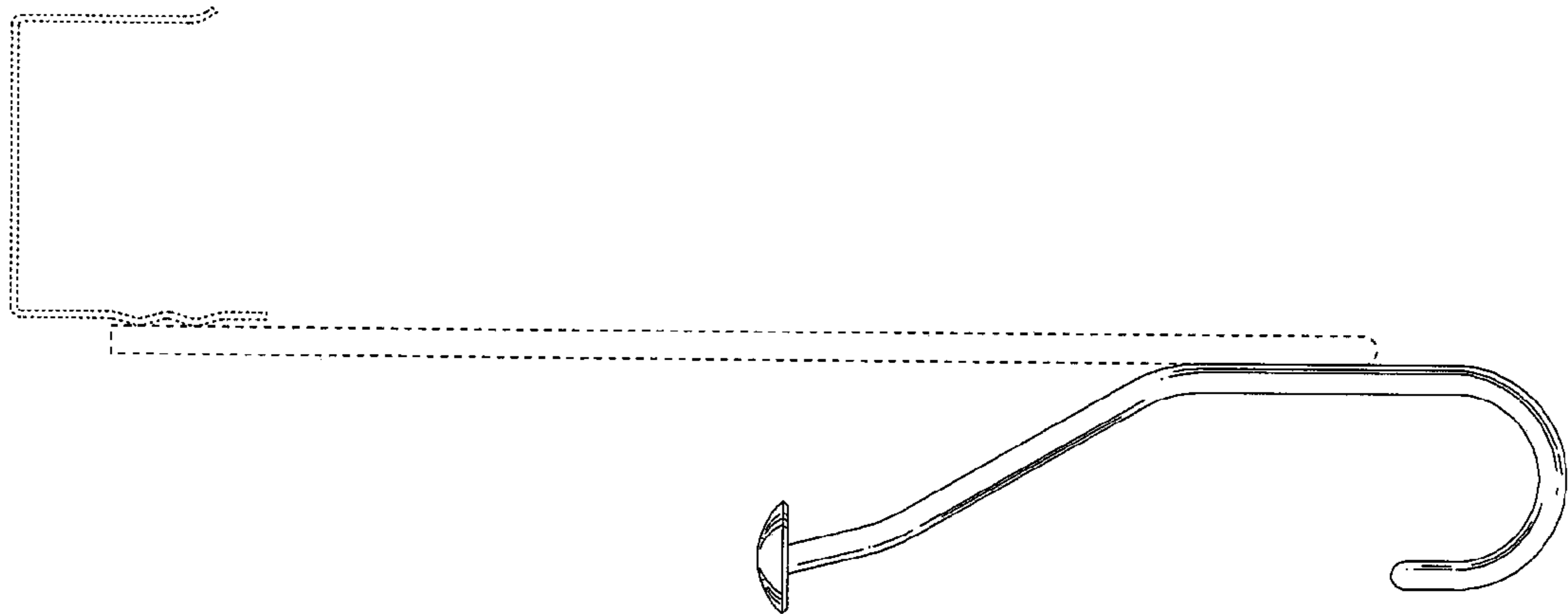


FIG. 2

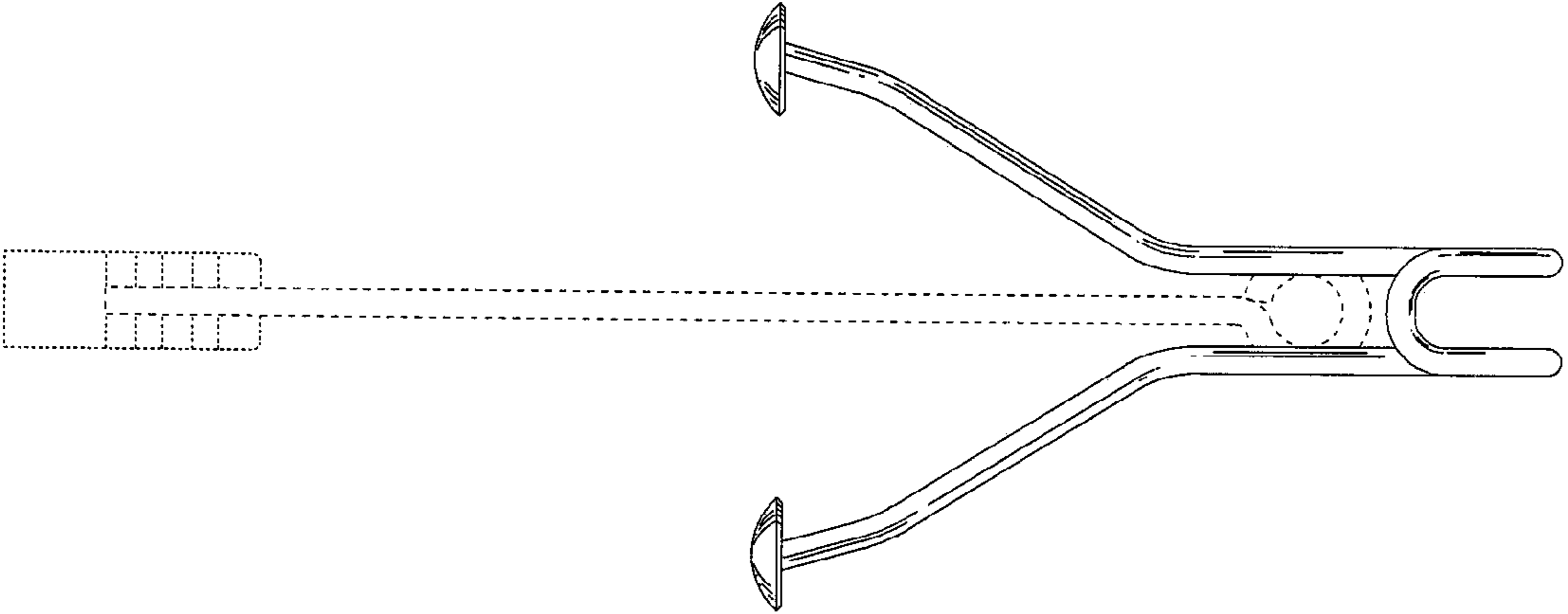


FIG. 3

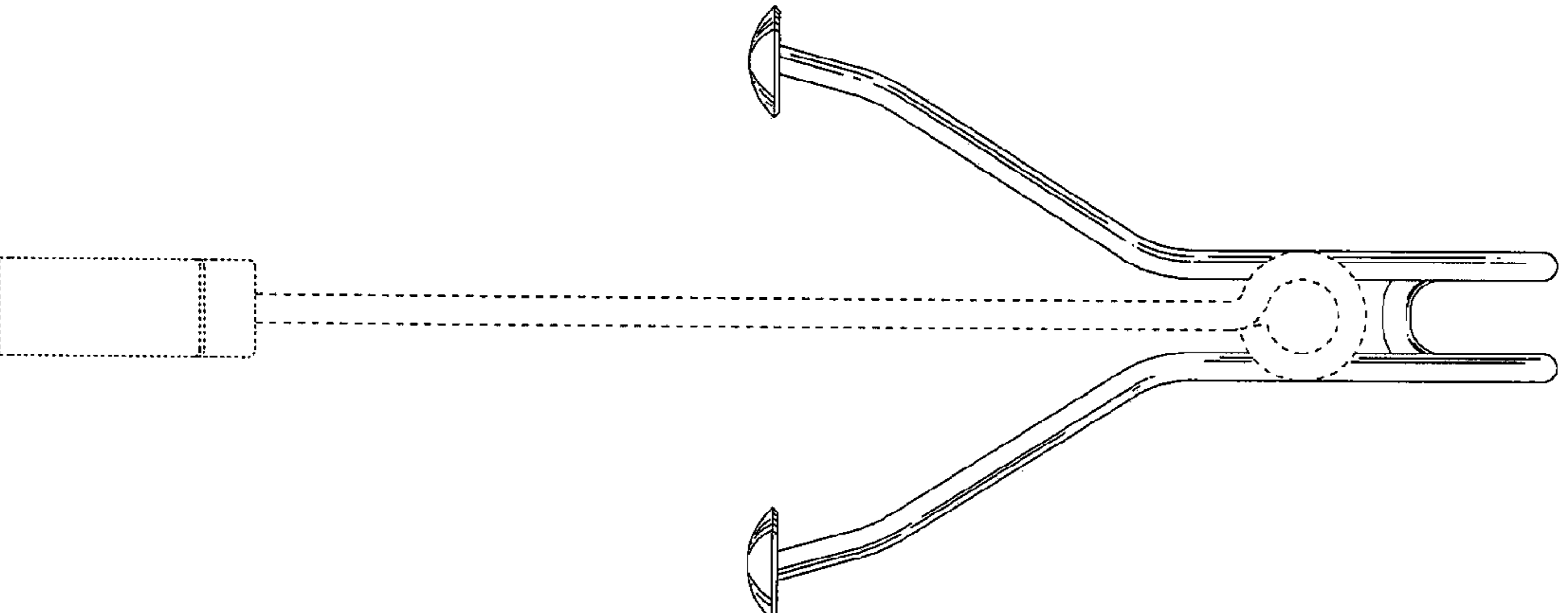
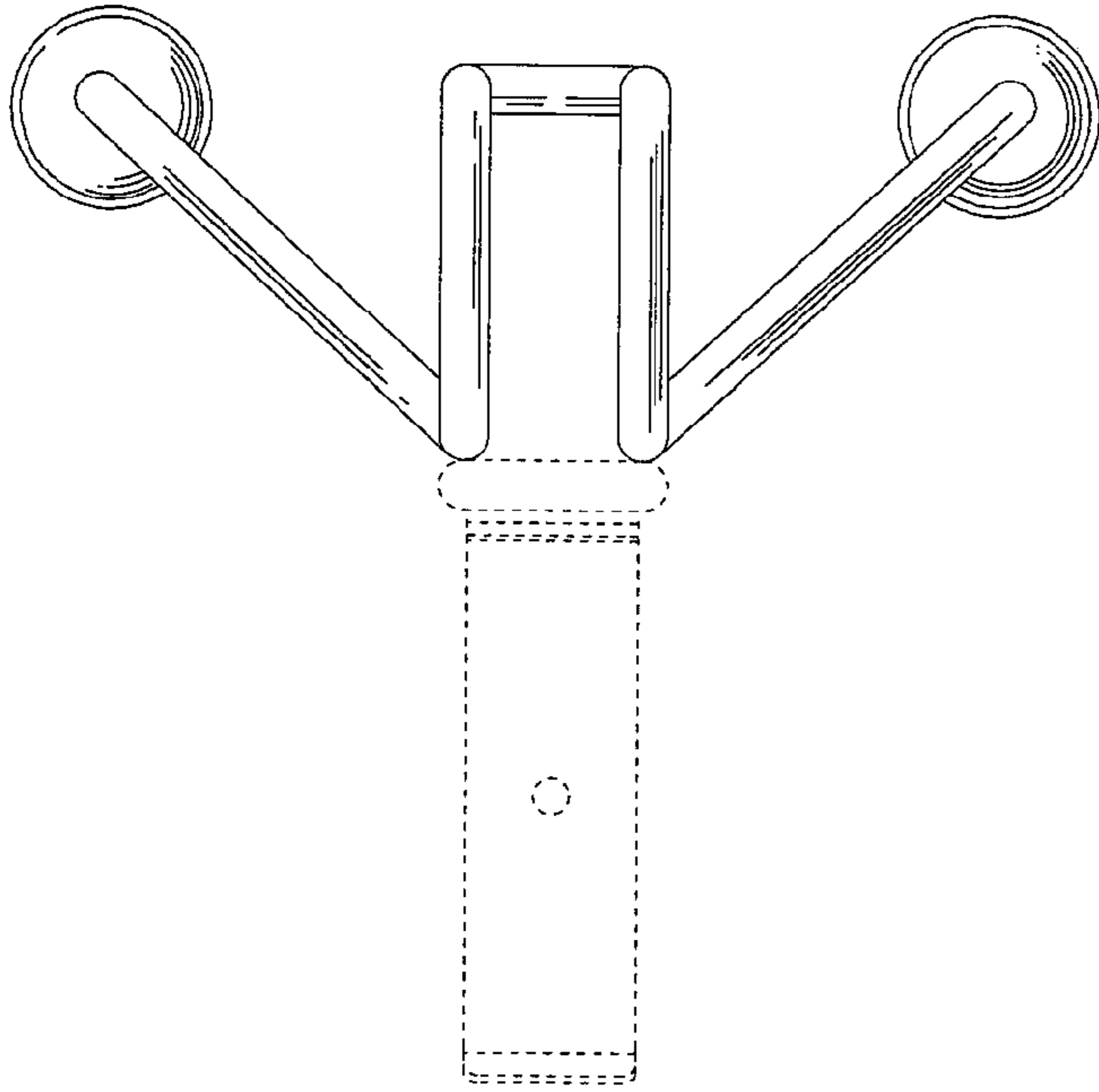
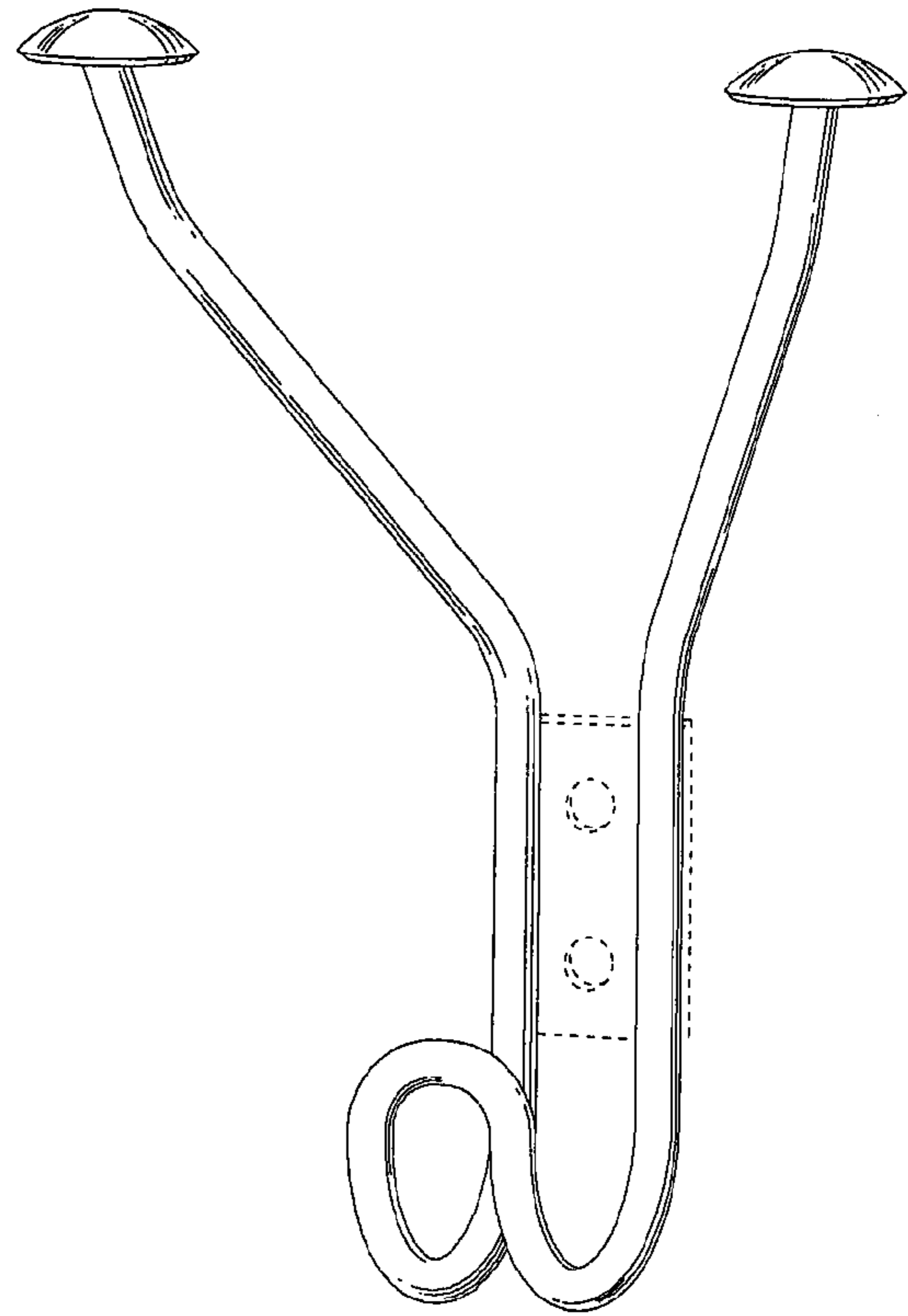


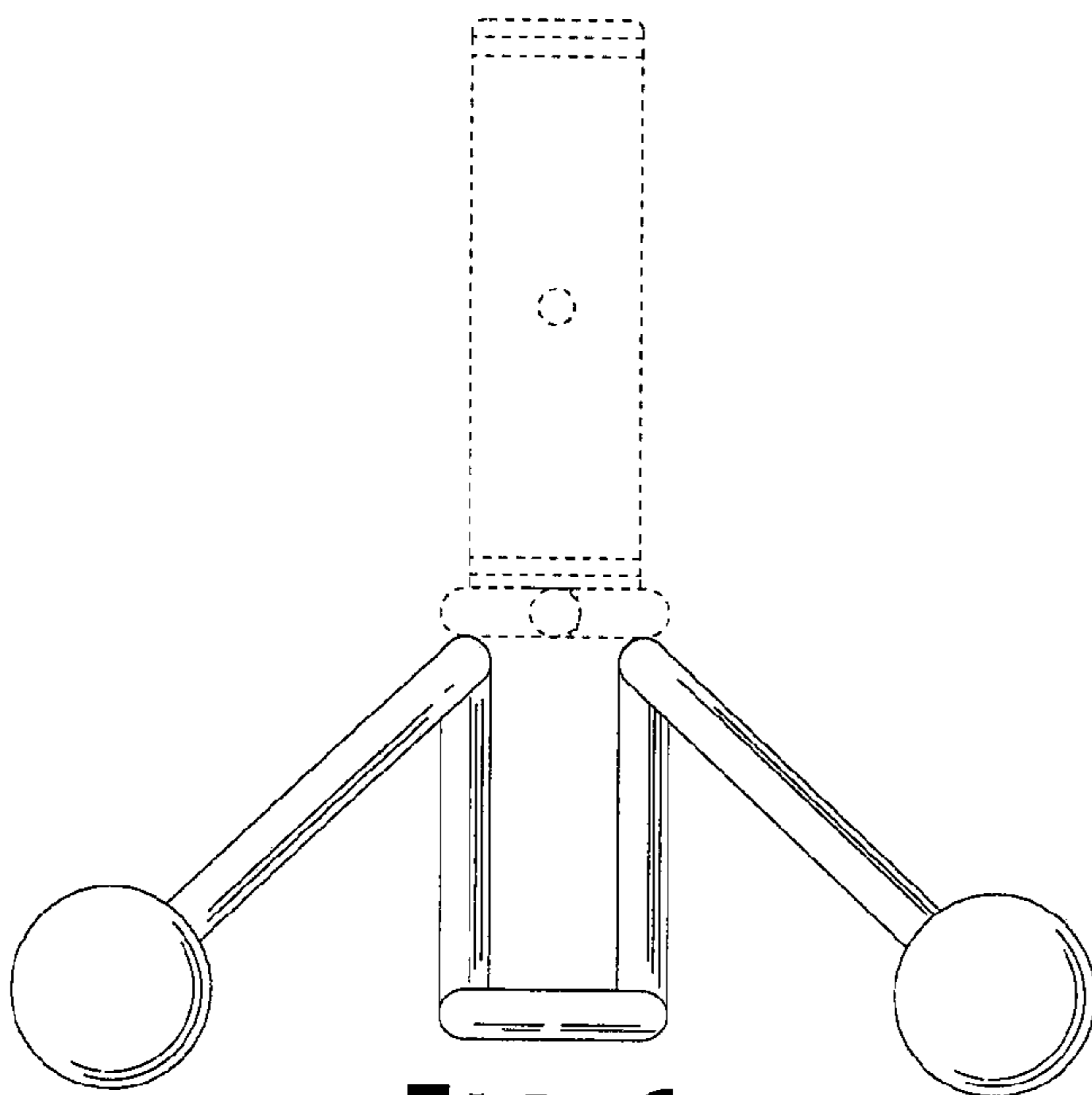
FIG. 4



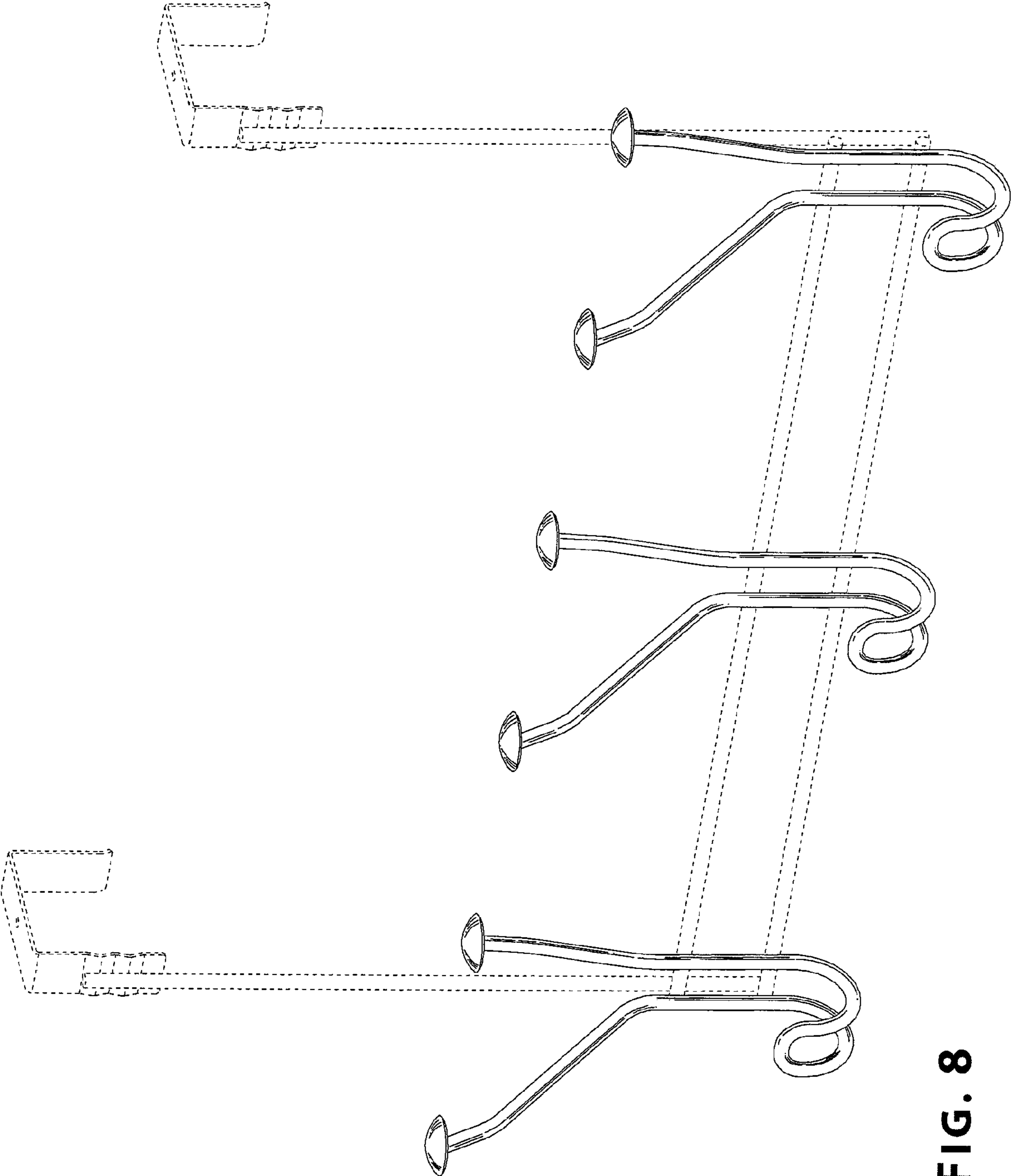
**FIG. 5**

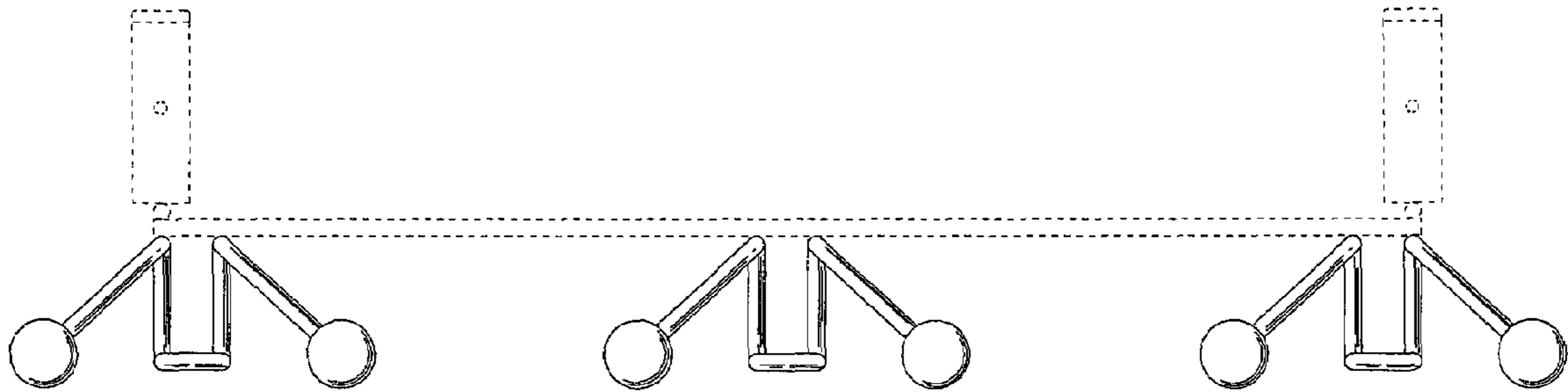


**FIG. 7**

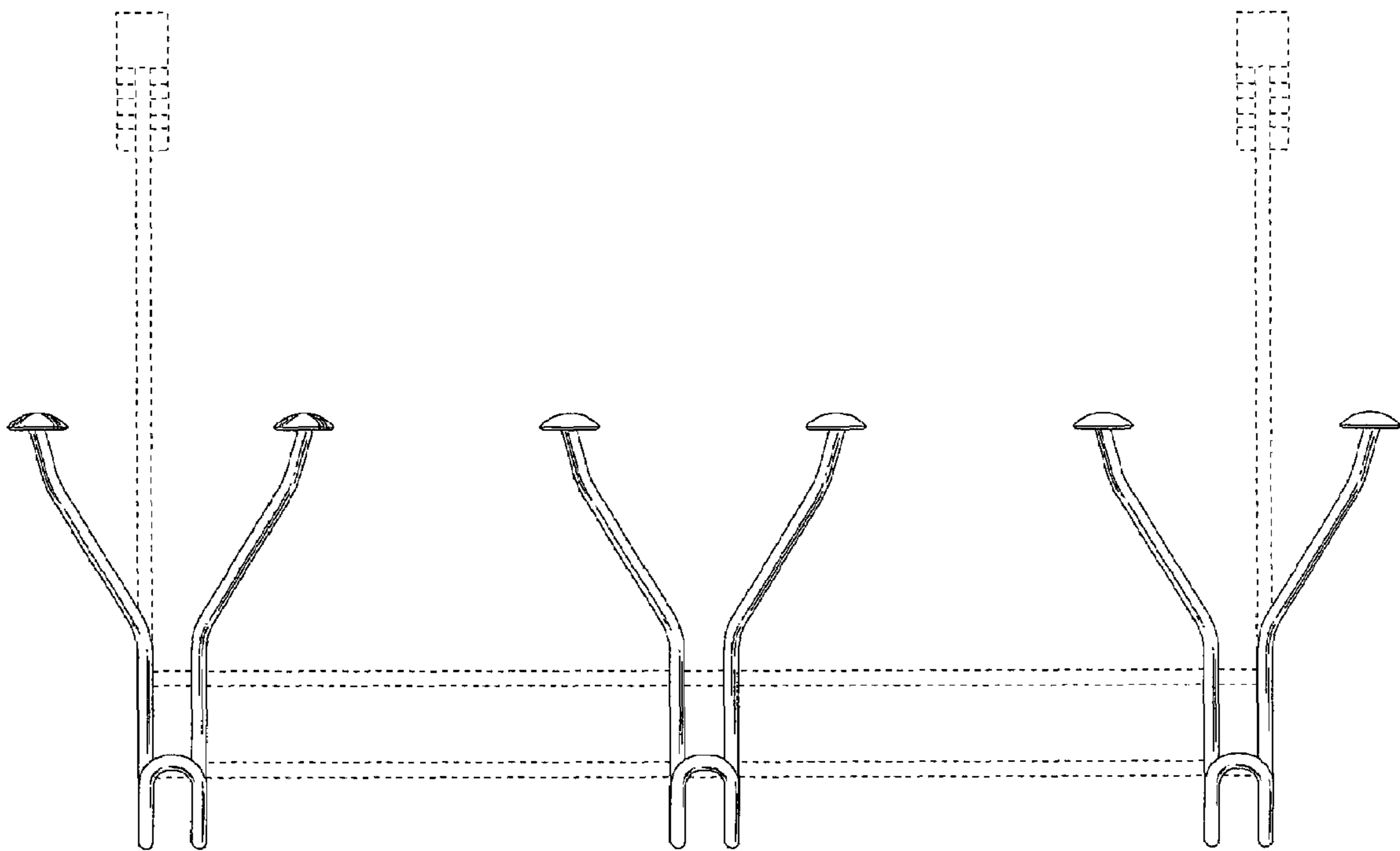


**FIG. 6**





**FIG. 9**



**FIG. 10**

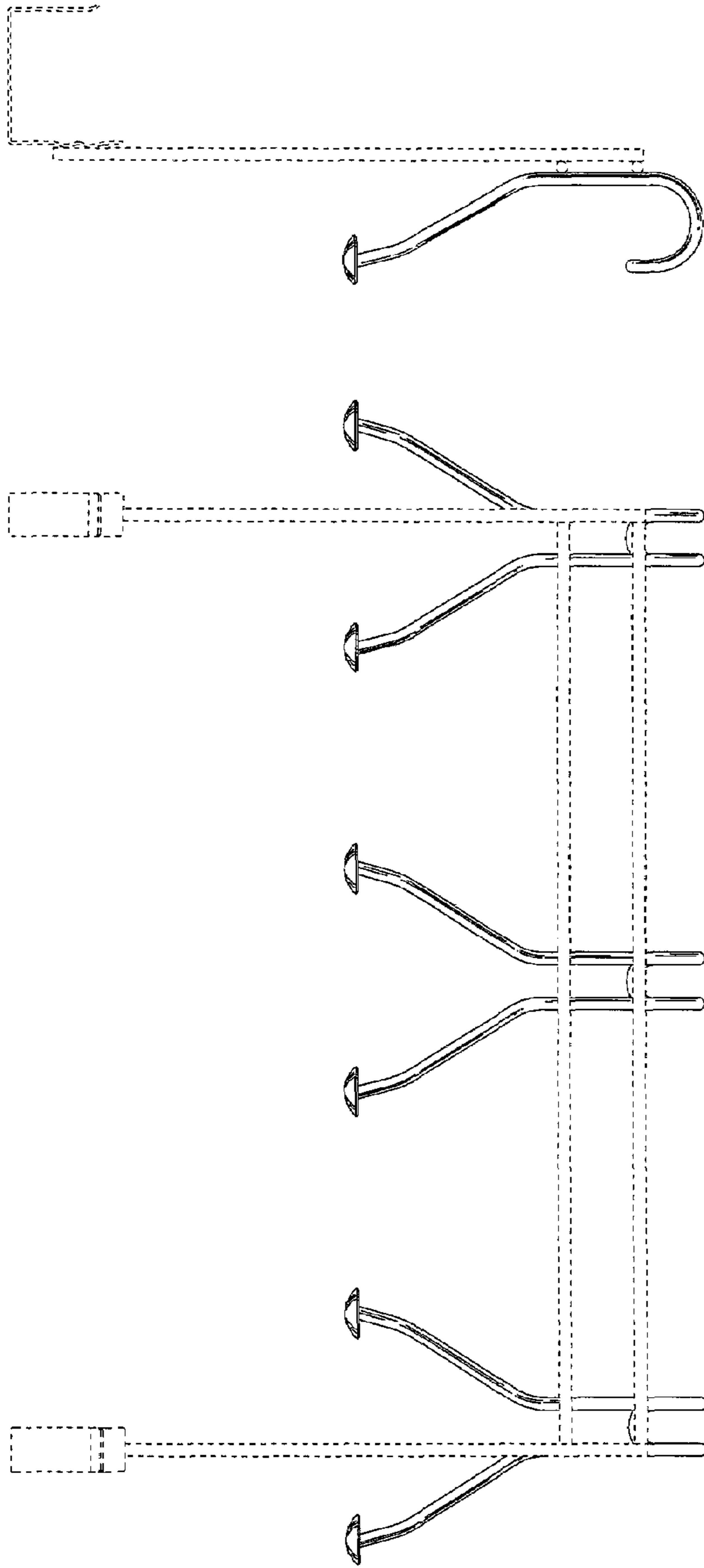


FIG. 11 FIG. 12

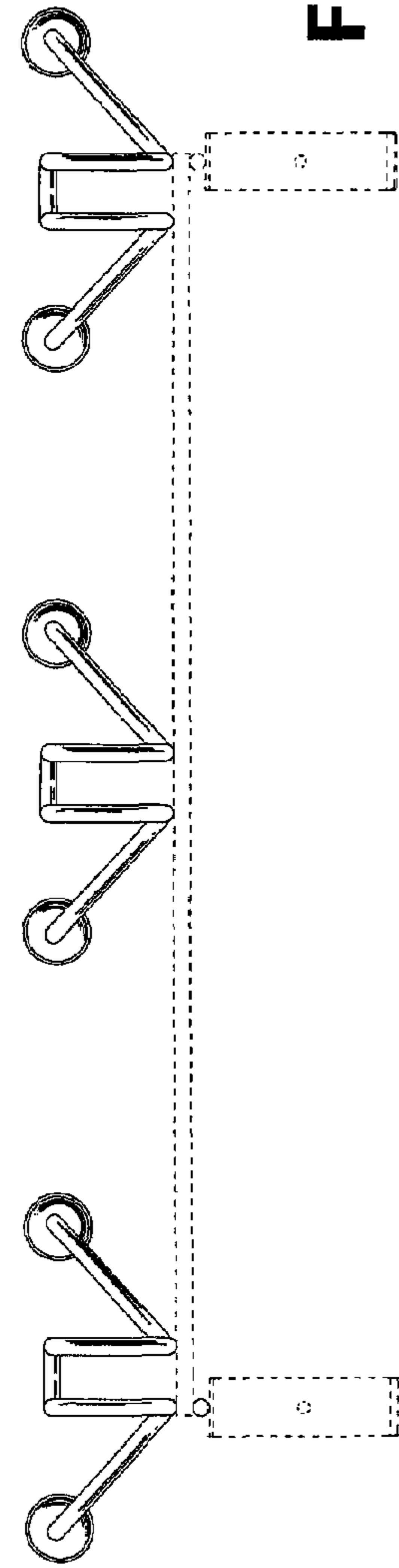
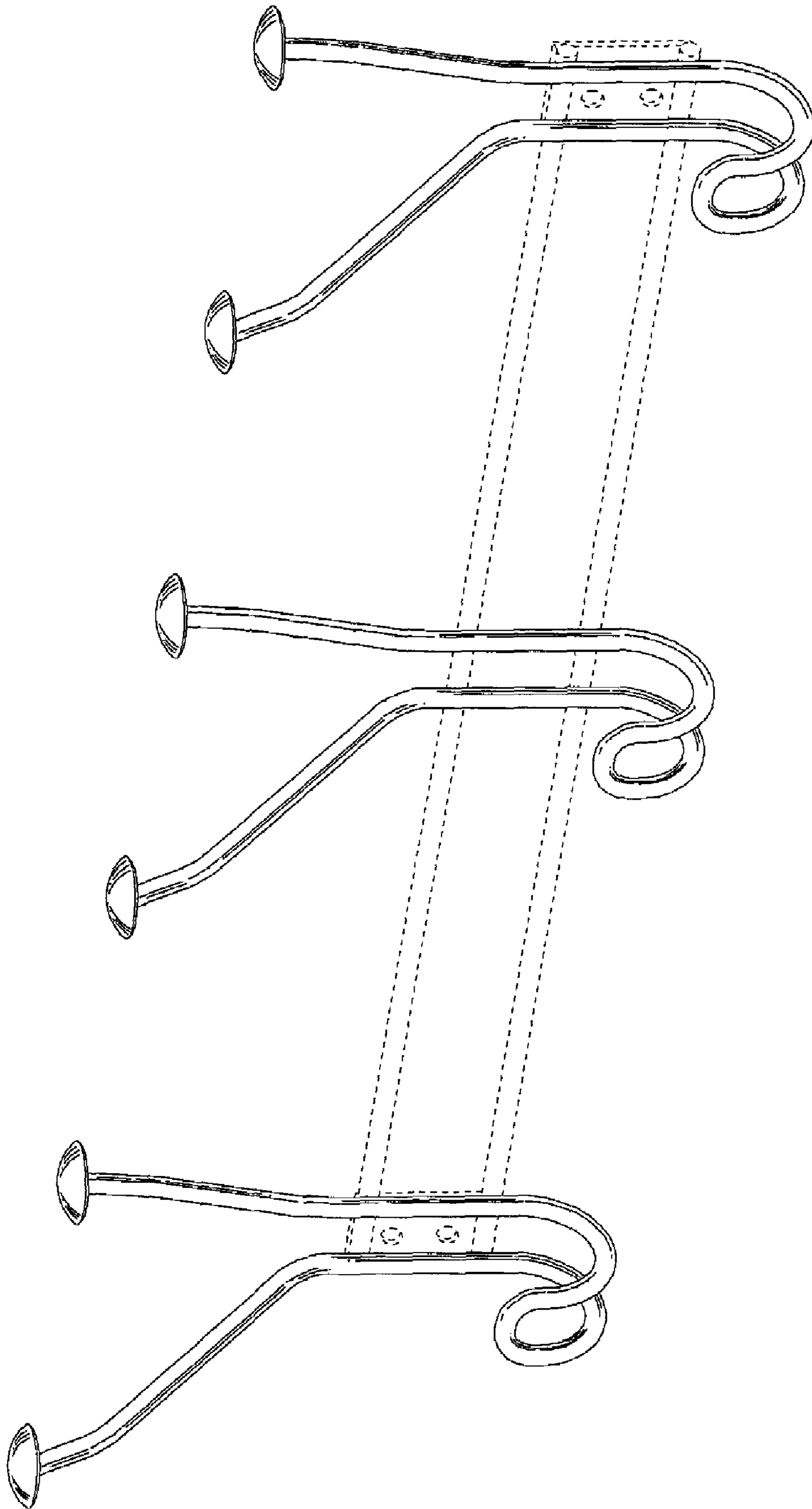


FIG. 13



**FIG. 14**