



US00D613585S

(12) **United States Design Patent**
Haddock

(10) **Patent No.:** **US D613,585 S**
(45) **Date of Patent:** **** Apr. 13, 2010**

(54) **DOOR LATCH WITH PURSE HOOK**

D345,096 S 3/1994 Shapiro
D365,015 S 12/1995 Avinger
5,542,723 A 8/1996 Scharf

(75) Inventor: **H. Blake Haddock**, La Quinta, CA (US)

(73) Assignee: **Blake Haddock, Inc.**, La Quinta, CA (US)

(Continued)

(**) Term: **14 Years**

(21) Appl. No.: **29/328,641**

(22) Filed: **Nov. 26, 2008**

(51) **LOC (9) Cl.** **08-05**

(52) **U.S. Cl.** **D8/367**

(58) **Field of Classification Search** D8/367,
D8/373; D6/323; 248/302–303, 339, 214–215
See application file for complete search history.

(56) **References Cited**

U.S. PATENT DOCUMENTS

140,234 A	6/1873	Ames et al.	
1,102,785 A	7/1914	Mohlberg	
1,220,717 A	3/1917	Bennett	
1,361,056 A	12/1920	Hickman	
D112,588 S	12/1938	Lowen	
D112,589 S	12/1938	Lowen	
D118,822 S	2/1940	Kaufman	
2,461,071 A	2/1949	Mettenleiter	
2,565,719 A	8/1951	Church	
2,692,108 A	10/1954	Neivert	
3,300,168 A	1/1967	Guadino	
3,376,006 A	4/1968	Zezula	
3,589,761 A	6/1971	Lambert	
4,025,016 A	5/1977	Brothers	
D248,541 S *	7/1978	Oberg D8/372
D255,774 S	7/1980	Soucy	
4,330,146 A	5/1982	Sessions, Jr.	
4,405,109 A	9/1983	Murdoch	
5,007,609 A *	4/1991	Bredovskis 248/303
D321,639 S	11/1991	Adams	
5,094,417 A	3/1992	Creed	
D343,521 S *	1/1994	Wigley, Sr. D6/317

OTHER PUBLICATIONS

Hollywood Purse Hook, available at <http://www.hollywoodpursehook.com>, 2007, last visited Mar. 31, 2009.

Primary Examiner—Holly H Baynham

(74) *Attorney, Agent, or Firm*—Knobbe, Martens, Olson & Bear, LLP

(57) **CLAIM**

The ornamental design for a door latch with purse hook, as shown and described.

DESCRIPTION

FIG. 1 is a top perspective view of a door latch with purse hook;

FIG. 2 is a bottom perspective view of the door latch with purse hook of FIG. 1;

FIG. 3 is a front elevational view of the door latch with purse hook of FIG. 1;

FIG. 4 is a back elevational view of the door latch with purse hook of FIG. 1;

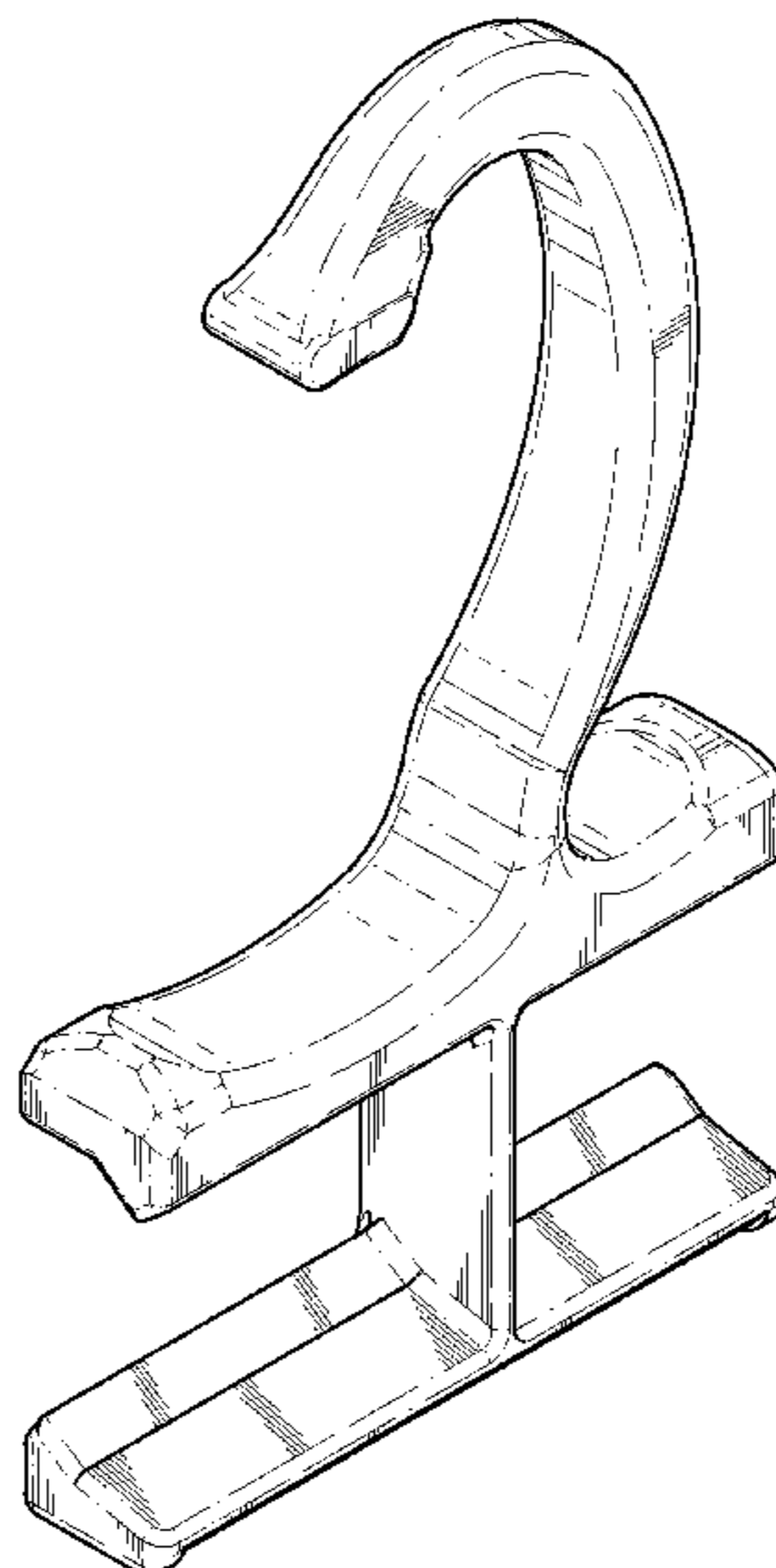
FIG. 5 is a left elevational view of the door latch with purse hook of FIG. 1;

FIG. 6 is a right elevational view of the door latch with purse hook of FIG. 1;

FIG. 7 is a top plan view of the door latch with purse hook of FIG. 1; and,

FIG. 8 is a bottom plan view of the door latch with purse hook of FIG. 1.

1 Claim, 6 Drawing Sheets



US D613,585 S

Page 2

U.S. PATENT DOCUMENTS

5,810,404	A	9/1998	Horne et al.	7,322,554	B2	1/2008	Caroselli et al.
6,345,796	B1	2/2002	Neuman	D569,714	S	5/2008	Stewart et al.
6,364,260	B1	4/2002	Lorincz et al.	7,389,966	B1	6/2008	Hunter
D457,808	S	5/2002	Williams	D576,021	S	9/2008	Goodman et al.
6,481,680	B2	11/2002	Neuman	2003/0038220	A1	2/2003	Catan
6,682,032	B1	1/2004	Bradlee	2004/0200940	A1	10/2004	Pacheco
6,802,483	B1	10/2004	Leasure	2006/0000069	A1	1/2006	Mair
7,017,959	B2	3/2006	Selness	2006/0022105	A1	2/2006	MacKay
7,175,143	B1	2/2007	Ho	2007/0063120	A1	3/2007	Robbins
7,234,671	B2	6/2007	Avinger	2007/0114350	A1	5/2007	Sorci
				2008/0054139	A1	3/2008	Fabbri

* cited by examiner

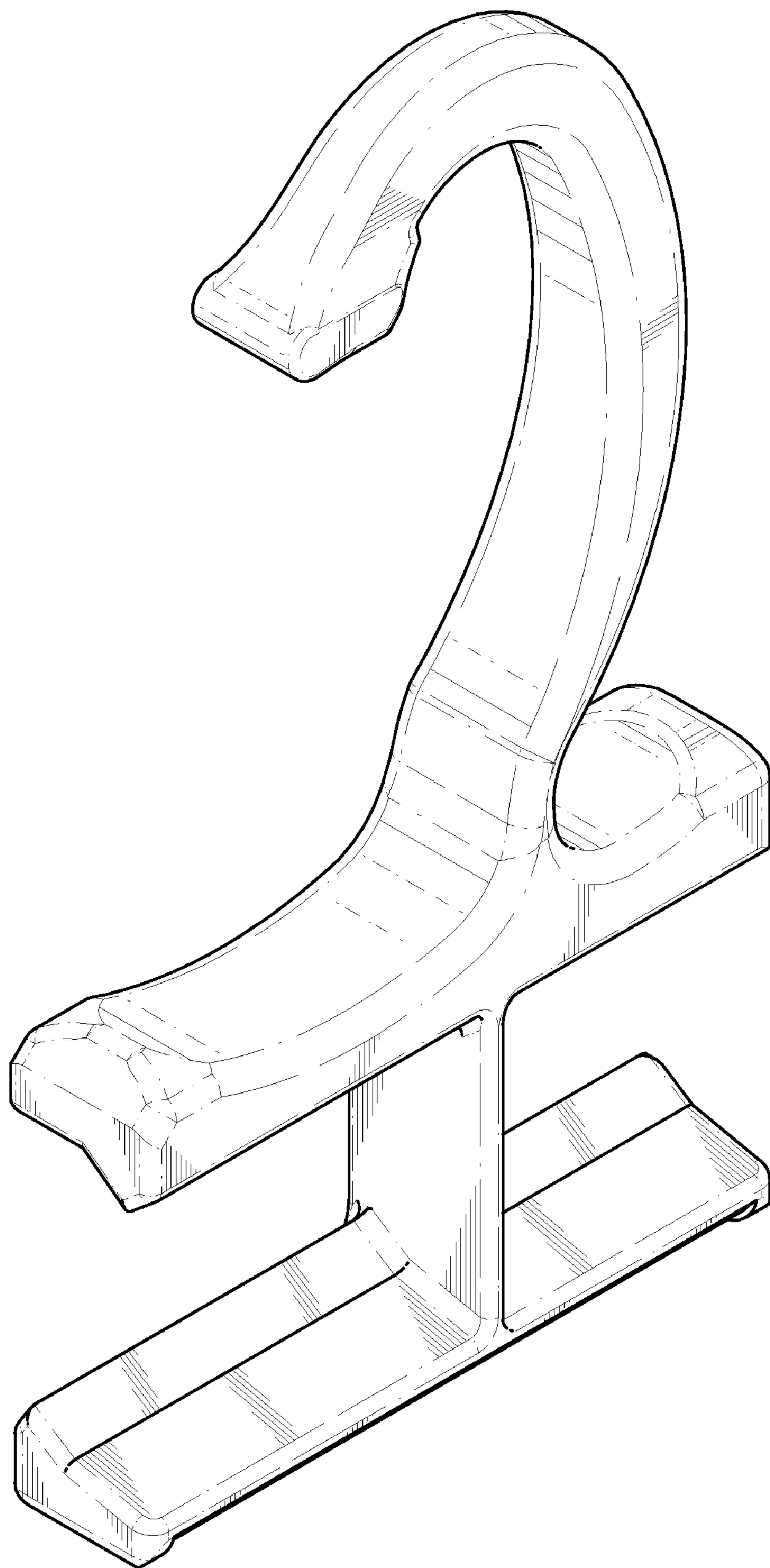


FIG. 1

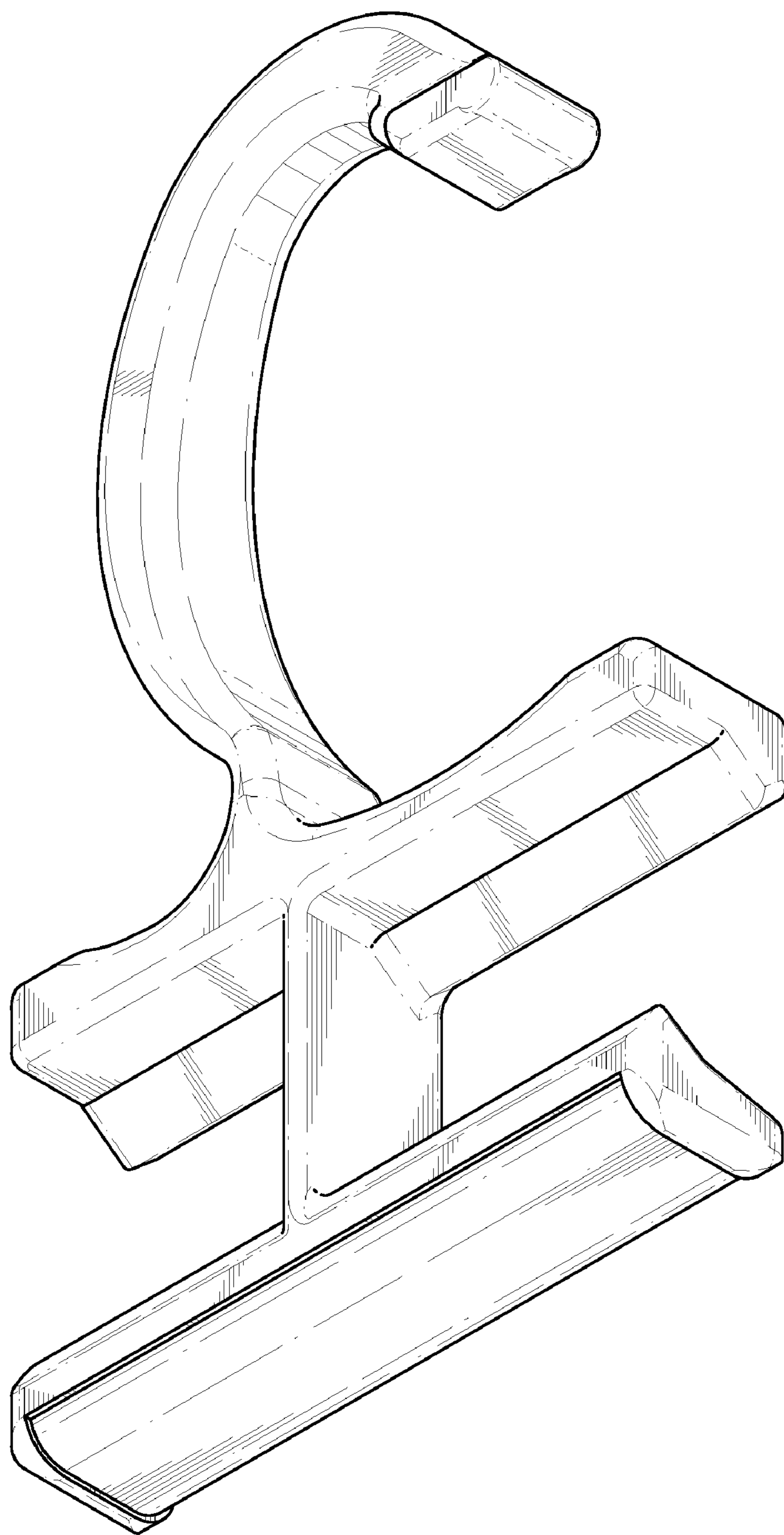


FIG. 2

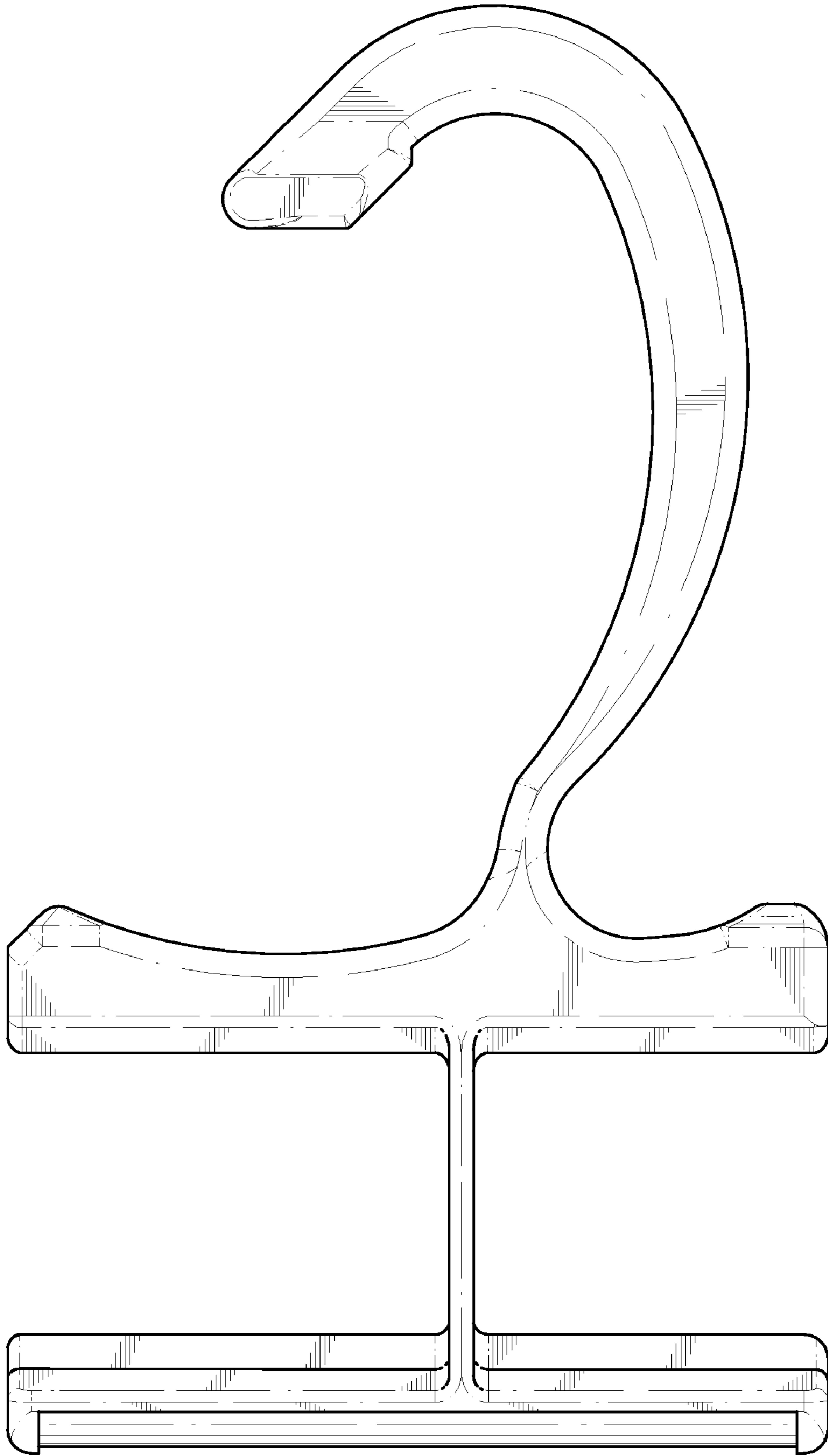


FIG. 3

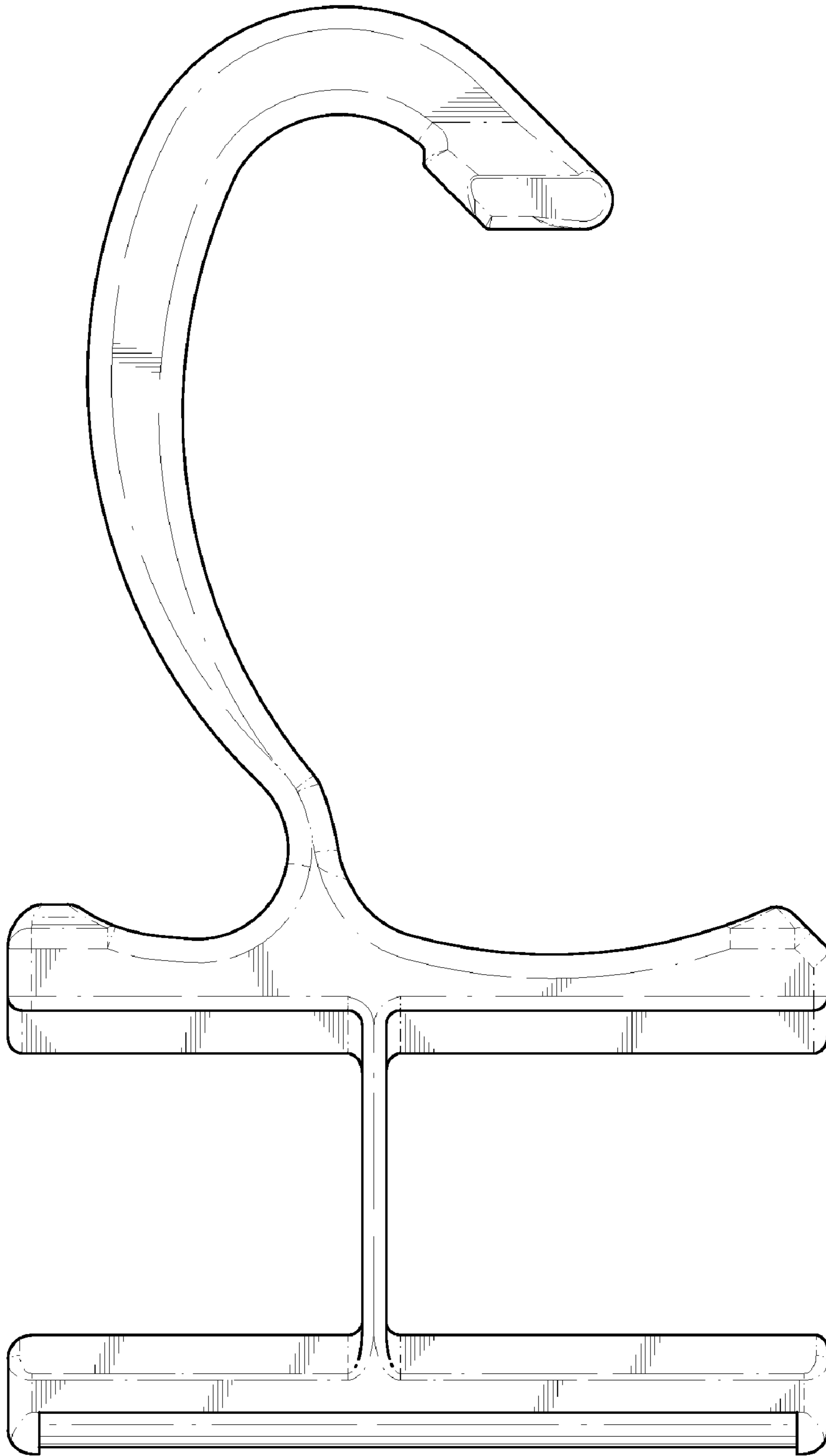


FIG. 4

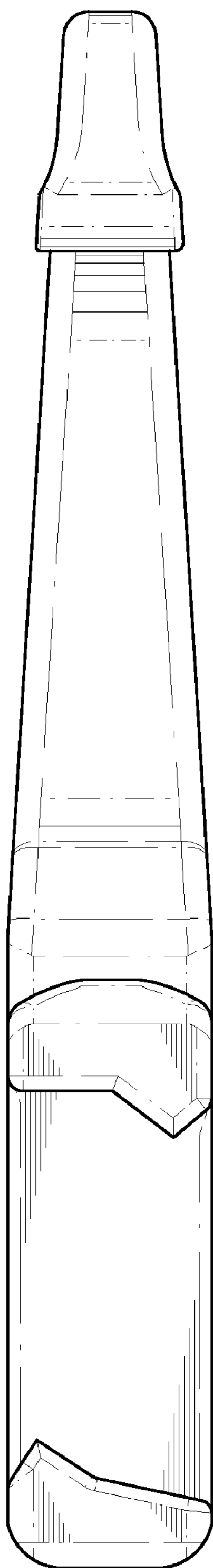


FIG. 5

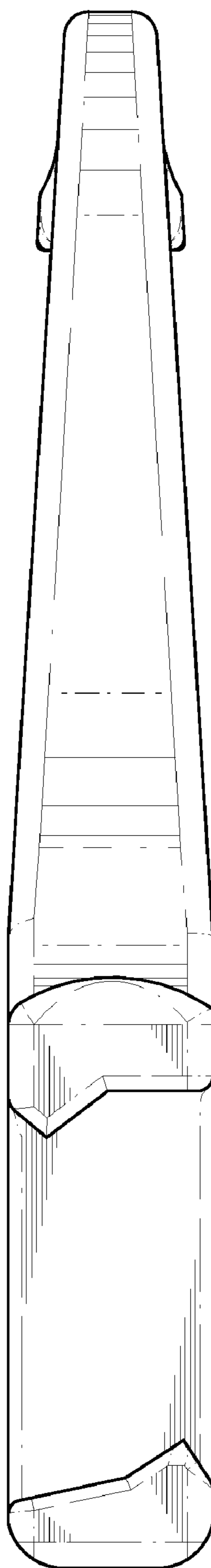


FIG. 6

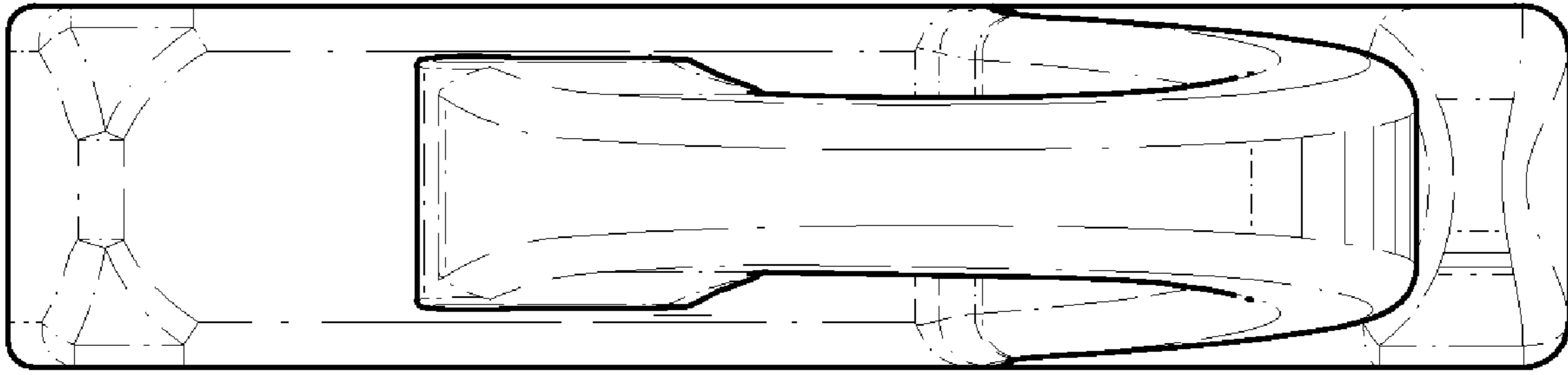


FIG. 7

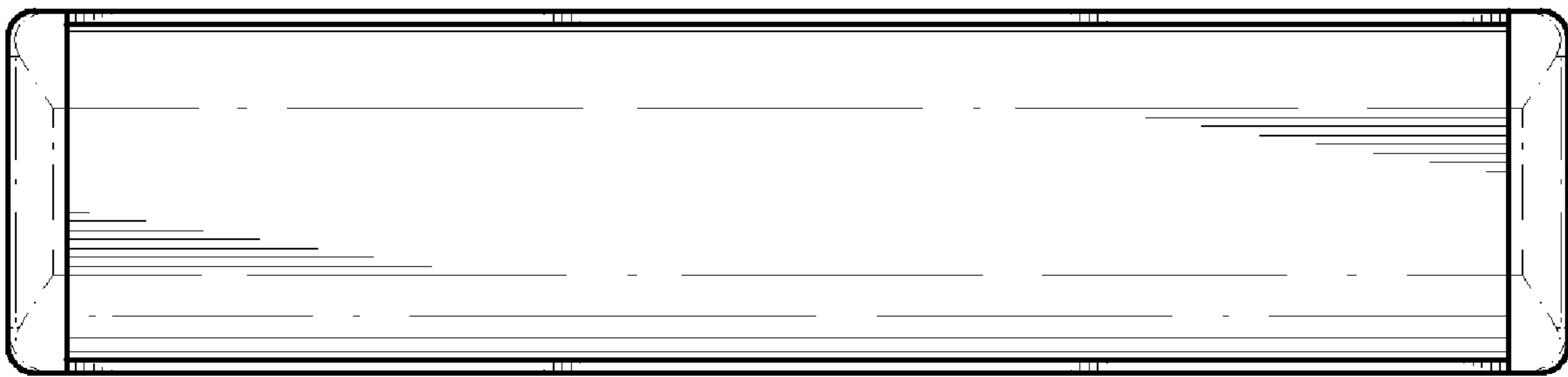


FIG. 8