



US00D613584S

(12) **United States Design Patent**  
**Kelleghan**

(10) **Patent No.:** **US D613,584 S**  
(45) **Date of Patent:** **\*\* Apr. 13, 2010**

(54) **ANGLE CARABINER**

D441,473 S 5/2001 Parsons et al.  
6,357,890 B1 3/2002 Parsons et al.

(75) Inventor: **Brian James Kelleghan**, Longmont, CO  
(US)

(73) Assignee: **Bison Designs, LLC**, Longmont, CO  
(US)

(Continued)

(\*\*) Term: **14 Years**

(21) Appl. No.: **29/340,484**

(22) Filed: **Jul. 20, 2009**

(51) **LOC (9) Cl.** ..... **08-08**

(52) **U.S. Cl.** ..... **D8/356**

(58) **Field of Classification Search** ..... D8/105,  
D8/107, 333, 349, 356, 358, 357, 367, 372,  
D8/373, 383; D11/200, 215; 24/573.11,  
24/579.09, 579.11, 592.11, 599.1, 599.9,  
24/600.1; 182/5; D10/63, 64, 65, 71, 74;  
7/107, 164; 33/403, 487

See application file for complete search history.

(56) **References Cited**

**U.S. PATENT DOCUMENTS**

827,989	A *	8/1906	Noble	33/474
1,356,431	A *	10/1920	Eddy	7/164
1,840,135	A *	1/1932	Schutt	7/164
2,836,892	A *	6/1958	Nisenson	33/1 N
D185,921	S *	8/1959	Draper	D32/42
4,068,386	A	1/1978	Streeter	
4,805,315	A *	2/1989	Nesbitt	33/535
D313,762	S *	1/1991	Chan et al.	D10/62
D355,859	S *	2/1995	Schroeder	D10/64
D364,574	S	11/1995	Utz et al.	
D369,981	S *	5/1996	Hayes et al.	D10/65
D416,501	S *	11/1999	DiGangi et al.	D10/62
D419,251	S	1/2000	Parsons et al.	
6,026,581	A	2/2000	Gruetzmacher	
D422,731	S	4/2000	Parsons et al.	
D425,437	S *	5/2000	Defelice	D10/65
6,190,018	B1	2/2001	Parsons et al.	
D440,889	S *	4/2001	Frescas	D10/62

**OTHER PUBLICATIONS**

Triangle, Scan of website [http://www.bisondesigns.com/mm5/merchant.mvc?Screen=PROD&Store\_Code=BD&Product\_Code=13TRI&Category\_Code=] showing prior art carabiner sold by by Bison Designs. Carabiner shown is to current design by Applicant, doc dated Aug. 28, 2009.

*Primary Examiner*—Robert M Spear

*Assistant Examiner*—Karen Acker

(74) *Attorney, Agent, or Firm*—Margaret Polson; Opendahl Patent Law Firm LLC

(57) **CLAIM**

The ornamental design for an angle carabiner, as shown and described.

**DESCRIPTION**

FIG. 1 is a top plan view of my new design for an angle carabiner;

FIG. 2 is a the bottom plan view of FIG. 1.

FIG. 3 is a front side elevation view of FIG. 1.

FIG. 4 is a rear side elevation view of FIG. 1.

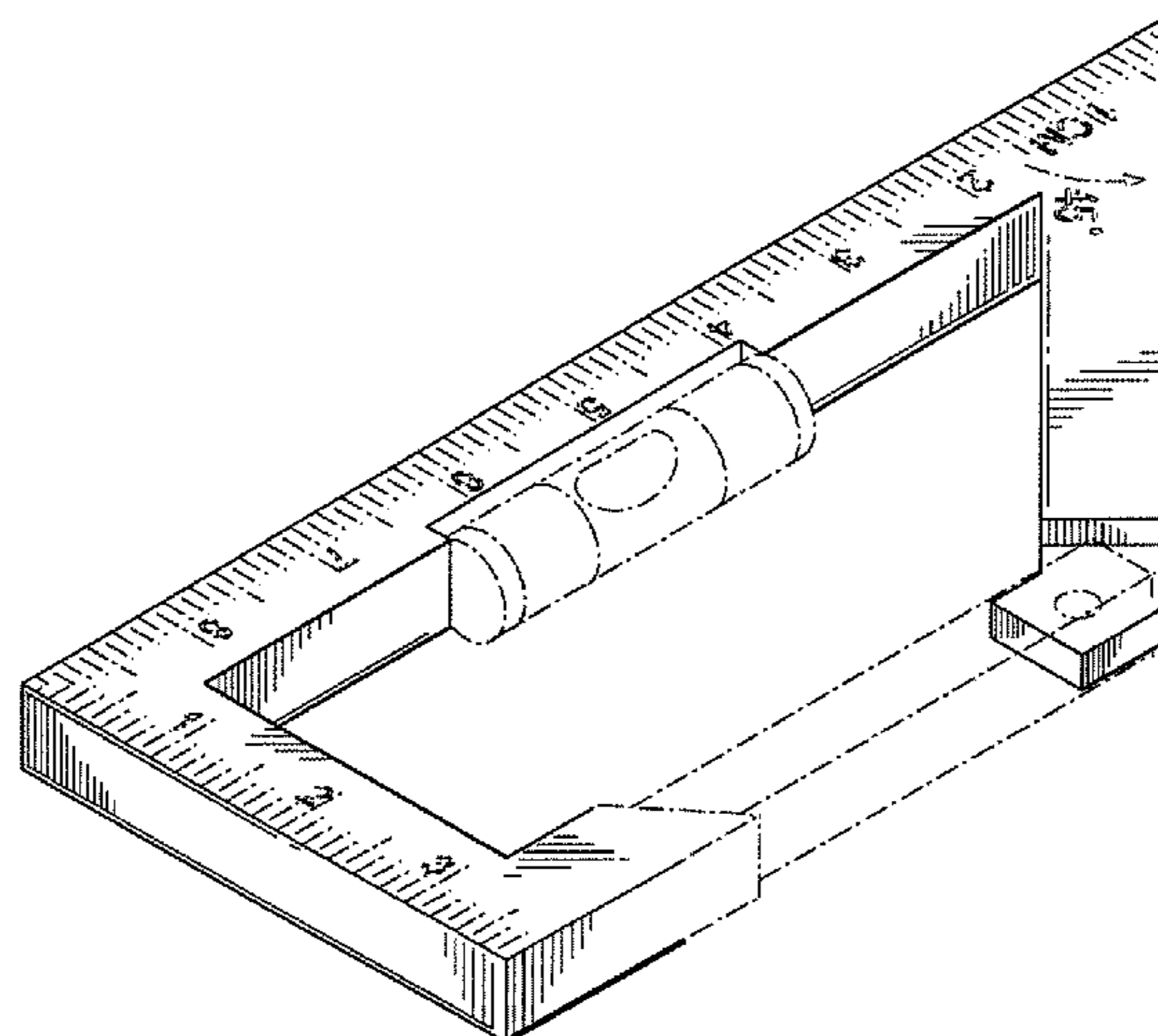
FIG. 5 is a left side elevation view of FIG. 1.

FIG. 6 is a right side elevation view of FIG. 1; and,

FIG. 7 is a top perspective view of FIG. 1.

The broken lines in the drawing represent unclaimed environmental material.

**1 Claim, 2 Drawing Sheets**



# US D613,584 S

Page 2

---

## U.S. PATENT DOCUMENTS

D457,304 S	5/2002	Yuen	
D459,338 S	6/2002	Sterzick	
D462,891 S *	9/2002	Kelleghan .....	D8/372
D466,422 S	12/2002	Luquire	
D469,023 S	1/2003	Mah	
D471,305 S	3/2003	Luquire	
D474,095 S *	5/2003	Luquire .....	D8/99
D475,591 S	6/2003	Luquire	
6,588,076 B1	7/2003	Choate	
D478,823 S	8/2003	Kelleghan	
D480,492 S	10/2003	Wu	
D483,519 S	12/2003	Liu et al.	
6,688,259 B2	2/2004	Axel	
6,715,898 B1	4/2004	Huang	
D511,698 S *	11/2005	Allemand .....	D10/65
D515,903 S *	2/2006	Kelleghan .....	D8/105
D527,988 S *	9/2006	Shetler .....	D8/356
7,111,349 B2 *	9/2006	Goldberg .....	7/164
D529,789 S *	10/2006	Klecker .....	D8/356
D537,369 S	2/2007	Bao	
7,353,571 B2	4/2008	Goldberg	
D590,699 S *	4/2009	Szymanski et al. ....	D8/373
7,530,131 B1 *	5/2009	Conrique .....	7/158
2005/0002519 A1	1/2005	Goldberg	
2005/0028331 A1	2/2005	Axel	
2005/0278907 A1	12/2005	DiMarchi et al.	

\* cited by examiner

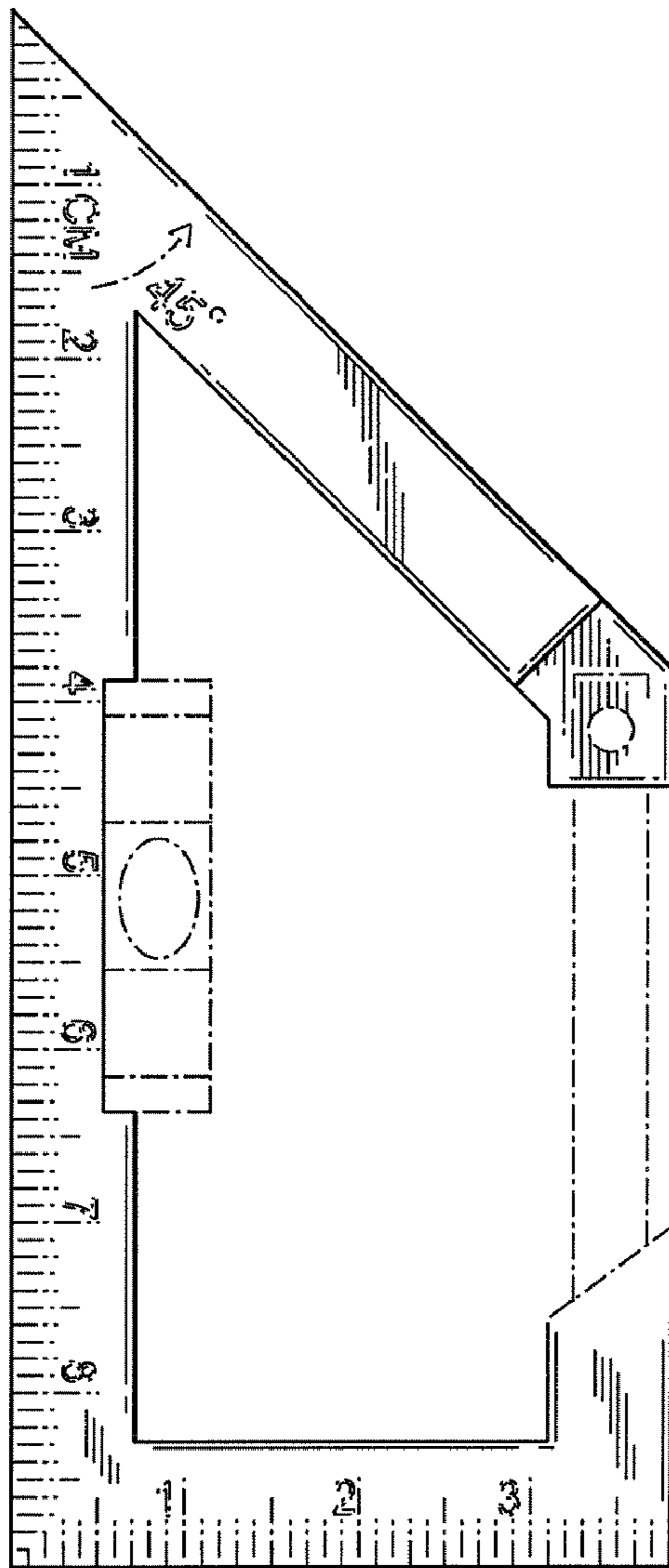


FIG.1

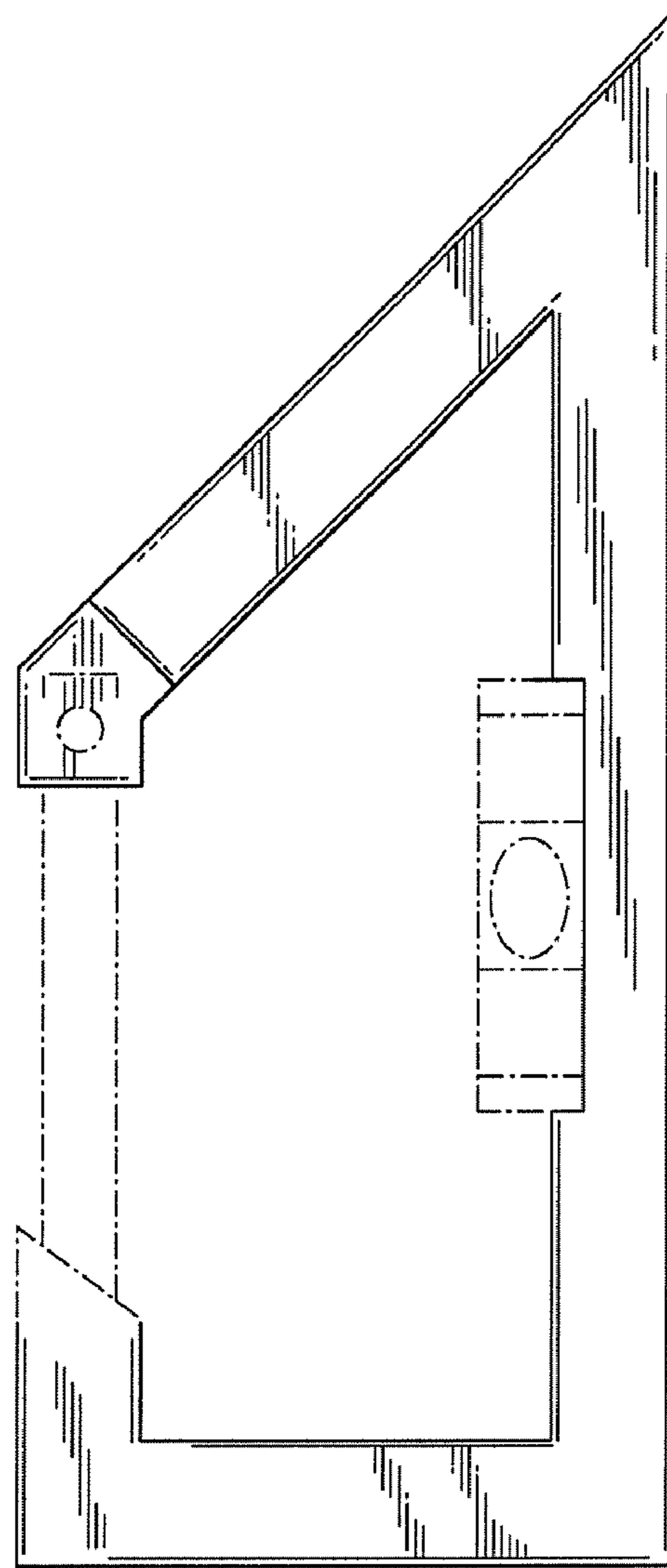


FIG.2

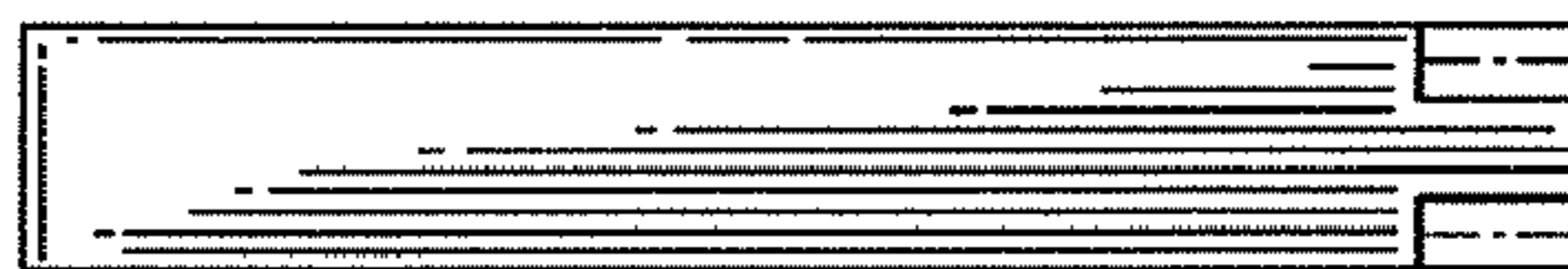


FIG.3

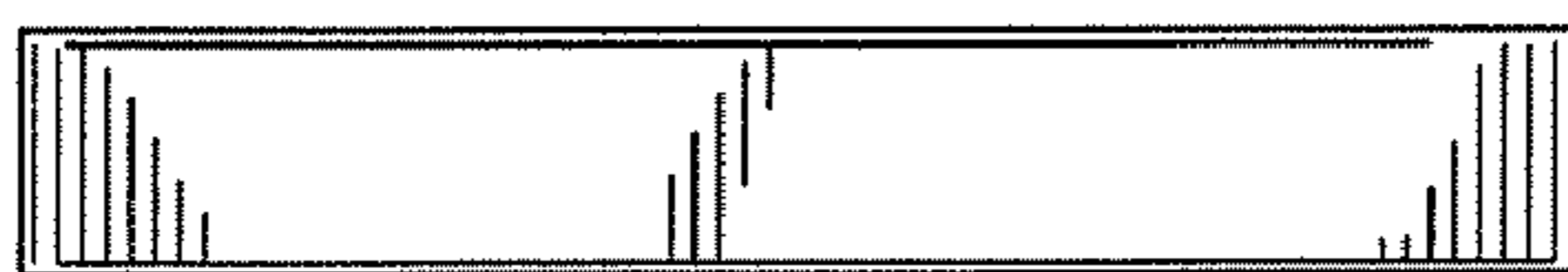


FIG.4



FIG. 5



FIG. 6

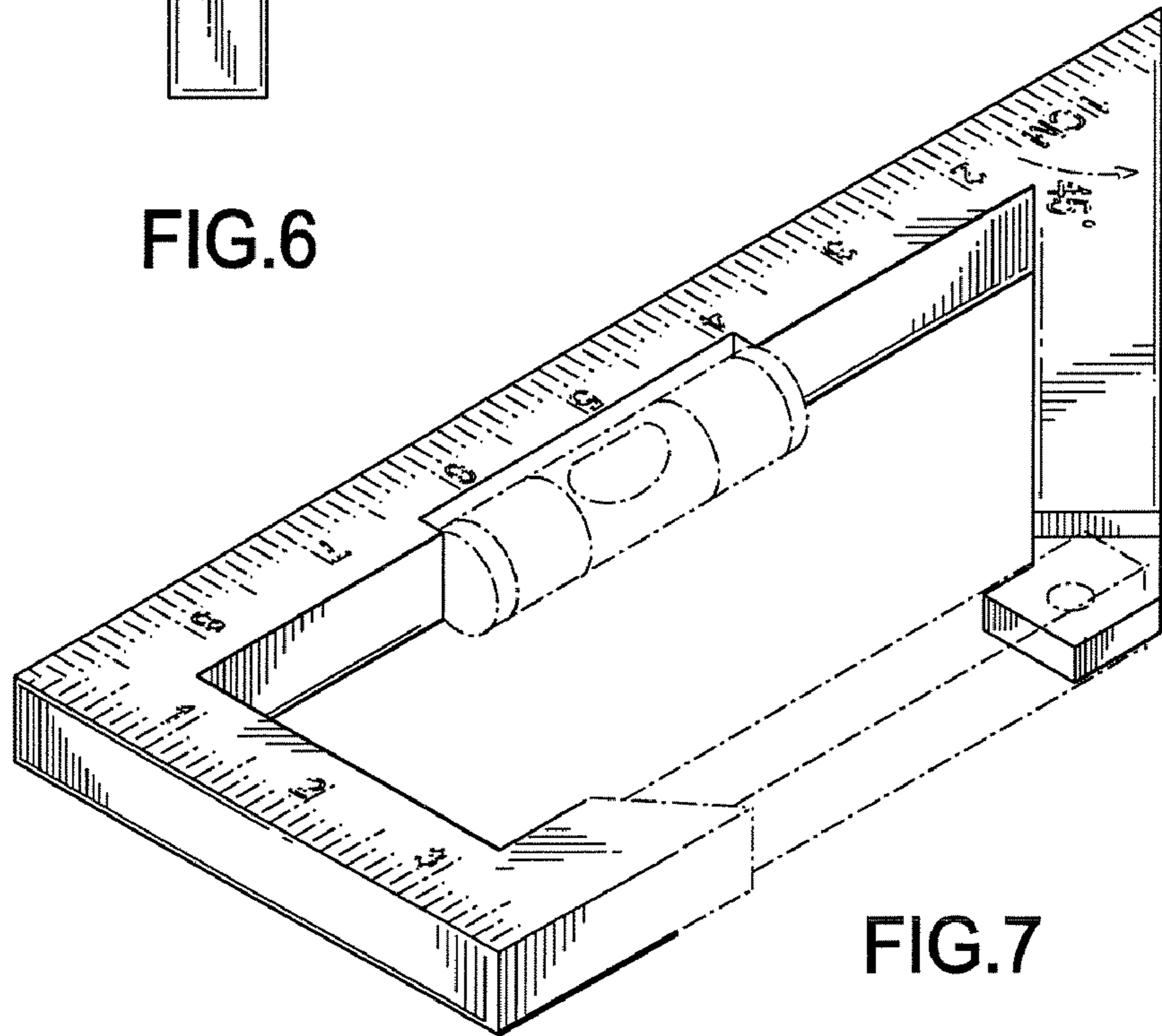


FIG. 7

UNITED STATES PATENT AND TRADEMARK OFFICE  
**CERTIFICATE OF CORRECTION**

PATENT NO. : Des. 613,584 S  
APPLICATION NO. : 29/340484  
DATED : April 13, 2010  
INVENTOR(S) : Kelleghan

Page 1 of 1

It is certified that error appears in the above-identified patent and that said Letters Patent is hereby corrected as shown below:

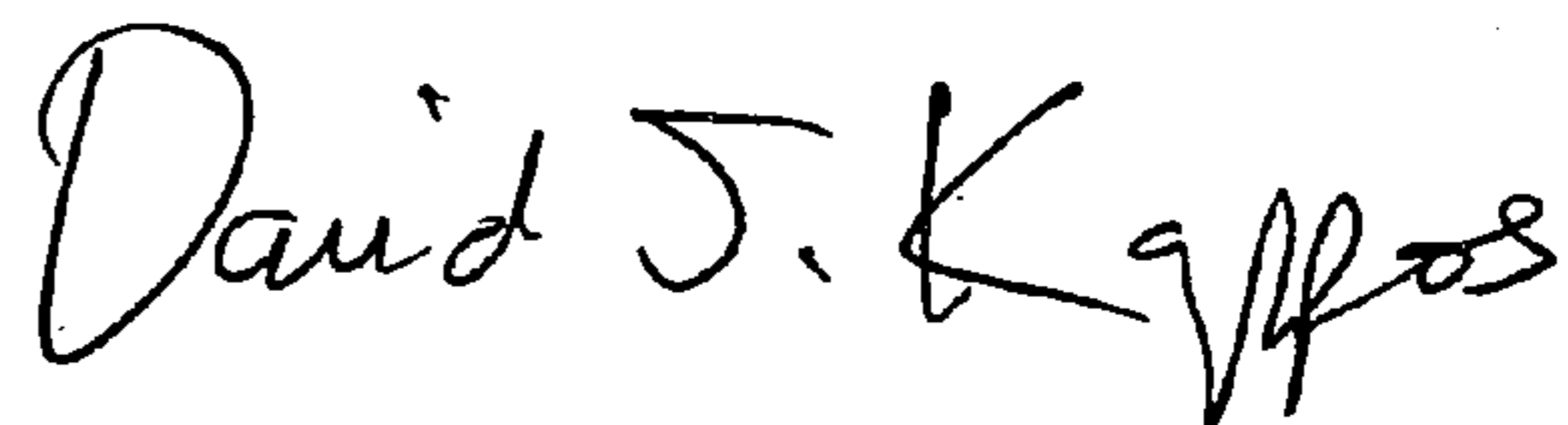
Title Page; item (74); should read;

1 Margaret Polson

2 Oppedahl Patent Law Firm LLC

Signed and Sealed this

Eighteenth Day of May, 2010



David J. Kappos  
*Director of the United States Patent and Trademark Office*