



US00D613580S

(12) **United States Design Patent**  
**Hatter**

(10) **Patent No.:** **US D613,580 S**  
(45) **Date of Patent:** **\*\* Apr. 13, 2010**

(54) **SET OF BRACKETS FOR FIXING AND SUPPORTING ELECTRONIC BOXES**

(75) Inventor: **Andy Hatter**, Herts (GB)

(73) Assignee: **DE Controls Ltd.**, Herts (GB)

(\*\*) Term: **14 Years**

(21) Appl. No.: **29/331,860**

(22) Filed: **Feb. 3, 2009**

(30) **Foreign Application Priority Data**

Aug. 4, 2008	(EM)	.....	000983960-0001
Aug. 4, 2008	(EM)	.....	000983960-0002
Aug. 4, 2008	(EM)	.....	000983960-0003
Aug. 4, 2008	(EM)	.....	000983960-0004
Aug. 4, 2008	(EM)	.....	000983960-0005

(51) **LOC (9) Cl.** ..... **08-05**

(52) **U.S. Cl.** ..... **D8/354**

(58) **Field of Classification Search** ..... D8/349,  
D8/354; 248/200, 300, 27.1  
See application file for complete search history.

(56) **References Cited**

**U.S. PATENT DOCUMENTS**

1,600,816	A *	9/1926	Harbert	.....	248/300
1,600,859	A *	9/1926	Wright	.....	248/300
D518,704	S *	4/2006	Miao et al.	.....	D8/349
D598,272	S *	8/2009	Tejszerski	.....	D8/349
D601,409	S *	10/2009	Bowe	.....	D8/349

\* cited by examiner

*Primary Examiner*—Holly H Baynham  
(74) *Attorney, Agent, or Firm*—Sunstein, Kann, Murphy & Timbers LLP

(57) **CLAIM**

The ornamental design for a set of brackets for fixing and supporting electronic boxes, as shown and described.

**DESCRIPTION**

FIG. 1 shows an elevated top view of a set of brackets for fixing and supporting electronic boxes according to a preferred embodiment of the present invention.

FIG. 2 shows a top plan view of the set of brackets for fixing and supporting electronic boxes of FIG. 1.

FIG. 3 shows a bottom plan view of the set of brackets for fixing and supporting electronic boxes of FIG. 1.

FIG. 4 shows a front side view of the set of brackets for fixing and supporting electronic boxes of FIG. 1.

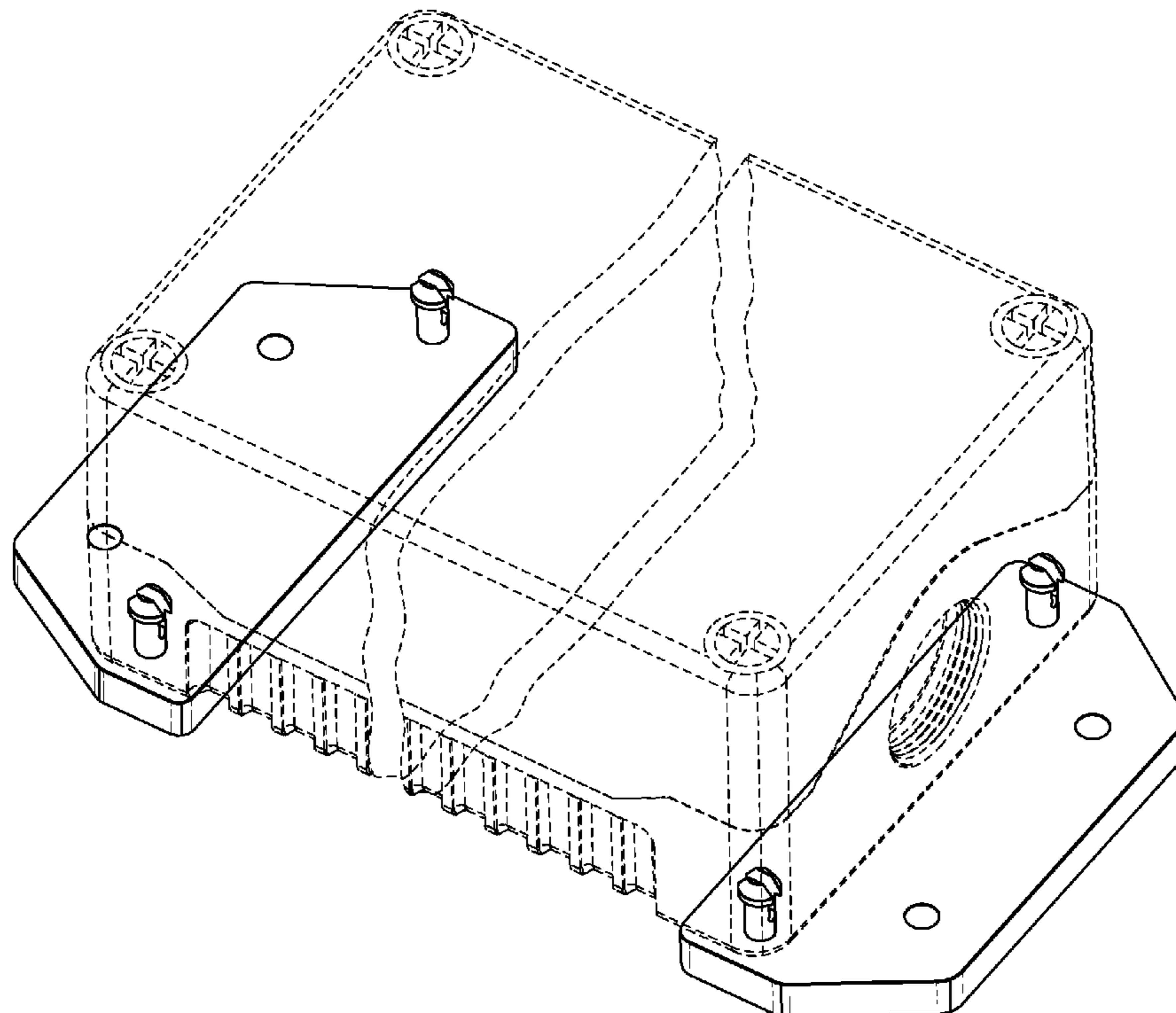
FIG. 5 shows a back side view of the set of brackets for fixing and supporting electronic boxes of FIG. 1.

FIG. 6 shows a right side view of the set of brackets for fixing and supporting electronic boxes of FIG. 1; and,

FIG. 7 shows a left side view of the set of brackets for fixing and supporting electronic boxes of FIG. 1.

The broken lines showing an electronic box is for illustrative purposes only and forms no part of the claimed design.

**1 Claim, 4 Drawing Sheets**



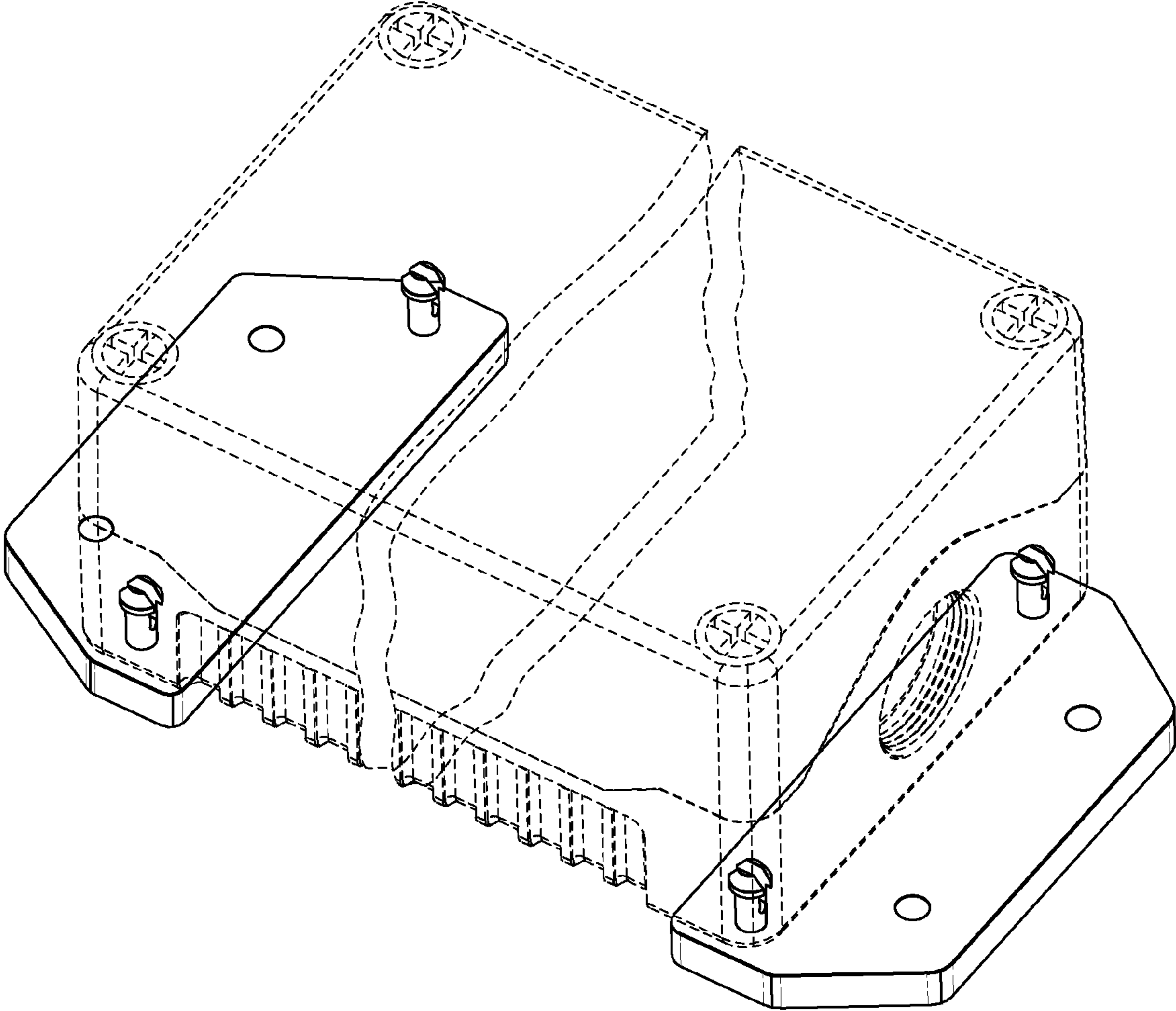
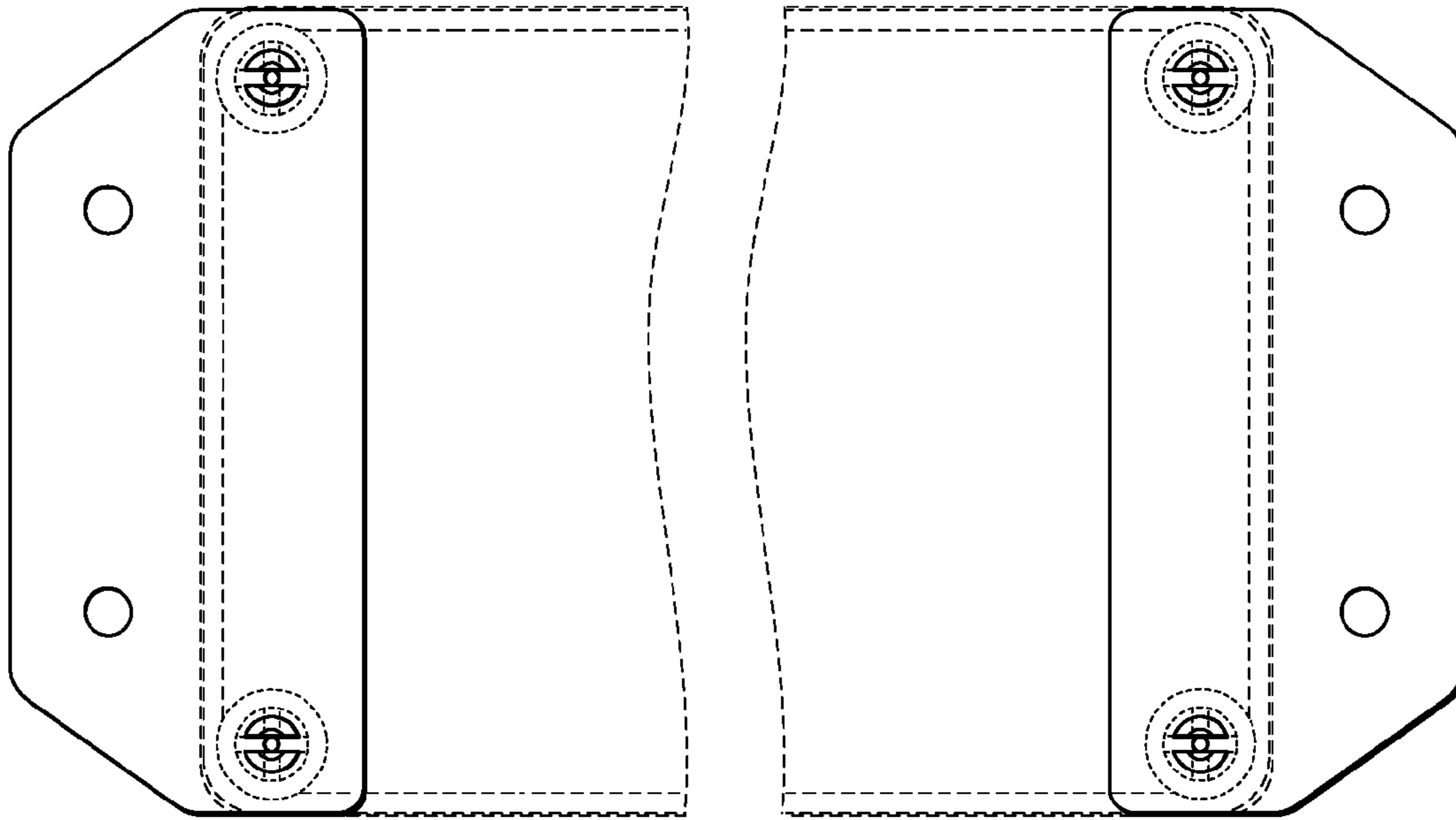
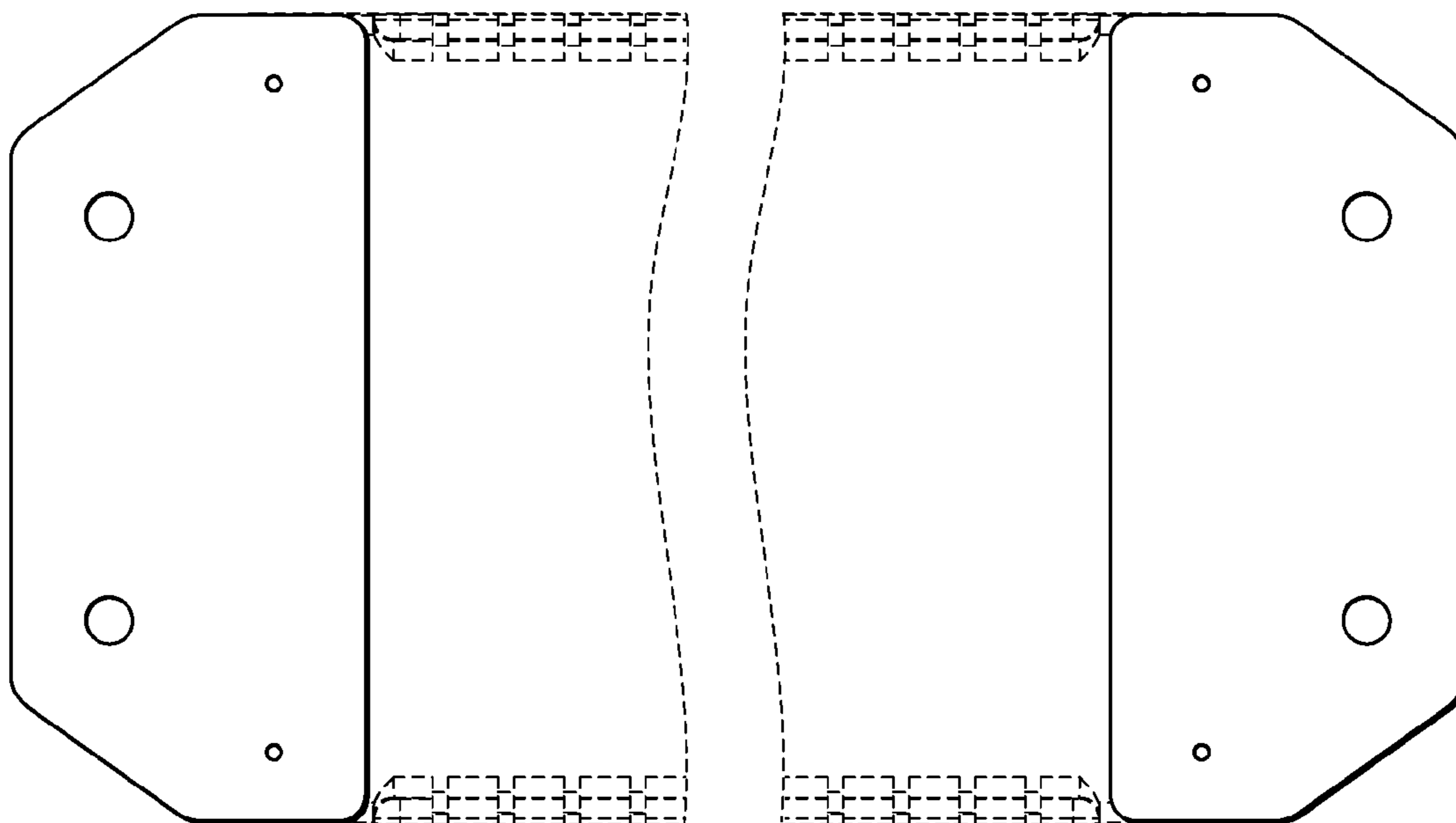


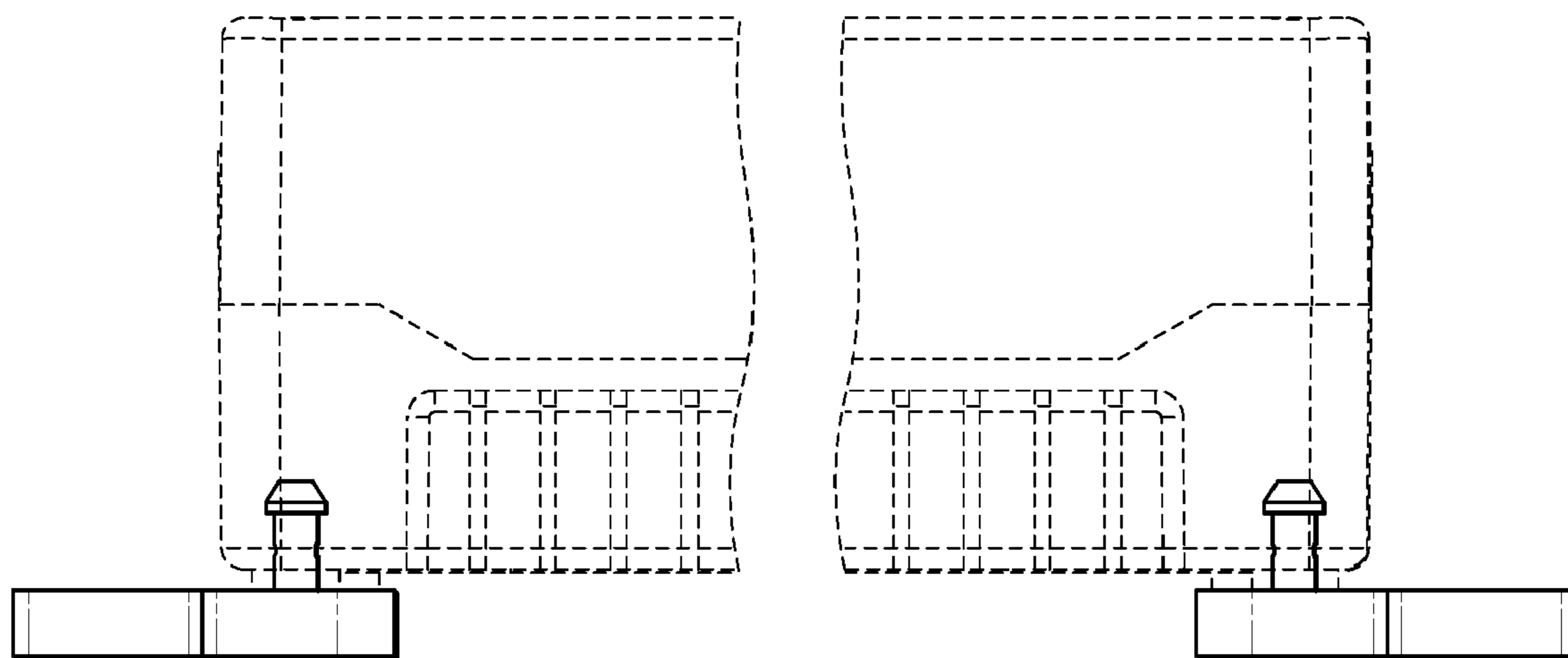
FIG. 1



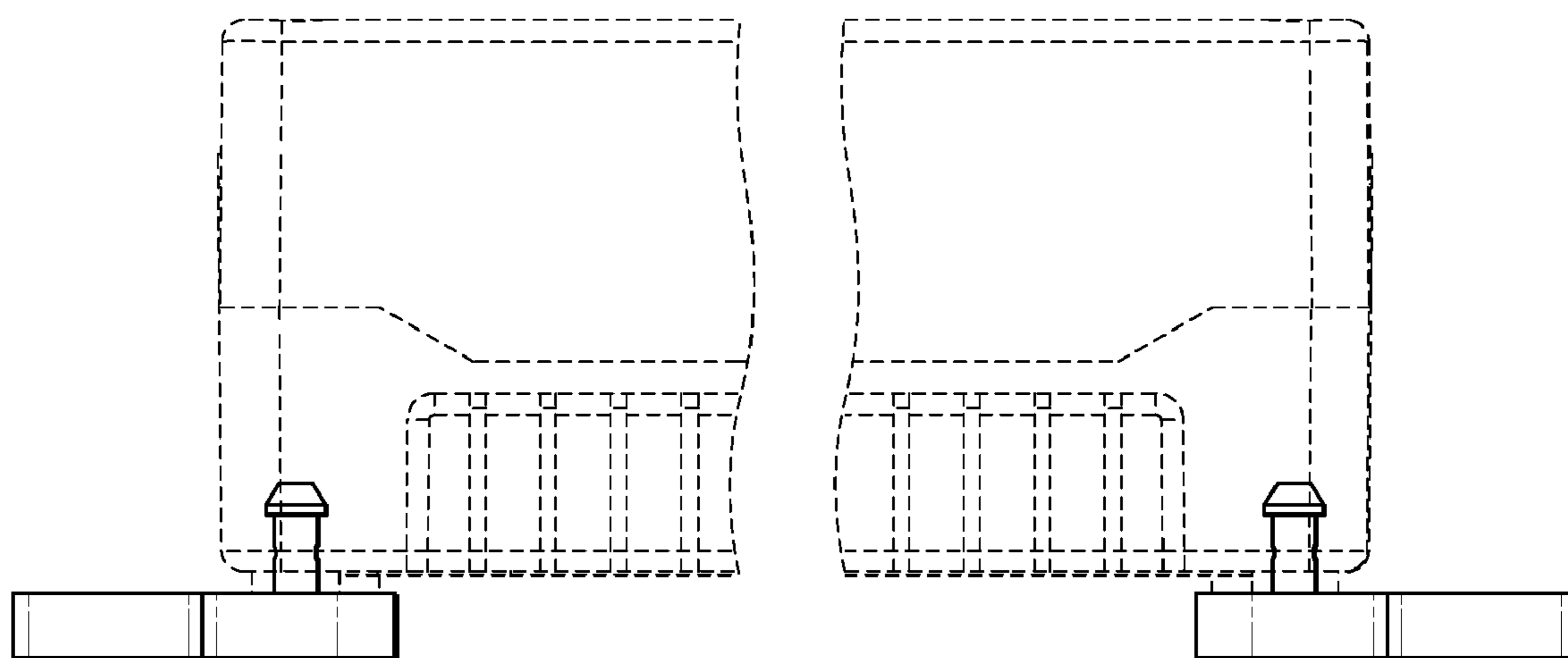
*FIG. 2*



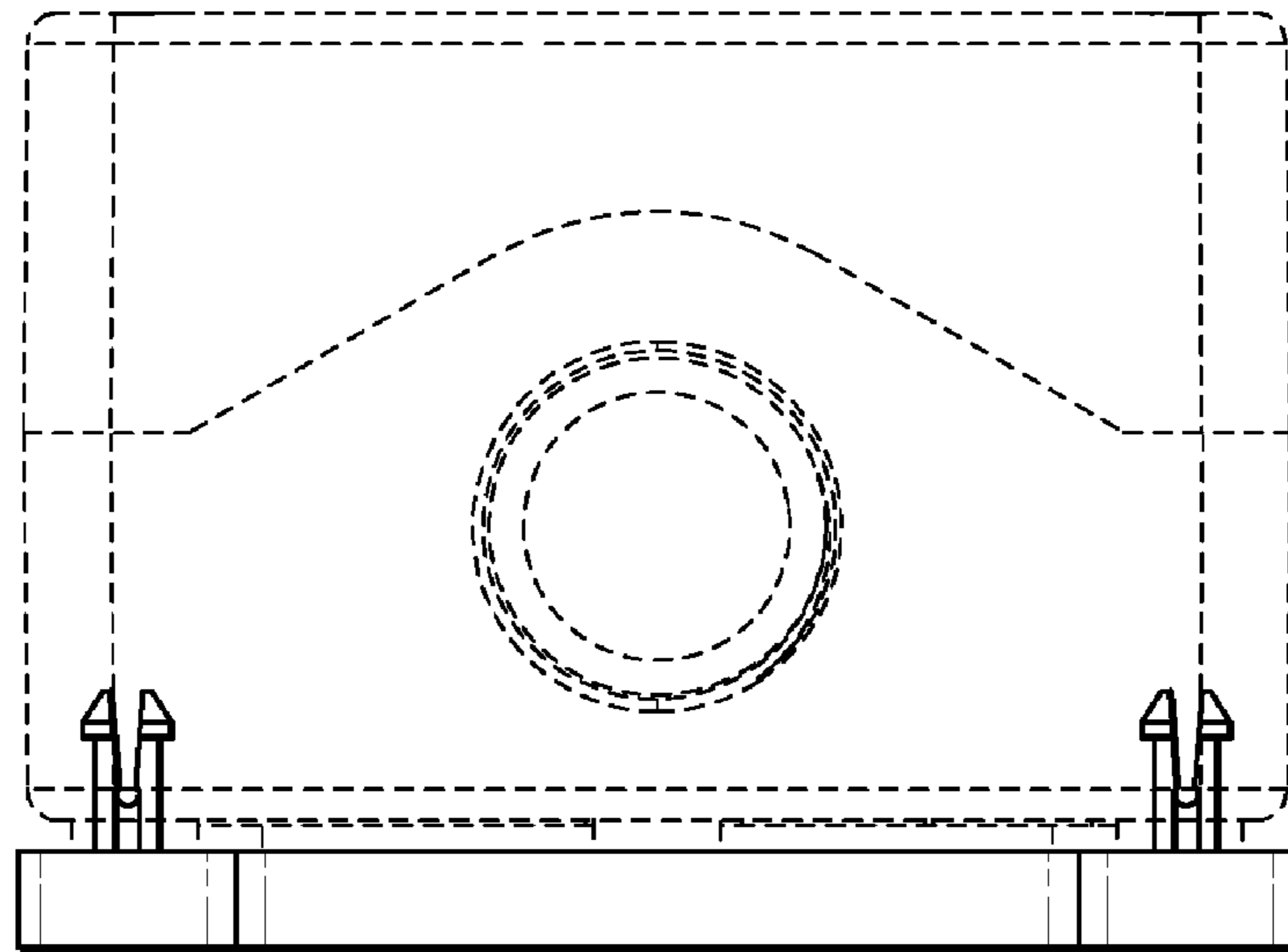
*FIG. 3*



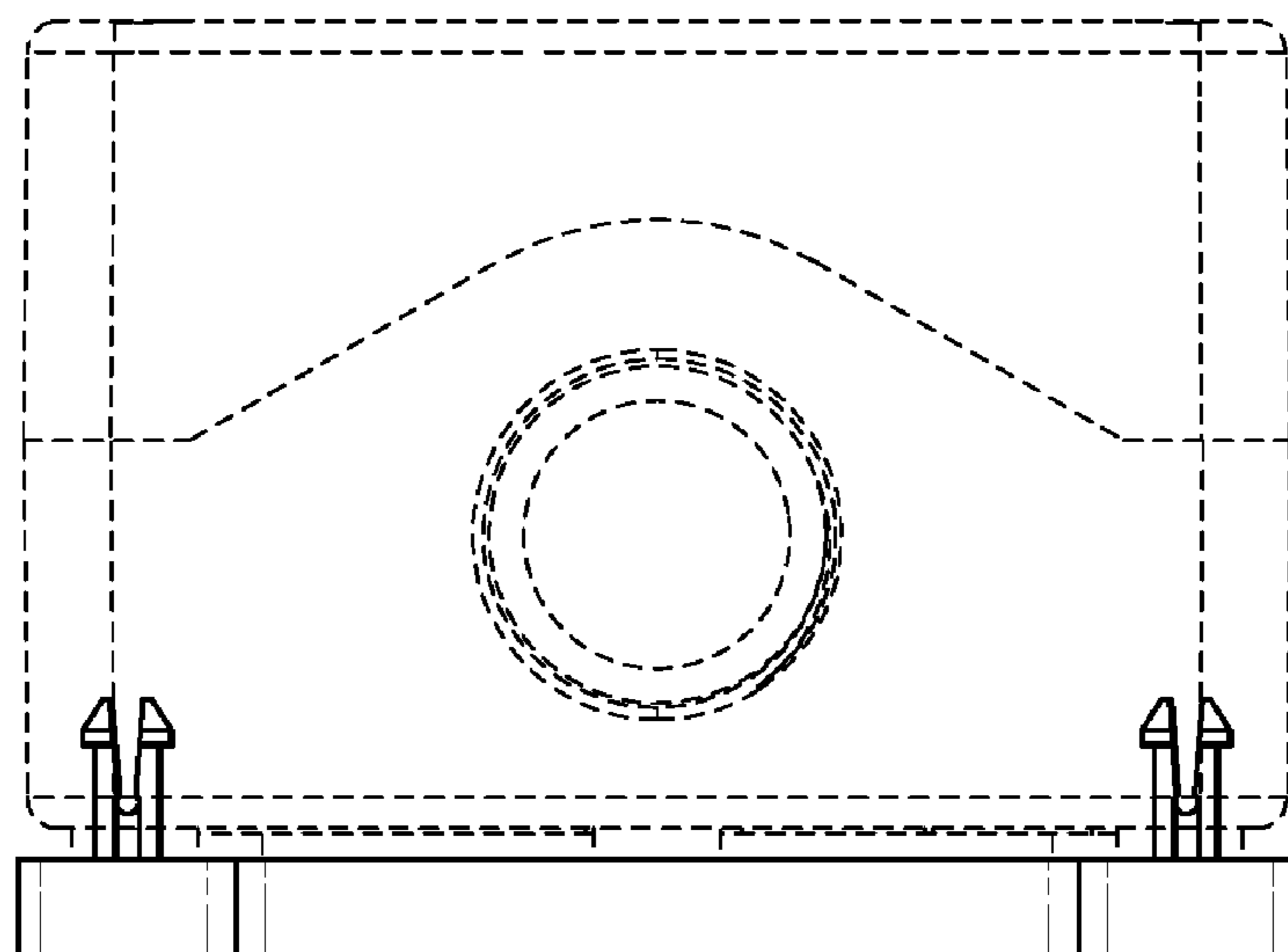
*FIG. 4*



*FIG. 5*



*FIG. 6*



*FIG. 7*