



US00D613578S

(12) **United States Design Patent**
Tejszerski

(10) **Patent No.:** **US D613,578 S**

(45) **Date of Patent:** **** Apr. 13, 2010**

(54) **MOUNTING BRACKET**

(75) Inventor: **Filip Tejszerski**, Newport (AU)

(73) Assignee: **D & D Group Pty Ltd**, Frenchs Forest (AU)

(**) Term: **14 Years**

(21) Appl. No.: **29/322,921**

(22) Filed: **Aug. 14, 2008**

(51) **LOC (9) Cl.** **08-07**

(52) **U.S. Cl.** **D8/339**

(58) **Field of Classification Search** D8/339,
D8/330, 331, 338, 340, 341, 343, 344, 349,
D8/354, 366, 367, 373, 499; D3/328; 70/62,
70/71, 77-79, 81, 108, 118, 466; 248/121,
248/122.1, 125.1, 125.3, 125.8, 125.9, 157,
248/200, 205.1, 218.4, 219.1-219.4, 295.11,
248/297.11; 292/4, 5, 290, 298, 302, 307 B,
292/323, 340, 341.19

See application file for complete search history.

(56) **References Cited**

U.S. PATENT DOCUMENTS

D293,878 S *	1/1988	Kayser	D8/339
5,094,489 A *	3/1992	Jones	292/340
D342,011 S *	12/1993	Maguire	D8/349
D368,844 S *	4/1996	Wingfield et al.	D8/331
D420,566 S *	2/2000	Ely et al.	D8/354
6,131,969 A *	10/2000	Natkins	292/323
6,283,689 B1 *	9/2001	Roytberg et al.	411/61

D490,685 S *	6/2004	Beaudoin et al.	D8/339
D494,887 S *	8/2004	Walraven	D11/200
D532,679 S *	11/2006	Ignagni	D8/354
D547,168 S *	7/2007	Churchill	D8/382
2002/0030146 A1 *	3/2002	Akaike	248/157
2008/0048076 A1 *	2/2008	De Wit et al.	248/205.1

* cited by examiner

Primary Examiner—Prabhakar Deshmukh

Assistant Examiner—Derrick Holland

(74) *Attorney, Agent, or Firm*—Kelly Lowry & Kelley, LLP

(57) **CLAIM**

The ornamental design for a mounting bracket, as shown and described.

DESCRIPTION

FIG. 1 is a perspective view of a mounting bracket showing my new design, in use;

FIG. 2 is an enlarged perspective view on the mounting bracket;

FIG. 3 is a front view thereof;

FIG. 4 is a rear view thereof;

FIG. 5 is a right side view thereof;

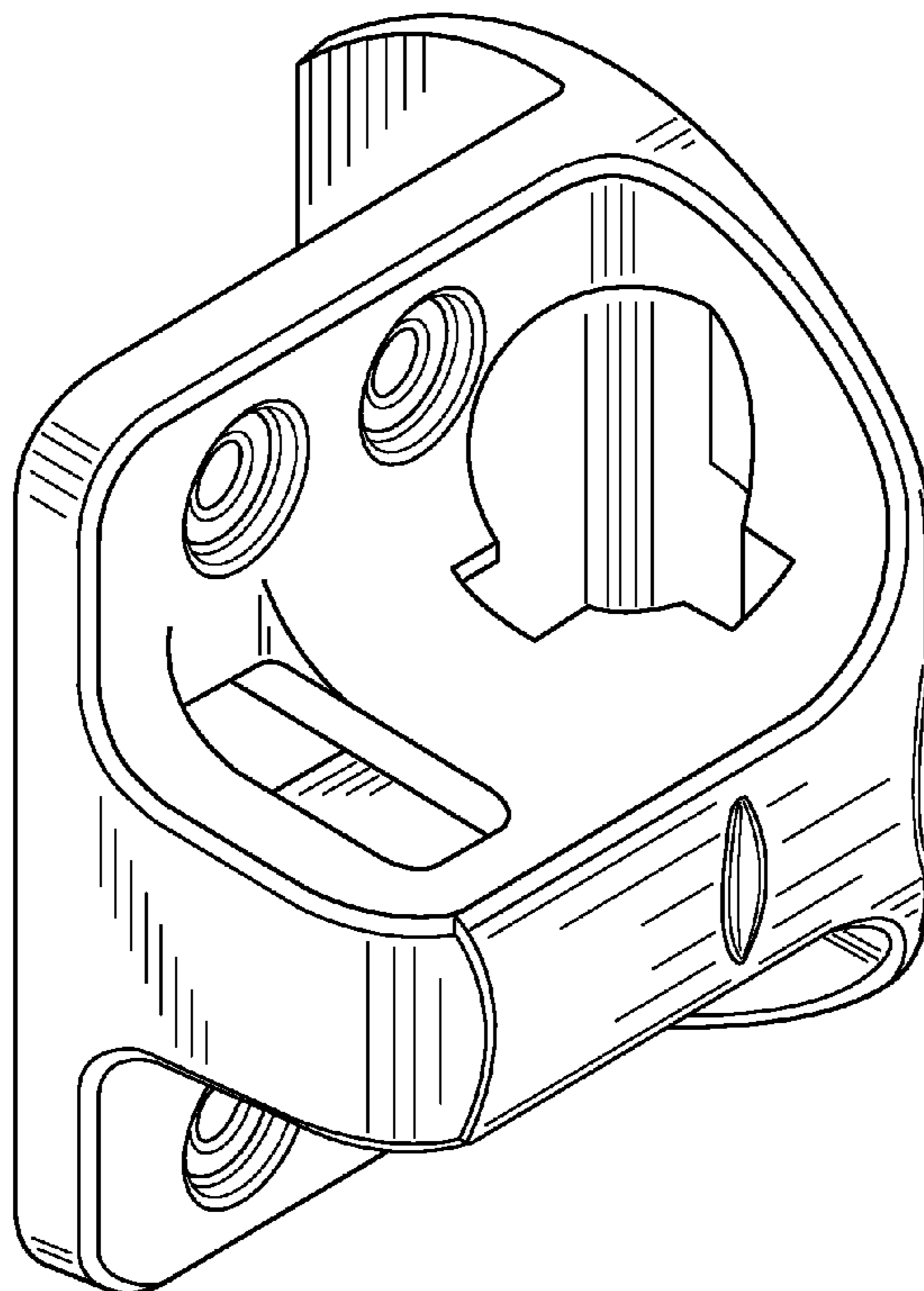
FIG. 6 is a top plan view thereof;

FIG. 7 is a bottom plan view thereof; and,

FIG. 8 is a left side view thereof.

The broken lines shown represent unclaimed subject matter and form no part of the claimed design.

1 Claim, 5 Drawing Sheets



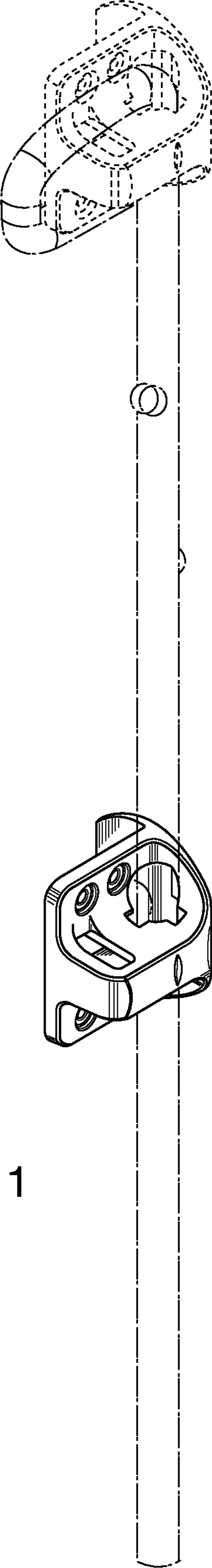


FIG. 1

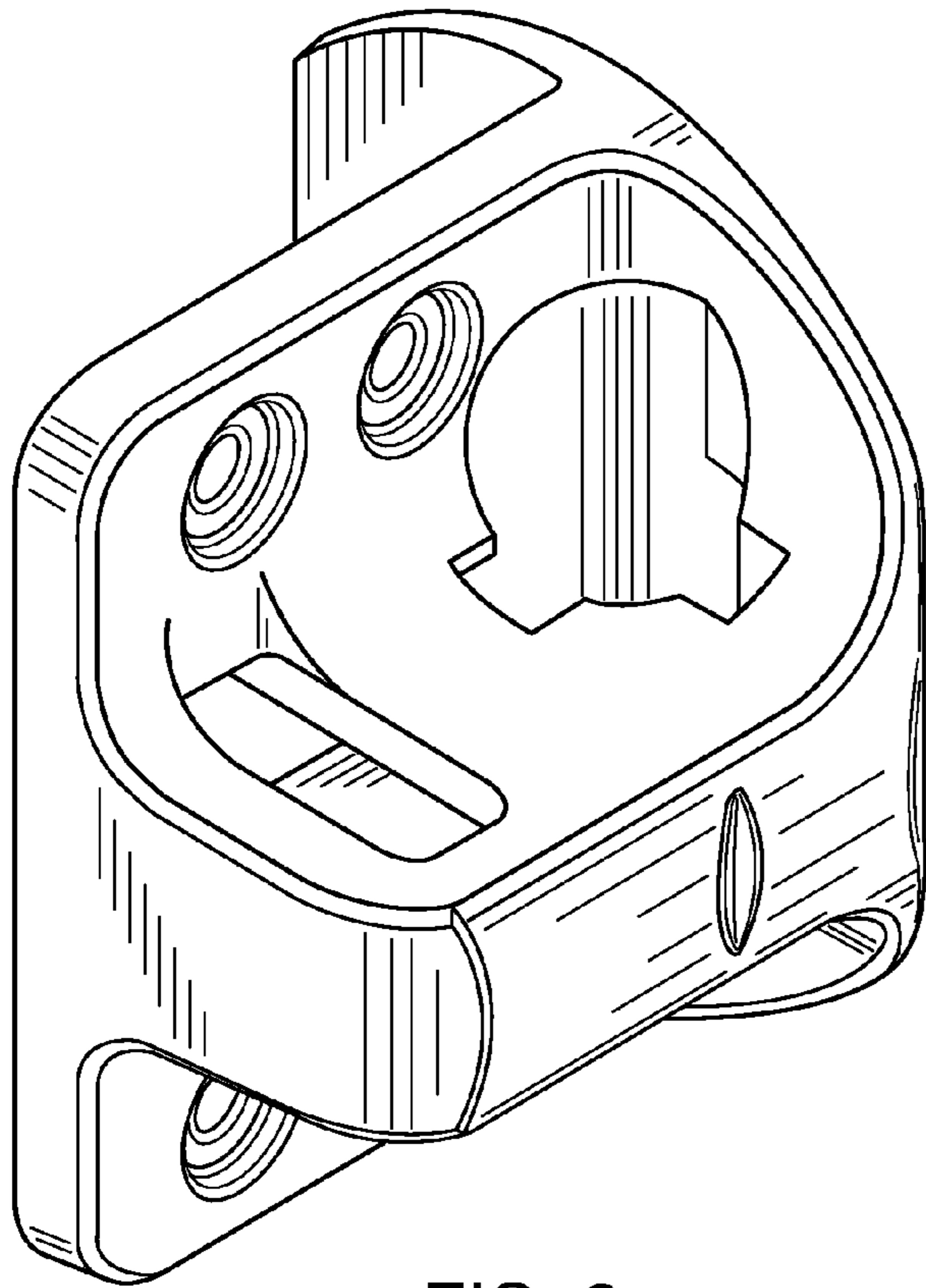


FIG. 2

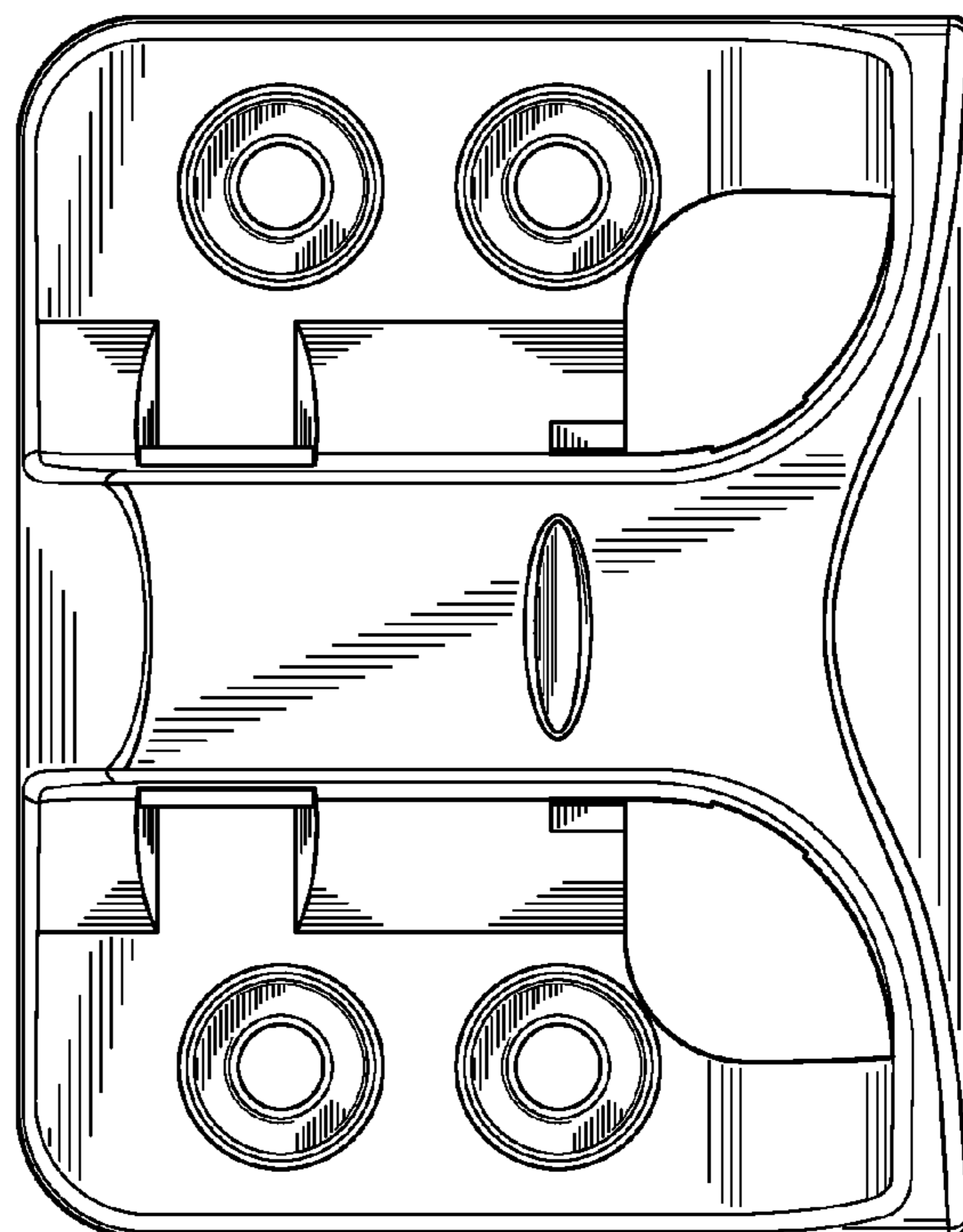


FIG. 3

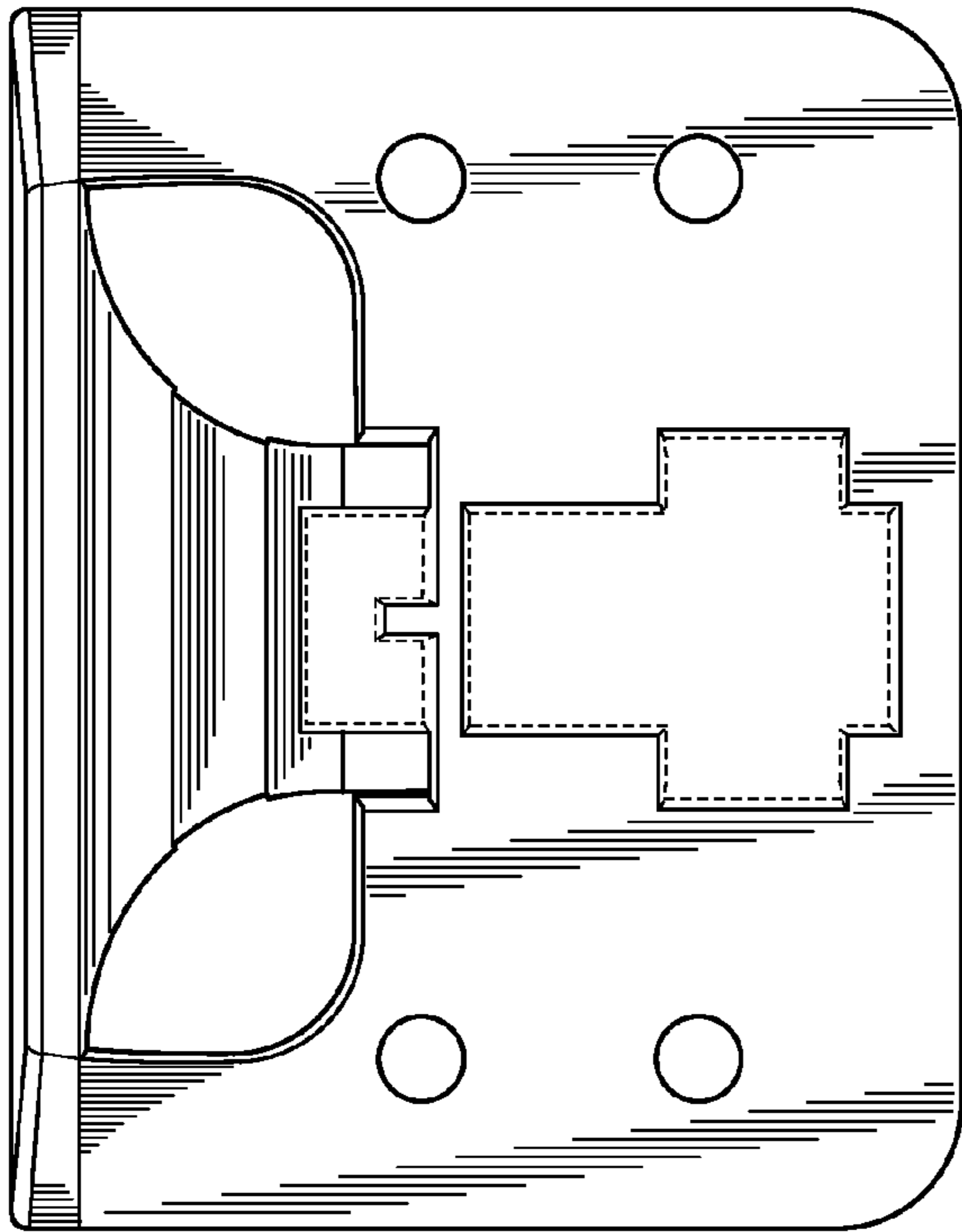


FIG. 4

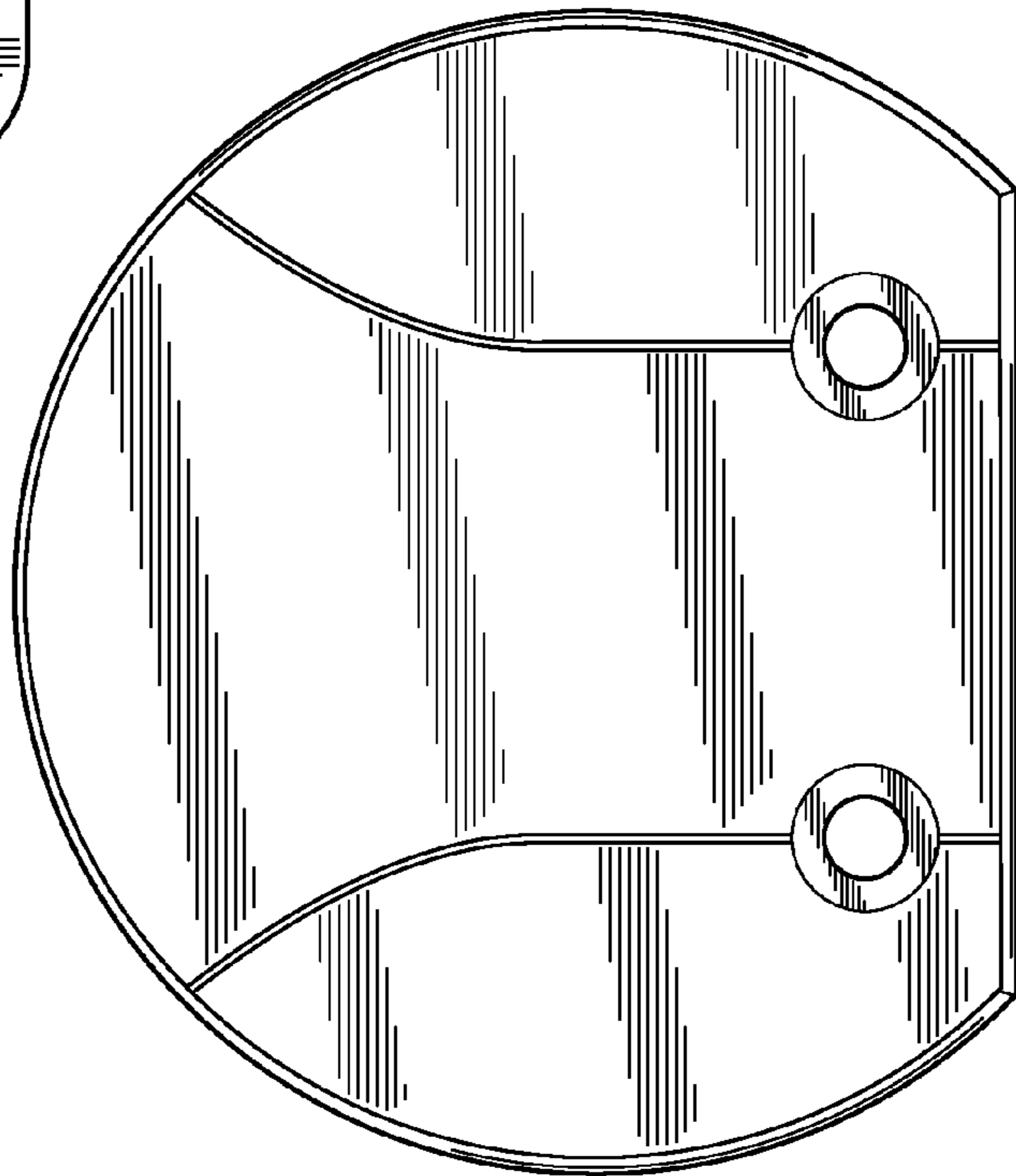


FIG. 5

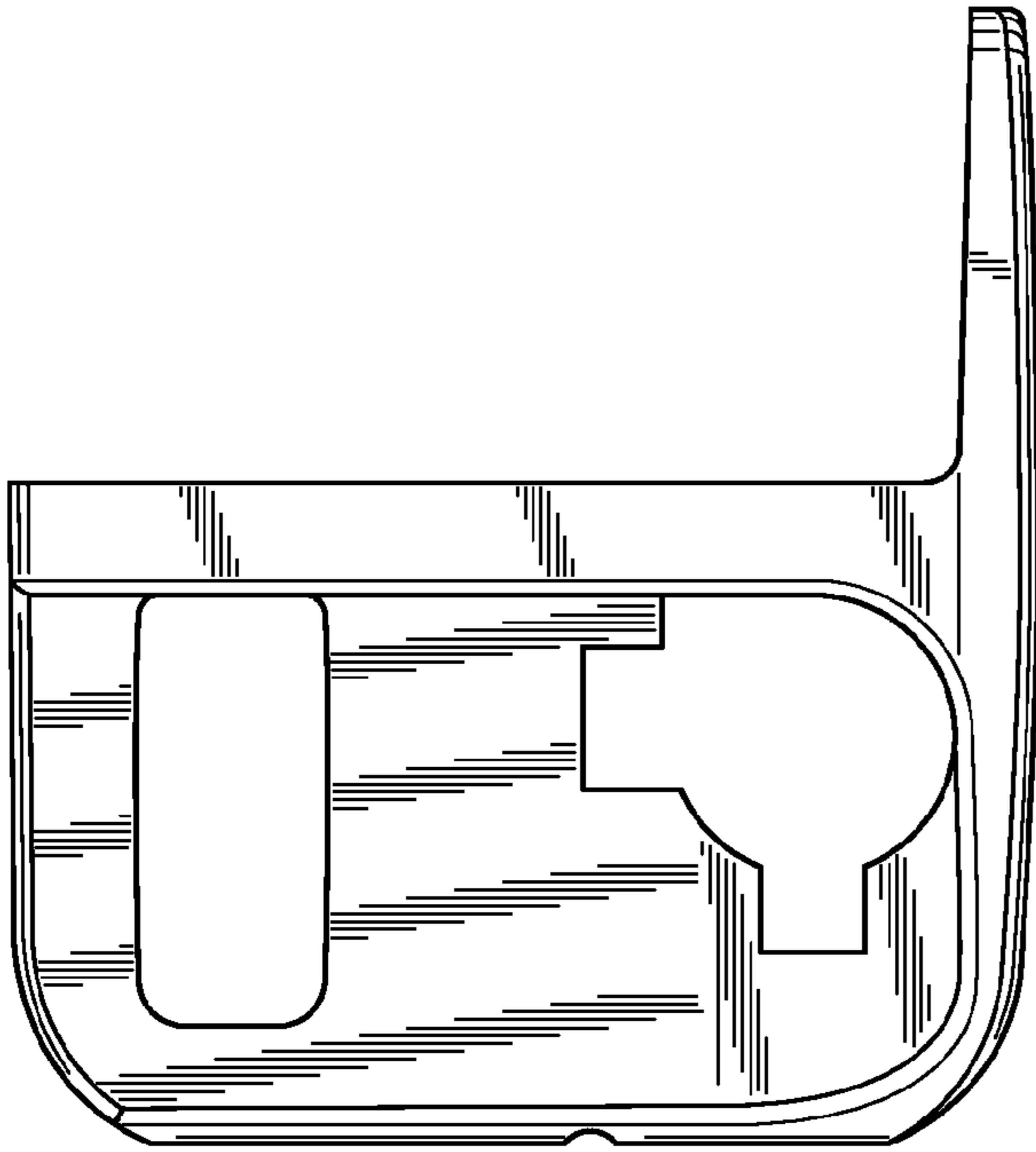


FIG. 6

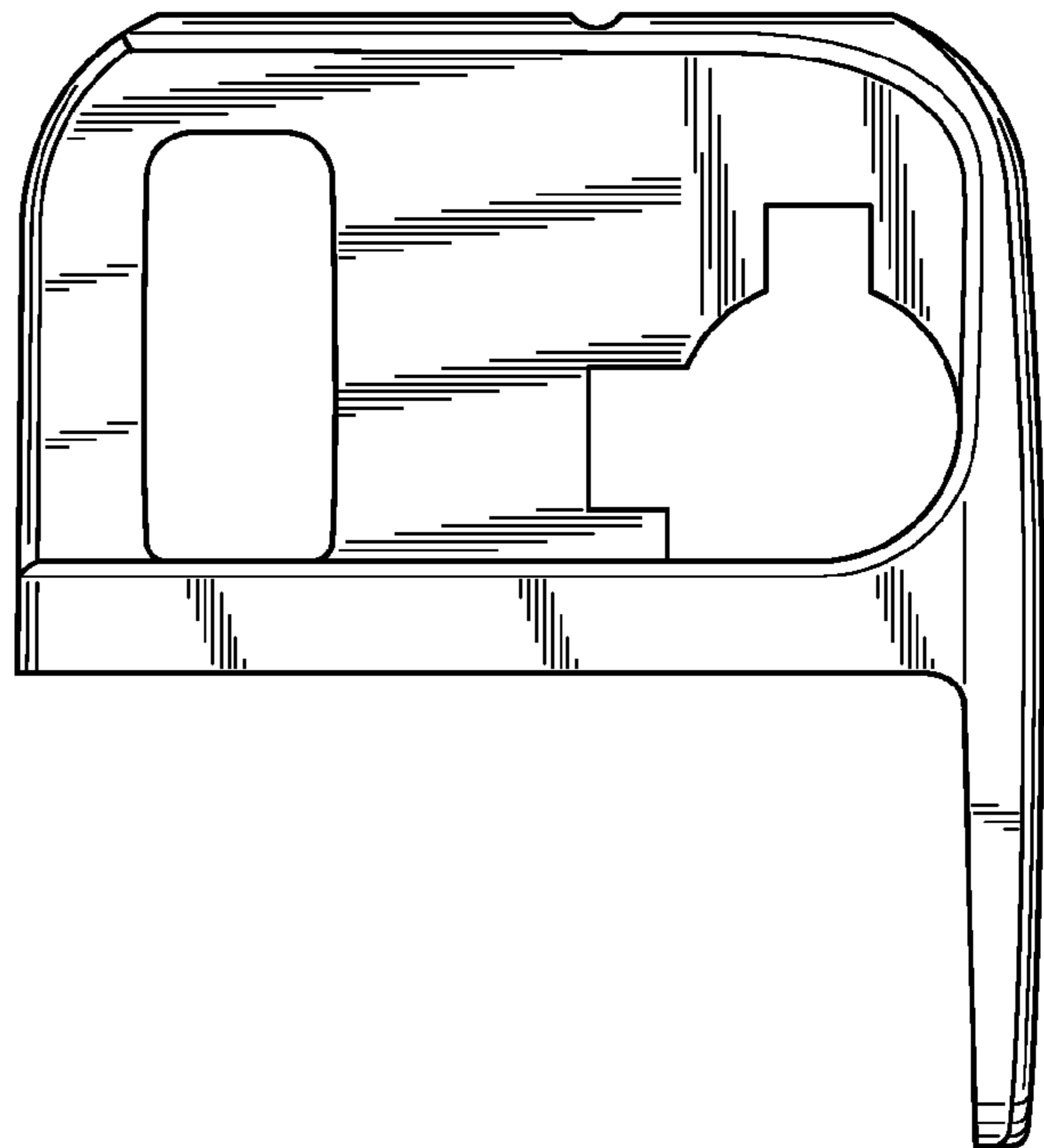


FIG. 7

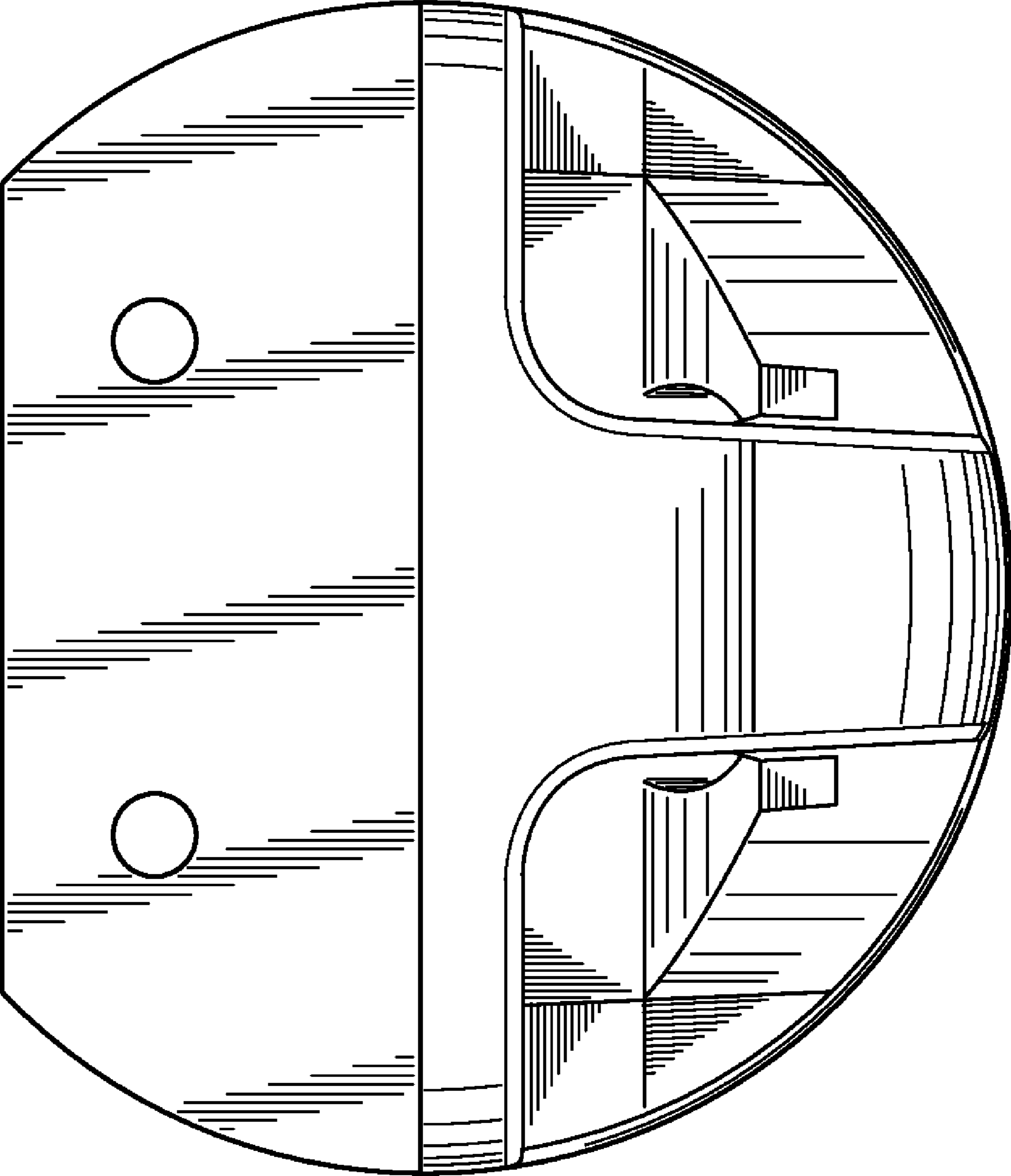


FIG. 8