



US00D613576S

(12) **United States Design Patent**
Matijevic

(10) **Patent No.:** **US D613,576 S**
(45) **Date of Patent:** **** Apr. 13, 2010**

(54) **FURNITURE PULL HANDLE**

(75) Inventor: **Zoran Matijevic**, Birmingham (GB)

(73) Assignee: **Crofts & Assinder Limited**,
Birmingham (GB)

(**) Term: **14 Years**

(21) Appl. No.: **29/313,042**

(22) Filed: **Dec. 2, 2008**

(30) **Foreign Application Priority Data**

Sep. 4, 2008	(EM)	000998950-0001
Sep. 4, 2008	(EM)	000998950-0002
Sep. 4, 2008	(EM)	000998950-0003
Sep. 4, 2008	(EM)	000998950-0004
Sep. 4, 2008	(EM)	000998950-0005
Sep. 4, 2008	(EM)	000998950-0006
Sep. 4, 2008	(EM)	000998950-0007
Sep. 4, 2008	(EM)	000998950-0008
Sep. 4, 2008	(EM)	000998950-0009
Sep. 4, 2008	(EM)	000998950-0010
Sep. 4, 2008	(EM)	000998950-0011

(51) **LOC (9) Cl.** **08-06**

(52) **U.S. Cl.** **D8/315**

(58) **Field of Classification Search** D8/300-302,
D8/305, 313-321, DIG. 1; D6/633; D7/393;
D3/291, 318; D23/250-254; 292/347, 336.3;
16/101.1, 412, 414-420, 443-446, 441, 110 R,
16/111 R, DIG. 19, DIG. 20

See application file for complete search history.

(56) **References Cited**

U.S. PATENT DOCUMENTS

D200,195 S *	2/1965	Clayton	D8/316
D233,011 S *	10/1974	Tegner	D8/317

D233,012 S *	10/1974	Tegner	D8/317
D239,798 S *	5/1976	Vrignaud	D8/316
D246,424 S *	11/1977	Clayton	D8/317
D357,168 S *	4/1995	Chieda	D8/315
D544,335 S *	6/2007	Mattson et al.	D8/321
D562,105 S *	2/2008	Mattson et al.	D8/305
D574,694 S *	8/2008	Krumpe	D8/316
D575,621 S *	8/2008	Matijevic	D8/315
D578,371 S *	10/2008	Matijevic	D8/316
D579,753 S *	11/2008	Mattson et al.	D8/316
D584,936 S *	1/2009	Ricereto	D8/315
D586,199 S *	2/2009	Gifford	D8/315
D596,918 S *	7/2009	Menzies	D8/315

* cited by examiner

Primary Examiner—Ian Simmons

Assistant Examiner—Mark A Goodwin

(74) *Attorney, Agent, or Firm*—Chernoff, Vilhauer, McClung
& Stenzel, LLP

(57) **CLAIM**

The ornamental design for a furniture pull handle, as shown
and described.

DESCRIPTION

FIG. 1 is a top perspective view of a furniture pull handle
showing our new design;

FIG. 2 is a top plan view thereof;

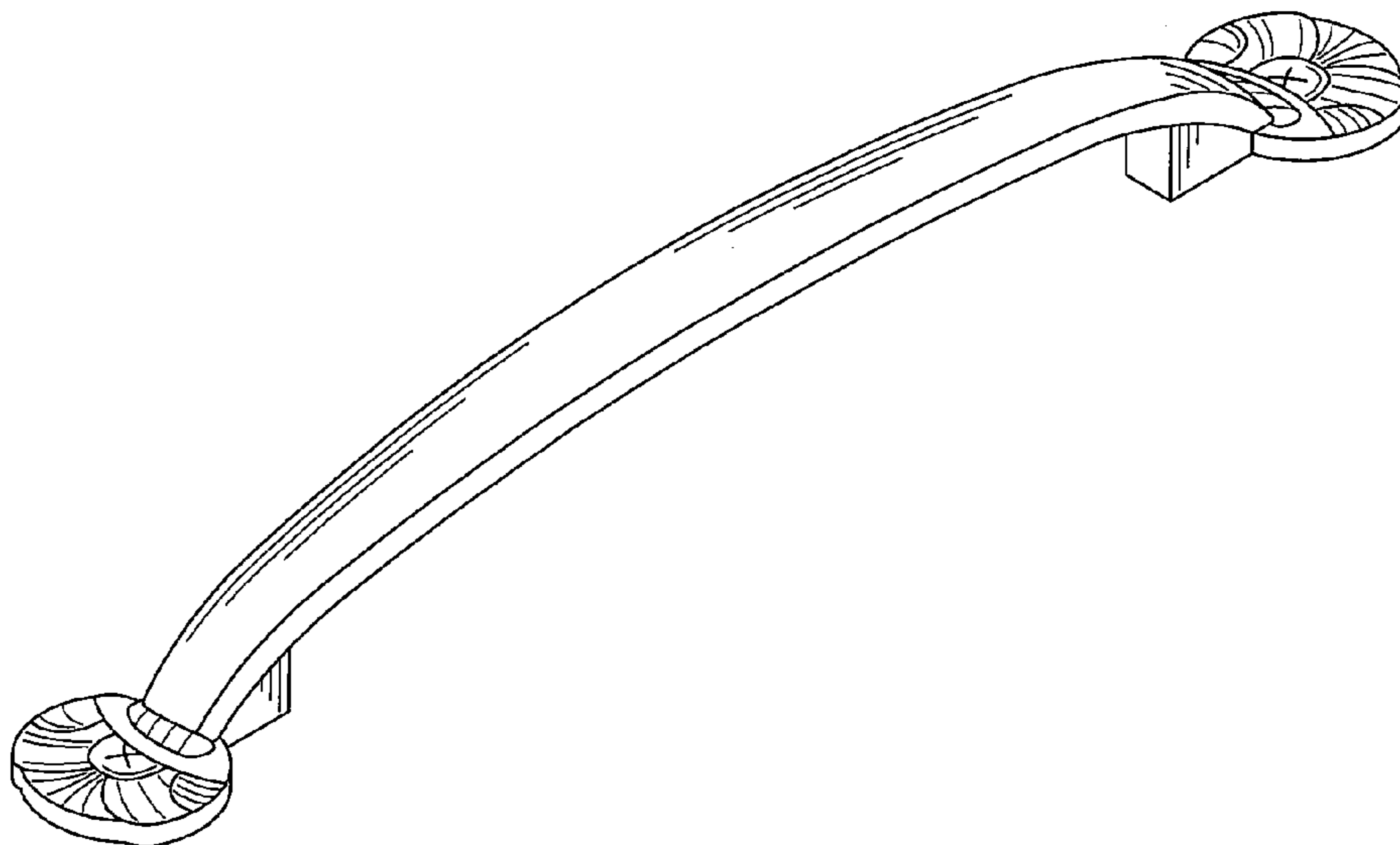
FIG. 3 is a bottom plan view thereof;

FIG. 4 is a first side elevation view thereof, the opposite side
elevation view being identical thereto; and,

FIG. 5 is an end elevation view thereof the opposite end
elevation view being a mirror image thereof.

The broken line showing of the circular elements in FIG. 3 is
included for the purpose of illustrating a portion of the furni-
ture pull handle and forms no part of the claimed design.

1 Claim, 2 Drawing Sheets



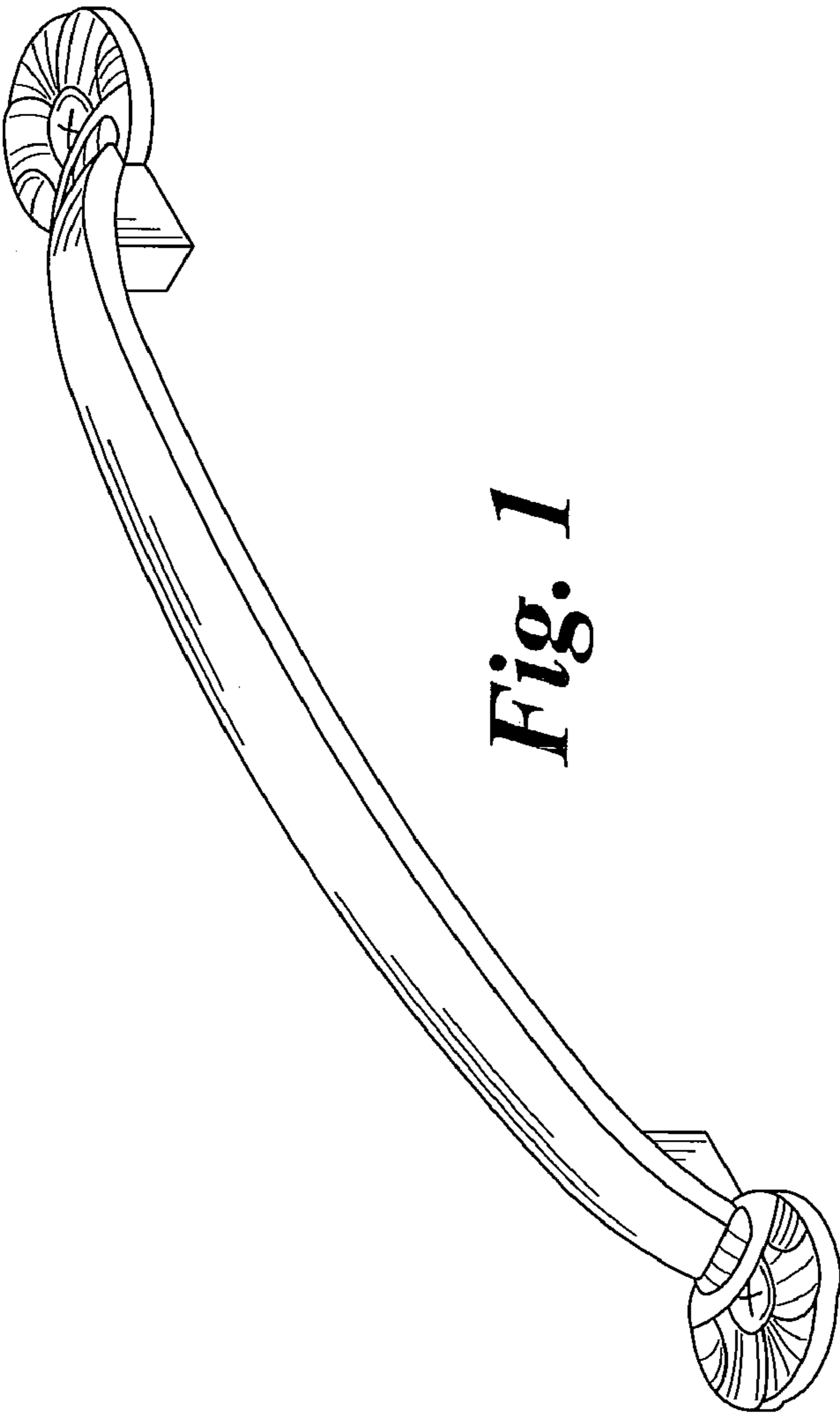


Fig. 1

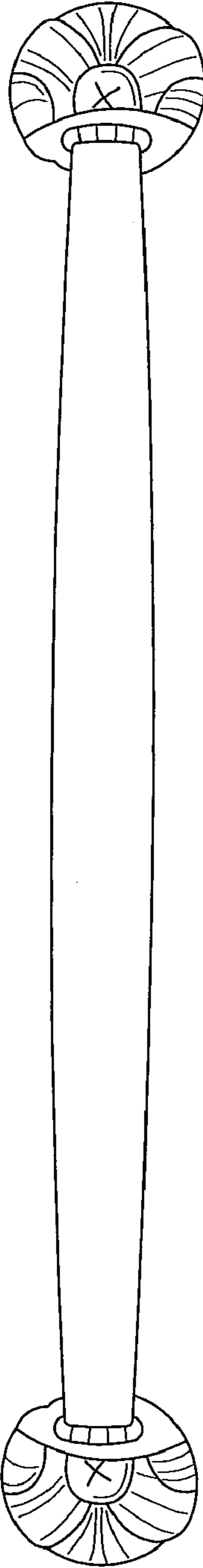


Fig. 2

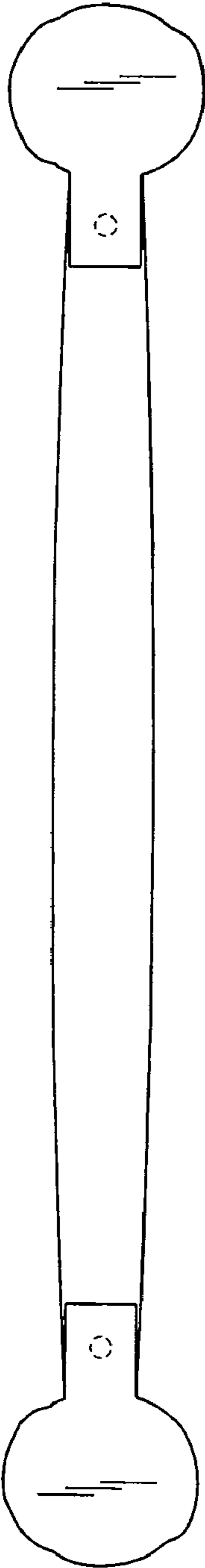


Fig. 3

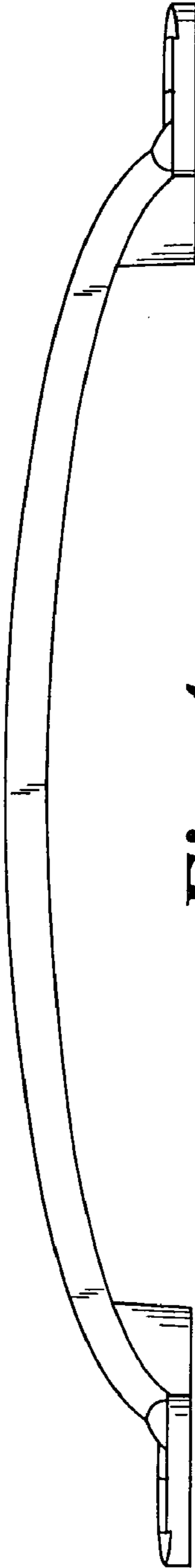


Fig. 4

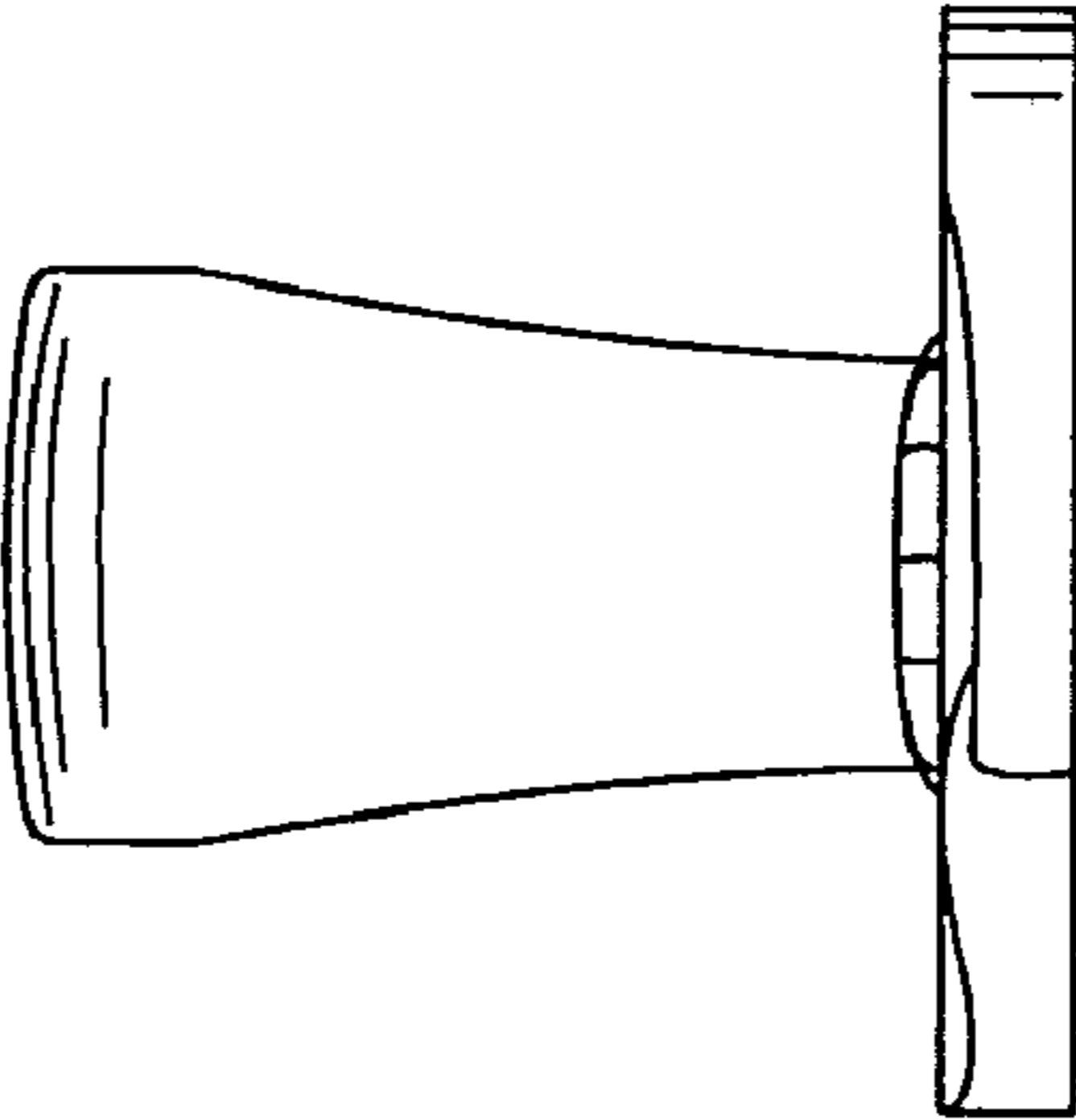


Fig. 5