



US00D613572S

(12) **United States Design Patent**
Nielsen et al.

(10) **Patent No.:** **US D613,572 S**
(45) **Date of Patent:** **** Apr. 13, 2010**

(54) **TATTOO MANIFOLD FOR NOZZLE ATTACHMENTS AND HOLDING DEVICES**

Primary Examiner—Antoine D Davis
(74) *Attorney, Agent, or Firm*—Grant's Law Firm; Allan Grant

(76) Inventors: **Stacy L. Nielsen**, 878 W. 16th St., Newport Beach, CA (US) 92663; **Jaro Turek**, 878 W. 16th St., Newport Beach, CA (US) 92663

(57) **CLAIM**

The ornamental design for a tattoo manifold for nozzle attachments and holding devices, as shown and described.

(**) Term: **14 Years**

(21) Appl. No.: **29/313,781**

DESCRIPTION

(22) Filed: **Feb. 10, 2009**

(51) **LOC (9) Cl.** **08-03**

(52) **U.S. Cl.** **D8/71; D15/140**

(58) **Field of Classification Search** D8/71; D15/140; D25/120, 128; 52/579; 211/70.1, 211/70.6; 248/201, 211, 215; 312/333
See application file for complete search history.

FIG. 1 is a perspective view of the tattoo manifold having nozzle attachments & holding devices;
FIG. 2 is a front view of the tattoo manifold;
FIG. 3 is a back view of the tattoo manifold;
FIG. 4 is a side view of the tattoo manifold
FIG. 5 is the other side view of the tattoo manifold;
FIG. 6 is a top view of the tattoo manifold; and,
FIG. 7 is a bottom view of the tattoo manifold.

(56) **References Cited**

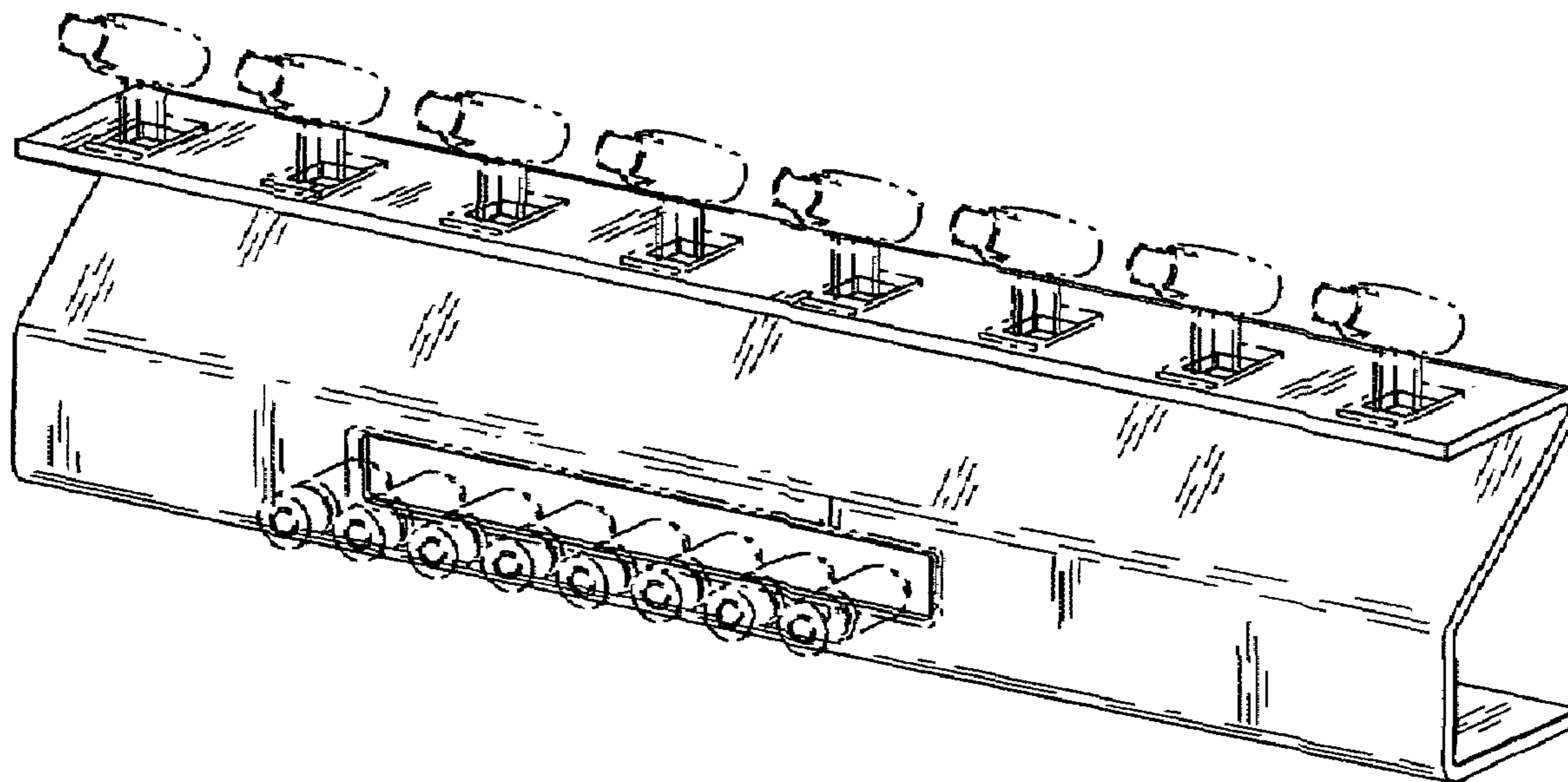
U.S. PATENT DOCUMENTS

D294,530 S *	3/1988	Carluccio et al.	D8/71
D294,548 S *	3/1988	Wallace	D8/71
2004/0111997 A1 *	6/2004	Gigiakos	52/579

The broken lines in FIG. 1 show the tattoo tip holders and nozzles attachments for the air hoses, which are for illustrative purposes only and form no part of the claimed design.

* cited by examiner

1 Claim, 2 Drawing Sheets



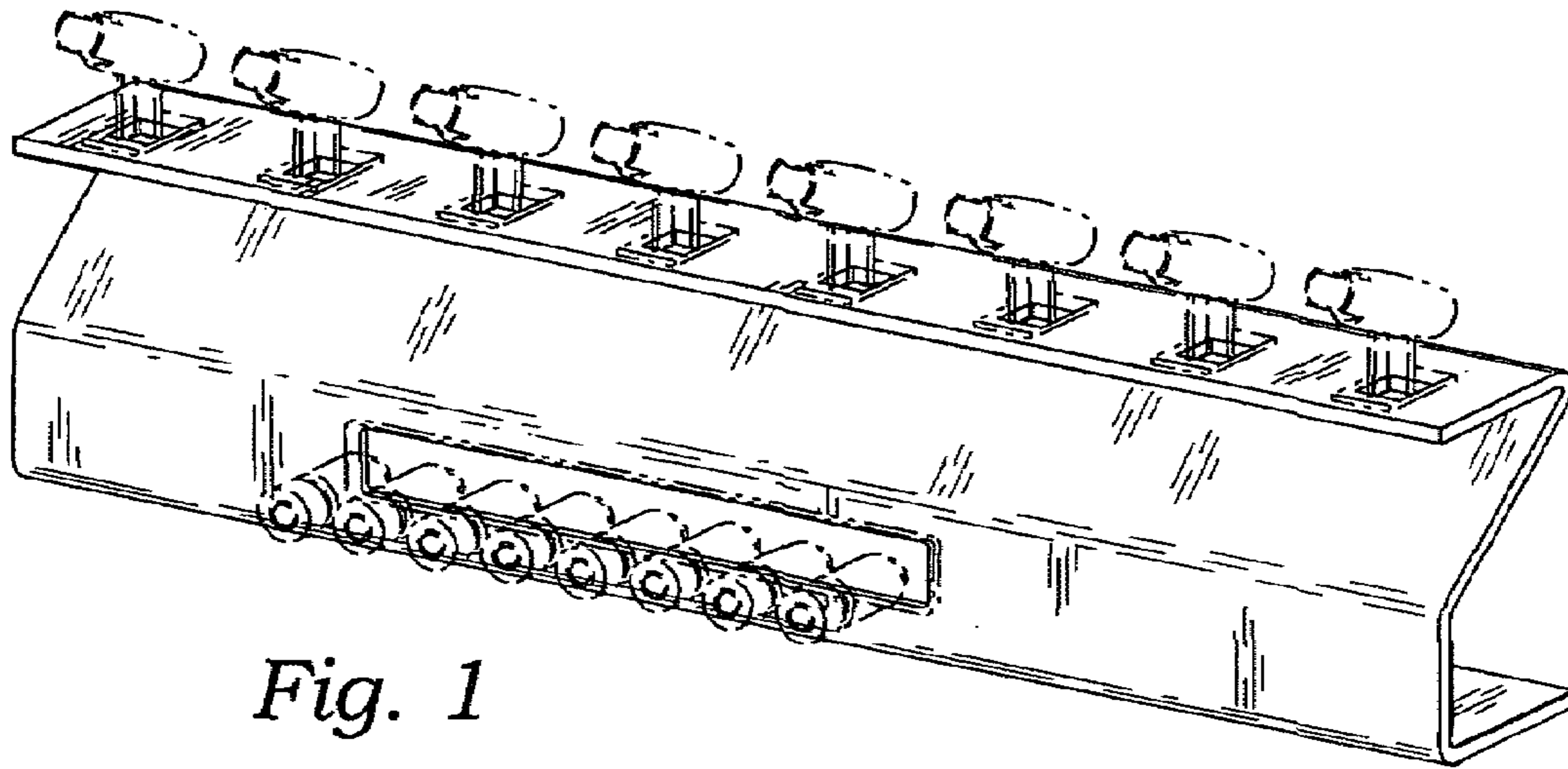


Fig. 1



Fig. 2

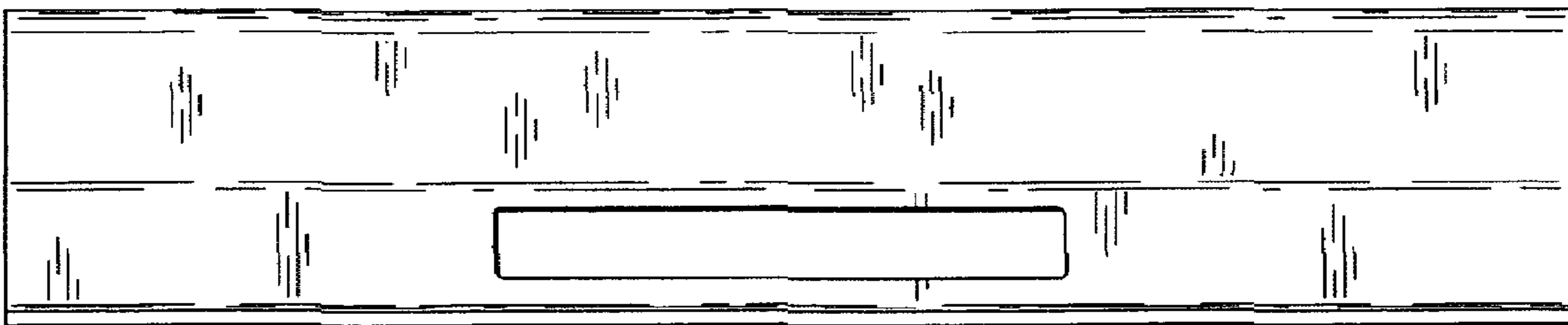


Fig. 3

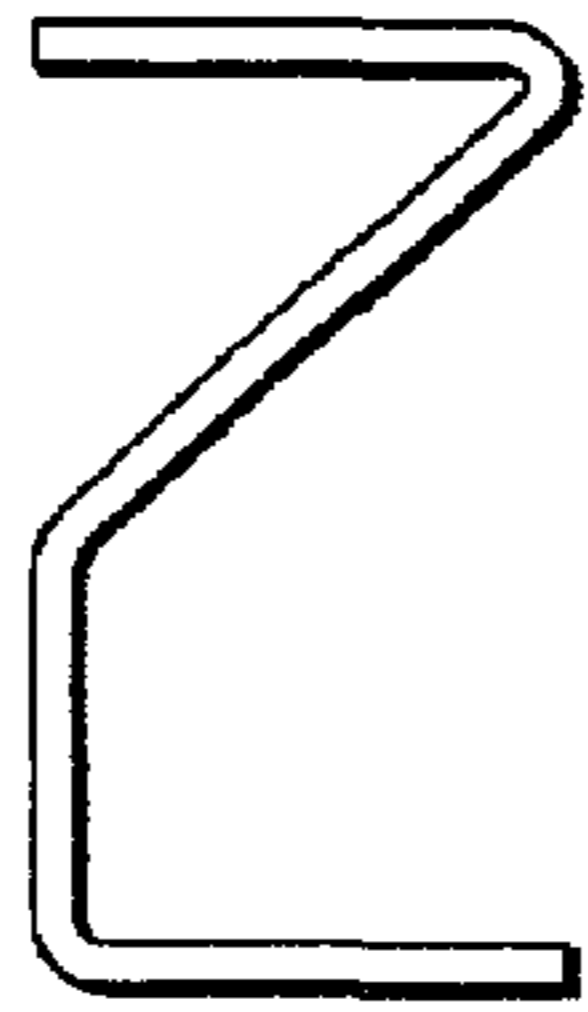


Fig. 4



Fig. 5

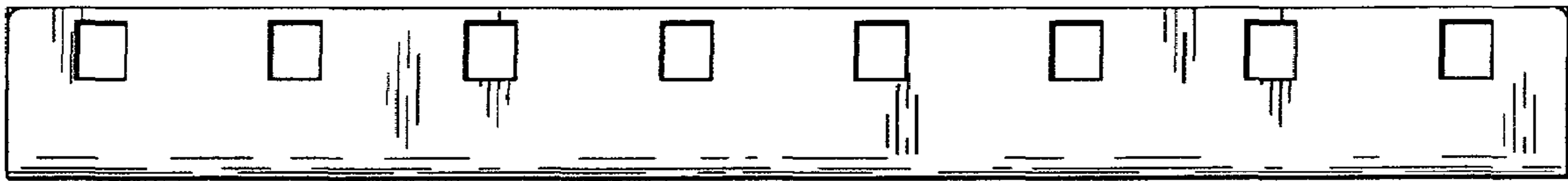


Fig. 6



Fig. 7