



US00D613570S

(12) **United States Design Patent**  
**Wall**

(10) **Patent No.:** **US D613,570 S**

(45) **Date of Patent:** **\*\* Apr. 13, 2010**

(54) **FENCE TENSIONER**

(75) Inventor: **John R. Wall**, Carmichaels, PA (US)

(73) Assignee: **John Wall, Inc.**, Carmichaels, PA (US)

(\*\*) Term: **14 Years**

(21) Appl. No.: **29/319,171**

(22) Filed: **Jun. 5, 2008**

(51) **LOC (9) Cl.** ..... **08-05**

(52) **U.S. Cl.** ..... **D8/44**

(58) **Field of Classification Search** ..... D8/44,  
D8/359; D22/140; 242/388.1, 388.2, 388.4;  
256/37, 40, 44

See application file for complete search history.

(56) **References Cited**

**U.S. PATENT DOCUMENTS**

- 4,057,221 A \* 11/1977 Leath ..... 256/40
- D359,431 S \* 6/1995 Motley ..... D8/44
- 6,102,321 A \* 8/2000 Clary ..... 242/388.4
- 6,431,487 B1 \* 8/2002 Wall ..... 242/388.2
- 6,848,678 B2 \* 2/2005 Reiff ..... 256/44
- D503,609 S \* 4/2005 Robbins et al. .... D8/359

2004/0119059 A1\* 6/2004 Reiff ..... 256/42

\* cited by examiner

*Primary Examiner*—Adir Aronovich

(74) *Attorney, Agent, or Firm*—The Webb Law Firm

(57) **CLAIM**

The ornamental design for a fence tensioner, as shown and described.

**DESCRIPTION**

FIG. 1 is a perspective view of the fence tensioner showing the new design;

FIG. 2 is a top plan view of the design shown in FIG. 1;

FIG. 3 is a bottom plan view of the design shown in FIG. 1;

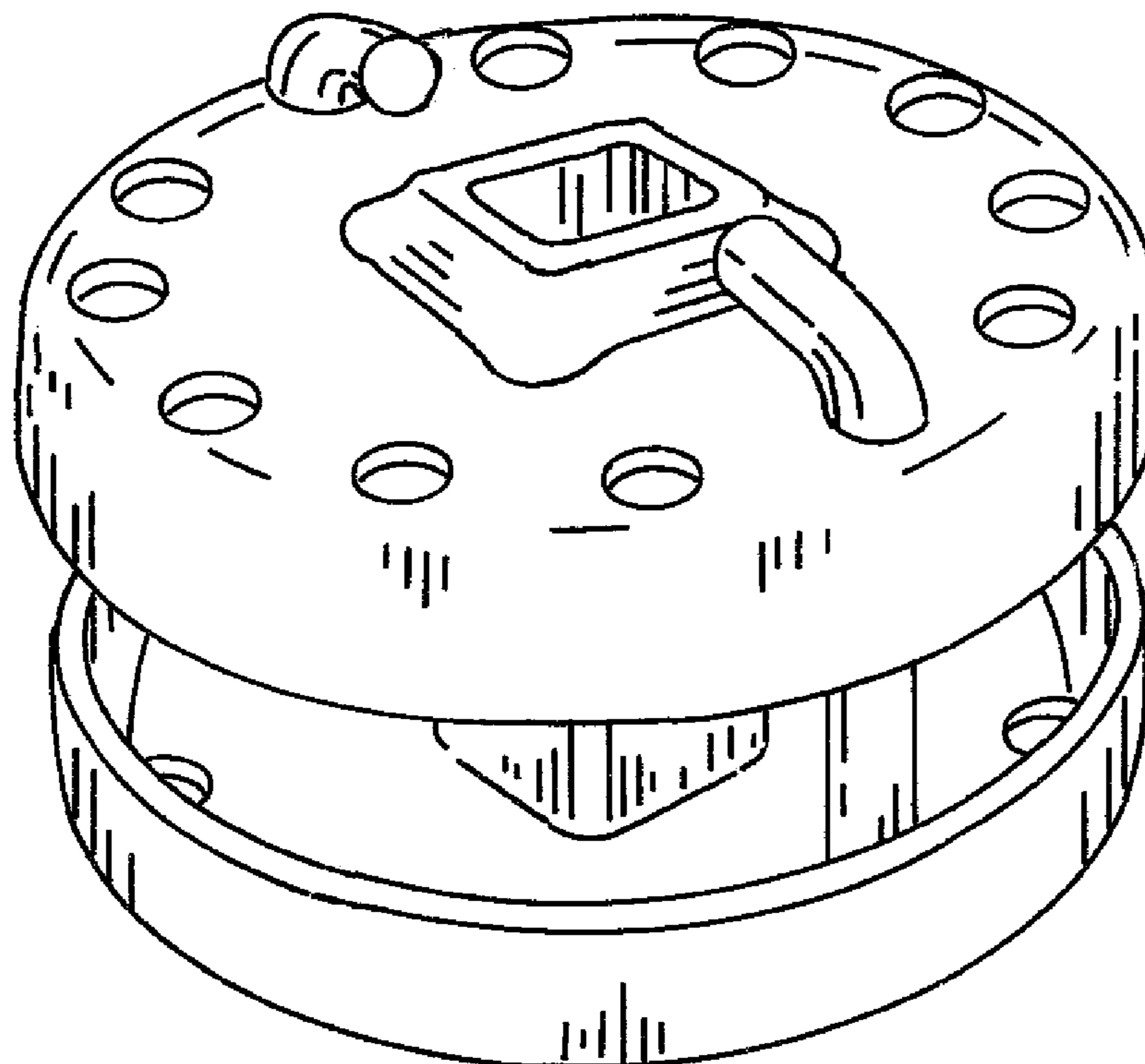
FIG. 4 is a right elevational front view of the design shown in FIG. 1;

FIG. 5 is a left elevational front view of the design shown in FIG. 1;

FIG. 6 is a right elevational rear view of the design shown in FIG. 1; and,

FIG. 7 is a left elevational rear view of the design shown in FIG. 1.

**1 Claim, 4 Drawing Sheets**



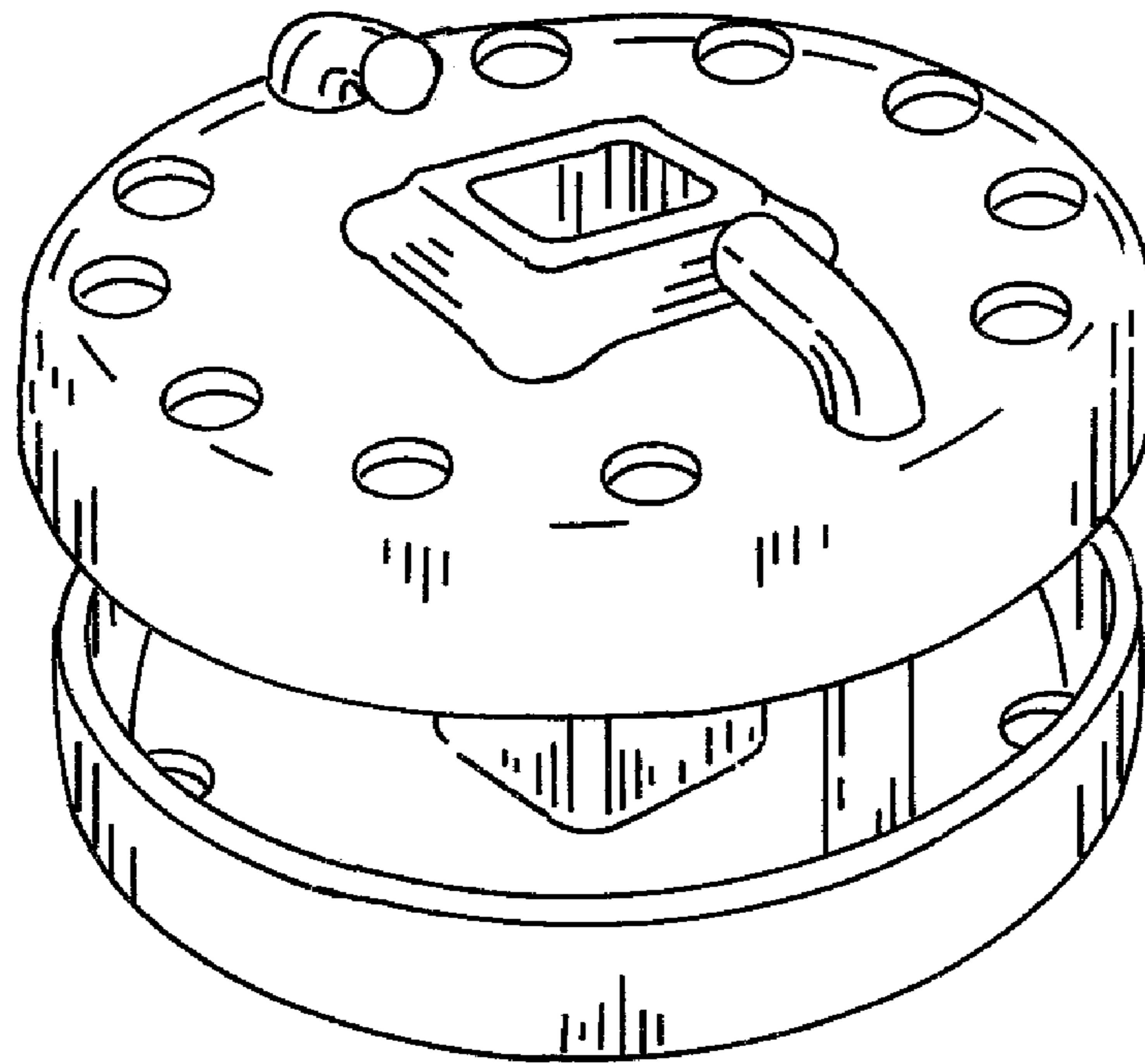


FIG. 1

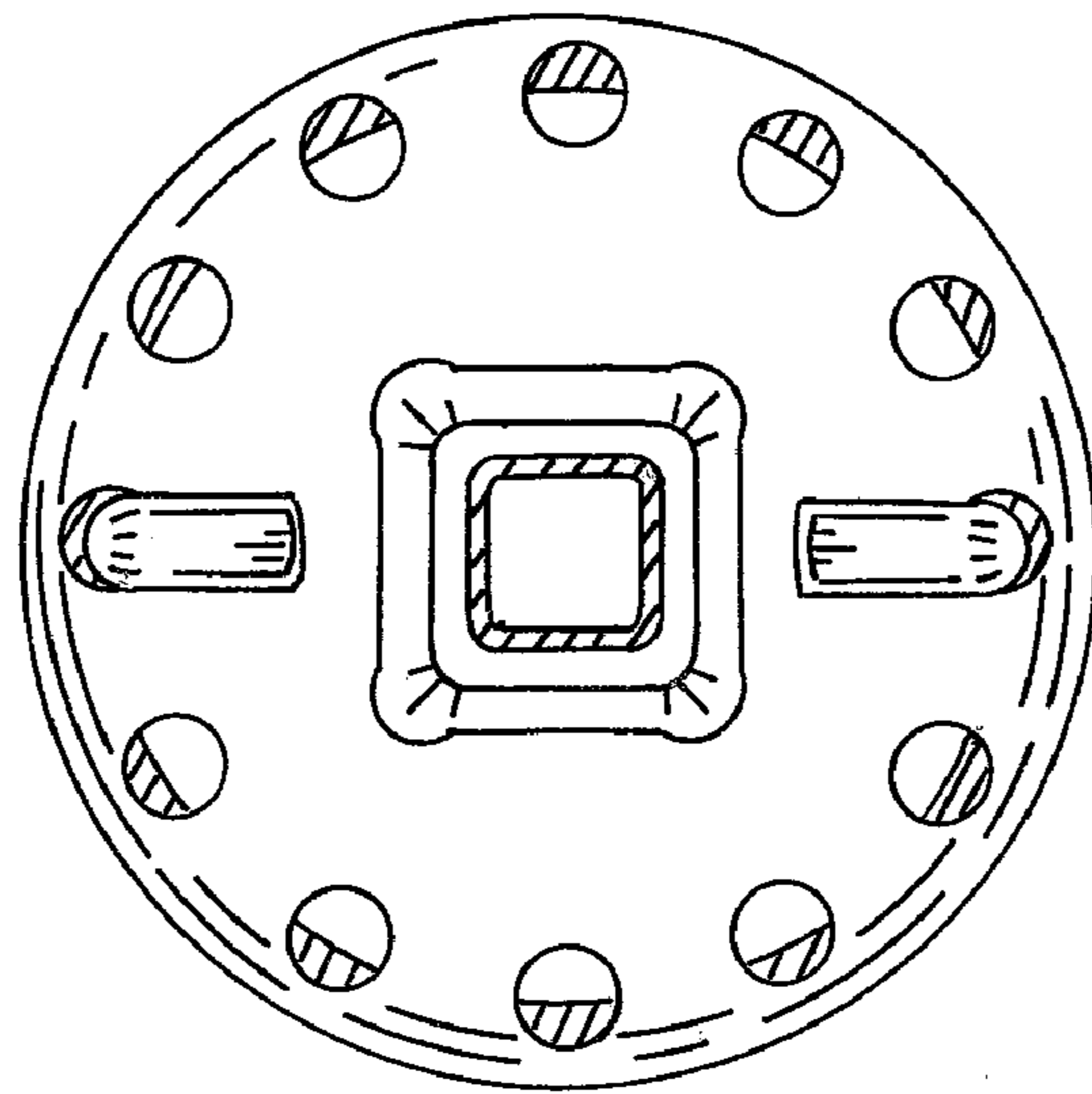


FIG. 2

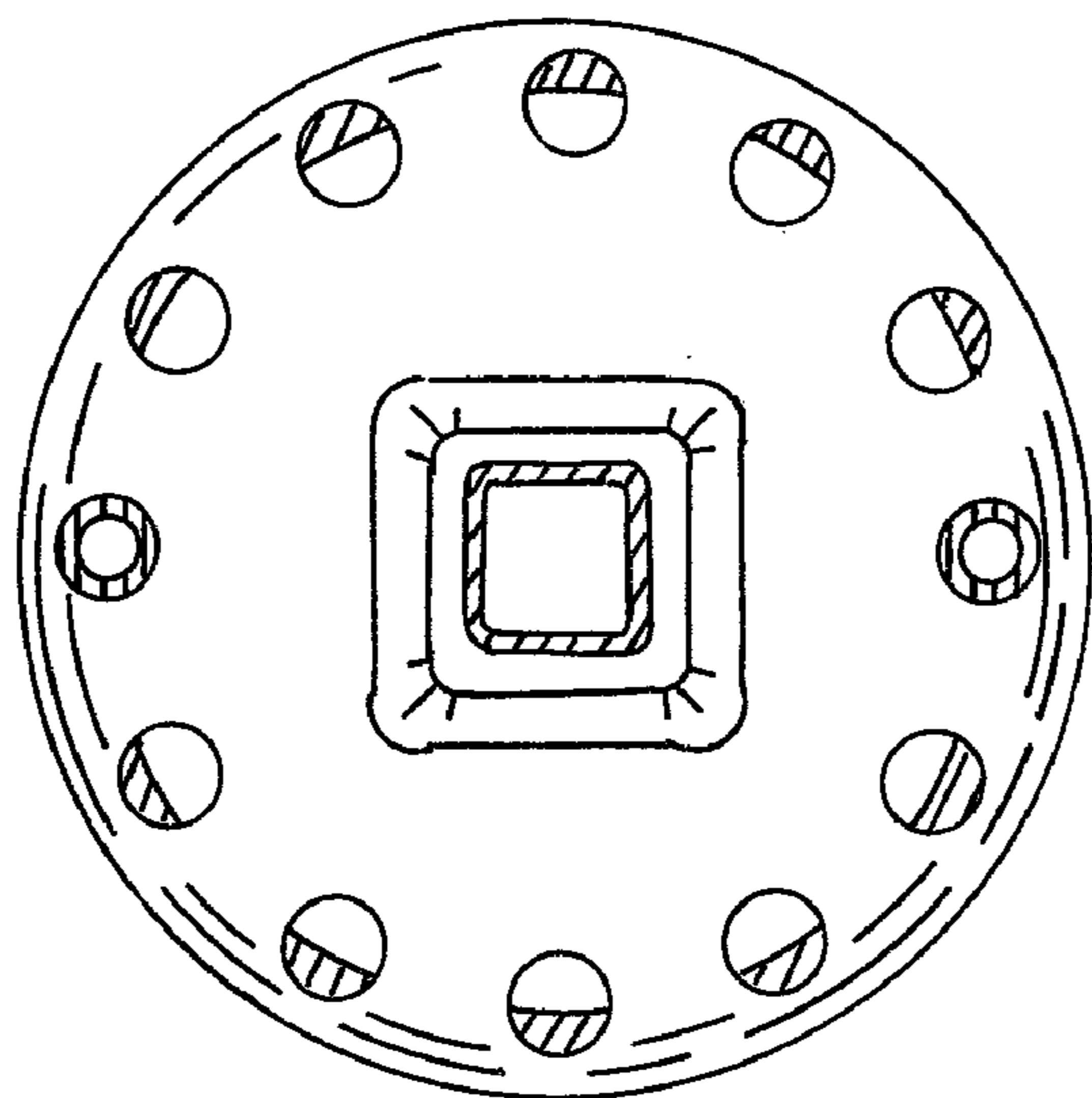


FIG. 3

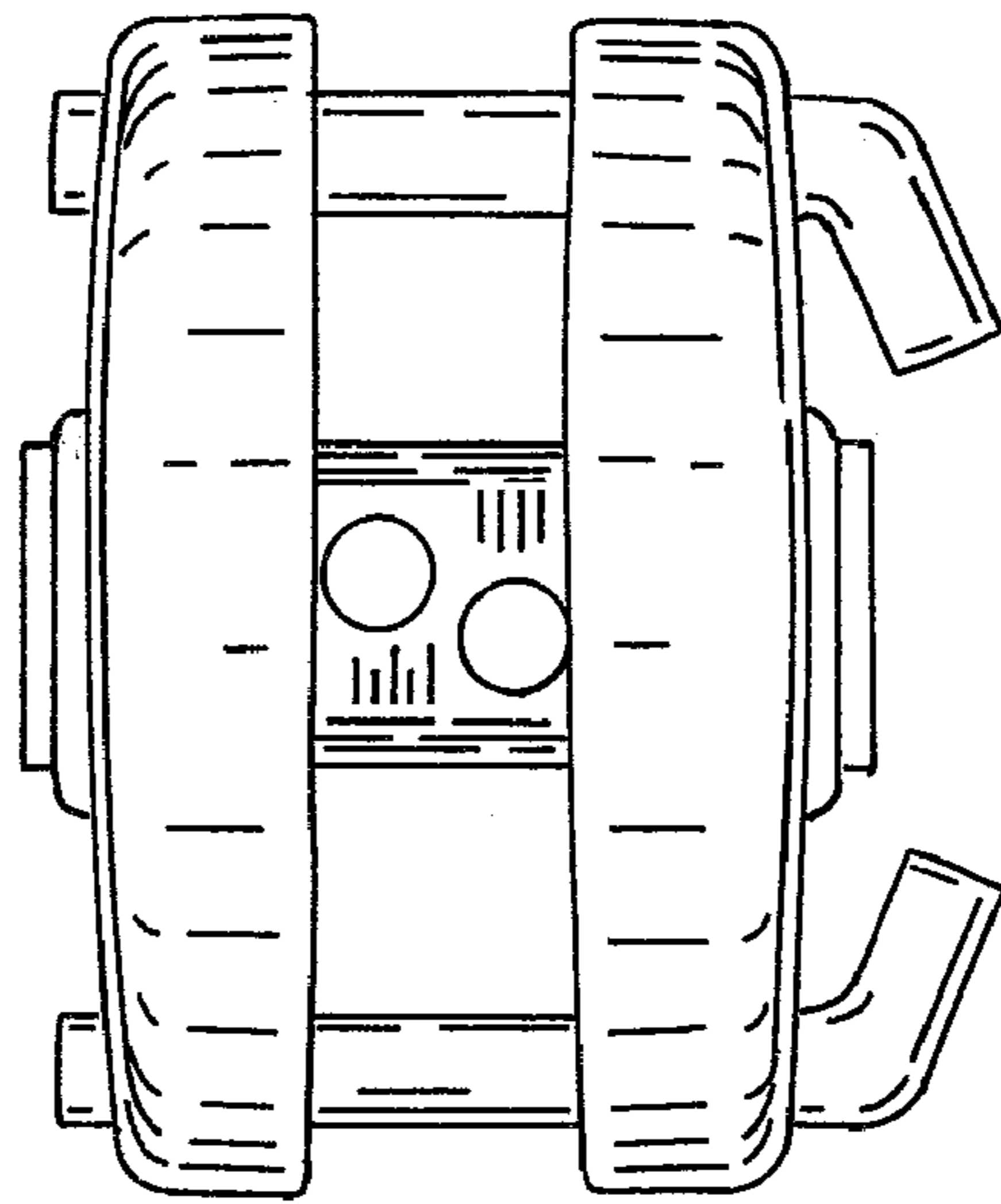


FIG. 4

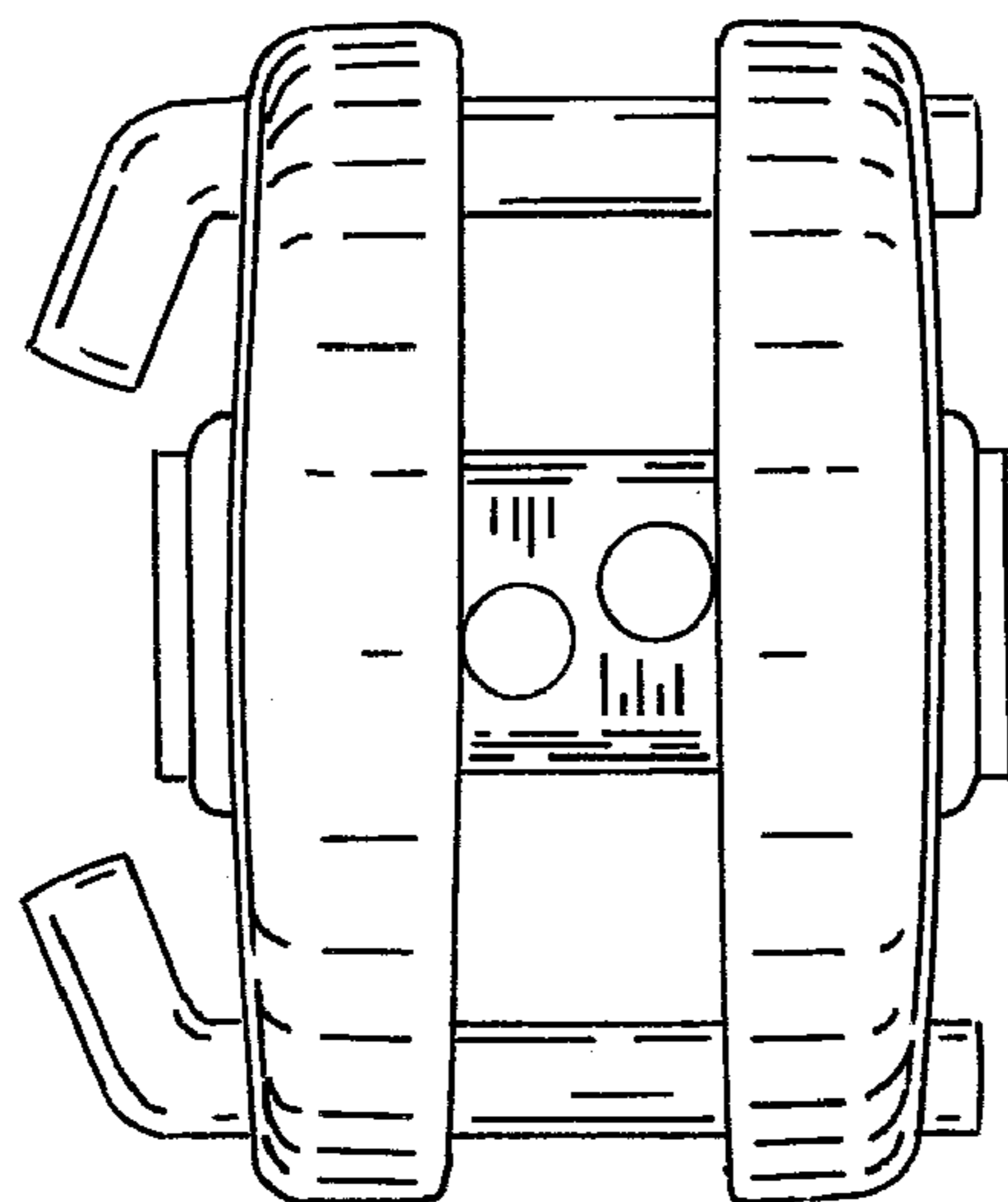


FIG. 5

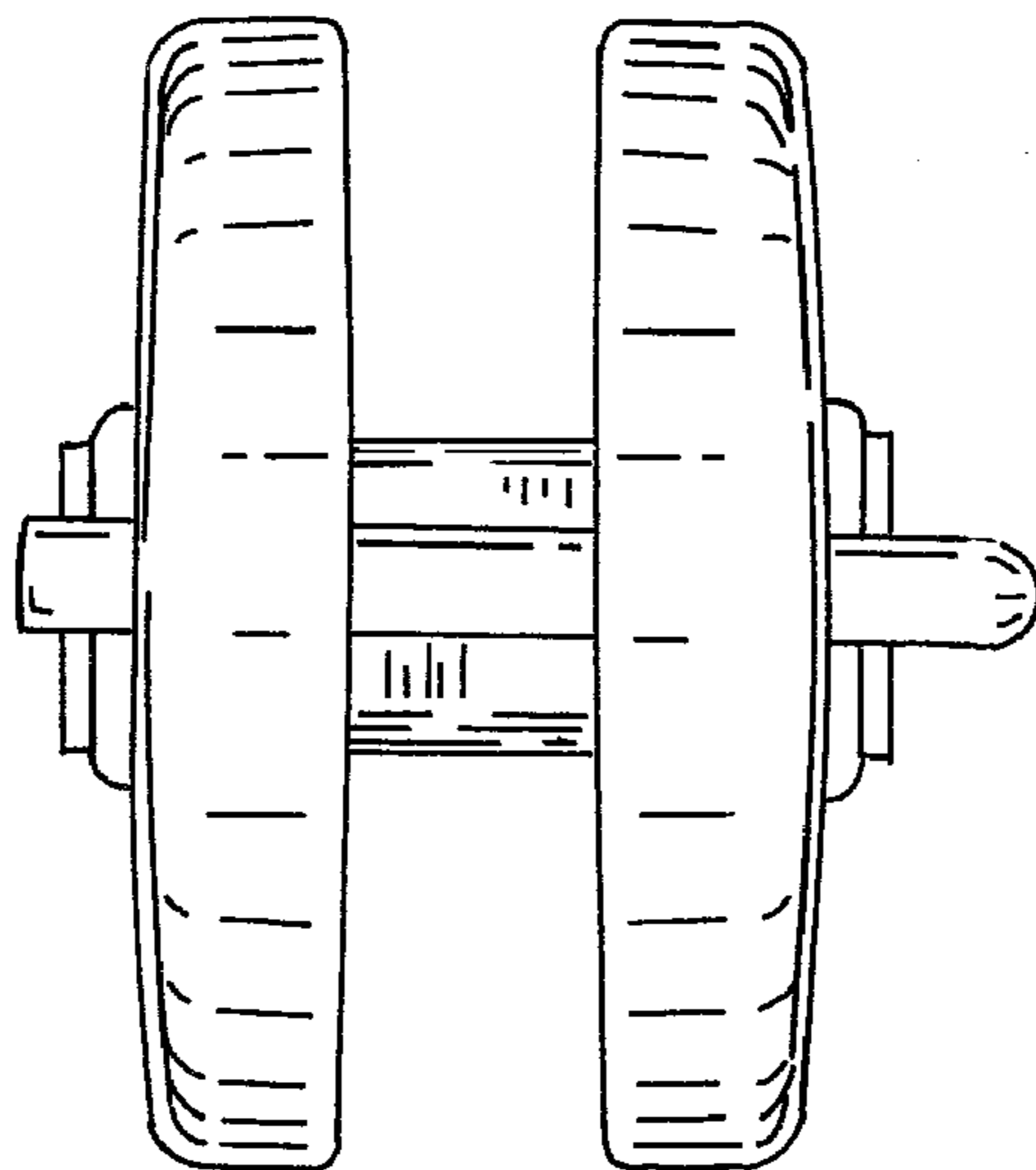


FIG. 6

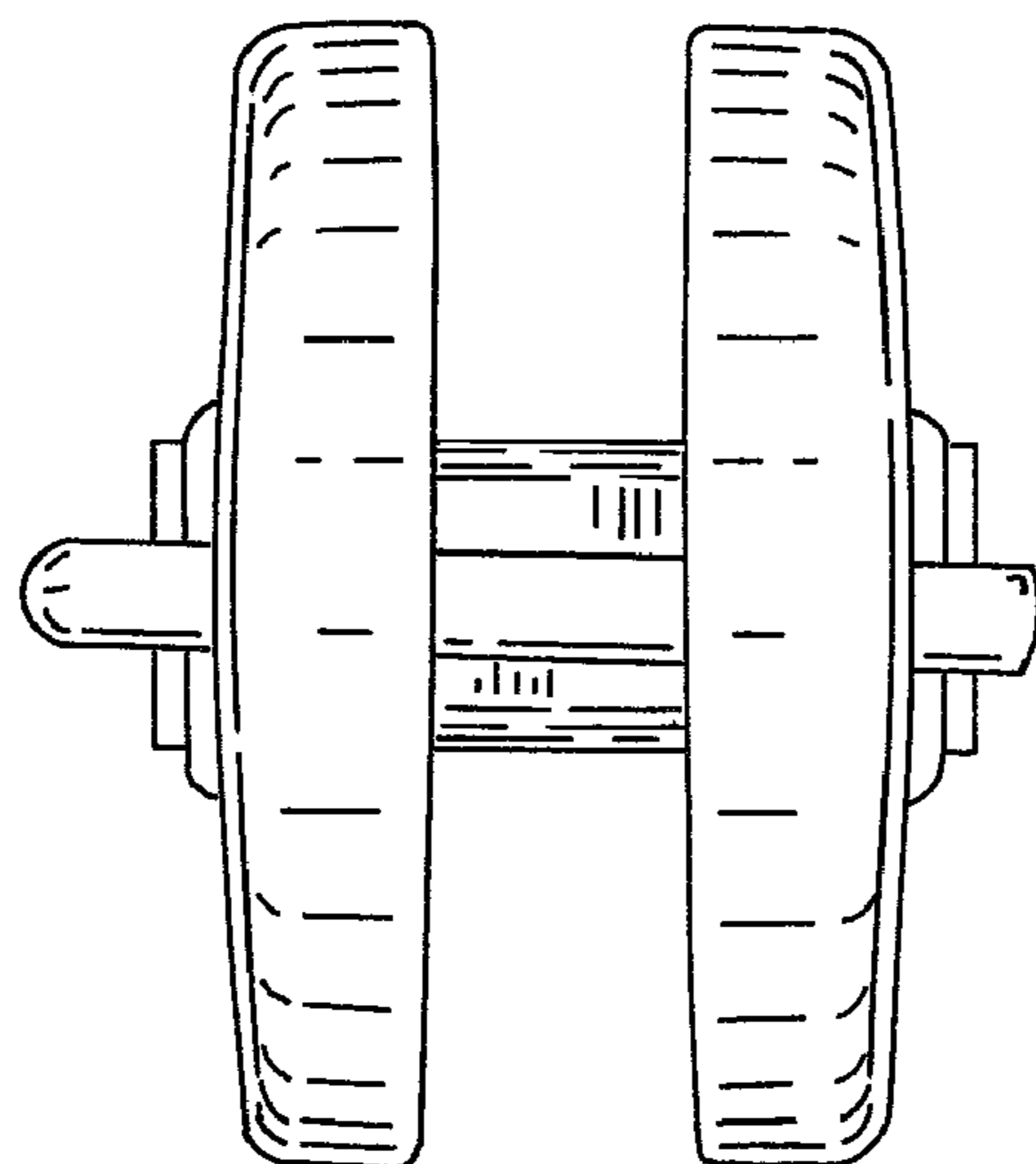


FIG. 7