



US00D613568S

(12) **United States Design Patent**
Yu

(10) **Patent No.:** **US D613,568 S**
(45) **Date of Patent:** **** Apr. 13, 2010**

(54) **RATCHET WRENCH**

(75) Inventor: **Pi-Chun Yu**, Taichung County (TW)

(73) Assignee: **Pacific Professional Tool Company Ltd.**, Taipei (TW)

(**) Term: **14 Years**

(21) Appl. No.: **29/316,418**

(22) Filed: **Sep. 24, 2009**

(51) **LOC (9) Cl.** **08-05**

(52) **U.S. Cl.** **D8/25**

(58) **Field of Classification Search** D8/21-29;
81/60, 177.1, 177.85, 121.1, 124.3, 165-170,
81/110.1, 176.2, 124.6, 176.1, 176.15, 177.2;
16/110.1; D15/144.1; 219/75, 227, 229,
219/121.16, 121.18

See application file for complete search history.

(56) **References Cited**

U.S. PATENT DOCUMENTS

D515,373 S * 2/2006 Chen D8/27
D525,511 S * 7/2006 Hung D8/107

D576,457 S * 9/2008 Chen D8/27
D576,852 S * 9/2008 Lin D8/25
D603,234 S * 11/2009 Lin D8/25
2006/0130615 A1 * 6/2006 Arnold et al. 81/63.2

* cited by examiner

Primary Examiner—Raphael Barkai

Assistant Examiner—Randall H Gholson

(74) *Attorney, Agent, or Firm*—Charles E. Baxley

(57) **CLAIM**

The ornamental design for a ratchet wrench, as shown.

DESCRIPTION

FIG. 1 is a perspective view of a ratchet wrench showing my new design;

FIG. 2 is a front elevational view thereof;

FIG. 3 is a rear elevational view thereof;

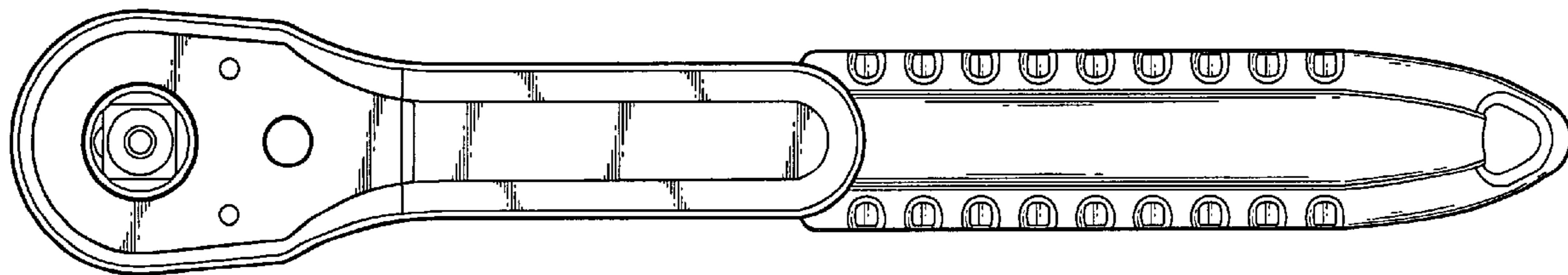
FIG. 4 is a left side view thereof;

FIG. 5 is a right side view of;

FIG. 6 is a top plan view thereof; and,

FIG. 7 is a bottom plan view thereof.

1 Claim, 6 Drawing Sheets



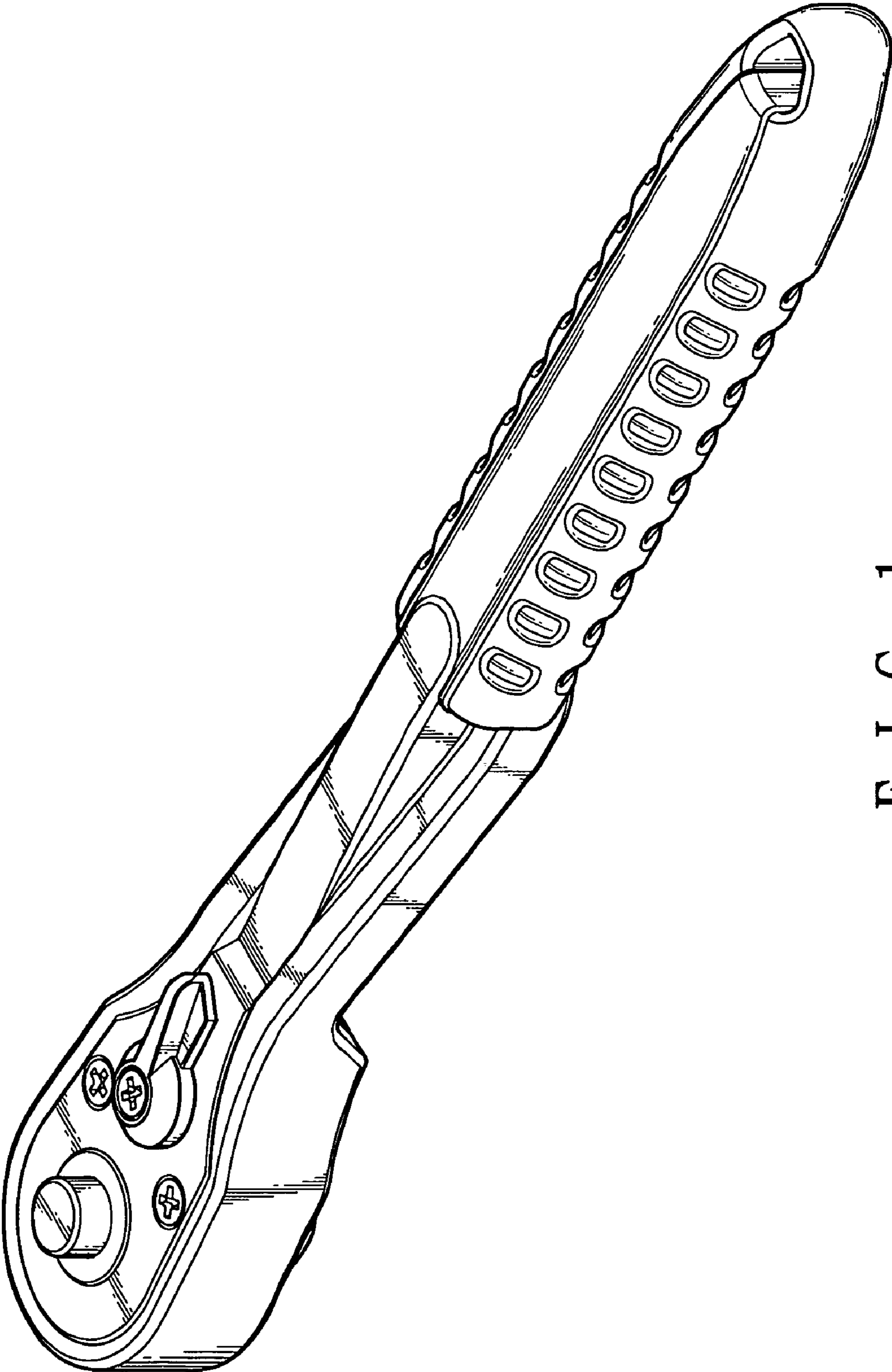


FIG. 1

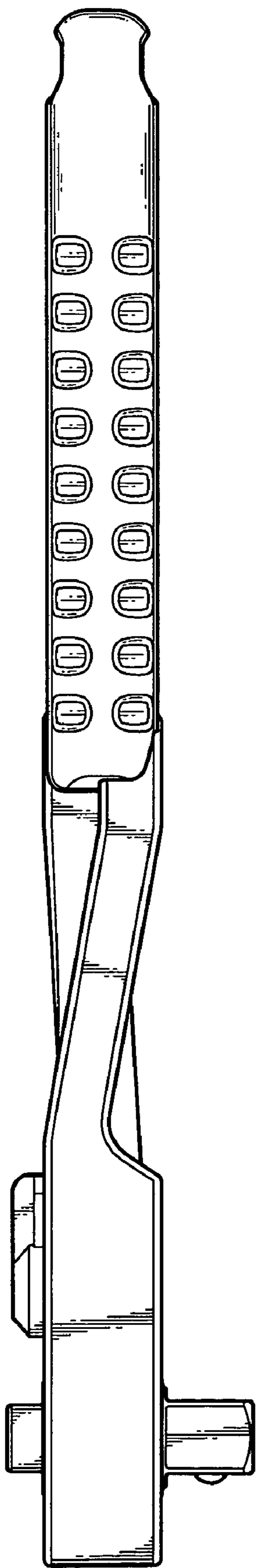


FIG. 2

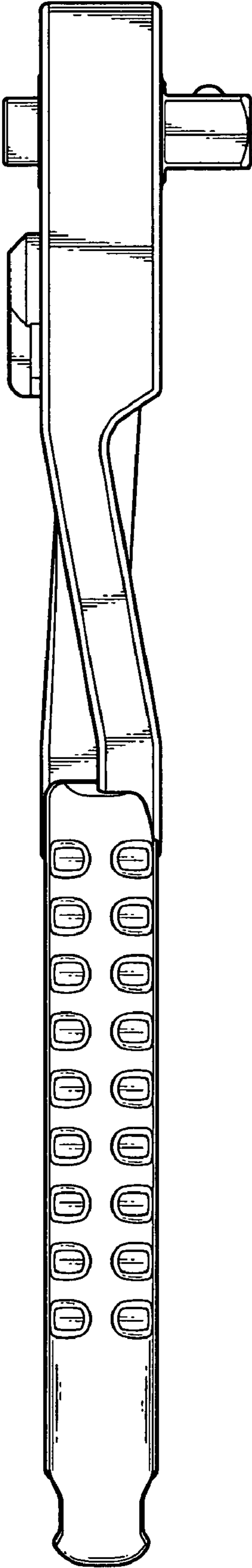


FIG. 3

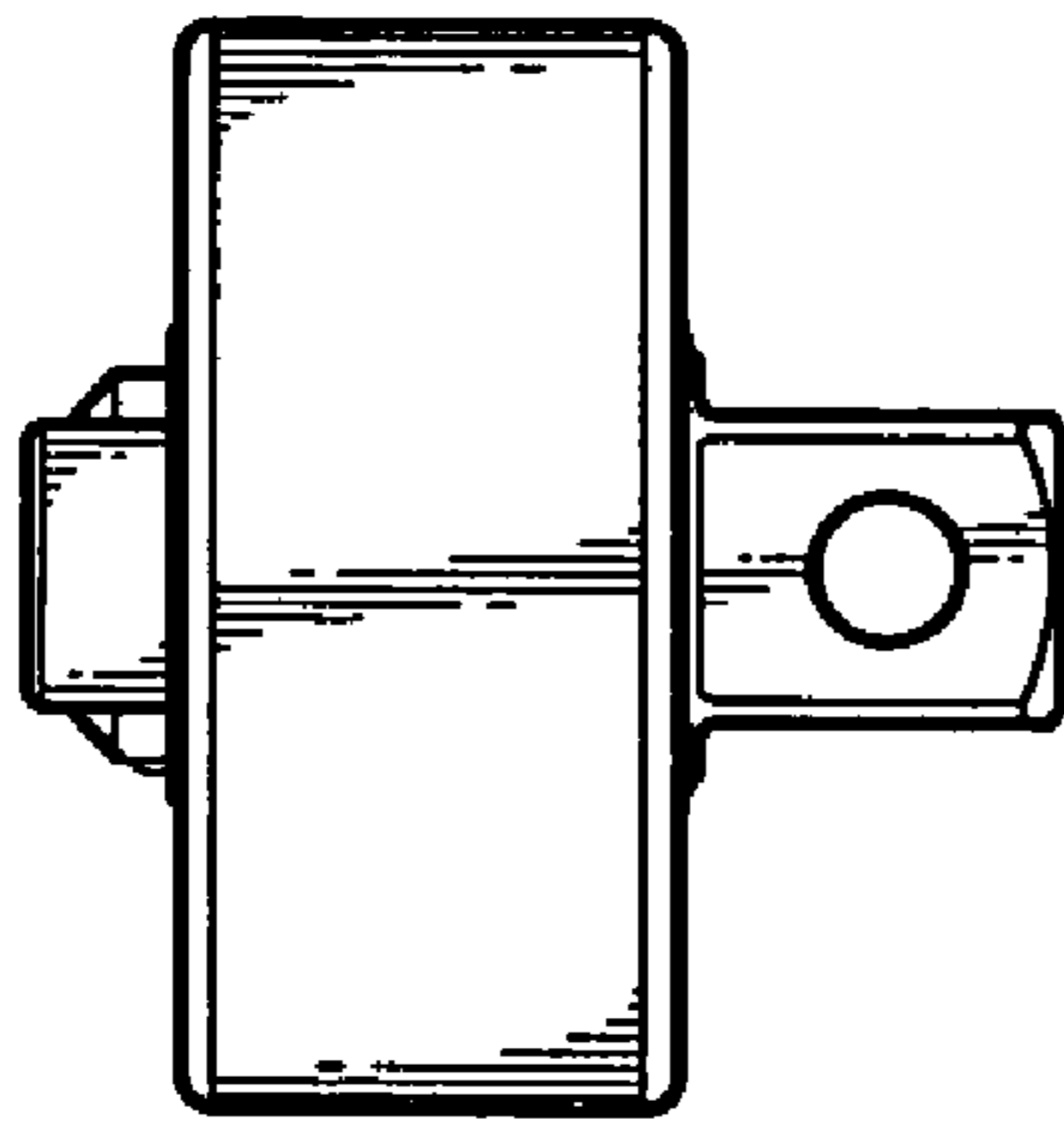


FIG. 4

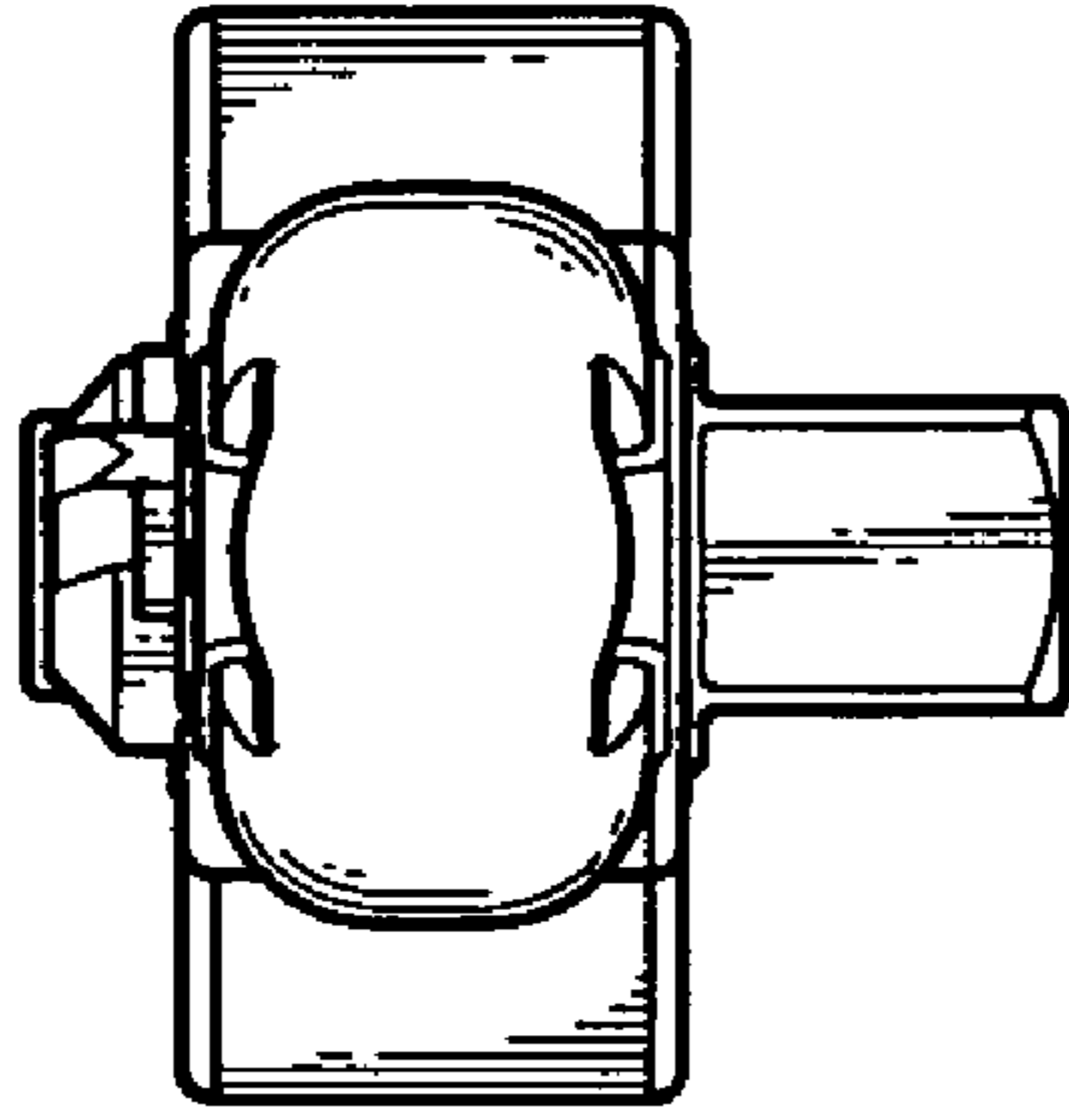


FIG. 5

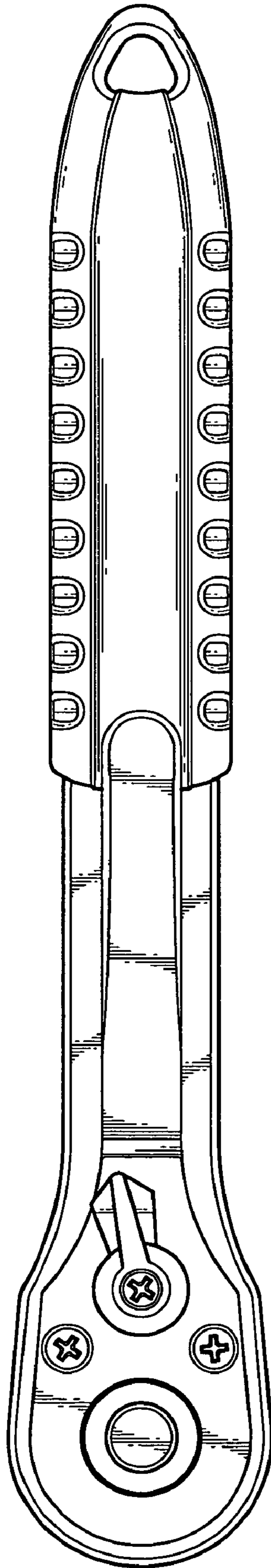


FIG. 6

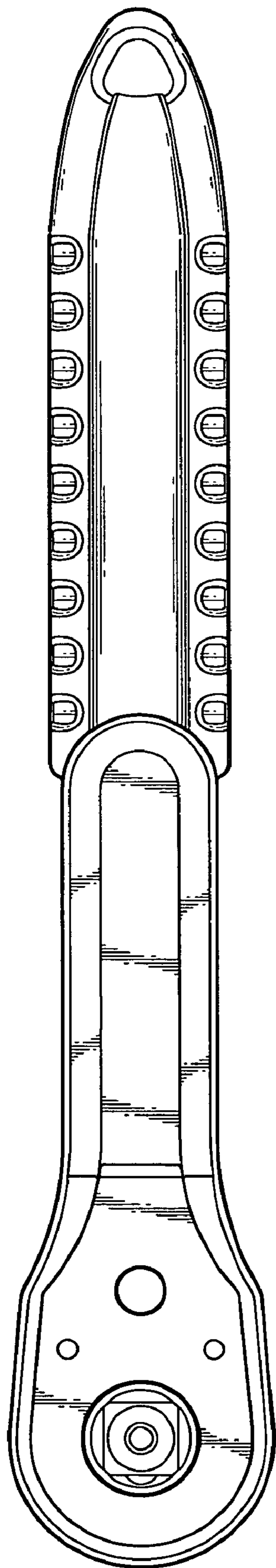


FIG. 7