



US00D613566S

(12) **United States Design Patent**
Chapman et al.

(10) **Patent No.:** **US D613,566 S**
(45) **Date of Patent:** **** Apr. 13, 2010**

(54) **MOLD FOR FORMING A FROZEN FOOD PRODUCT AND HOLDER**

Primary Examiner—Terry A Wallace
(74) *Attorney, Agent, or Firm*—White-Welker & Welker, LLC

(75) Inventors: **Dean Chapman**, Montclair, NJ (US);
Shanbin Adam Chang, Long Island City, NY (US); **Gareth Brown**, Jersey City, NJ (US); **Paul Goetz**, Astoria, NY (US)

(57) **CLAIM**

The ornamental design for a mold for forming a frozen food product and holder, as shown and described.

(73) Assignee: **Freshlink Product Development LLC**, New York, NY (US)

DESCRIPTION

(**) Term: **14 Years**

FIG. 1 is a perspective view of the mold for forming a frozen food product and holder to the present design;

(21) Appl. No.: **29/331,950**

FIG. 2 is a front view of the mold for forming a frozen food product and holder of the present design;

(22) Filed: **Feb. 5, 2009**

(51) **LOC (9) Cl.** **07-04**

FIG. 3 is a side view of the mold for forming a frozen food product and holder of the present design;

(52) **U.S. Cl.** **D7/672**

(58) **Field of Classification Search** D7/672–676,
D7/368, 669; D1/101, 102, 105, 127; 425/118,
425/126.2; 249/91, 92, 121; 294/87.11
See application file for complete search history.

FIG. 4 is a top view of the holder of the present design;

FIG. 5 is a bottom view of the holder of the present design taken from the side opposite that of FIG. 4;

(56) **References Cited**

U.S. PATENT DOCUMENTS

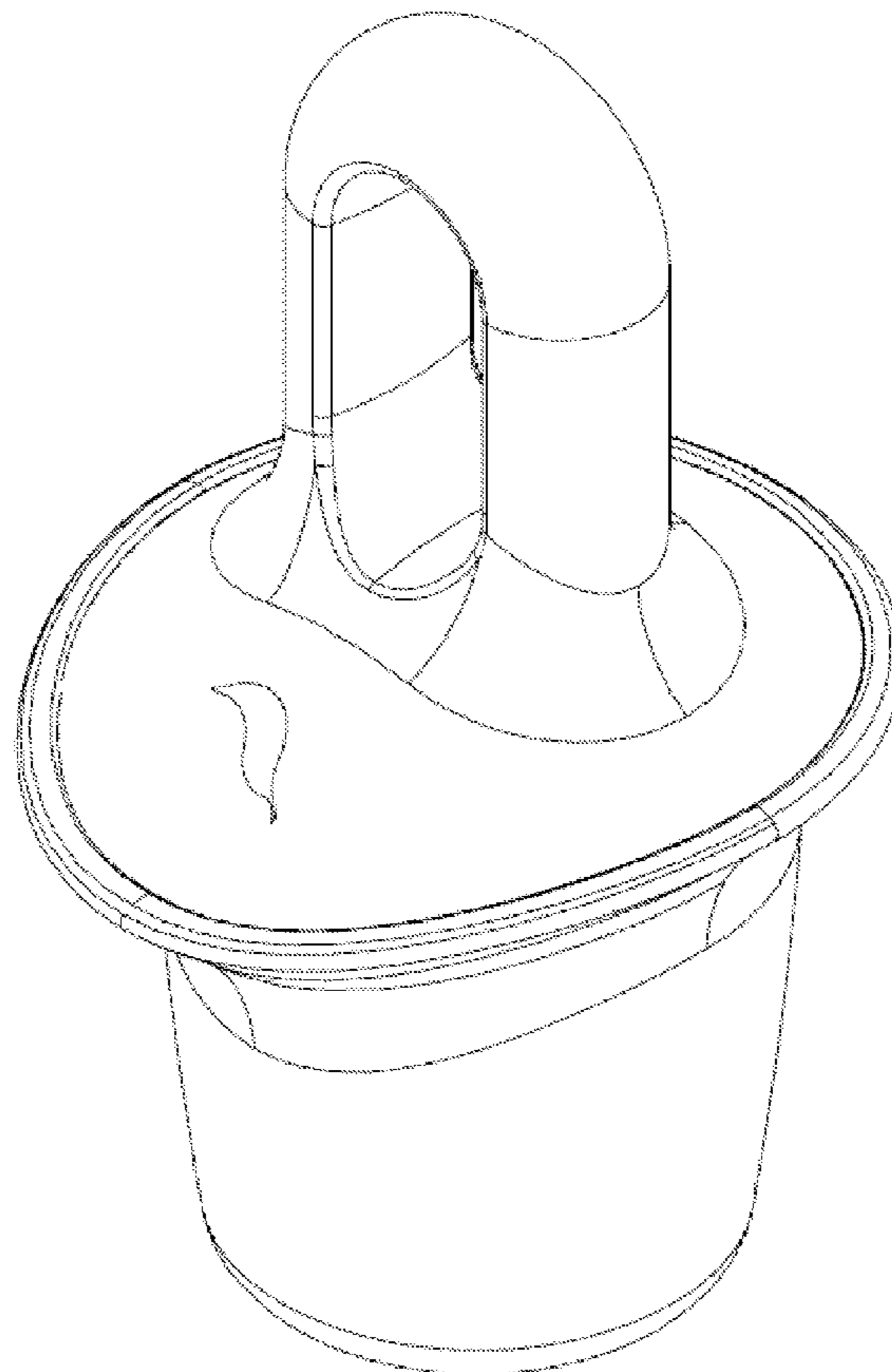
3,411,463 A * 11/1968 Moseres 249/92
5,354,191 A * 10/1994 Bobis 425/118

FIG. 6 is an exploded perspective view of the mold for forming a frozen food product and holder of the present design; and,

FIG. 7 is a cross section view of mold for forming a frozen food product and holder.

* cited by examiner

1 Claim, 7 Drawing Sheets



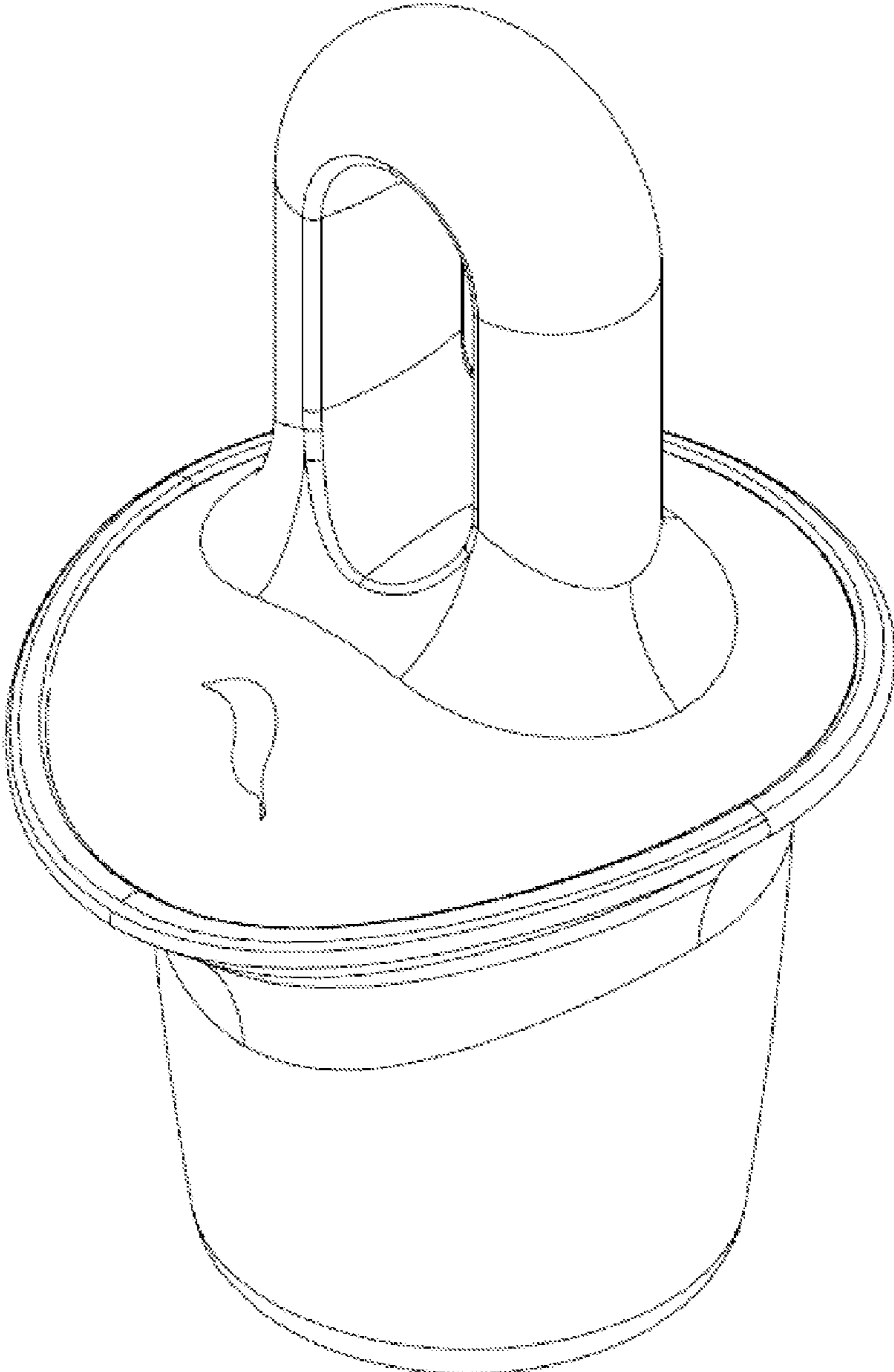


Fig. 1

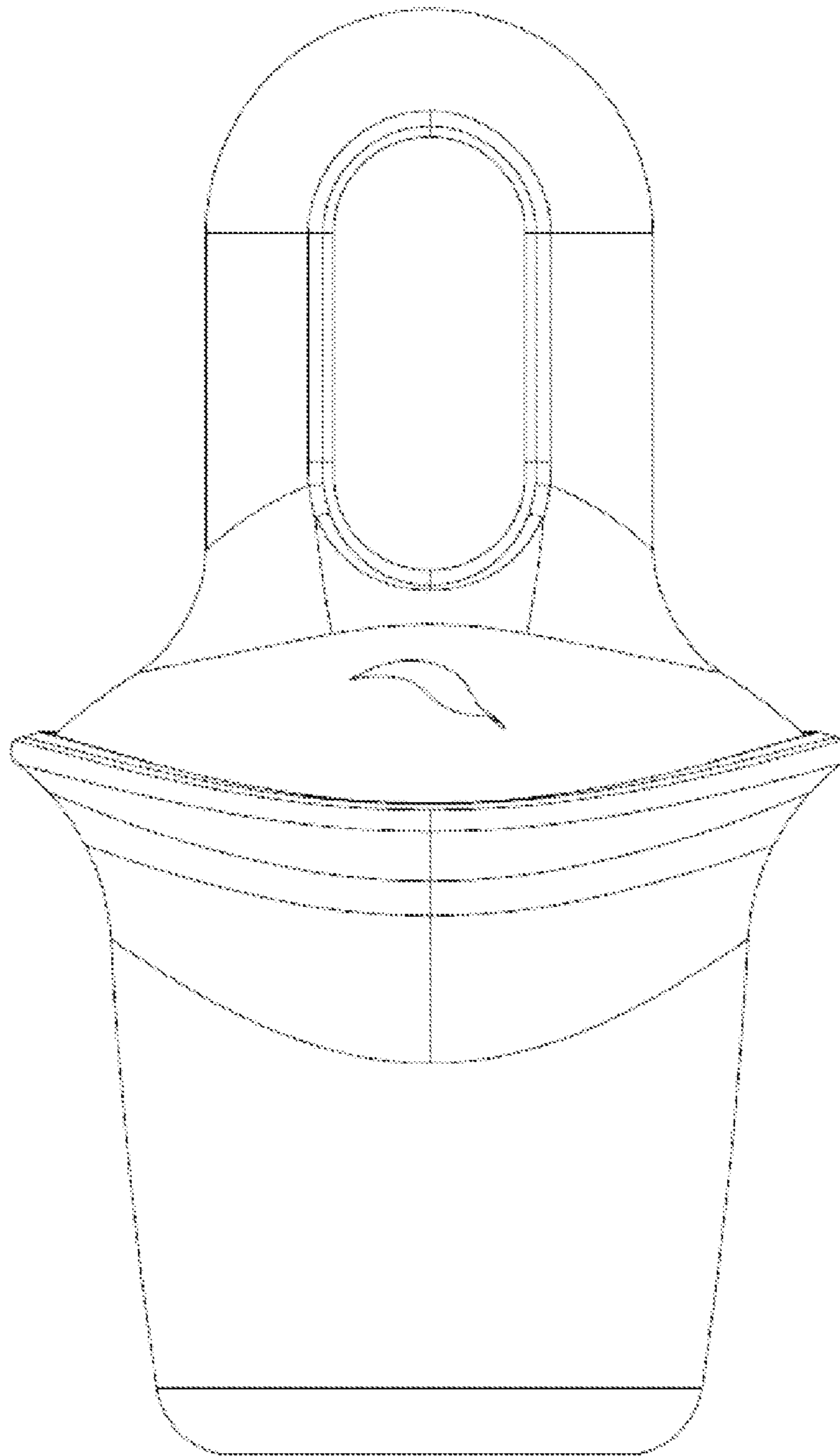


Fig. 2

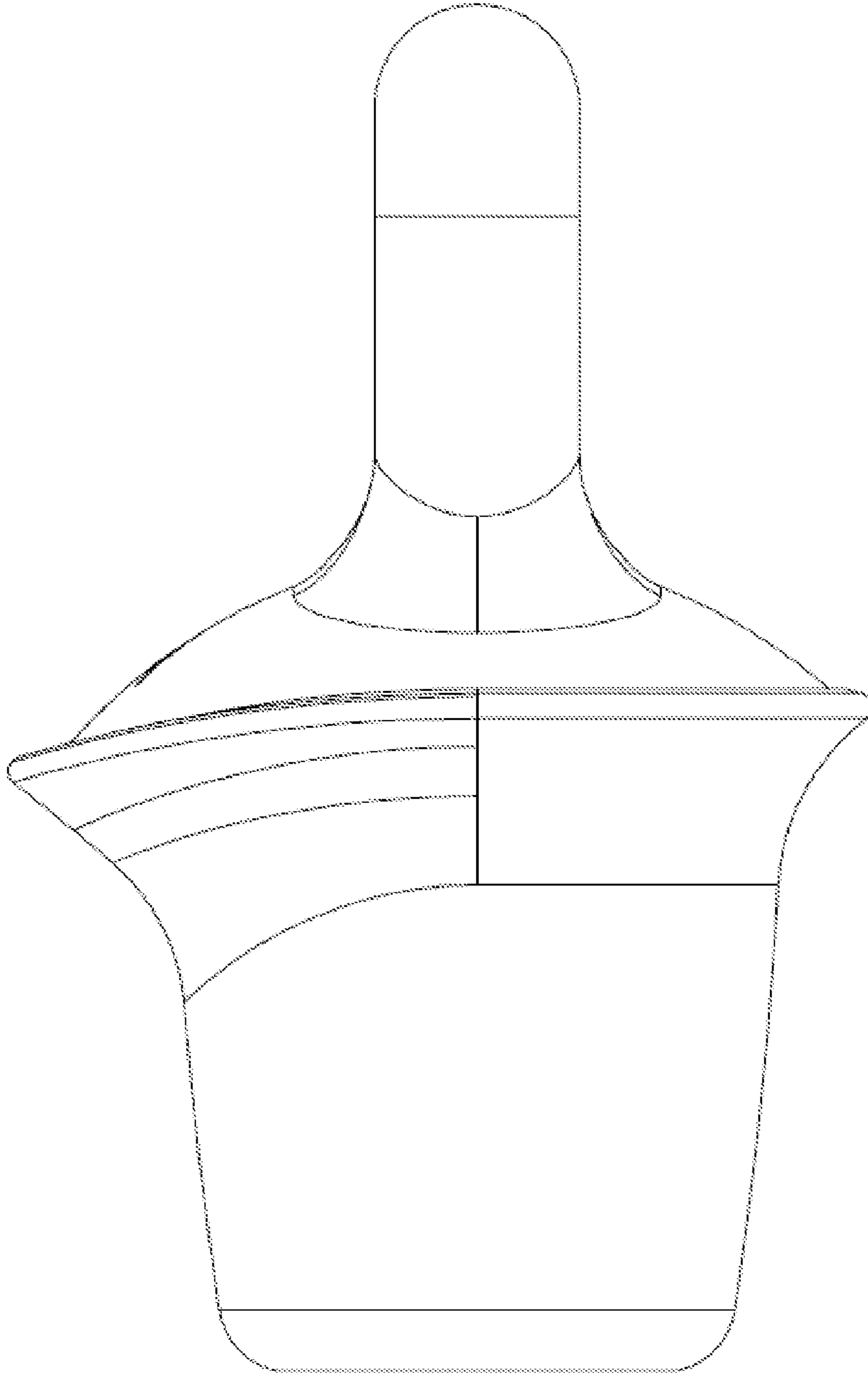


Fig. 3

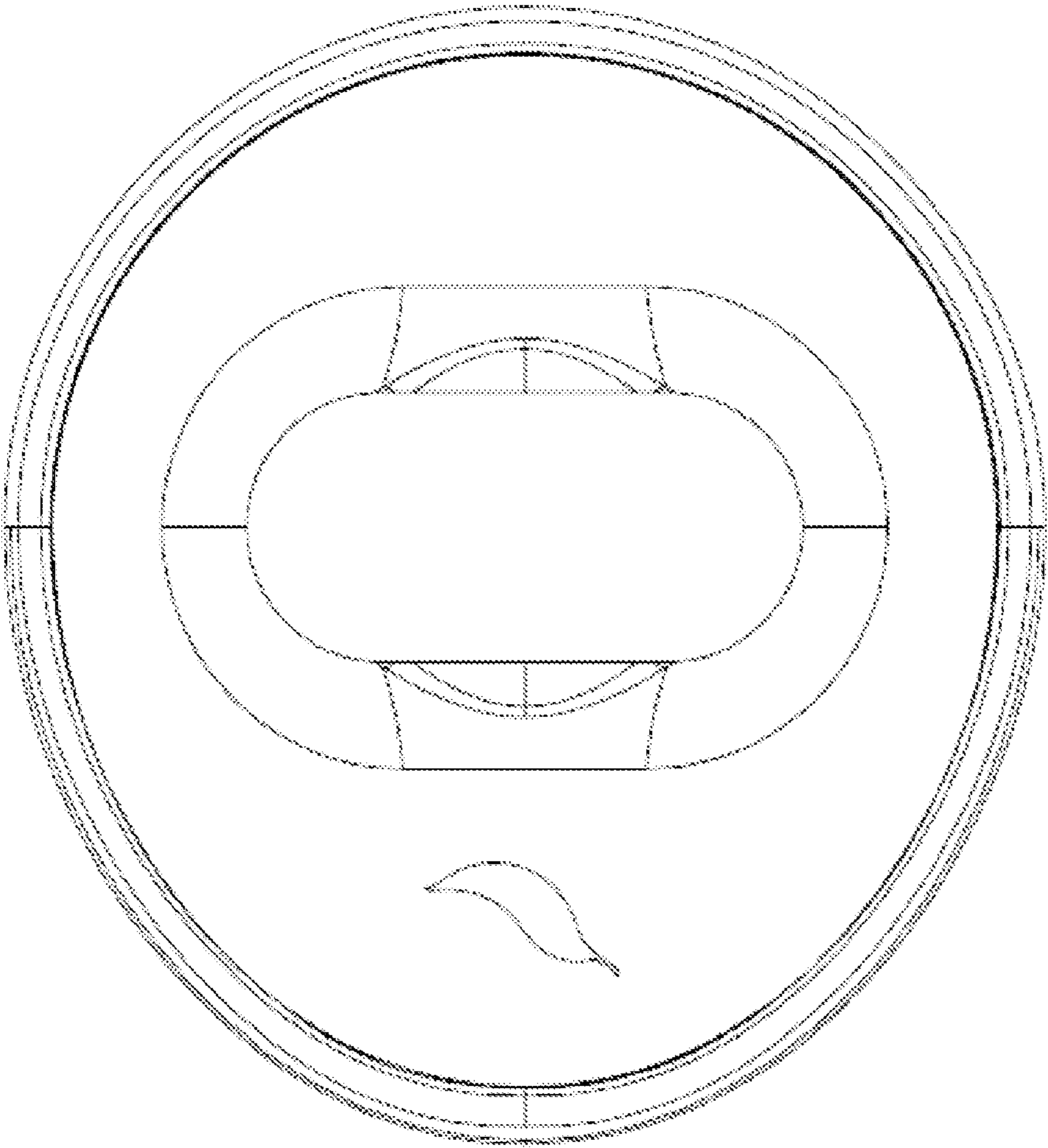


Fig. 4

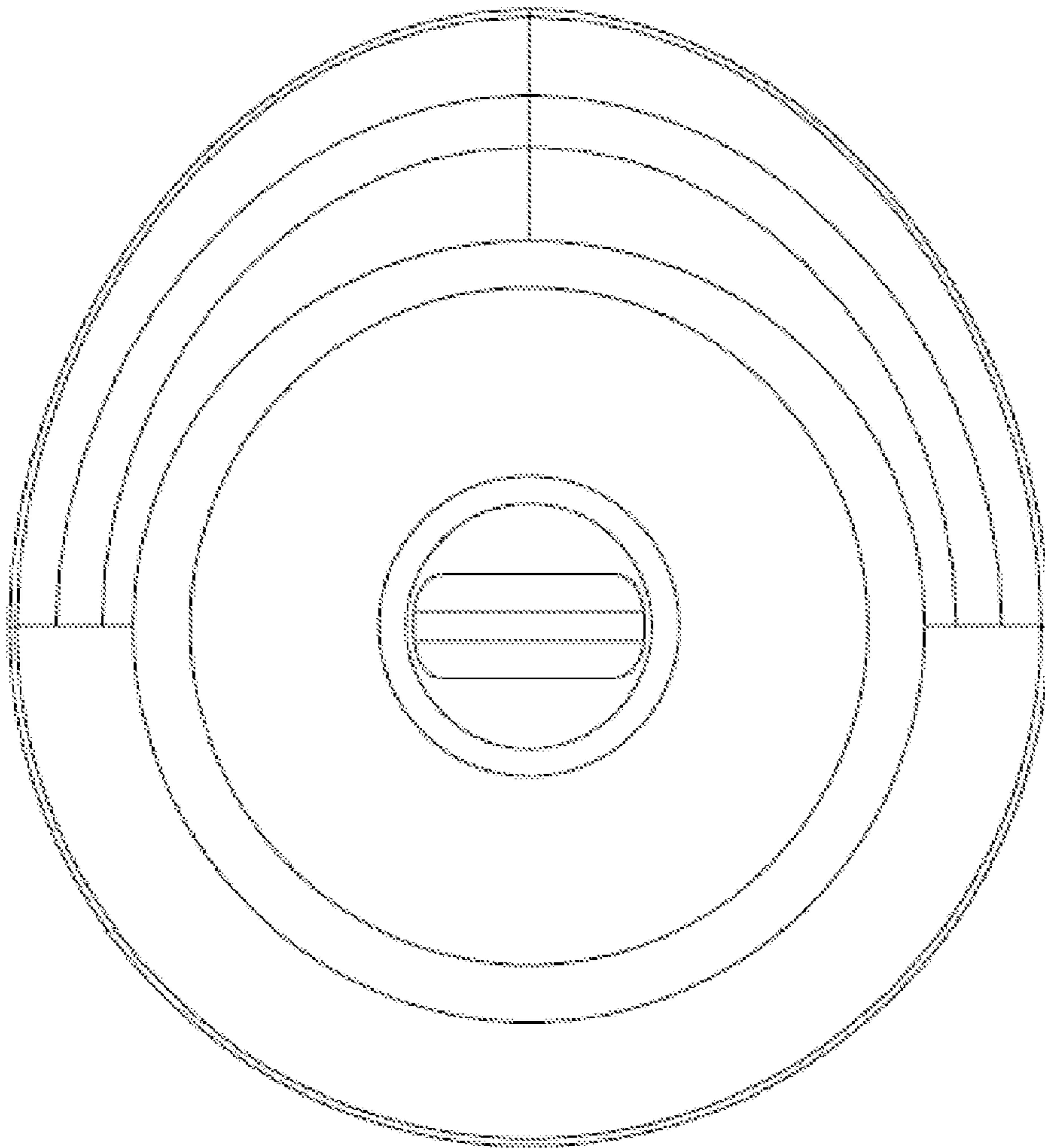


Fig. 5

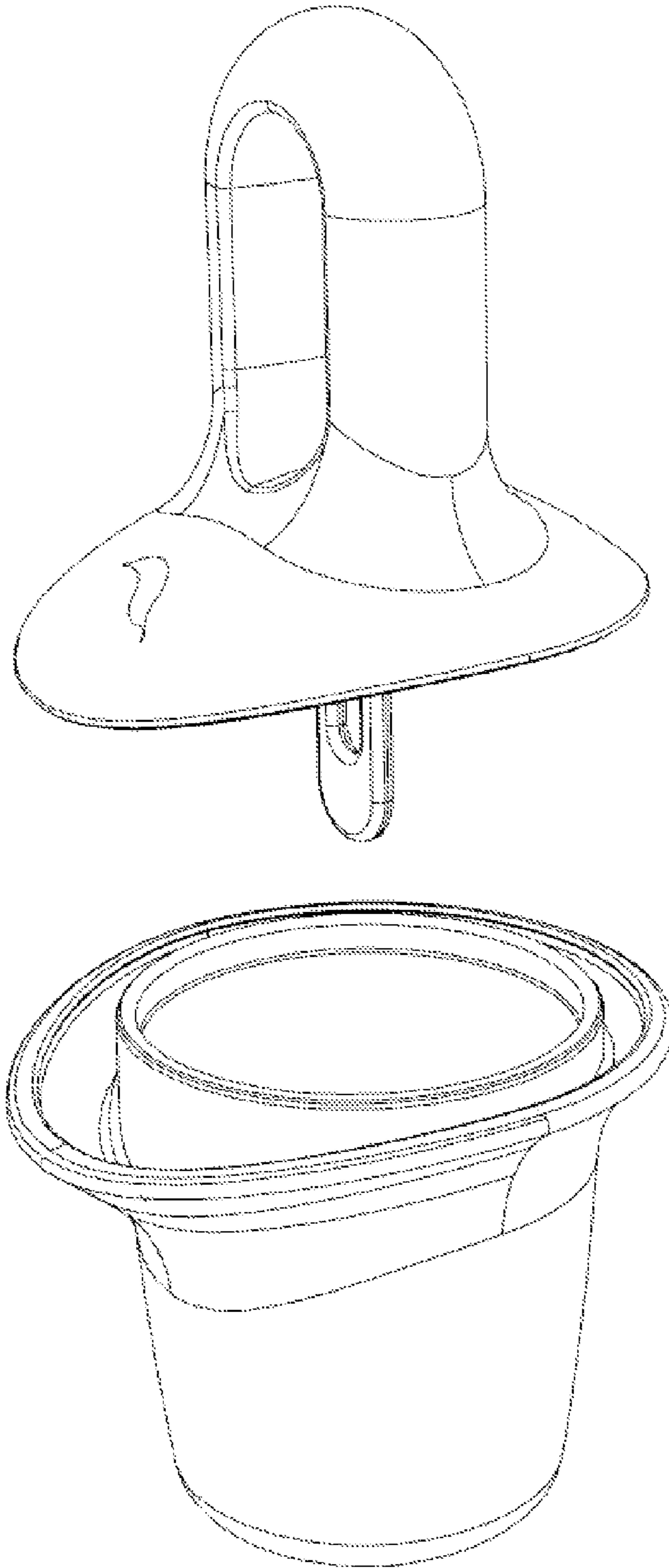


Fig. 6

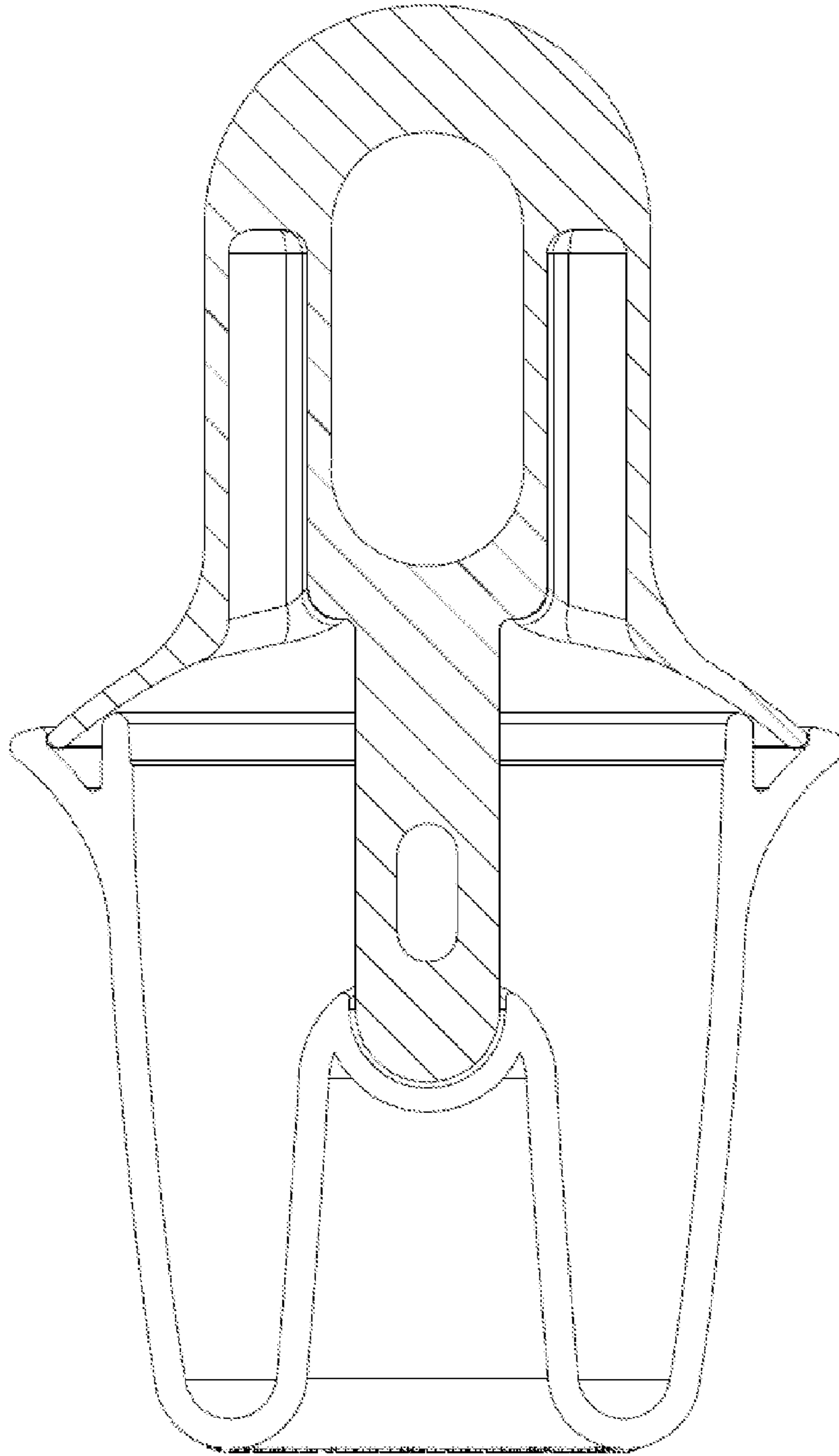


Fig. 7