



US00D613560S

(12) **United States Design Patent**  
**Robichaud et al.**

(10) **Patent No.:** **US D613,560 S**  
(45) **Date of Patent:** **\*\* Apr. 13, 2010**

(54) **MOBILE COOLER**

(76) Inventors: **David Robichaud**, 2100 Mediterran Ave.  
#102, Virginia Beach, VA (US) 23451;  
**David Blair**, 2100 Mediterran Ave. #102,  
Virginia Beach, VA (US) 23451

(\*\*) Term: **14 Years**

(21) Appl. No.: **29/314,655**

(22) Filed: **Apr. 16, 2009**

(51) **LOC (9) Cl.** ..... **07-01**

(52) **U.S. Cl.** ..... **D7/605**

(58) **Field of Classification Search** ..... D7/603-608,  
D7/629, 602; 62/457.1-457.9, 371, 372,  
62/331; 220/915.1, 915.2, 592.01, 592.03,  
220/592.19, 592.16, 592.2; 280/645, 655,  
280/641, 29, 30, 47.37, 47.34, 47.1, 47.371,  
280/43.1

See application file for complete search history.

(56) **References Cited**

**U.S. PATENT DOCUMENTS**

- 4,724,681 A 2/1988 Bartholomew et al.
- 4,846,493 A \* 7/1989 Mason ..... 280/641
- 4,873,841 A 10/1989 Bradshaw et al.
- D322,915 S 1/1992 Franklin
- D353,304 S \* 12/1994 Friedrich ..... D7/605
- 5,407,218 A 4/1995 Jackson
- D415,658 S \* 10/1999 Frehse ..... D7/605

- D429,606 S 8/2000 Israel et al.
- D467,770 S 12/2002 Blalock
- 6,497,424 B2 12/2002 Gartner et al.
- D480,276 S 10/2003 Duarte et al.
- D484,004 S \* 12/2003 Lee ..... D7/605
- D528,368 S 9/2006 Maldonado
- D534,771 S \* 1/2007 Zorn ..... D7/605
- 2007/0101754 A1 \* 5/2007 Maldonado ..... 62/457.7

\* cited by examiner

*Primary Examiner*—Terry A Wallace

(74) *Attorney, Agent, or Firm*—Joseph T. Yaksick

(57) **CLAIM**

The ornamental design for a mobile cooler, as shown and described.

**DESCRIPTION**

FIG. 1 is a front isometric view of a mobile cooler, as shown and described;

FIG. 2 is a front view thereof;

FIG. 3 is a rear view thereof;

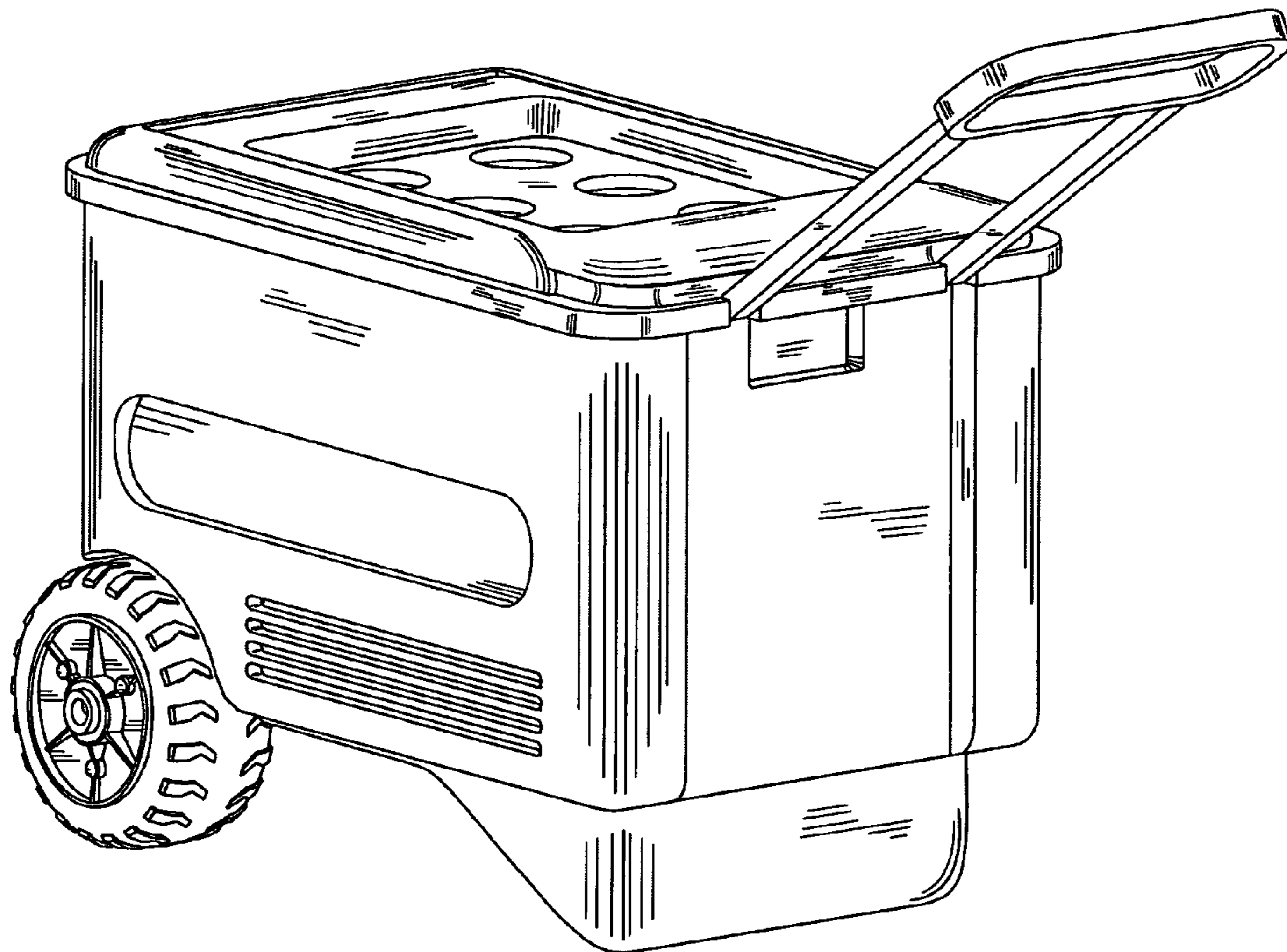
FIG. 4 is a left side view with a right side view being the mirror image thereof;

FIG. 5 is a top view thereof;

FIG. 6 is a bottom view thereof; and,

FIG. 7 is a rear isometric view of the mobile cooler with a lid in a partially open position.

**1 Claim, 7 Drawing Sheets**



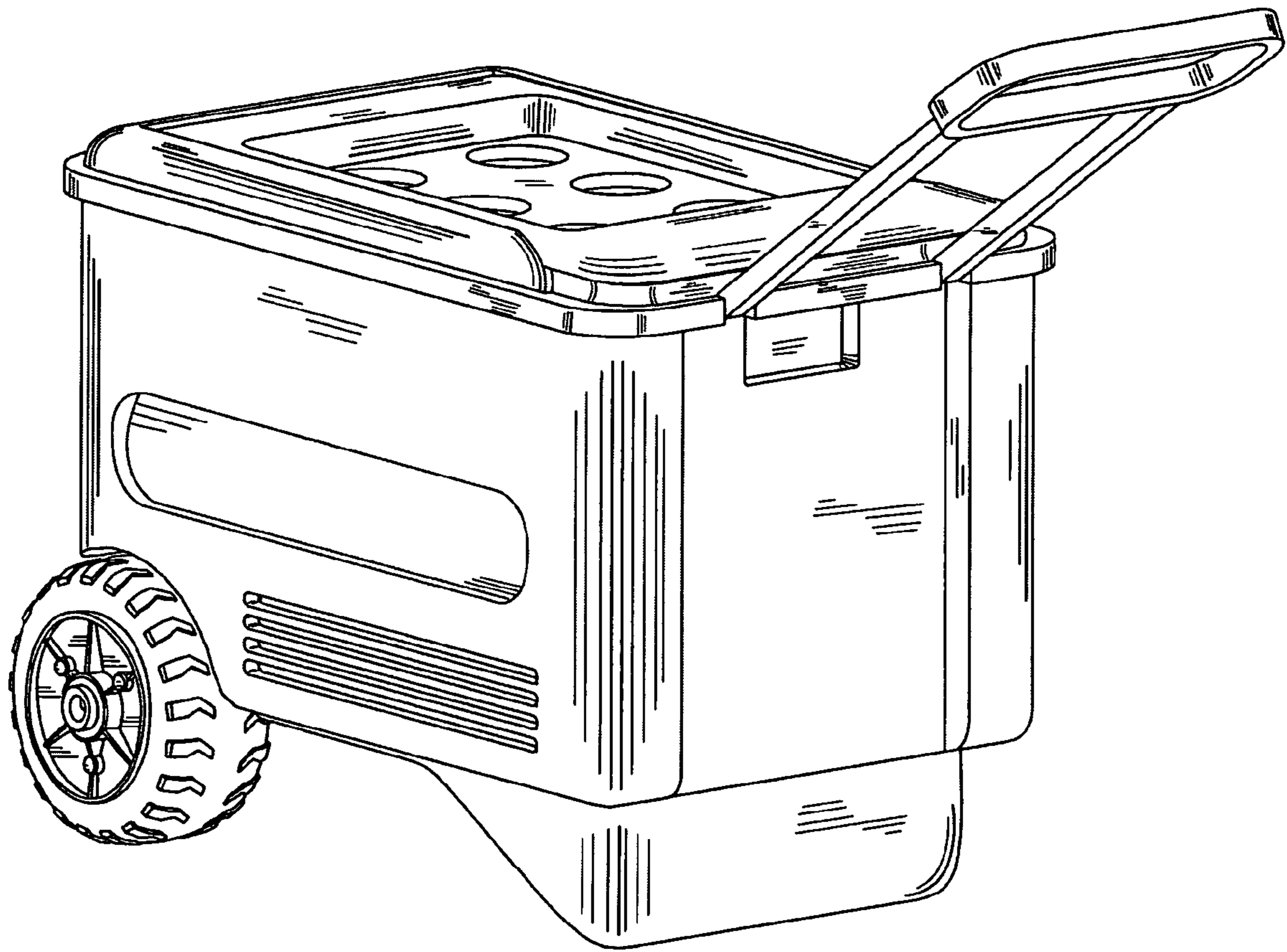


Fig. 1

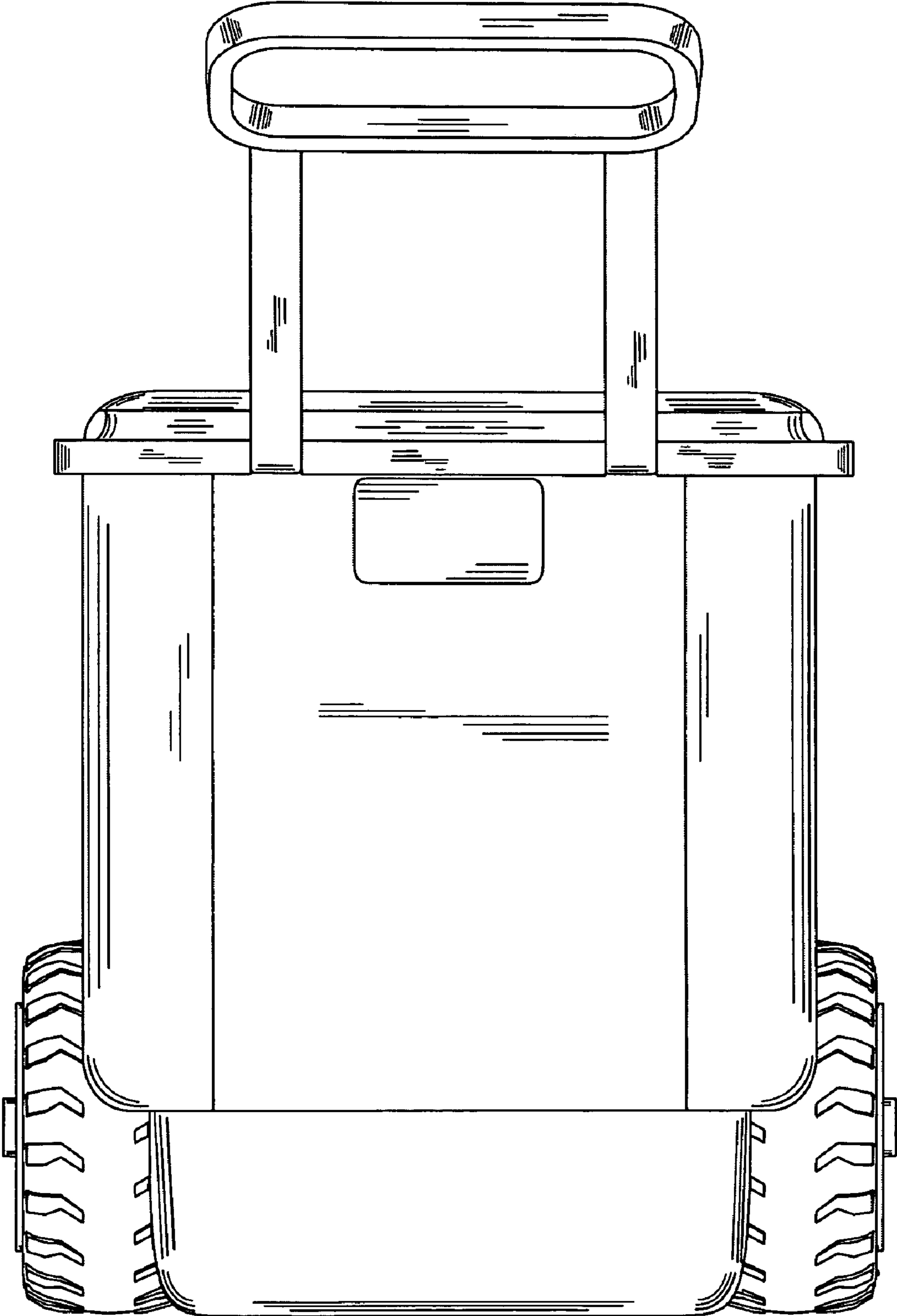


Fig. 2

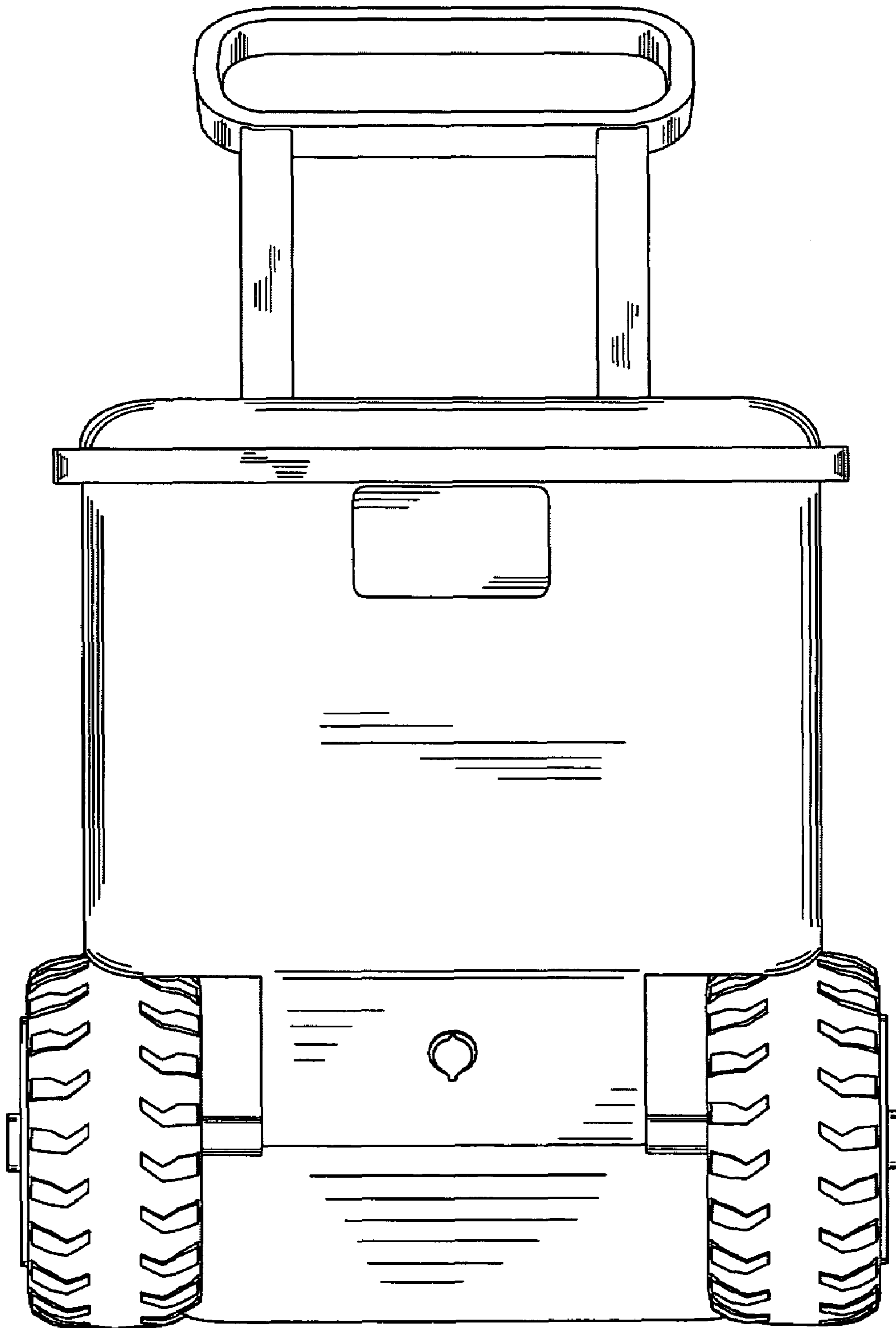


Fig. 3

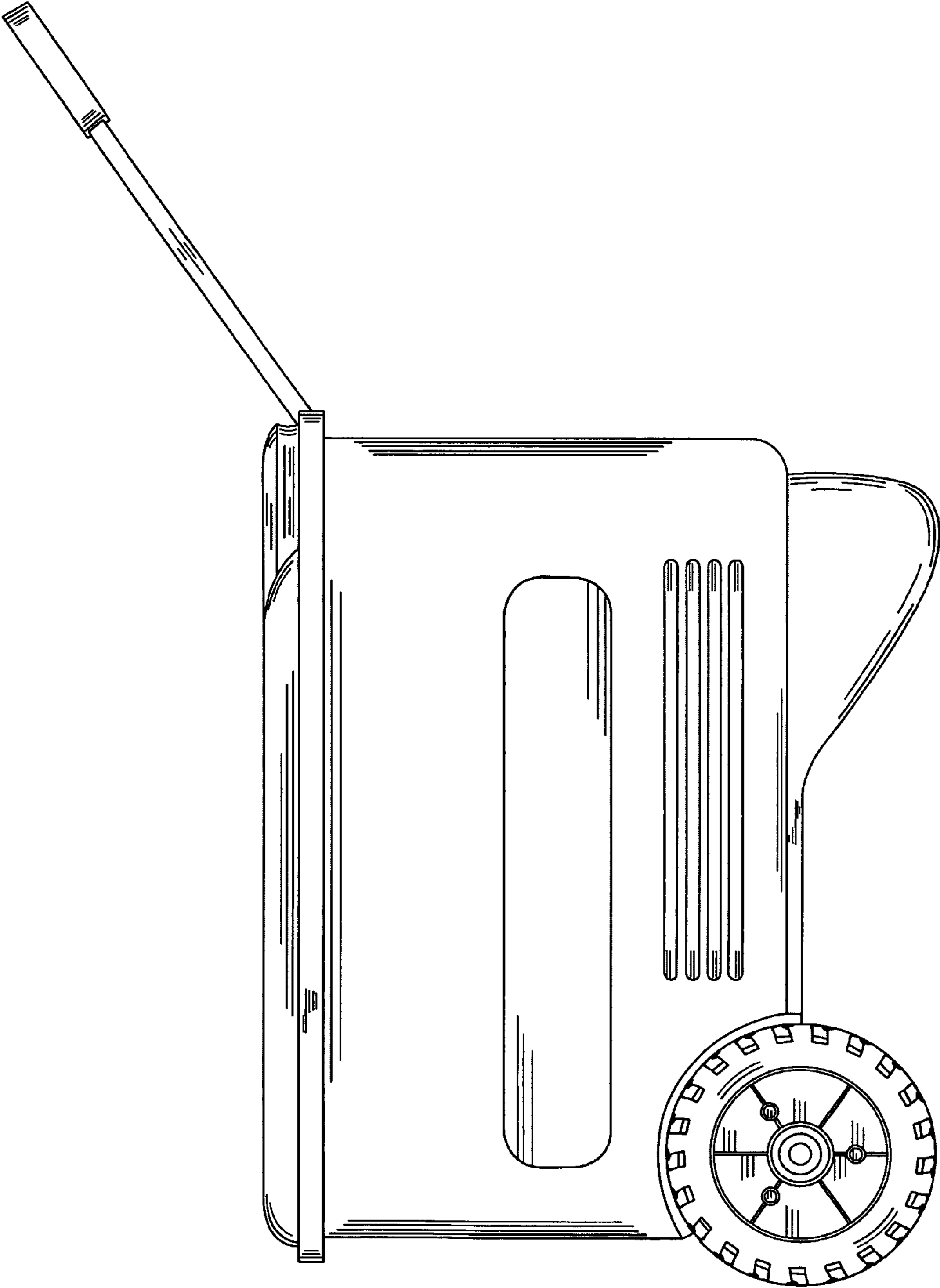


Fig. 4

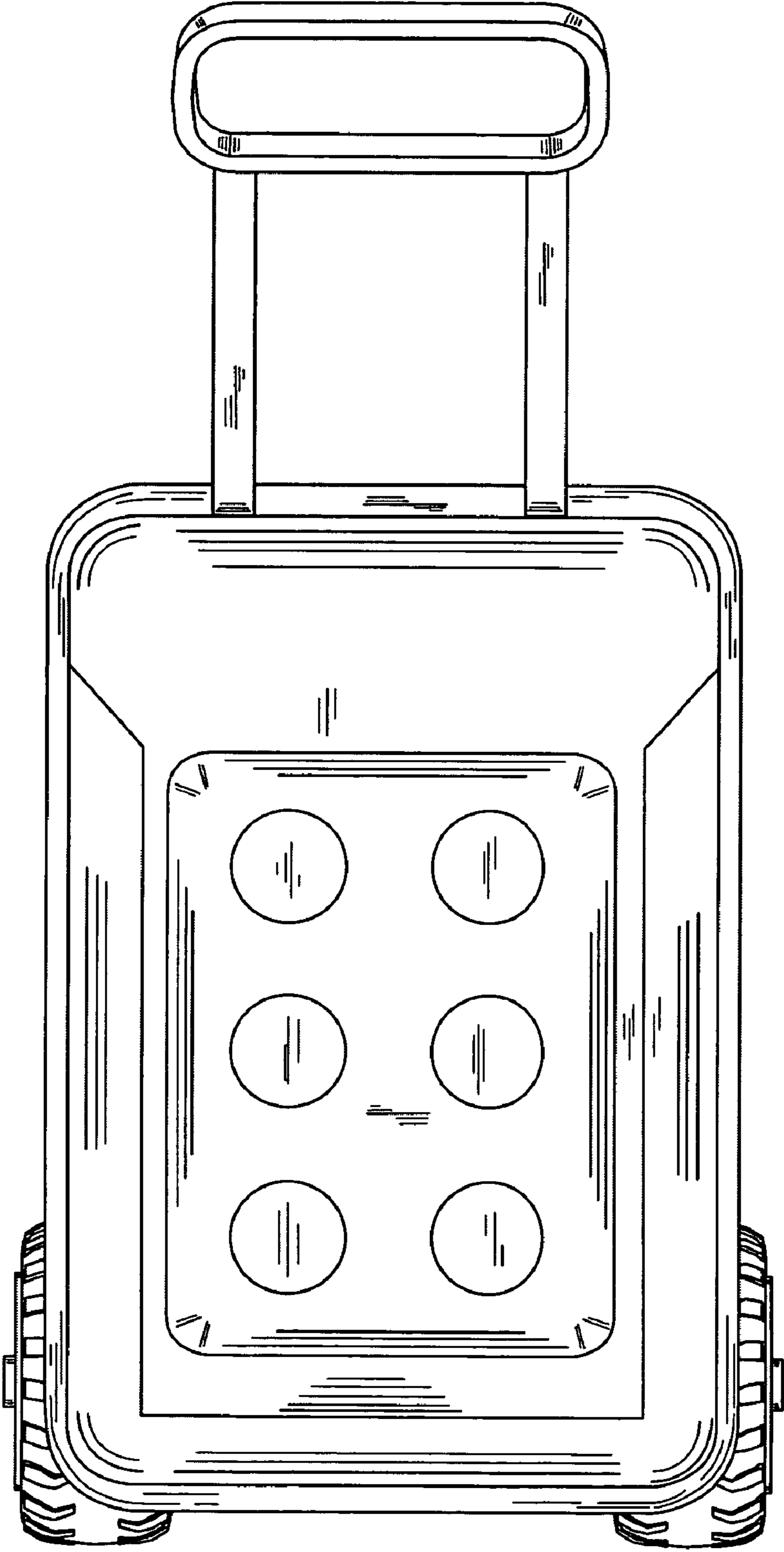


Fig. 5

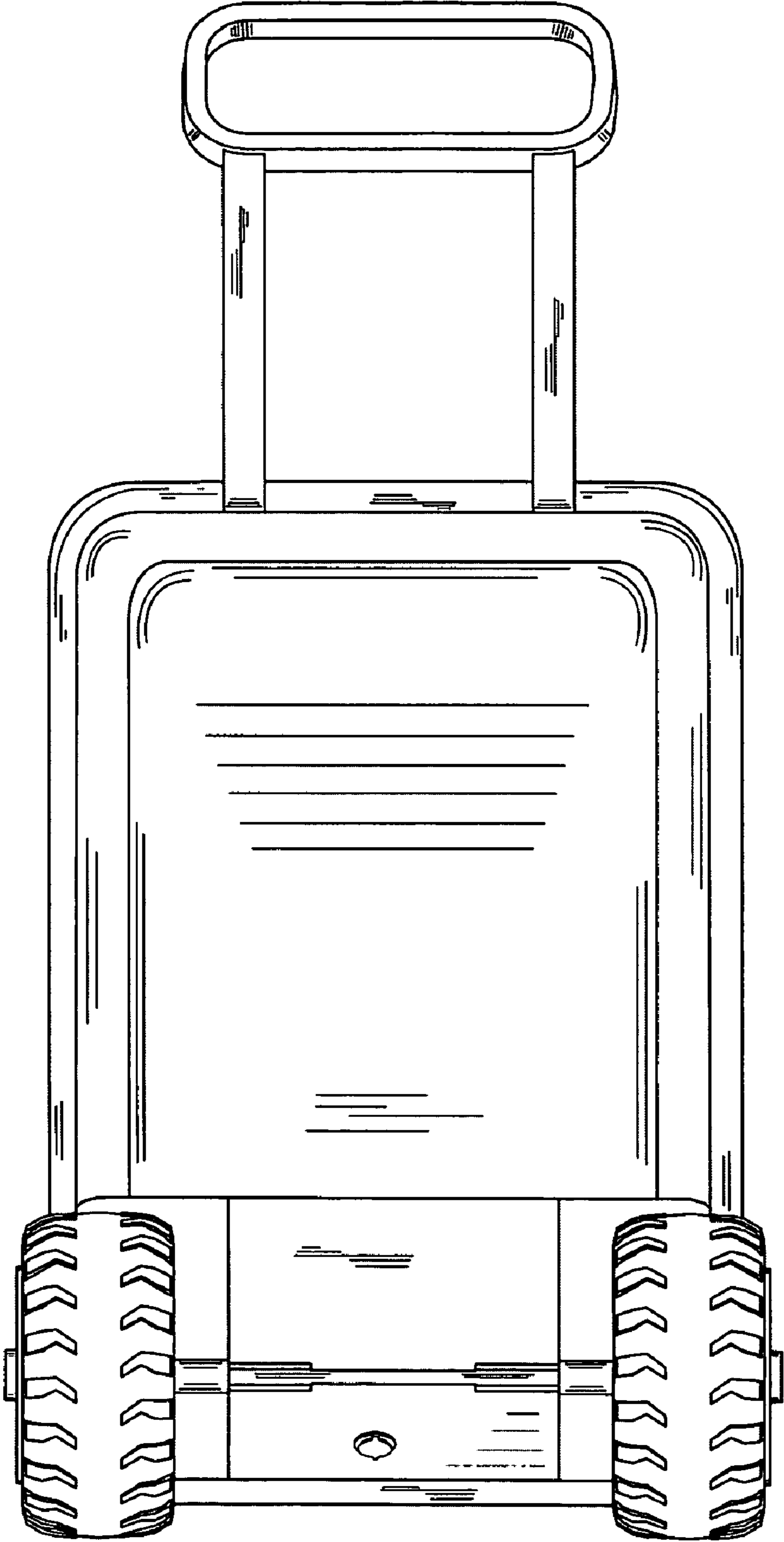


Fig. 6

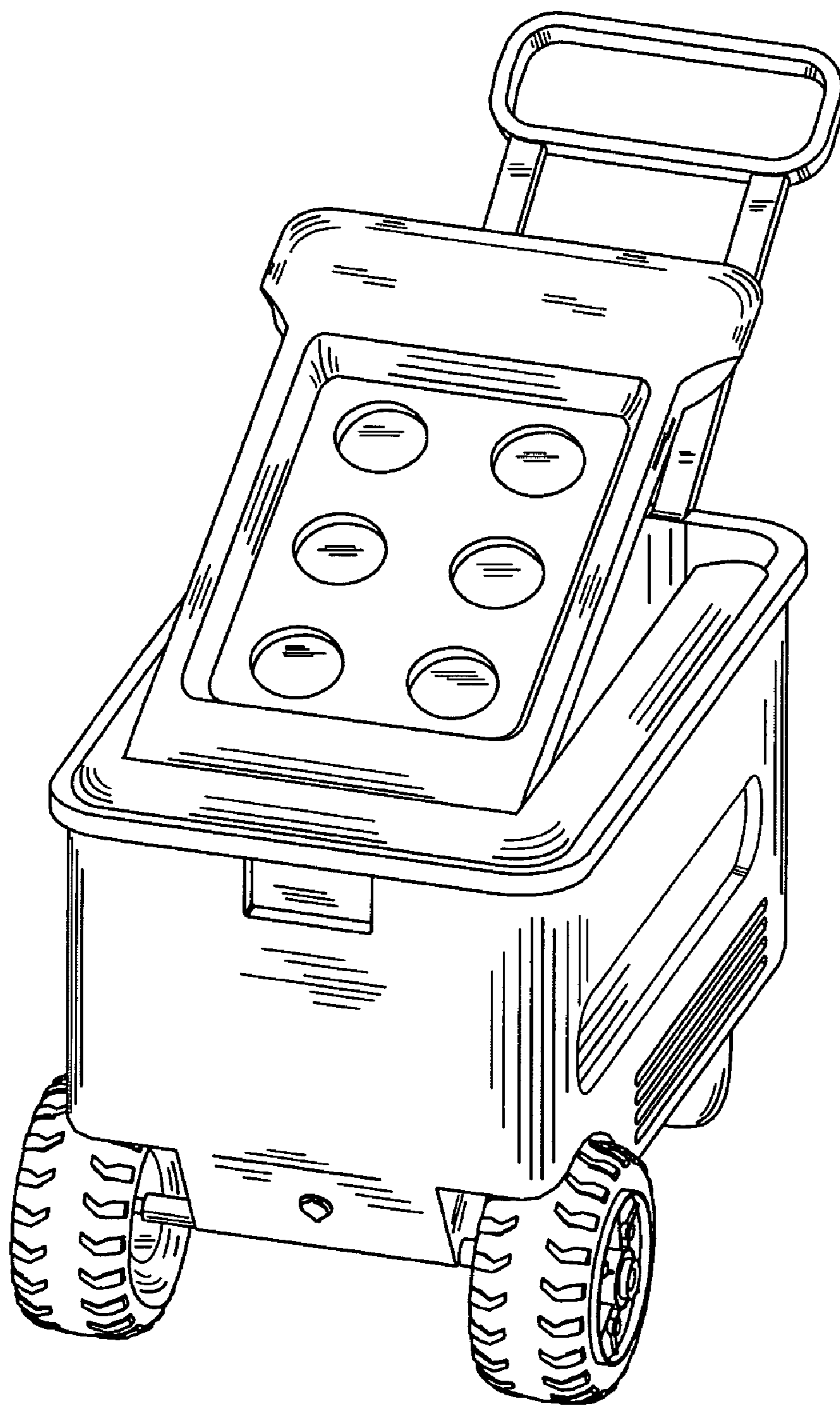


Fig. 7