



US00D613555S

(12) **United States Design Patent**
Watkins et al.

(10) **Patent No.:** **US D613,555 S**
(45) **Date of Patent:** **** Apr. 13, 2010**

(54) **BEVERAGE CONTAINER**

(75) Inventors: **Benjamin R. Watkins**, Seattle, WA
(US); **Jeffrey W. Ladwig**, Seattle, WA
(US); **Jennie Richau**, Denver, CO (US)

(73) Assignee: **Pacific Market International, LLC**,
Seattle, WA (US)

(**) Term: **14 Years**

(21) Appl. No.: **29/345,714**

(22) Filed: **Oct. 21, 2009**

Related U.S. Application Data

(62) Division of application No. 29/305,601, filed on Mar. 25, 2008, now Pat. No. Des. 604,990.

(51) **LOC (9) Cl.** **07-01**

(52) **U.S. Cl.** **D7/523; D7/510; D7/533**

(58) **Field of Classification Search** D7/509,
D7/510, 523, 511, 392.1, 900, 608, 533, 536,
D7/396.2; 215/11.6, 387, DIG. 7; 220/703,
220/713, 592.16, 592.17; D9/516, 519, 542,
D9/549; D24/197

See application file for complete search history.

(56) **References Cited**

U.S. PATENT DOCUMENTS

4,508,235	A *	4/1985	Steele et al.	215/307
D403,963	S *	1/1999	Ramsey	D9/776
D408,221	S *	4/1999	Asberg	D7/511
D425,758	S *	5/2000	Freed	D7/533
D426,109	S *	6/2000	Freed	D7/533
D429,959	S *	8/2000	Otake	D7/510
D437,229	S *	2/2001	Andrew	D9/516
D437,230	S *	2/2001	Andrew	D9/516
D448,244	S *	9/2001	Thomas	D7/510
D454,755	S *	3/2002	J.o slashed.rgensen	D7/510
D457,396	S *	5/2002	Janky et al.	D7/510
D461,679	S *	8/2002	Robinson et al.	D7/392.1
D476,193	S *	6/2003	Janky	D7/510
D480,267	S *	10/2003	Freed et al.	D7/510

D523,333	S *	6/2006	Moretti	D9/444
D548,525	S *	8/2007	Gibbons et al.	D7/510
D554,433	S *	11/2007	Gluck	D7/523
D555,514	S *	11/2007	Munn	D9/776
D562,072	S	2/2008	Wahl	
D562,076	S *	2/2008	Sandberg	D7/533
D563,723	S *	3/2008	Gluck	D7/396.2
D563,725	S *	3/2008	Alviar et al.	D7/536
D571,613	S *	6/2008	Gilbert et al.	D7/533
D579,273	S *	10/2008	Tong Chi Chung	D7/511
D579,723	S *	11/2008	Williams	D7/511
D580,226	S *	11/2008	Homma	D7/510
D580,708	S *	11/2008	George	D7/510
D582,212	S *	12/2008	Trombly	D7/509

(Continued)

OTHER PUBLICATIONS

U.S. Appl. No. 29/278,431, filed Mar. 29, 2007, George.

(Continued)

Primary Examiner—Marianne Pandozzi
(74) *Attorney, Agent, or Firm*—Davis Wright Tremaine LLP;
George C. Rondeau, Jr.

(57) **CLAIM**

The ornamental design for a beverage container, as shown and described.

DESCRIPTION

FIG. 1 is a top left side perspective view of a beverage container showing our new design.

FIG. 2 is a rear elevational view thereof.

FIG. 3 is a front elevational view thereof.

FIG. 4 is a left side elevational view thereof.

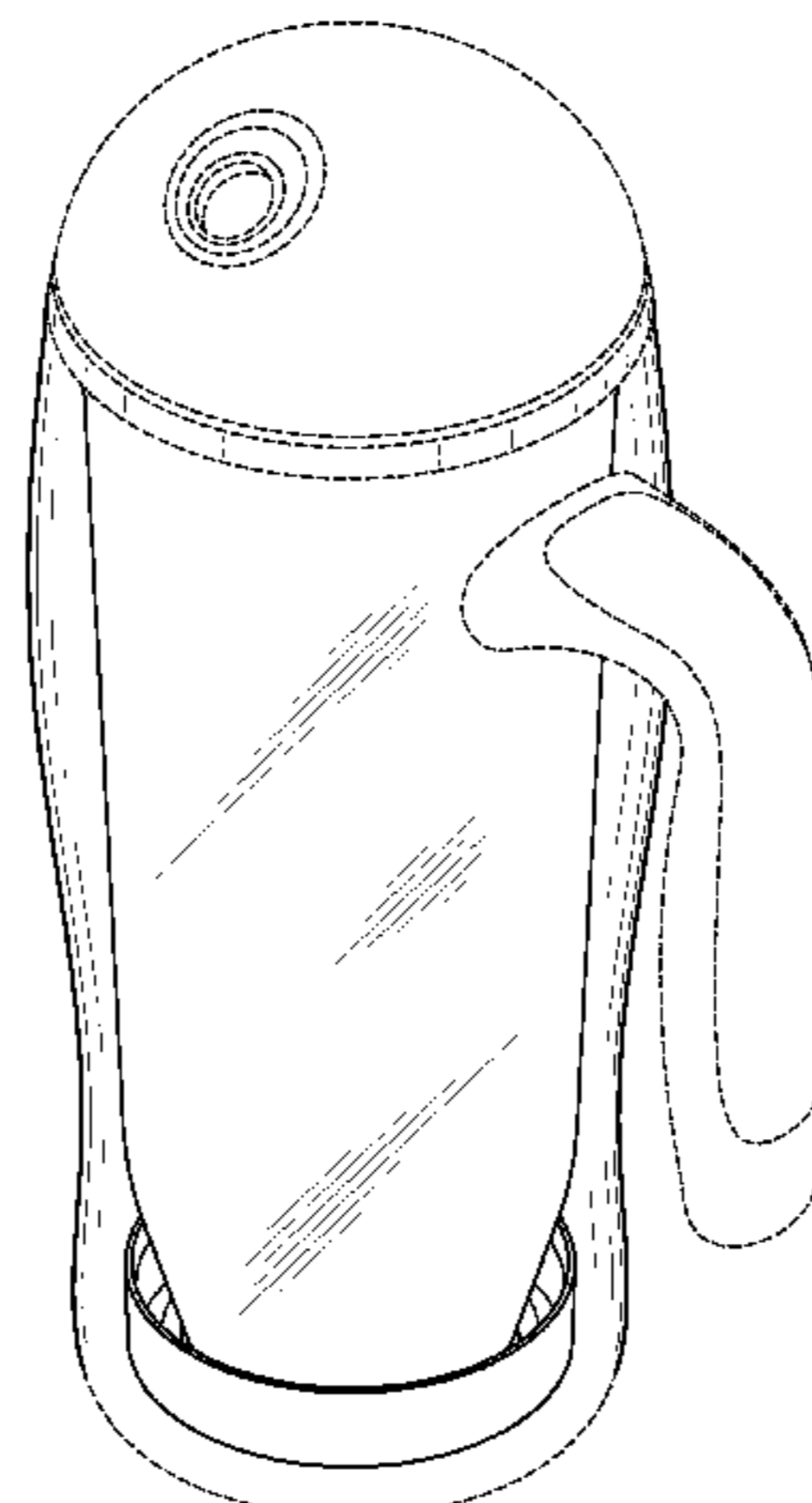
FIG. 5 is a right side elevational view thereof.

FIG. 6 is a top plan view thereof; and,

FIG. 7 is a bottom plan view thereof.

The broken lines are for illustrative purposes only and form no part of the claimed design.

1 Claim, 6 Drawing Sheets



US D613,555 S

Page 2

U.S. PATENT DOCUMENTS

D584,107 S * 1/2009 George D7/510

OTHER PUBLICATIONS

U.S. Appl. No. 29/278,429, filed Mar. 29, 2007, George.
U.S. Appl. No. 29/317,522, filed Apr. 3, 2008, Richau.

U.S. Appl. No. 29/283,909, filed Aug. 27, 2007, Wahl.

U.S. Appl. No. 29/276,810, filed Feb. 6, 2007, Gilbert.

U.S. Appl. No. 29/319,852, filed Jun. 16, 2008, Richau et al.

* cited by examiner

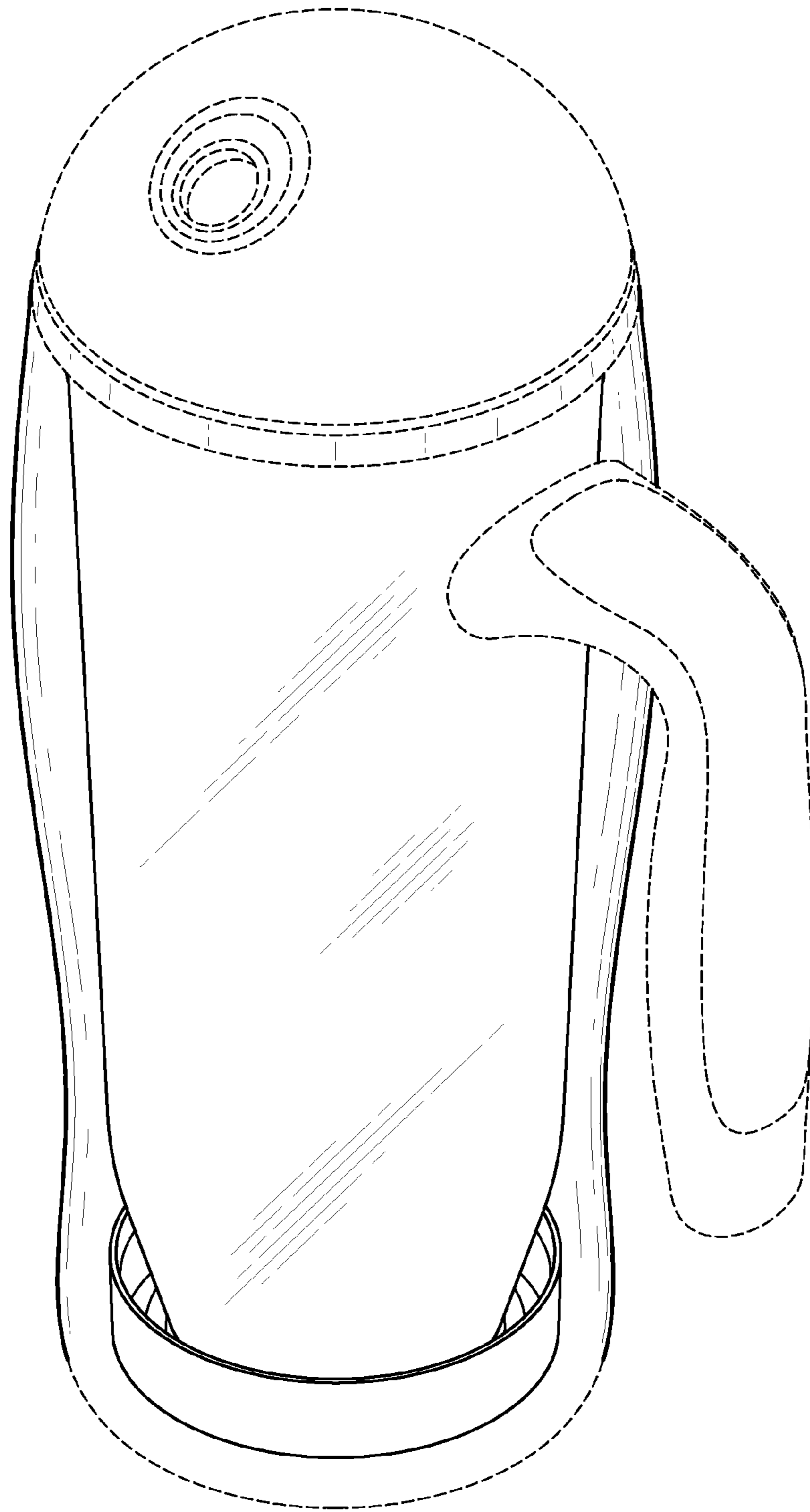


Fig. 1

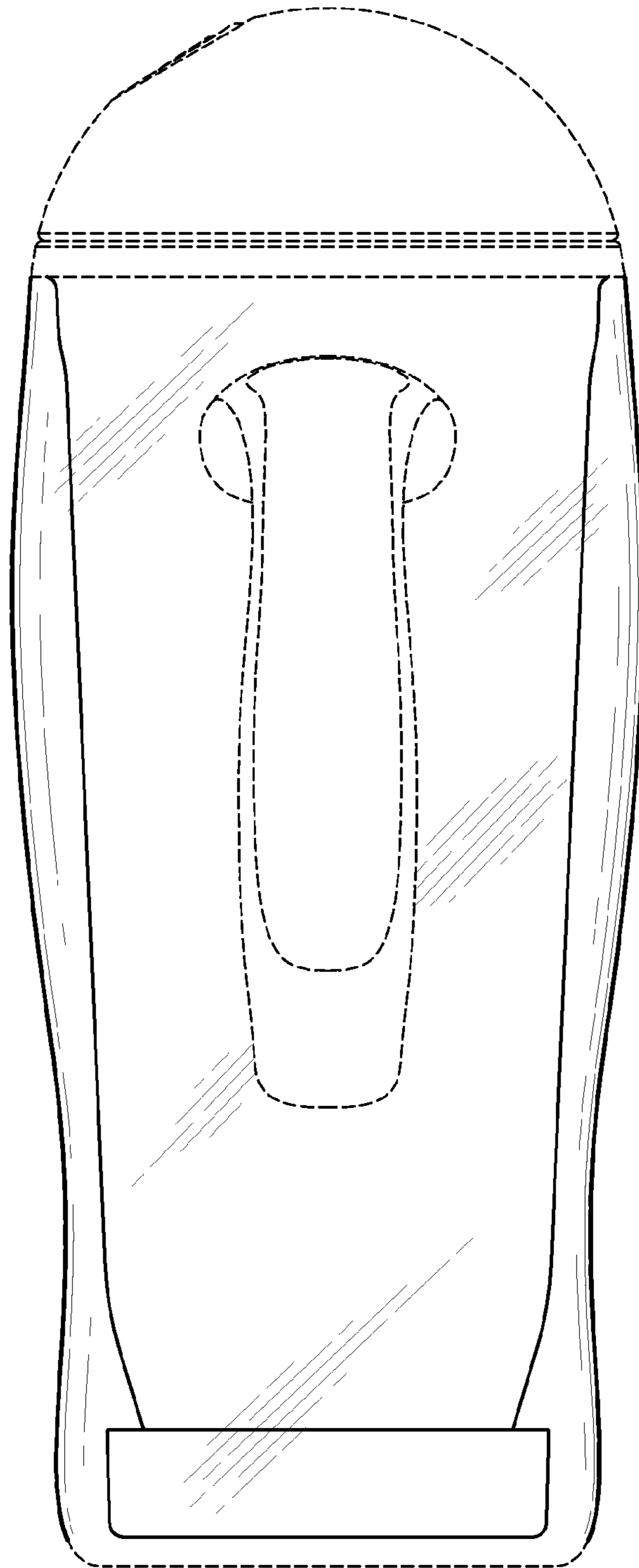


Fig. 2

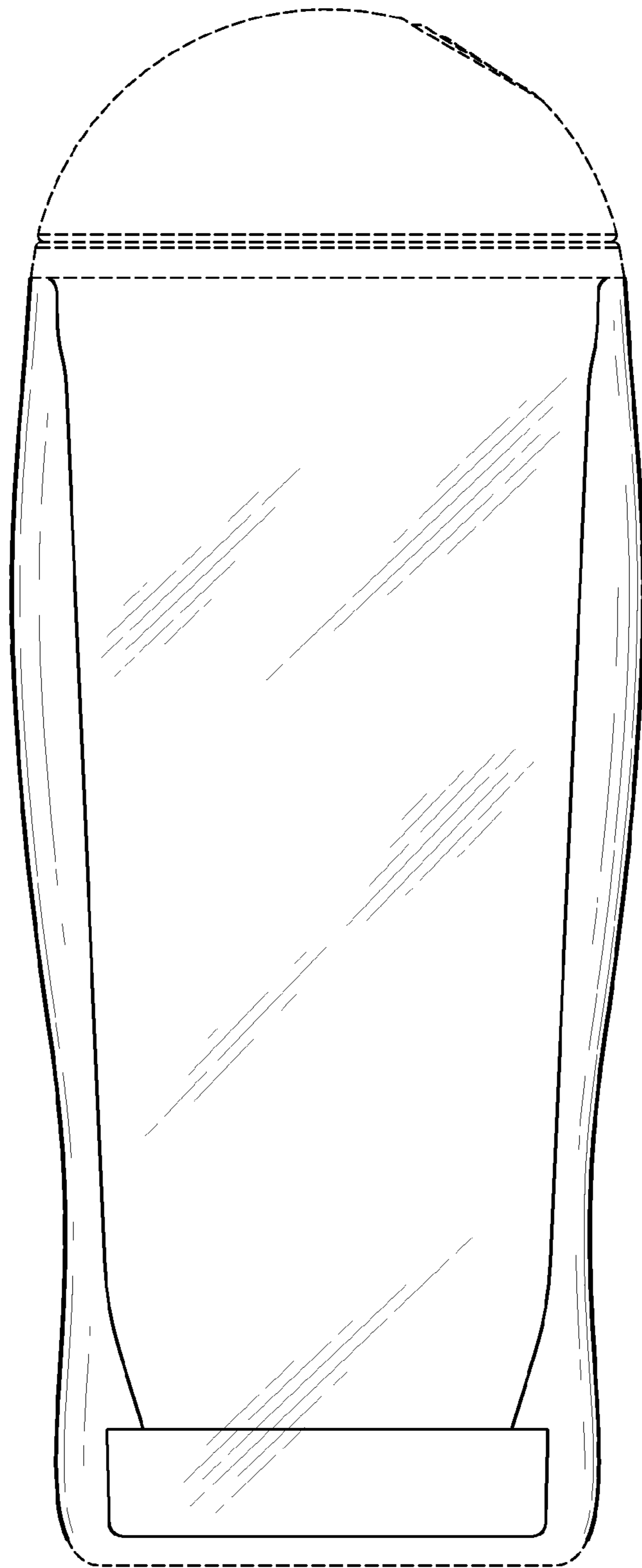


Fig. 3

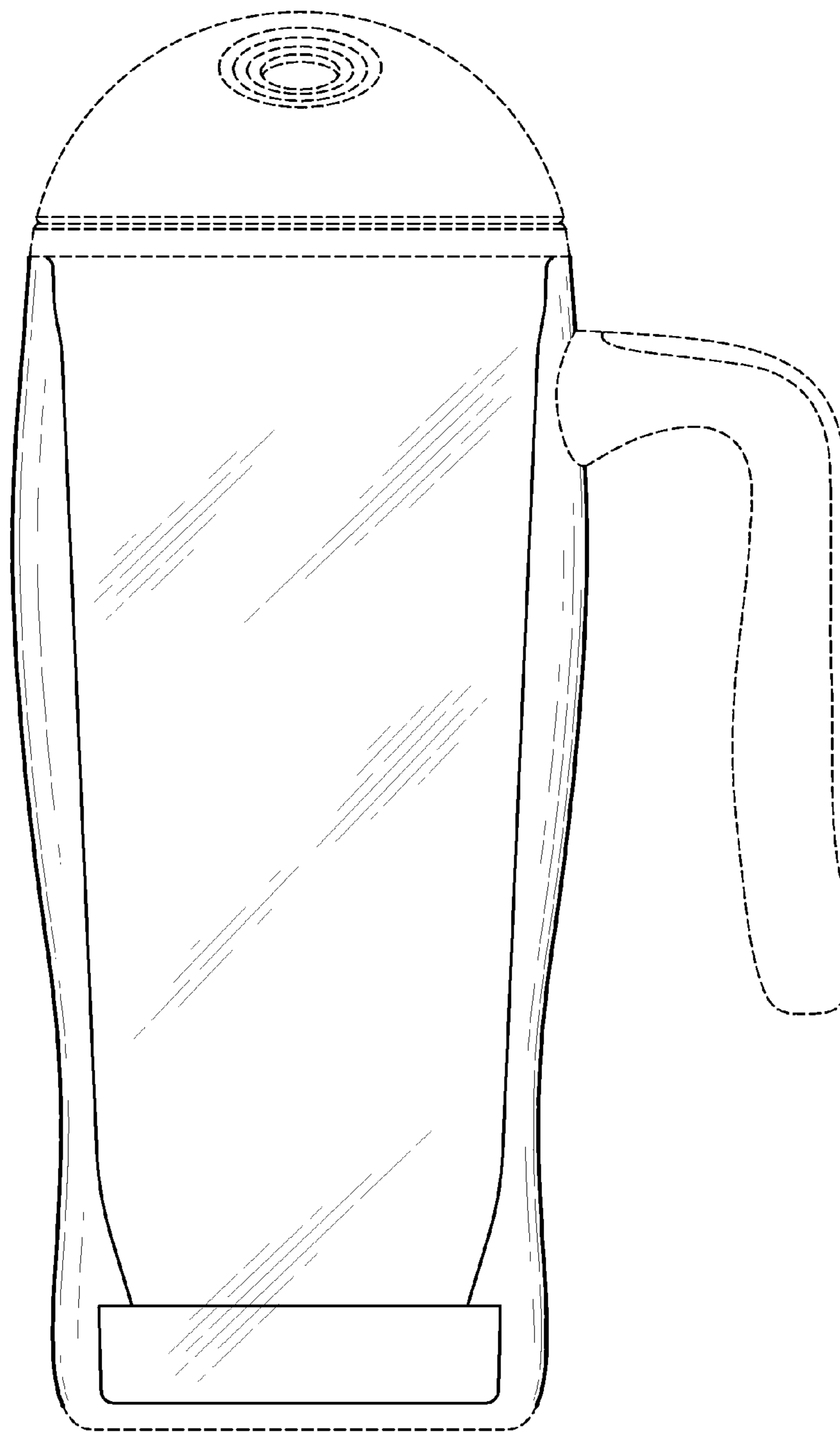


Fig. 4

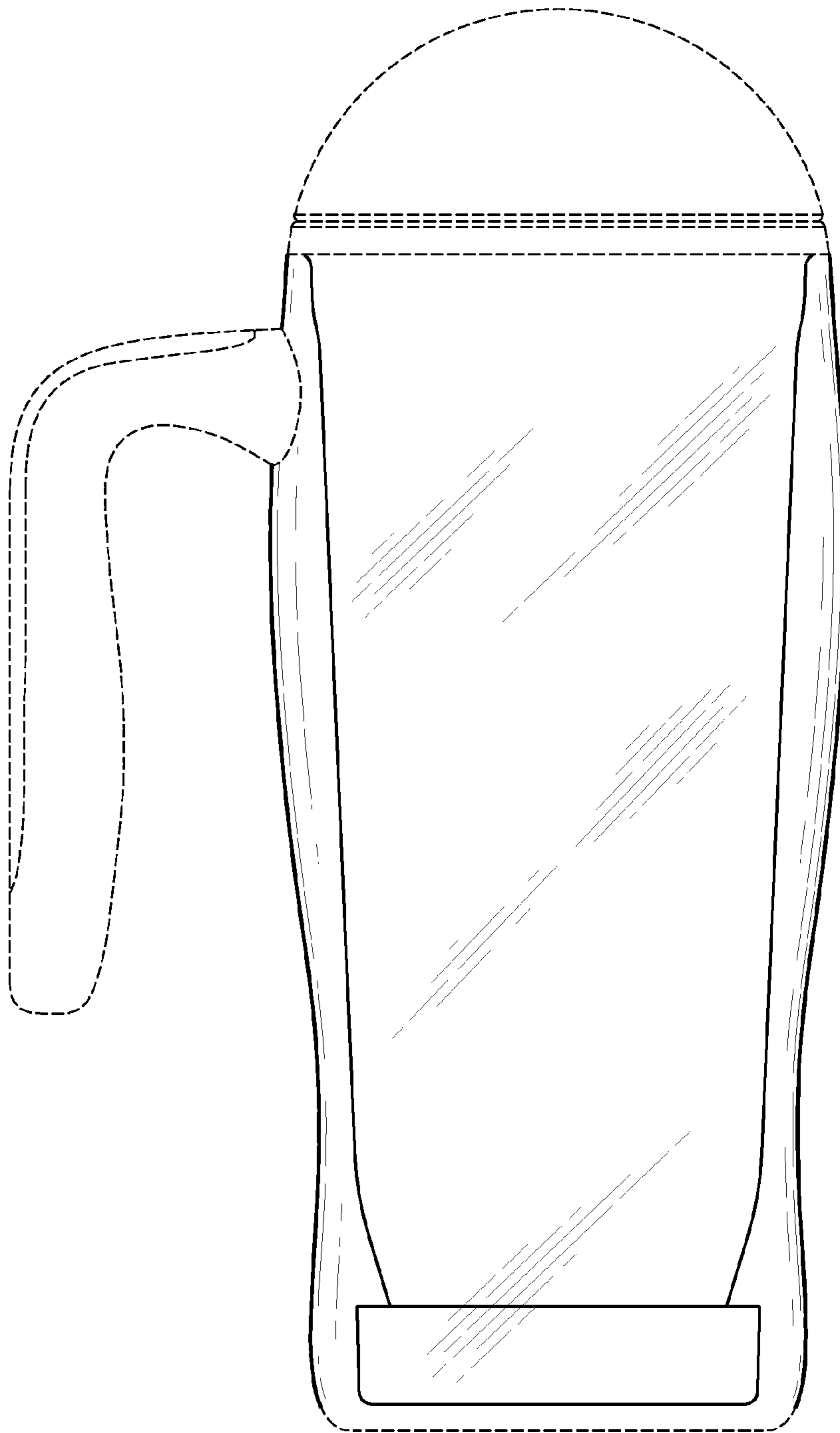


Fig. 5

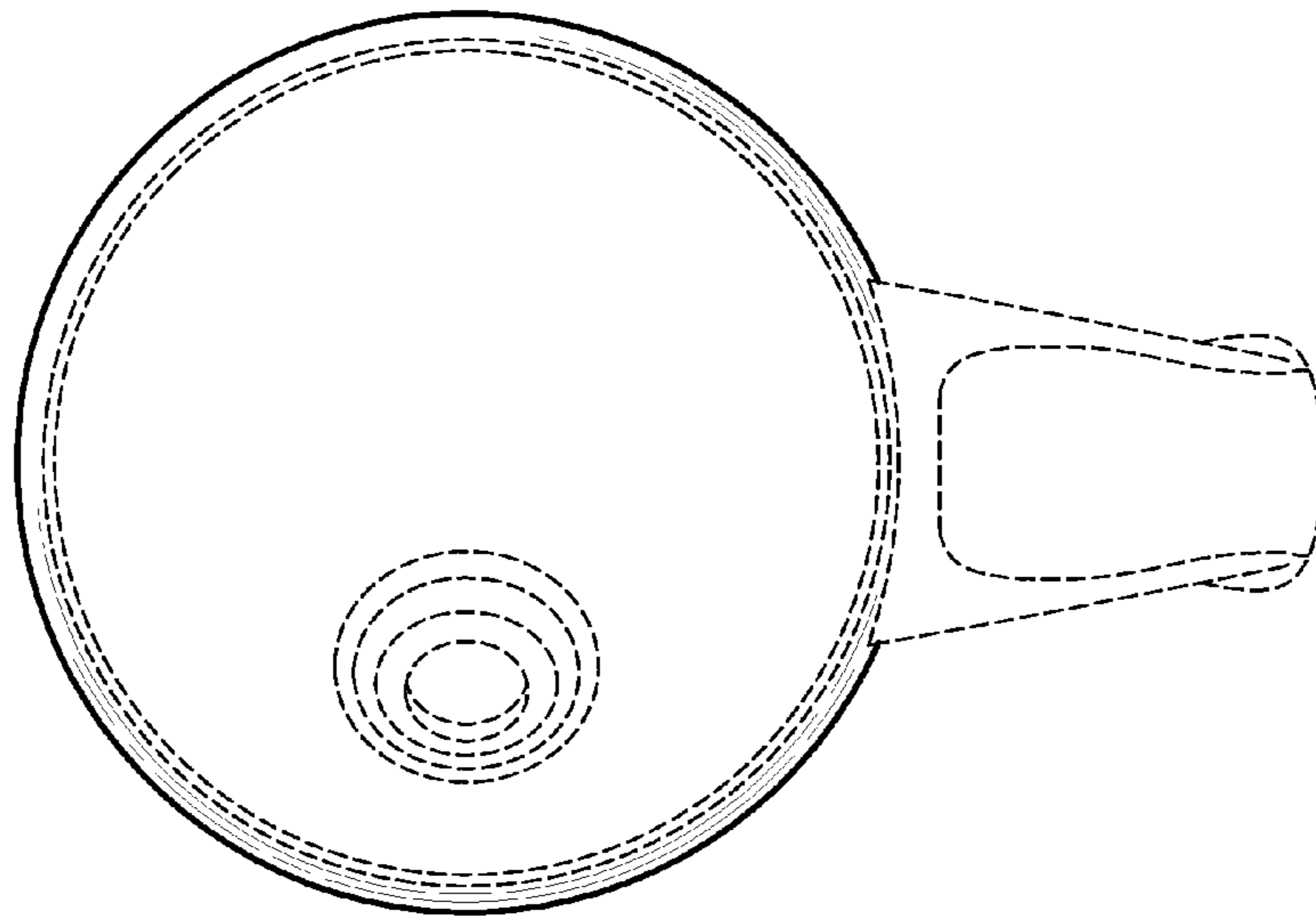


Fig. 6

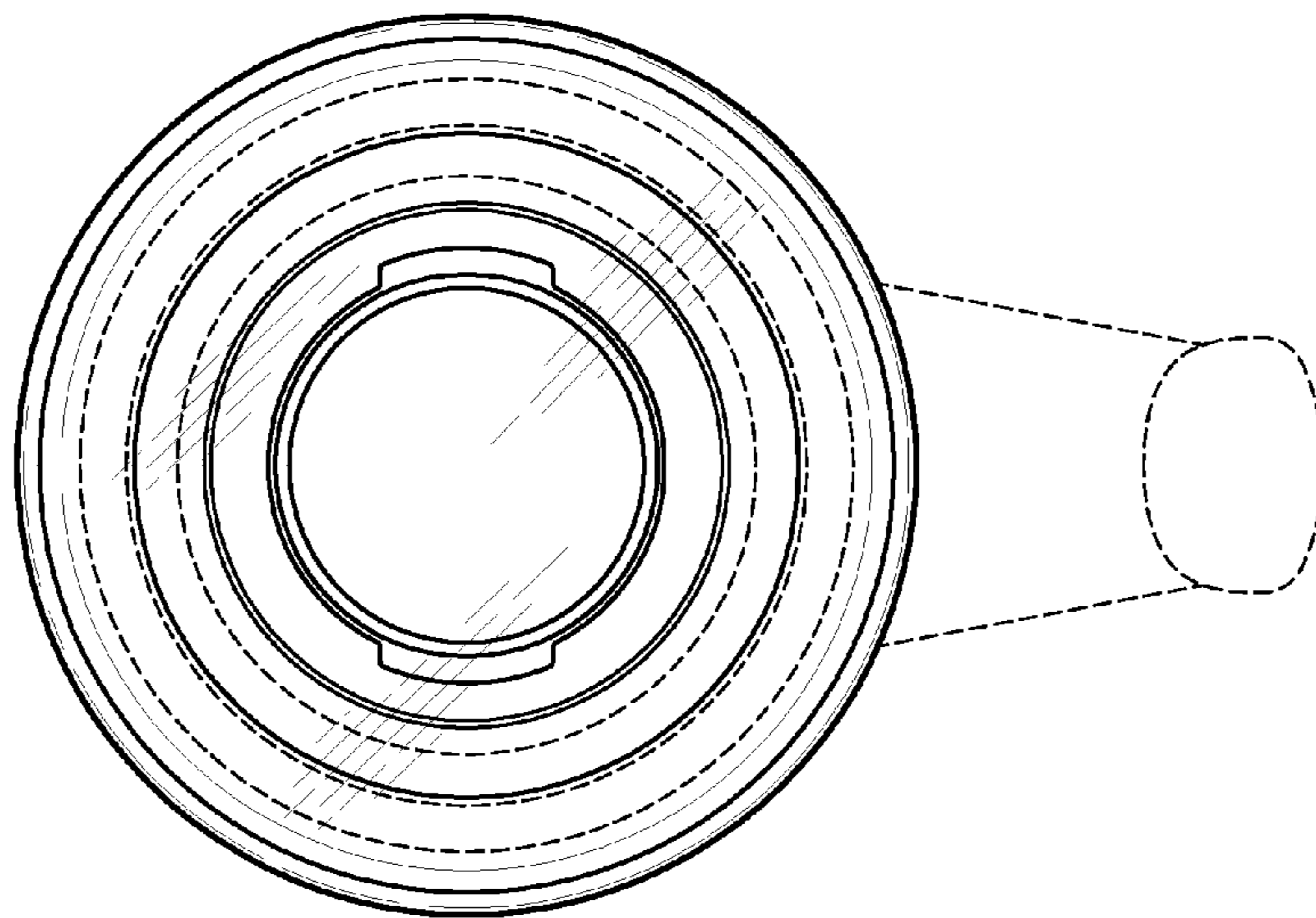


Fig. 7