



US00D613554S

(12) **United States Design Patent**  
**Koennecke**

(10) **Patent No.:** **US D613,554 S**  
(45) **Date of Patent:** **\*\* Apr. 13, 2010**

- (54) **CUP**
  - (75) Inventor: **Weston Koennecke**, Oak Park, IL (US)
  - (73) Assignee: **Solo Cup Operating Corporation**, Lake Forest, IL (US)
  - (\*\*) Term: **14 Years**
  - (21) Appl. No.: **29/305,200**
  - (22) Filed: **Mar. 14, 2008**
  - (51) **LOC (9) Cl.** ..... **07-01**
  - (52) **U.S. Cl.** ..... **D7/509; D7/523**
  - (58) **Field of Classification Search** ..... **D7/523, D7/509, 500, 396.2, 387, 392.1; 215/387, 215/DIG. 7; 220/703, 592.16, 592.17; 229/400; D9/744, 751, 434**
- See application file for complete search history.

- D196,334 S 9/1963 Fibish
- D197,313 S 1/1964 Wanderer
- 3,126,139 A 3/1964 Schechter
- D198,139 S 5/1964 Edwards
- 3,131,845 A 5/1964 Sherlock et al.
- 3,139,213 A 6/1964 Edwards
- RE25,618 E 7/1964 Goodman
- D199,336 S 10/1964 Wanderer
- D199,579 S 11/1964 Davis
- 3,157,335 A 11/1964 Maier
- 3,186,850 A 6/1965 Anthony
- D202,119 S 8/1965 Shelby
- 3,199,757 A 8/1965 McConnell

(Continued)

**FOREIGN PATENT DOCUMENTS**

DE 1175564 8/1964

(Continued)

*Primary Examiner*—Robert M Spear  
*Assistant Examiner*—Cynthia Underwood  
(74) *Attorney, Agent, or Firm*—Banner & Witcoff, Ltd.

(56) **References Cited**  
U.S. PATENT DOCUMENTS

- 703,125 A 6/1902 Emrich
- 1,636,174 A 7/1927 Dolan et al
- D80,330 S 1/1930 Mosser
- 1,771,765 A 7/1930 Benson
- 1,952,435 A 3/1934 Hogan
- 2,013,243 A 9/1935 Landon
- 2,028,566 A 1/1936 Seipel et al.
- 2,540,565 A 2/1951 Barbieri
- 2,563,352 A 8/1951 Morse
- 2,629,534 A 2/1953 Reynolds
- 2,661,889 A 12/1953 Phinney
- 2,675,954 A 4/1954 Vogel
- 2,828,903 A 4/1958 Adkins
- 2,853,222 A 9/1958 Gallagher
- 2,905,350 A 9/1959 Edwards
- D189,540 S 1/1961 Miller
- 2,982,458 A 5/1961 Hennion
- 3,001,683 A 9/1961 Goodwin et al.
- 3,009,603 A 11/1961 Stockdale
- 3,049,277 A 8/1962 Shappell
- 3,079,027 A \* 2/1963 Edwards ..... 206/519
- 3,082,900 A 3/1963 Goodman
- 3,091,360 A 5/1963 Edwards

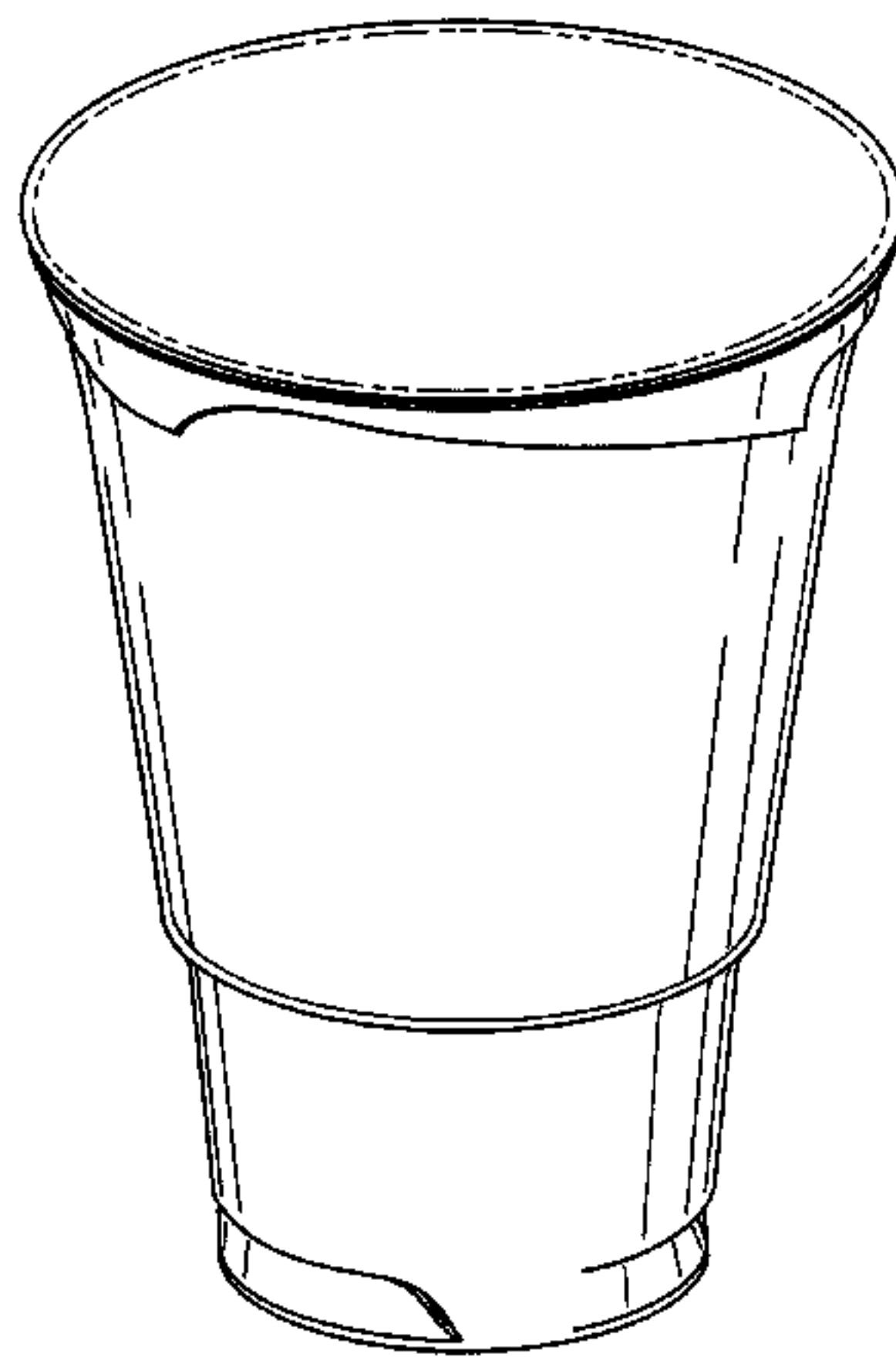
(57) **CLAIM**

The ornamental design for a cup, as shown and described.

**DESCRIPTION**

FIG. 1 is a perspective view showing our new design of a cup;  
FIG. 2 is a front view thereof;  
FIG. 3 is a left view thereof;  
FIG. 4 is a rear view thereof;  
FIG. 5 is a right view thereof;  
FIG. 6 is a top view thereof; and,  
FIG. 7 is a bottom view thereof.  
The broken lines shown in the drawings are for illustrative purposes only and form no part of the claimed design.

**1 Claim, 4 Drawing Sheets**



# US D613,554 S

Page 2

U.S. PATENT DOCUMENTS					
D202,507 S	10/1965	Shelby	5,460,323 A	10/1995	Titus
D204,783 S	5/1966	Johnson	5,469,983 A	11/1995	Yawata
D208,872 S	10/1967	Davis	5,490,631 A	2/1996	Iioka et al.
D210,767 S	4/1968	Anglada	D368,234 S	3/1996	Dickinson et al.
3,375,954 A *	4/1968	Honkanen et al. .... 206/520	5,524,817 A *	6/1996	Meier et al. .... 229/403
D211,514 S	6/1968	Amberg	D372,164 S *	7/1996	Ahern, Jr. .... D7/392.1
3,397,867 A	8/1968	van't Hoff	5,542,599 A	8/1996	Sobol
D212,279 S	9/1968	Bennett	5,547,124 A	8/1996	Mueller
D212,352 S	10/1968	Davis	5,628,453 A	5/1997	MacLaughlin
3,410,473 A	11/1968	Petrie	5,660,326 A	8/1997	Varano et al.
D213,094 S	1/1969	Davis	D383,942 S	9/1997	Rench et al.
D213,173 S	1/1969	Lockhart et al.	5,667,135 A	9/1997	Schaefer
D213,174 S	1/1969	Davis	5,669,553 A	9/1997	Smith
3,443,715 A	5/1969	Edwards	5,685,480 A	11/1997	Choi
3,456,860 A	7/1969	Janninck	D386,947 S	12/1997	Lapierre et al.
3,484,018 A *	12/1969	Davis ..... 206/520	D387,619 S	12/1997	Gross et al.
3,495,736 A	2/1970	Ragettli	5,697,550 A	12/1997	Varano et al.
D217,781 S *	6/1970	Stone ..... D7/523	5,713,512 A	2/1998	Barrett
3,526,316 A	9/1970	Kalogris	5,725,916 A	3/1998	Ishii et al.
D219,432 S	12/1970	Edwards	5,746,372 A	5/1998	Spence
3,580,468 A	5/1971	McDevitt	5,749,514 A	5/1998	Brown et al.
3,642,967 A	2/1972	Doll	5,752,646 A	5/1998	Sandstrom
D223,999 S	6/1972	Klose	5,752,653 A	5/1998	Razzaghi
3,759,437 A	9/1973	Amberg	RE35,830 E	6/1998	Sadlier
3,908,523 A	9/1975	Shikaya	5,759,624 A	6/1998	Neale et al.
3,919,368 A	11/1975	Seto	5,765,716 A	6/1998	Cai et al.
3,951,266 A	4/1976	Brewer	5,766,709 A	6/1998	Geddes et al.
4,049,187 A	9/1977	Florian	5,769,311 A	6/1998	Morita et al.
4,052,037 A	10/1977	Mair et al.	5,772,111 A	6/1998	Kirsch
4,061,782 A	12/1977	Baxter	5,775,577 A	7/1998	Titus
D248,916 S *	8/1978	Reynolds et al. .... D7/523	5,794,843 A	8/1998	Sanchez
4,134,492 A	1/1979	Lucas	5,820,016 A	10/1998	Stropkay
4,168,676 A	9/1979	Itoh	5,826,786 A	10/1998	Dickert
4,211,339 A	7/1980	Itoh	D400,762 S	11/1998	Mecklenburg
4,264,657 A	4/1981	Tollette	5,839,653 A	11/1998	Zadravetz
D267,849 S	2/1983	Groenewold et al.	5,840,139 A	11/1998	Geddes et al.
D267,850 S	2/1983	Groenewold et al.	5,857,615 A	1/1999	Rose
D271,650 S	12/1983	Groenewold et al.	D410,174 S	5/1999	Sheu
4,420,081 A	12/1983	Dart	5,911,360 A	6/1999	Schellenberg
D272,794 S	2/1984	Dart	D413,067 S	8/1999	Haley
4,435,344 A	3/1984	Iioka	5,950,917 A	9/1999	Smith
D273,651 S *	5/1984	Emrick ..... D7/523	5,952,068 A	9/1999	Neale et al.
D279,168 S	6/1985	Goldsmith	5,964,400 A	10/1999	Varano et al.
4,548,348 A	10/1985	Clements	D416,757 S	11/1999	Ginuntoli
4,550,854 A	11/1985	Schellenberg	6,010,062 A	1/2000	Shimono
D285,032 S	8/1986	Alonzo	6,030,476 A	2/2000	Geddes et al.
D291,040 S	7/1987	Dart	6,038,915 A	3/2000	O'Herron et al.
D295,376 S *	4/1988	Rogler ..... D9/434	6,039,682 A	3/2000	Dees et al.
D297,090 S	8/1988	West	6,047,852 A	4/2000	Evans et al.
4,836,764 A	6/1989	Parkinson	6,053,352 A	4/2000	Cai
4,878,970 A	11/1989	Schubert et al.	6,059,140 A	5/2000	Hicks
4,993,580 A	2/1991	Smith	6,068,182 A	5/2000	Tokunaga
4,997,125 A	3/1991	Glerum	6,070,755 A	6/2000	Evans et al.
4,997,691 A	3/1991	Parkinson	D427,482 S *	7/2000	Mittmann ..... D7/354
5,025,981 A	6/1991	Schellenberg	6,085,970 A	7/2000	Sadlier
5,040,682 A	8/1991	Palisin, Jr. et al.	6,093,462 A	7/2000	O'Herron et al.
5,062,568 A *	11/1991	Hill et al. .... 229/403	6,109,518 A	8/2000	Mueller et al.
5,091,231 A	2/1992	Parkinson	6,116,503 A	9/2000	Varano
5,092,485 A	3/1992	Lee	6,126,584 A	10/2000	Zadravetz
5,145,107 A	9/1992	Silver et al.	6,129,653 A	10/2000	Fredricks et al.
5,203,490 A	4/1993	Roe	6,139,665 A	10/2000	Schmelzer et al.
5,203,492 A	4/1993	Schellenberg	6,142,331 A	11/2000	Breining et al.
5,205,473 A	4/1993	Collins, Sr.	6,152,363 A	11/2000	Rule, Jr.
5,226,585 A	7/1993	Varano	D436,295 S	1/2001	Furman et al.
5,267,685 A	12/1993	Sorensen	6,182,855 B1	2/2001	Alpert
D346,308 S *	4/1994	Cautereels et al. .... D7/509	6,186,394 B1	2/2001	Dees et al.
5,363,982 A	11/1994	Sadlier	6,193,098 B1	2/2001	Mochizuki et al.
5,385,260 A	1/1995	Gatcomb	D439,472 S	3/2001	Wang
5,415,339 A	5/1995	Howard	6,196,454 B1	3/2001	Sadlier
5,423,160 A	6/1995	Rosen	D441,252 S	5/2001	Gitschlag
5,425,497 A	6/1995	Sorensen	6,224,954 B1	5/2001	Mitchell et al.
			6,250,545 B1	6/2001	Mazzarolo et al.
			6,253,995 B1	7/2001	Blok et al.



# US D613,554 S

Page 3

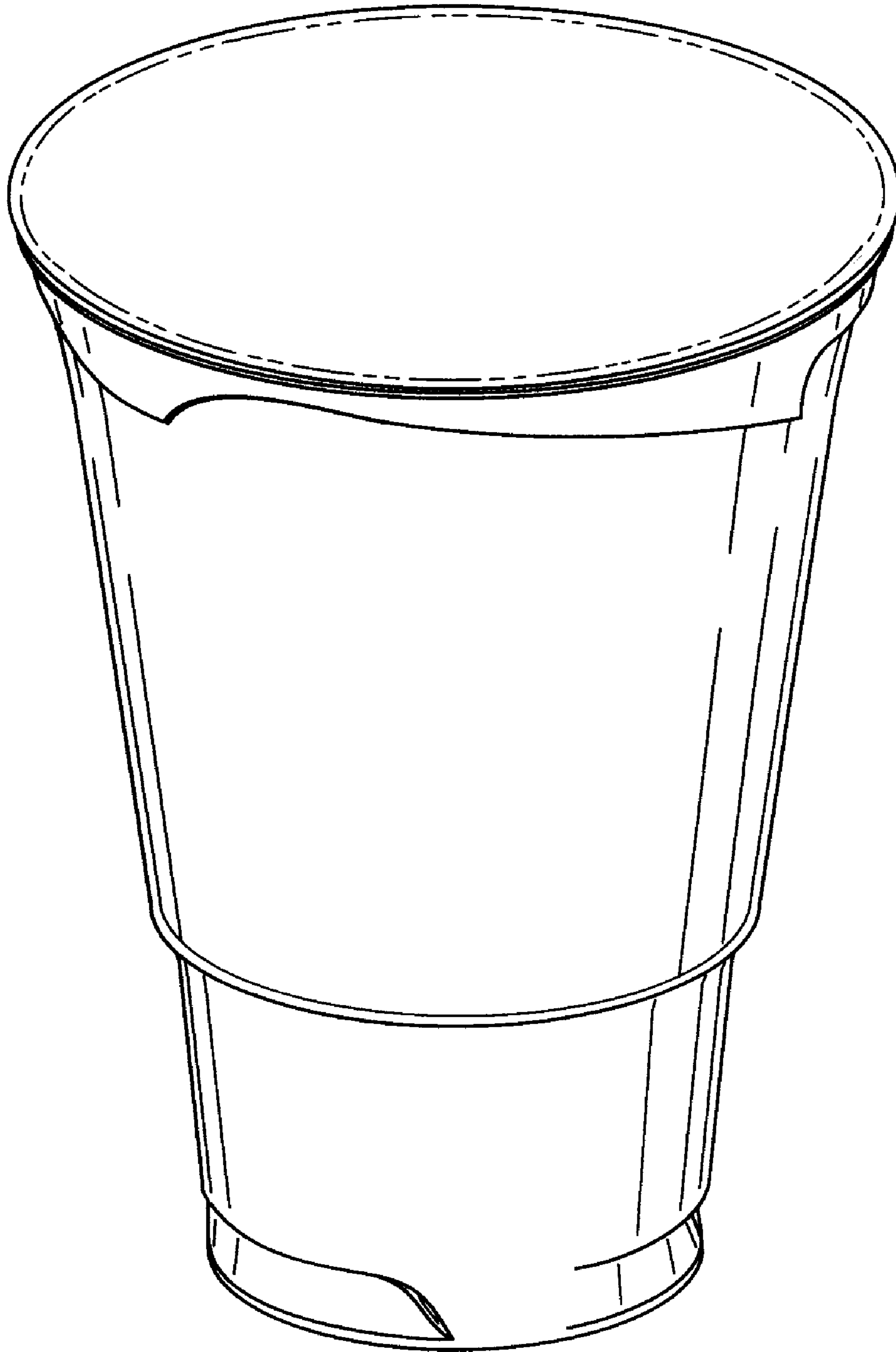
6,257,485 B1	7/2001	Sadlier et al.	D570,159 S *	6/2008	McGill ..... D7/532
6,260,756 B1	7/2001	Mochizuki et al.	D571,609 S *	6/2008	Bouie ..... D7/396.6
6,265,040 B1	7/2001	Neale et al.	7,546,932 B2 *	6/2009	Smith et al. .... 220/675
6,267,837 B1	7/2001	Mitchell et al.	D600,115 S *	9/2009	Trayser ..... D9/434
D446,687 S	8/2001	Furman et al.	2001/0013537 A1	8/2001	Sadlier
6,277,454 B1	8/2001	Neale et al.	2001/0027979 A1	10/2001	Canfield
6,286,709 B1	9/2001	Hudson	2001/0030296 A1	10/2001	Ishimaru et al.
6,286,754 B1	9/2001	Stier et al.	2001/0038893 A1	11/2001	Mohan et al.
6,286,798 B1	9/2001	Chun	2001/0050287 A1	12/2001	Namba et al.
6,287,247 B1	9/2001	Dees et al.	2002/0125262 A1	9/2002	Canfield
6,290,091 B1	9/2001	Bell	2002/0148832 A1	10/2002	Breining et al.
D448,976 S	10/2001	McDonough et al.	2002/0172818 A1	11/2002	DeBaal et al.
6,308,883 B1	10/2001	Schmelzer	2002/0182347 A1	12/2002	DeBaal et al.
6,315,192 B1	11/2001	Marlow	2002/0185496 A1	12/2002	Puerini
6,319,590 B1	11/2001	Geddes et al.	2003/0015582 A1	1/2003	Handel
6,343,735 B1	2/2002	Cai	2003/0029876 A1	2/2003	Giraud
6,354,458 B1	3/2002	Policappelli	2003/0054078 A1	3/2003	Gerhart et al.
6,364,149 B1	4/2002	Smith	2003/0104195 A1	6/2003	Geddes et al.
6,364,201 B1	4/2002	Varano	2003/0111475 A1	6/2003	Cheng
6,378,766 B2	4/2002	Sadlier	2003/0121963 A1	7/2003	Van Handel
6,412,686 B1	7/2002	Mahl et al.	2003/0146224 A1	8/2003	Fujii et al.
6,416,829 B2	7/2002	Breining et al.	2003/0152724 A1	8/2003	Swoboda et al.
6,422,456 B1	7/2002	Sadlier	2003/0157224 A1	8/2003	Westerhof et al.
6,464,100 B2	10/2002	Canfield	2003/0209556 A1	11/2003	Gruber
D465,154 S	11/2002	O'Brien	2003/0226882 A1	12/2003	Porchia et al.
6,482,481 B1	11/2002	Fredricks et al.	2004/0011801 A1	1/2004	Rodriguez
6,528,105 B1	3/2003	Gerhart et al.	2004/0037980 A1	2/2004	DeBaal
6,536,657 B2	3/2003	Van Handel	2004/0056080 A1	3/2004	Johansson et al.
6,554,154 B1 *	4/2003	Chauhan et al. .... 220/671	2005/0035187 A1	2/2005	Rea et al.
6,557,751 B2	5/2003	Puerini	2005/0271847 A1	12/2005	Antonini
6,565,934 B1	5/2003	Fredricks et al.	2008/0087715 A1 *	4/2008	Robertson et al. .... 229/403
6,586,075 B1	7/2003	Mitchell et al.			
6,588,654 B2	7/2003	Nakashima			
6,598,786 B1	7/2003	Guo			
6,601,728 B1	8/2003	Newkirk et al.			
6,610,339 B1	8/2003	Borgerson			
6,641,854 B2	11/2003	Gerhart et al.			
6,663,926 B1	12/2003	Okushita et al.			
6,663,927 B2	12/2003	Breining et al.			
D485,133 S	1/2004	Breeze-Stringfellow			
6,676,586 B2	1/2004	Breining et al.			
6,703,090 B2	3/2004	Breining et al.			
D491,808 S *	6/2004	Lane et al. .... D9/434			
D499,934 S *	12/2004	Smith et al. .... D7/396.2			
D502,098 S *	2/2005	Haley ..... D9/434			
D504,593 S *	5/2005	Smith et al. .... D7/396.2			
D505,830 S *	6/2005	Smith et al. .... D7/509			
D511,932 S *	11/2005	Smith et al. .... D7/396.2			
D516,378 S *	3/2006	Smith et al. .... D7/396.2			
D531,854 S *	11/2006	Bresler ..... D7/396.6			
D537,677 S *	3/2007	Bresler ..... D7/523			

## FOREIGN PATENT DOCUMENTS

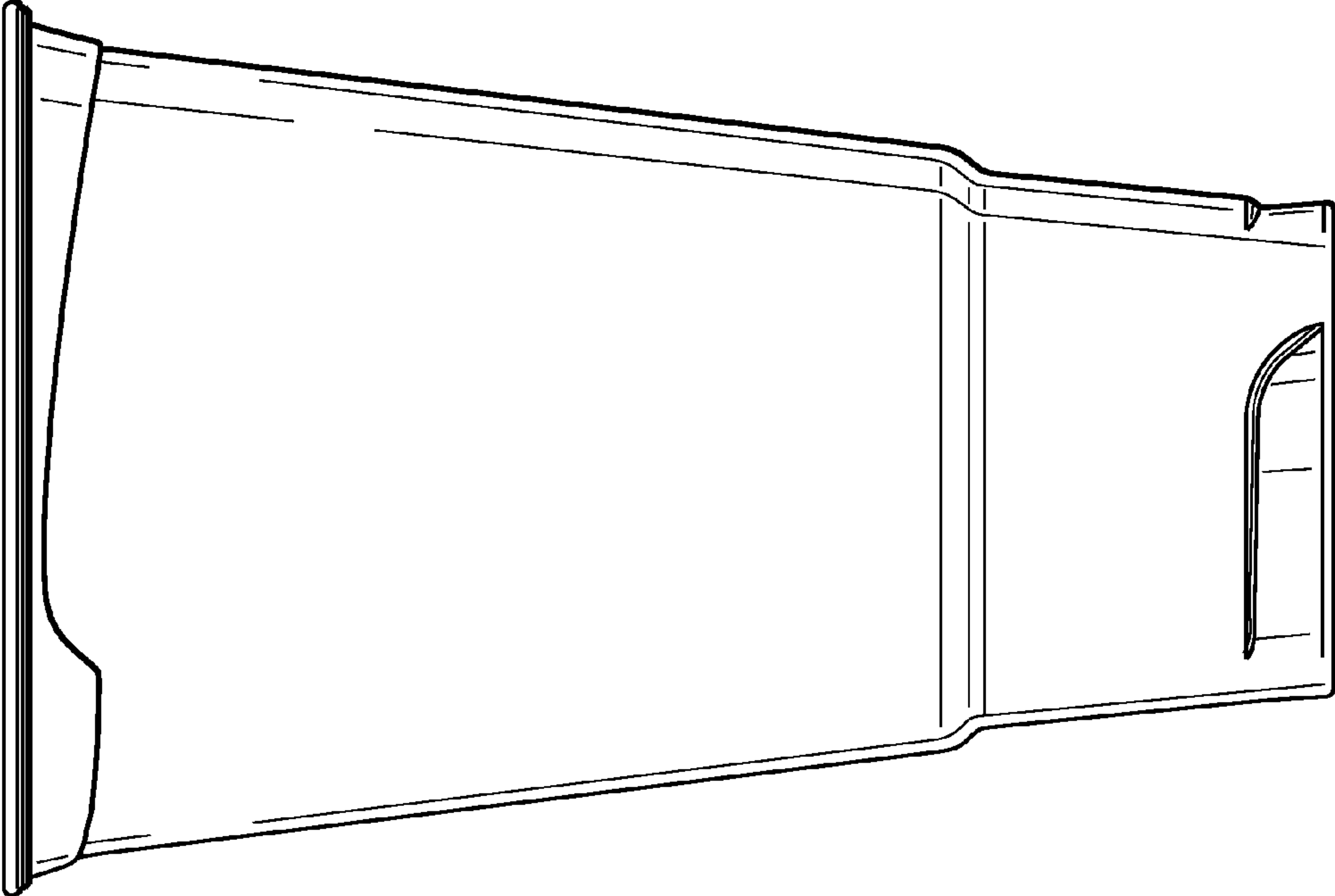
DE	1216139	5/1966
DE	3318704 A1	11/1984
DE	4419161 A1	12/1995
DE	29802377 U1	6/1998
DE	10054727 A1	5/2002
EP	0371918	6/1990
FR	2207836	6/1974
GB	395996	7/1933
GB	1096451	12/1967
GB	1251595	10/1971
GB	1461394	1/1977
GB	2108922 A	5/1983
GB	2333087 A	7/1999
GB	2352612 A	2/2001
JP	06080134	3/1994
WO	0205691 A2	1/2002

\* cited by examiner

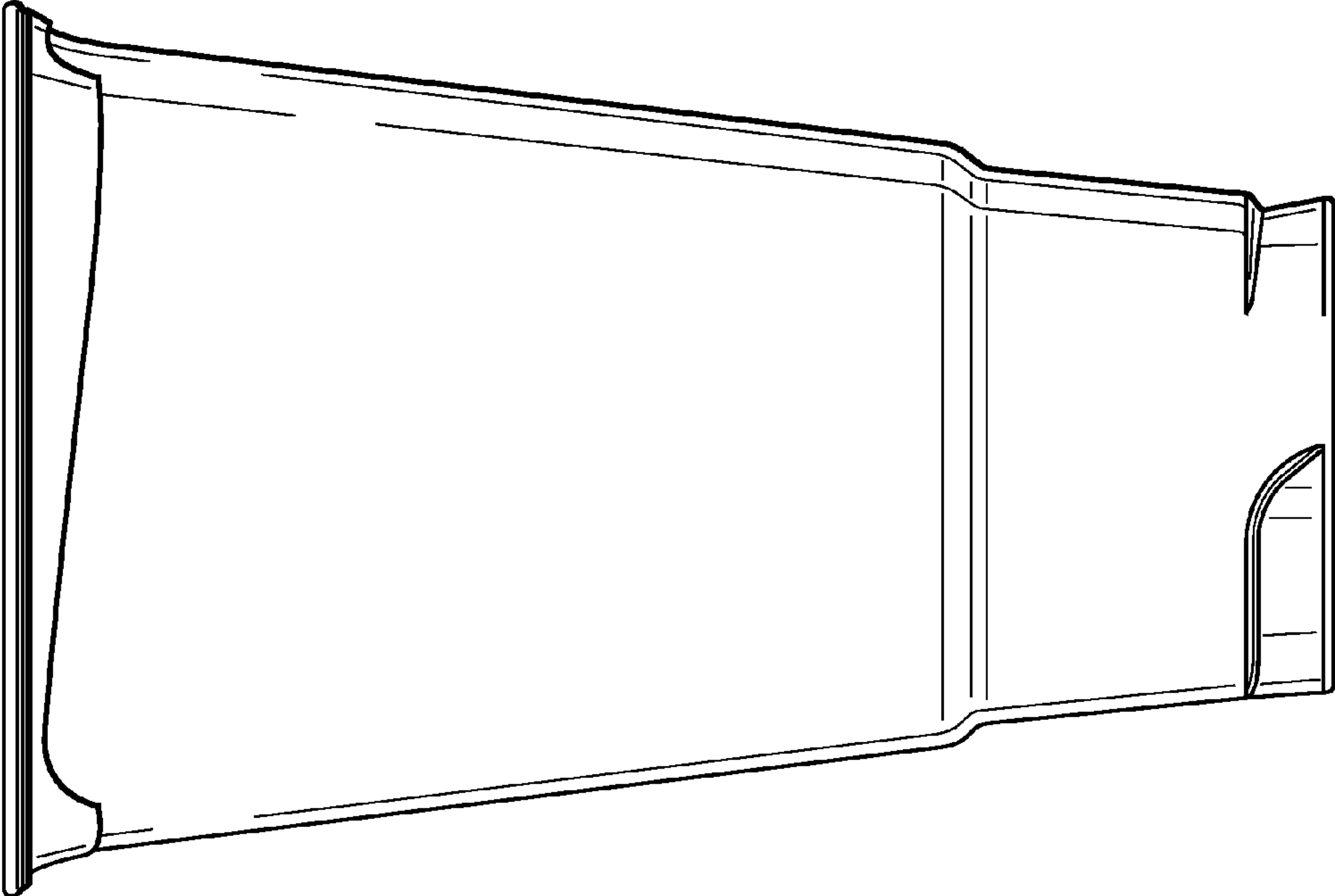
***Fig. 1***



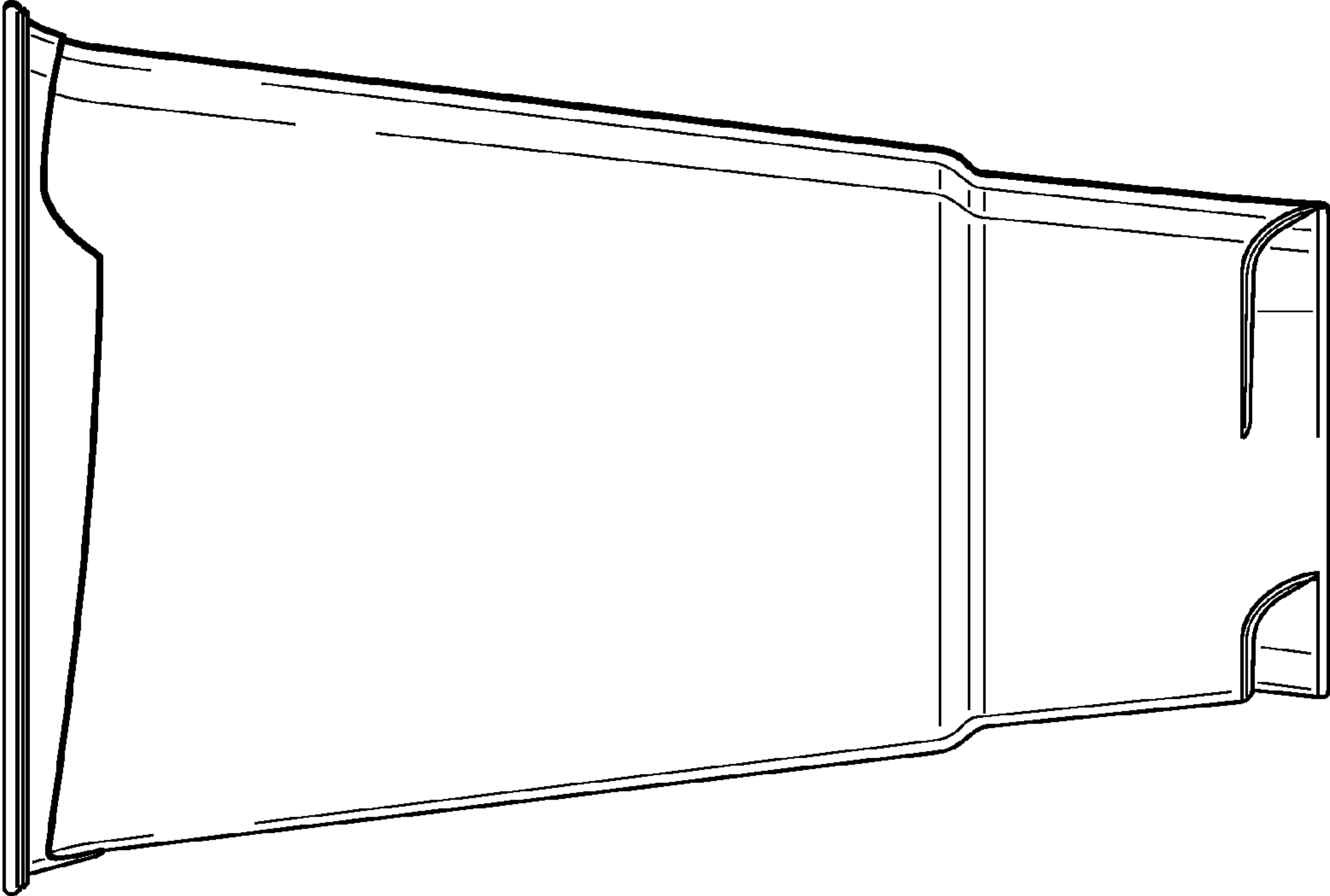
**Fig. 3**



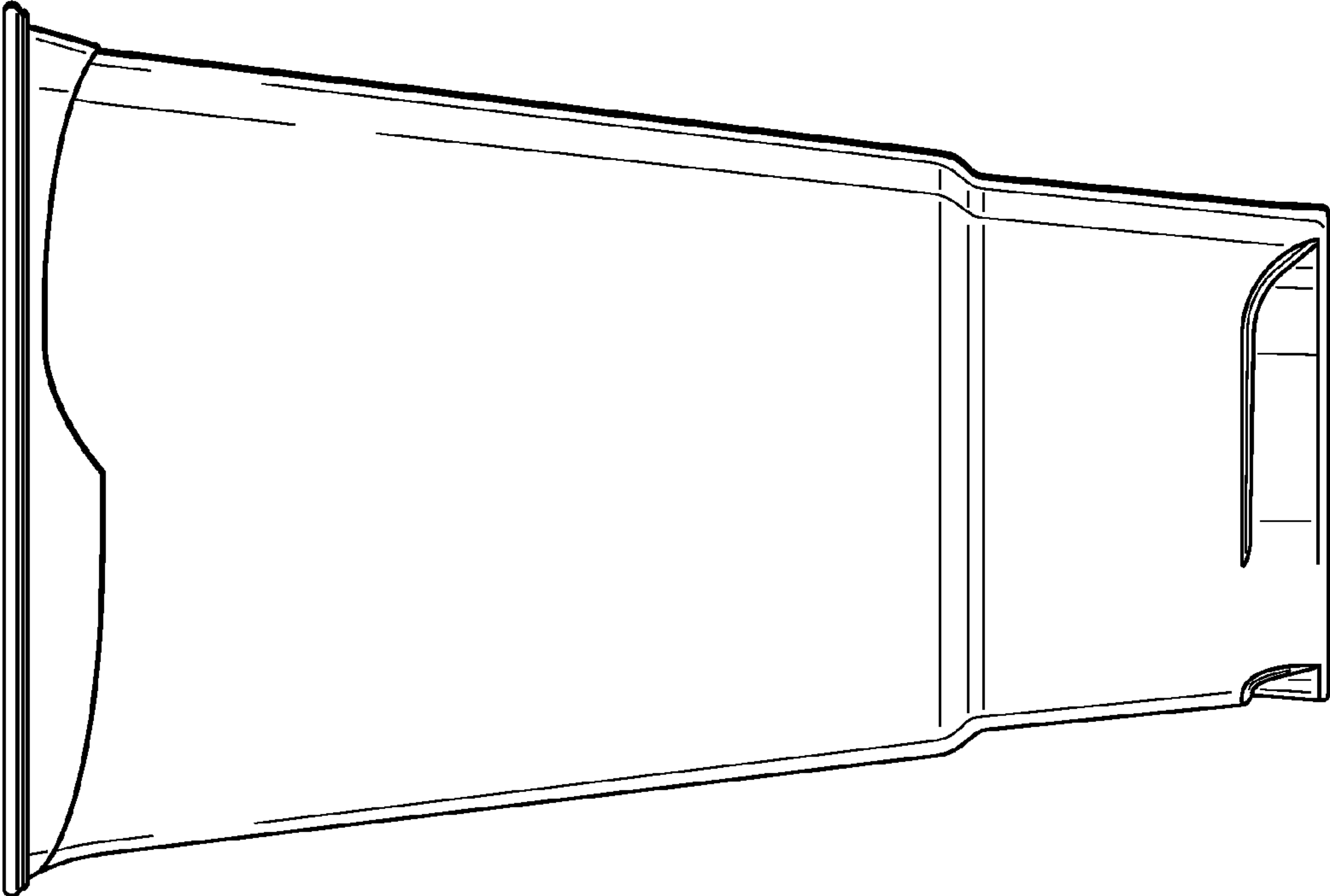
**Fig. 2**



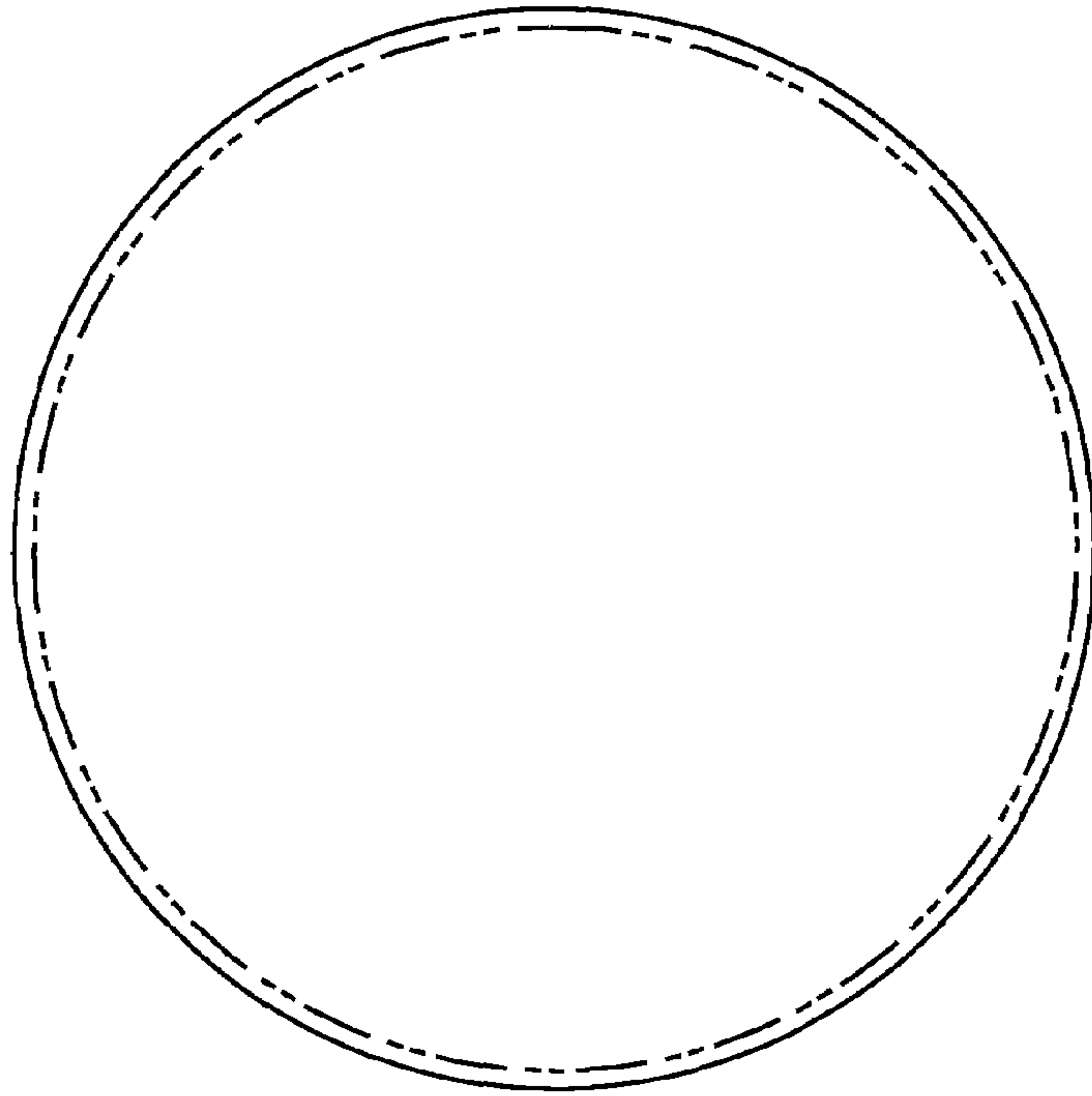
**Fig. 5**



**Fig. 4**



**Fig. 6**



**Fig. 7**

