



US00D613551S

(12) **United States Design Patent**  
**Pantaleo**

(10) **Patent No.:** **US D613,551 S**

(45) **Date of Patent:** **\*\* Apr. 13, 2010**

(54) **COOKWARE HANDLE**

D592,452 S \* 5/2009 Tetreault ..... D7/395  
D599,165 S \* 9/2009 Rae ..... D7/395

(75) Inventor: **Sarah Pantaleo**, Sandy Springs, GA  
(US)

\* cited by examiner

(73) Assignee: **Calphalon Corporation**, Atlanta, GA  
(US)

*Primary Examiner*—Philip S Hyder

*Assistant Examiner*—Cynthia M Chin

(74) *Attorney, Agent, or Firm*—Gardner Groff Greenwald &  
Villanueva PC

(\*\*) Term: **14 Years**

(57) **CLAIM**

(21) Appl. No.: **29/340,628**

The ornamental design for a cookware handle, as shown and described.

(22) Filed: **Jul. 22, 2009**

**DESCRIPTION**

(51) **LOC (9) Cl.** ..... **07-02**

FIG. 1 is a top perspective view of a cookware handle according to the present invention.

(52) **U.S. Cl.** ..... **D7/395**

FIG. 2 is a top view of the cookware handle of FIG. 1.

(58) **Field of Classification Search** ..... D7/354–361,

FIG. 3 is a bottom view of the cookware handle of FIG. 1.

D7/393–395; D8/107, 300, 303, 307; D4/138,  
D4/129; 16/421, 430, 431, 110.1, 407; 220/573.1–573.5,  
220/752, 753, 755, 756, 759, 771, 912

FIG. 4 is a right side view of the cookware handle of FIG. 1, the left side view being a mirror image thereof.

See application file for complete search history.

FIG. 5 is a front end (mounting end) view of the cookware handle of FIG. 1; and,

(56) **References Cited**

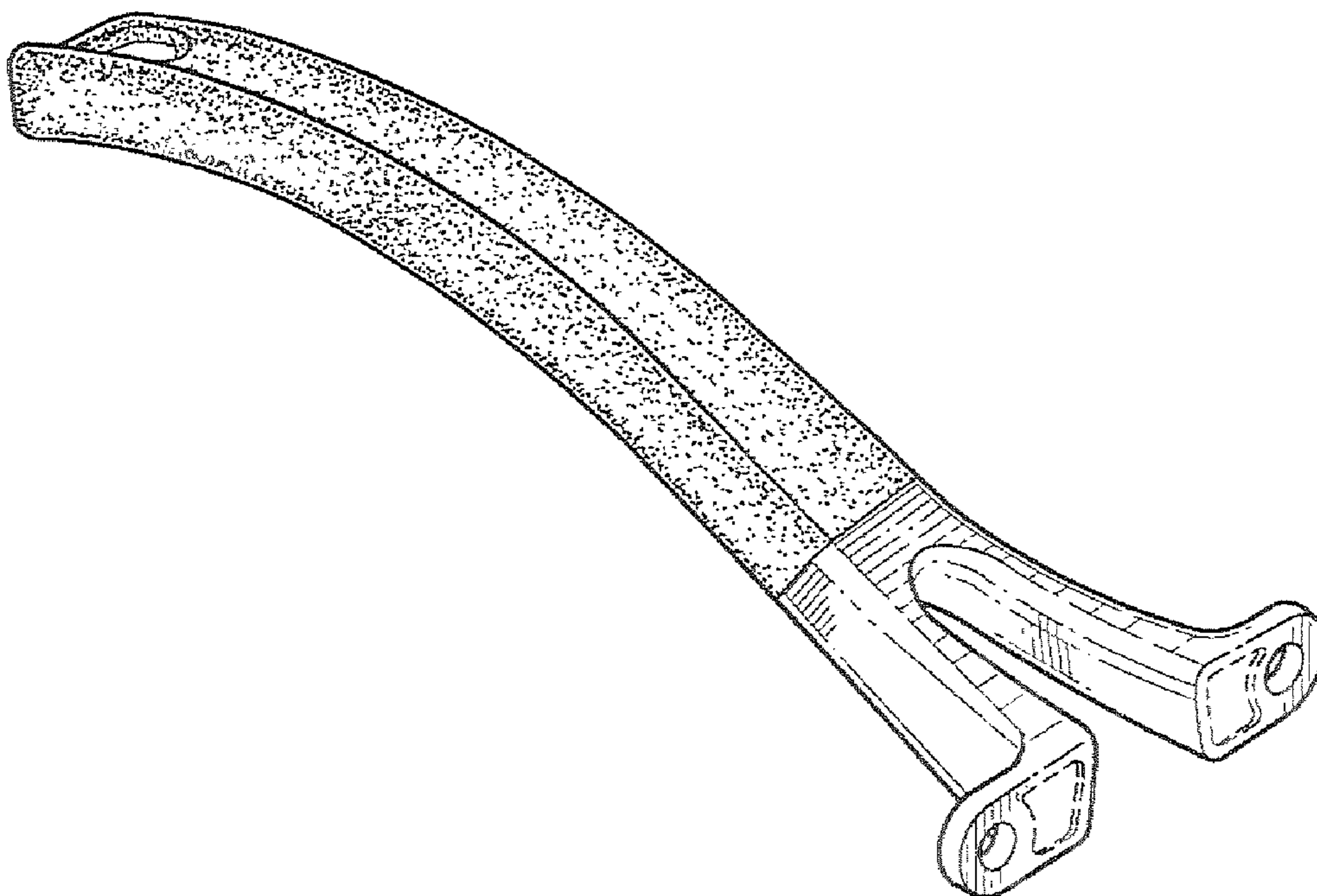
FIG. 6 is a rear end (gripping end) view of cookware handle of FIG. 1.

**U.S. PATENT DOCUMENTS**

The broken lines immediately adjacent the shaded areas represent the bounds of the claim and all other broken lines represent unclaimed portions of the design. None of the broken lines form a part of the claimed design.

D407,600 S *	4/1999	LoGiudice	.....	D7/395
D497,767 S *	11/2004	Cacace	.....	D7/361
D497,771 S *	11/2004	Thomkins	.....	D7/395
D518,352 S *	4/2006	Brasset	.....	D8/300
D550,027 S *	9/2007	Hadj-Chikh et al.	.....	D7/361
D580,703 S *	11/2008	Devries	.....	D7/393

**1 Claim, 6 Drawing Sheets**



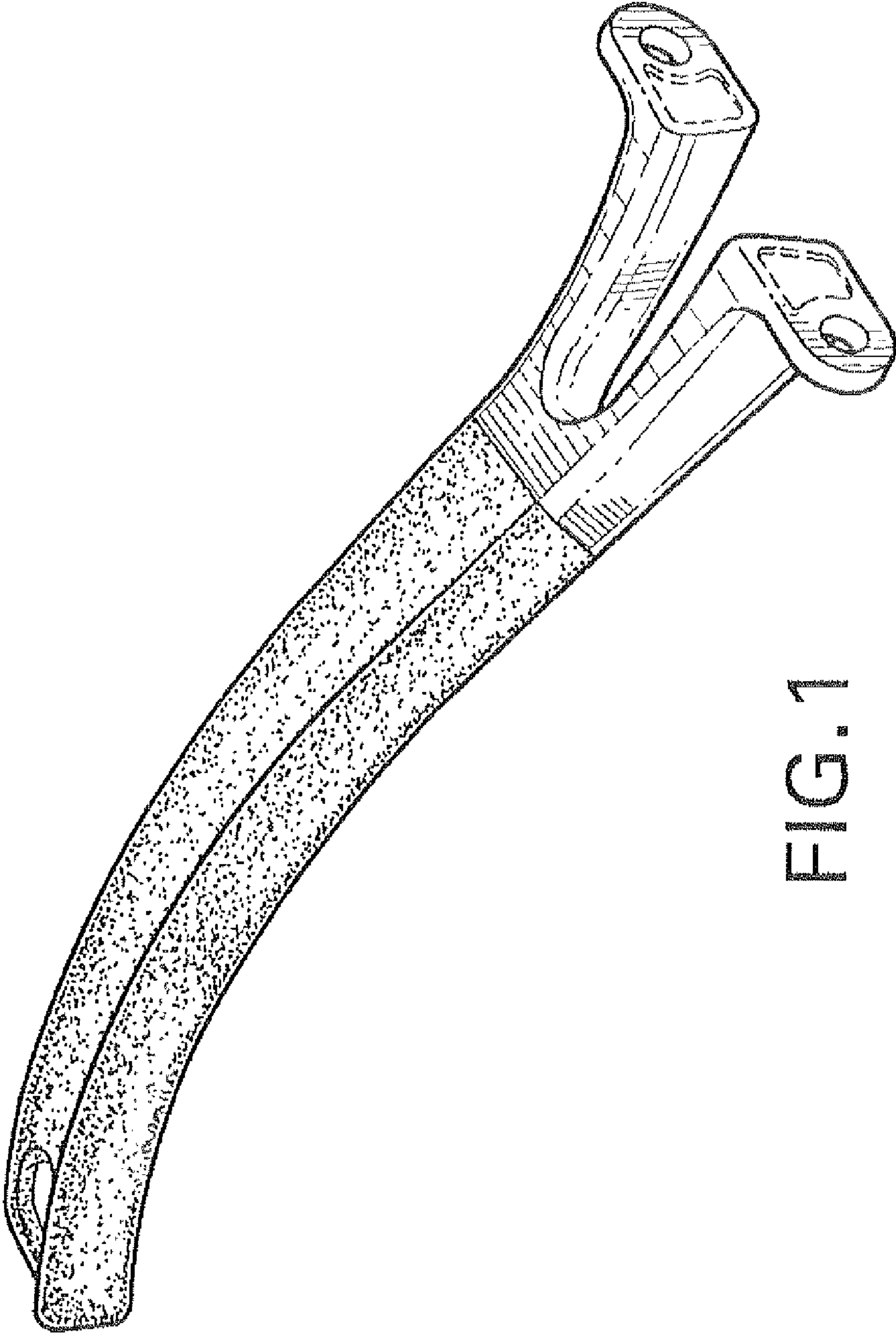


FIG. 1

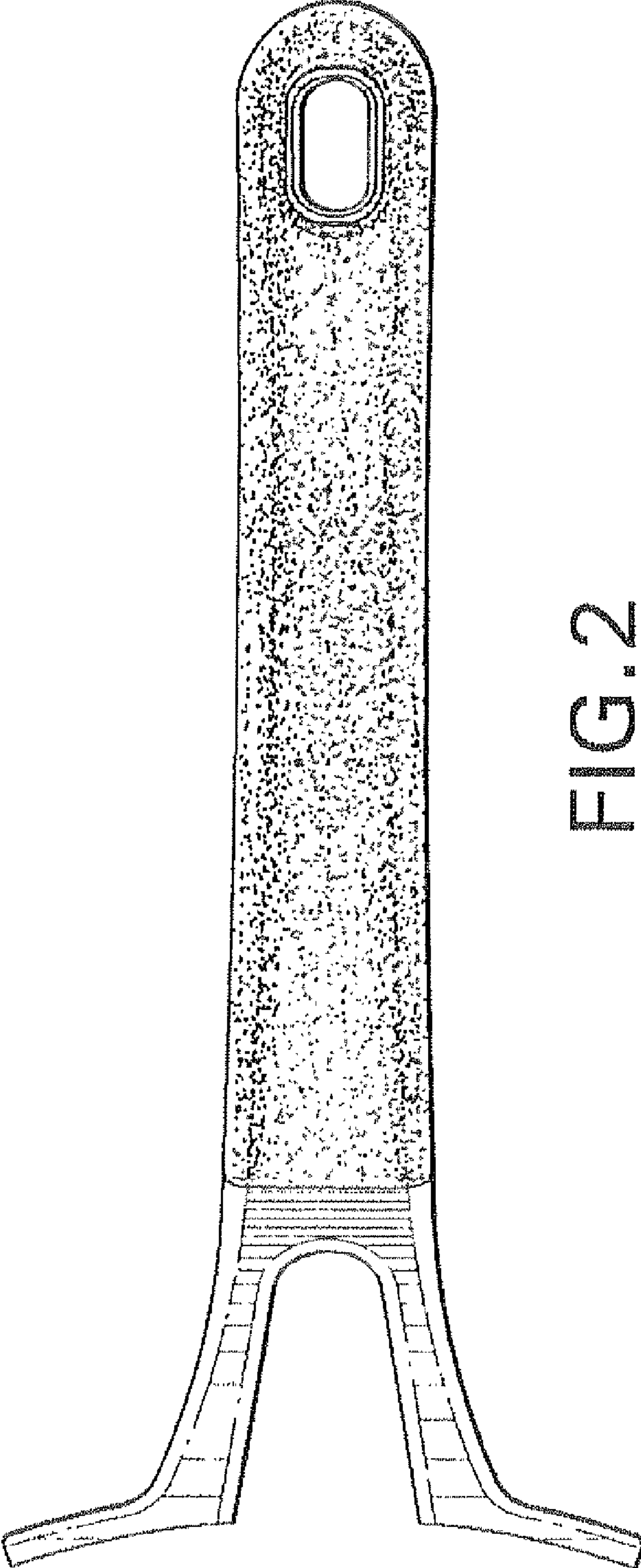


FIG. 2

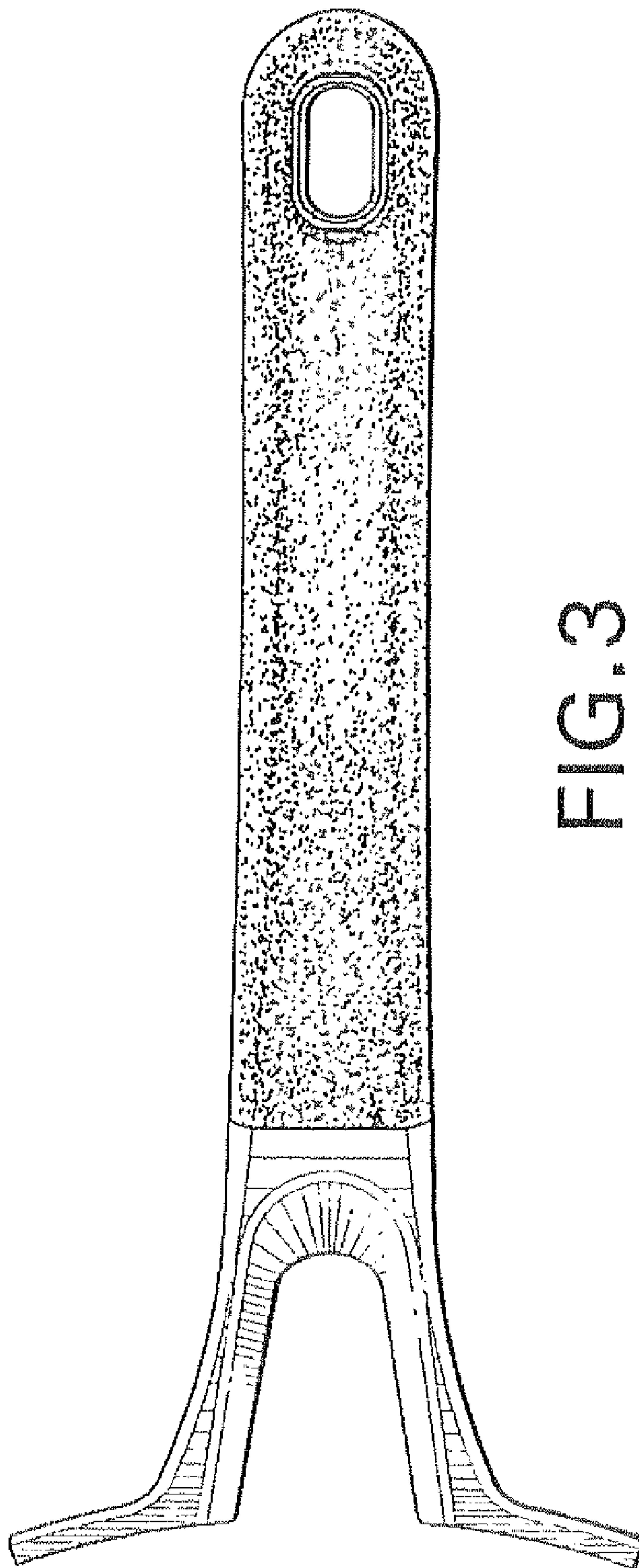


FIG. 3



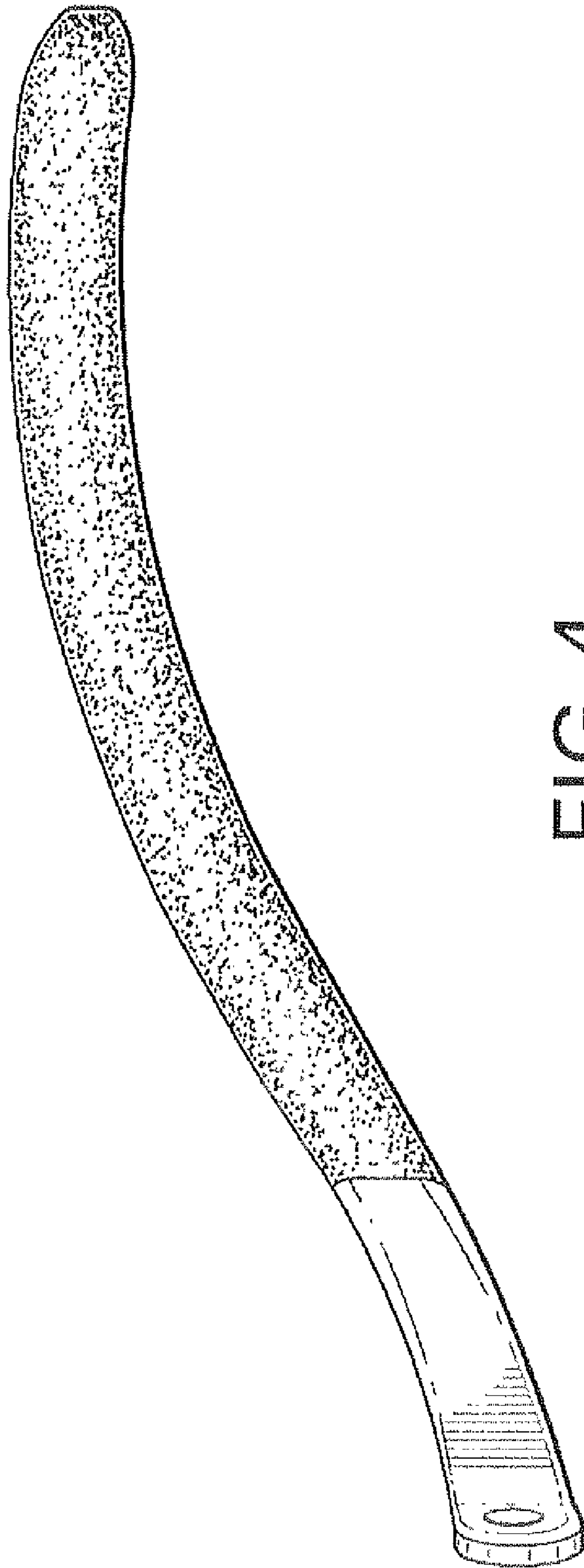


FIG. 4

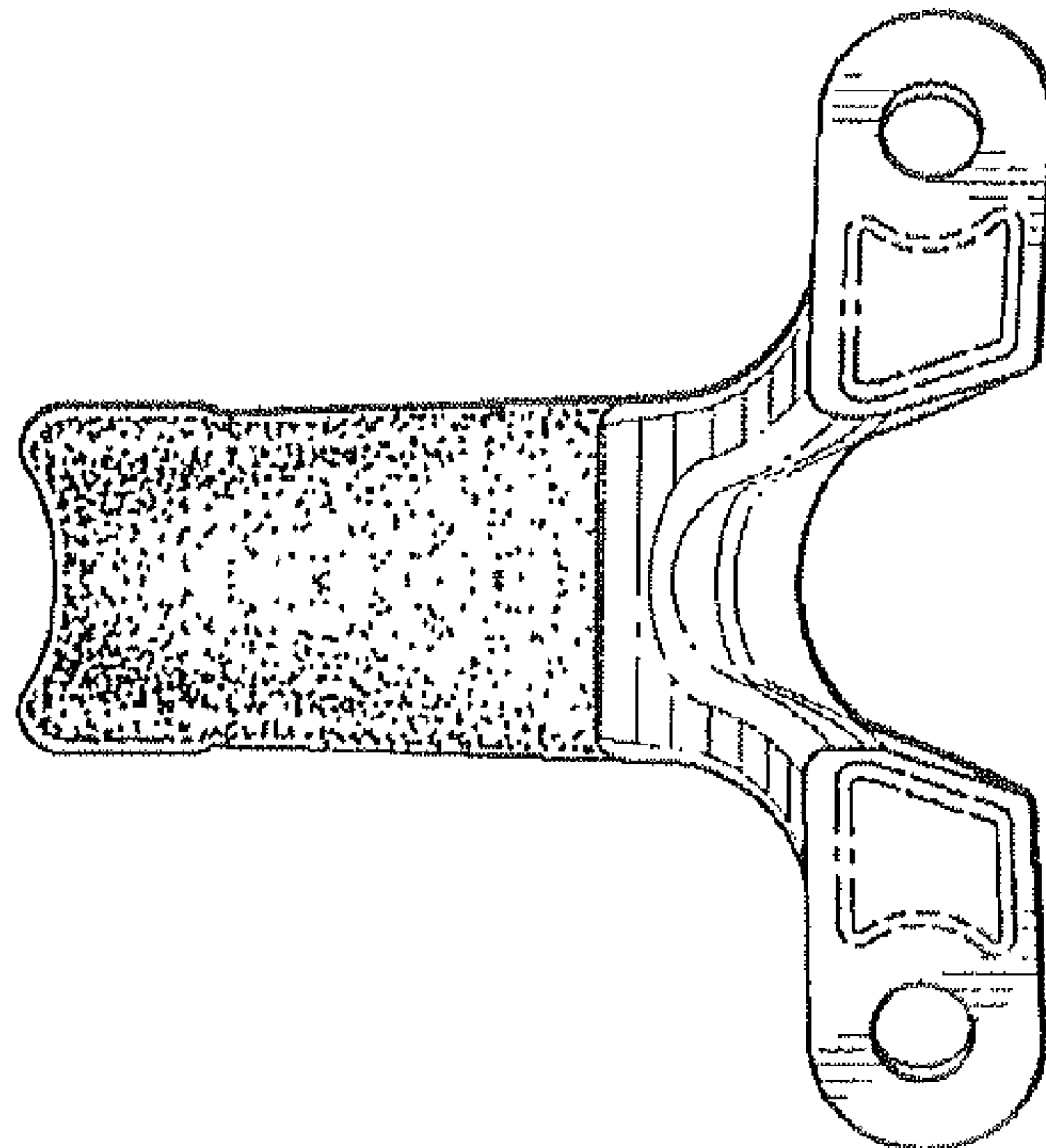


FIG. 5

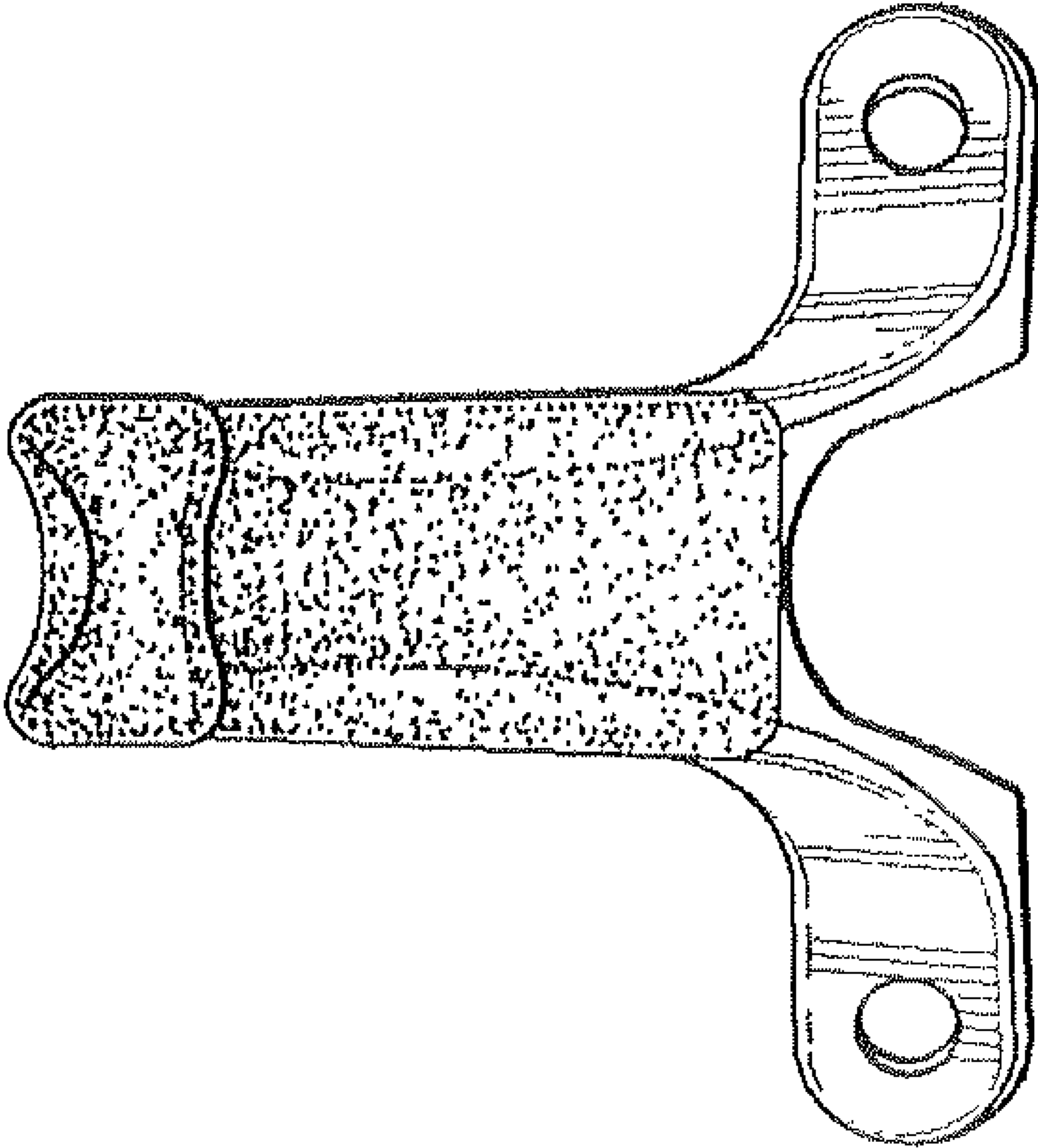


FIG. 6