



US00D613550S

(12) **United States Design Patent**
Picozza et al.

(10) **Patent No.:** **US D613,550 S**

(45) **Date of Patent:** **** Apr. 13, 2010**

(54) **BLENDER**

(75) Inventors: **Augusto Picozza**, Boca Raton, FL (US);
Douglas Goodner, Weston, FL (US);
Brooks Rorke, Guilford, CT (US)

(73) Assignee: **Sunbeam Products, Inc.**, Boca Raton,
FL (US)

(**) Term: **14 Years**

(21) Appl. No.: **29/343,976**

(22) Filed: **Sep. 22, 2009**

(51) **LOC (9) Cl.** **31-00**

(52) **U.S. Cl.** **D7/386; D7/378**

(58) **Field of Classification Search** D7/317-318,
D7/356, 376-386, 412-415, 665; 99/348,
99/509-511; 241/30-37.5, 101.01-101.2,
241/166-169.1, 274-278.2, 285.1-285.3,
241/291, 292.1; 366/64-67, 98, 142, 192,
366/197-211, 241-254, 279-292, 341-347;
476/58

See application file for complete search history.

(56) **References Cited**

U.S. PATENT DOCUMENTS

D403,202 S * 12/1998 Cousins D7/378
D412,809 S * 8/1999 Toro et al. D7/378

D439,106 S * 3/2001 Naft et al. D7/386
D473,099 S * 4/2003 Yamamoto et al. D7/378
D543,072 S * 5/2007 Ting et al. D7/378

* cited by examiner

Primary Examiner—Caron Veynar

Assistant Examiner—Ricky Pham

(74) *Attorney, Agent, or Firm*—Seth M. Blum

(57) **CLAIM**

The ornamental design for a blender, as shown and described.

DESCRIPTION

FIG. 1 is a front left perspective view of the blender showing the new design;

FIG. 2 is a back perspective view thereof;

FIG. 3 is a front elevation view thereof;

FIG. 4 is a back elevation thereof;

FIG. 5 is a left side elevation thereof;

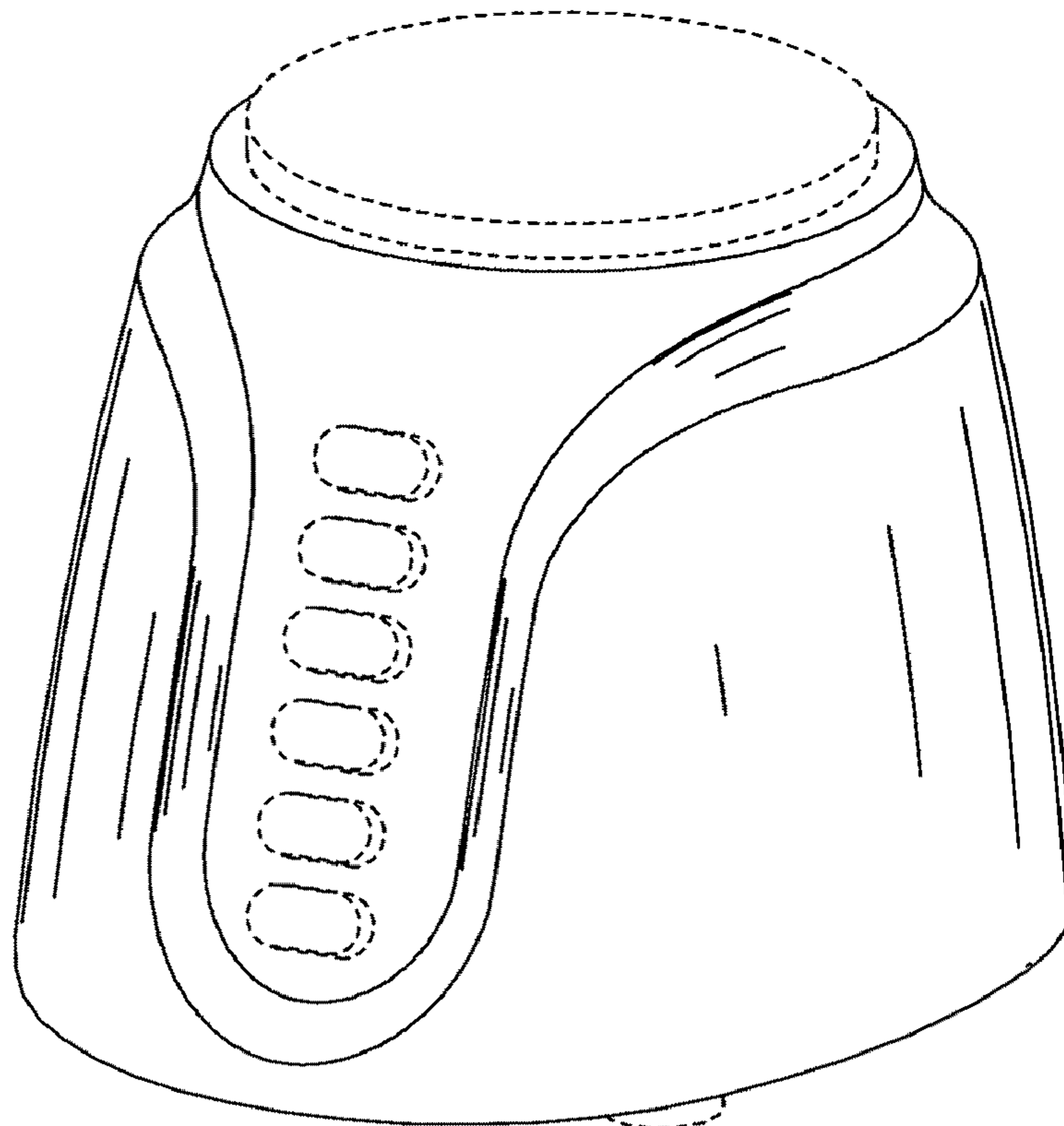
FIG. 6 is a right side elevation thereof;

FIG. 7 is a top plan view thereof; and,

FIG. 8 is a bottom plan view thereof.

The broken lines in the drawings are for illustrative purposes only and form no part of the claimed design.

1 Claim, 8 Drawing Sheets



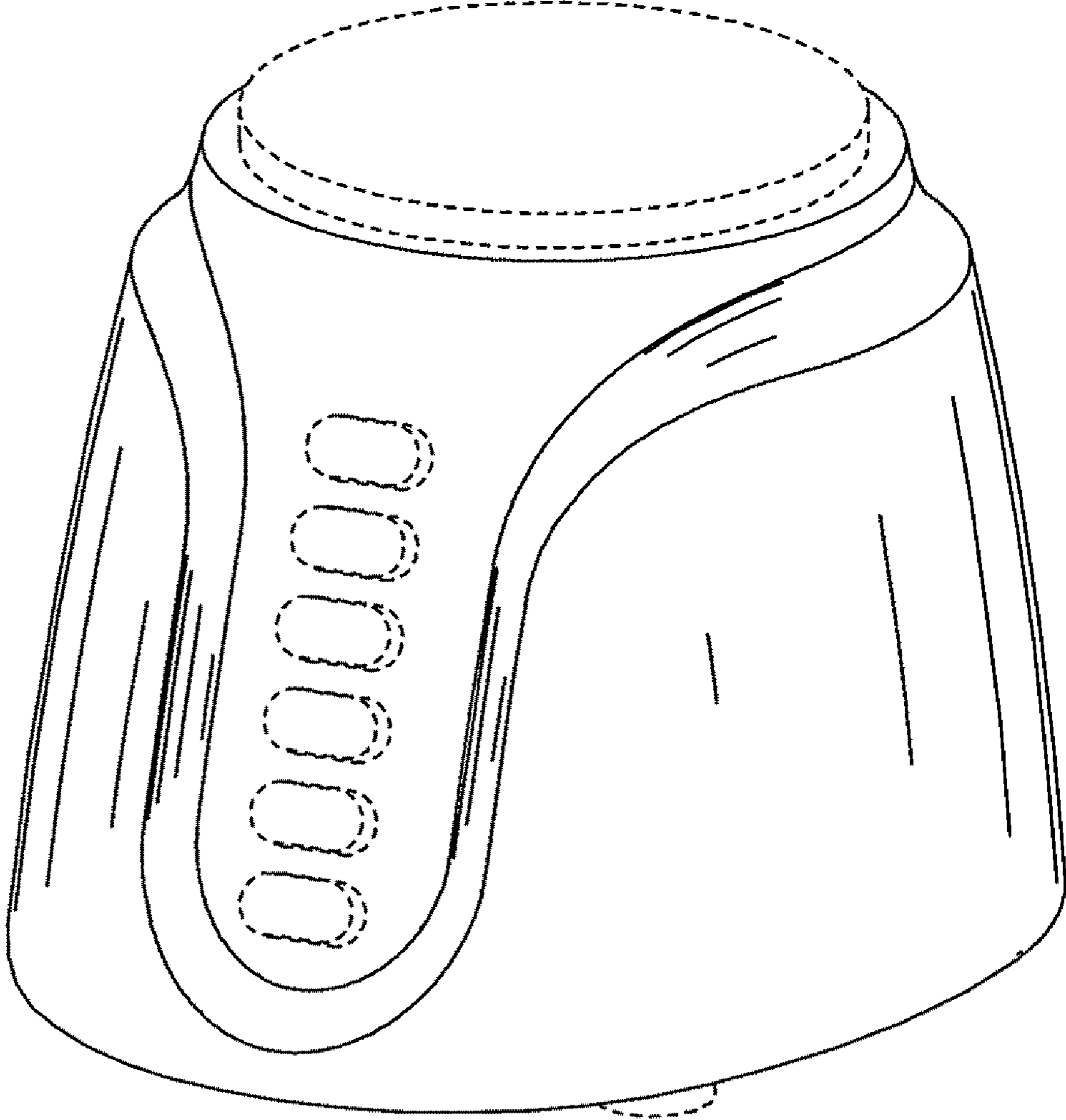


FIG 1

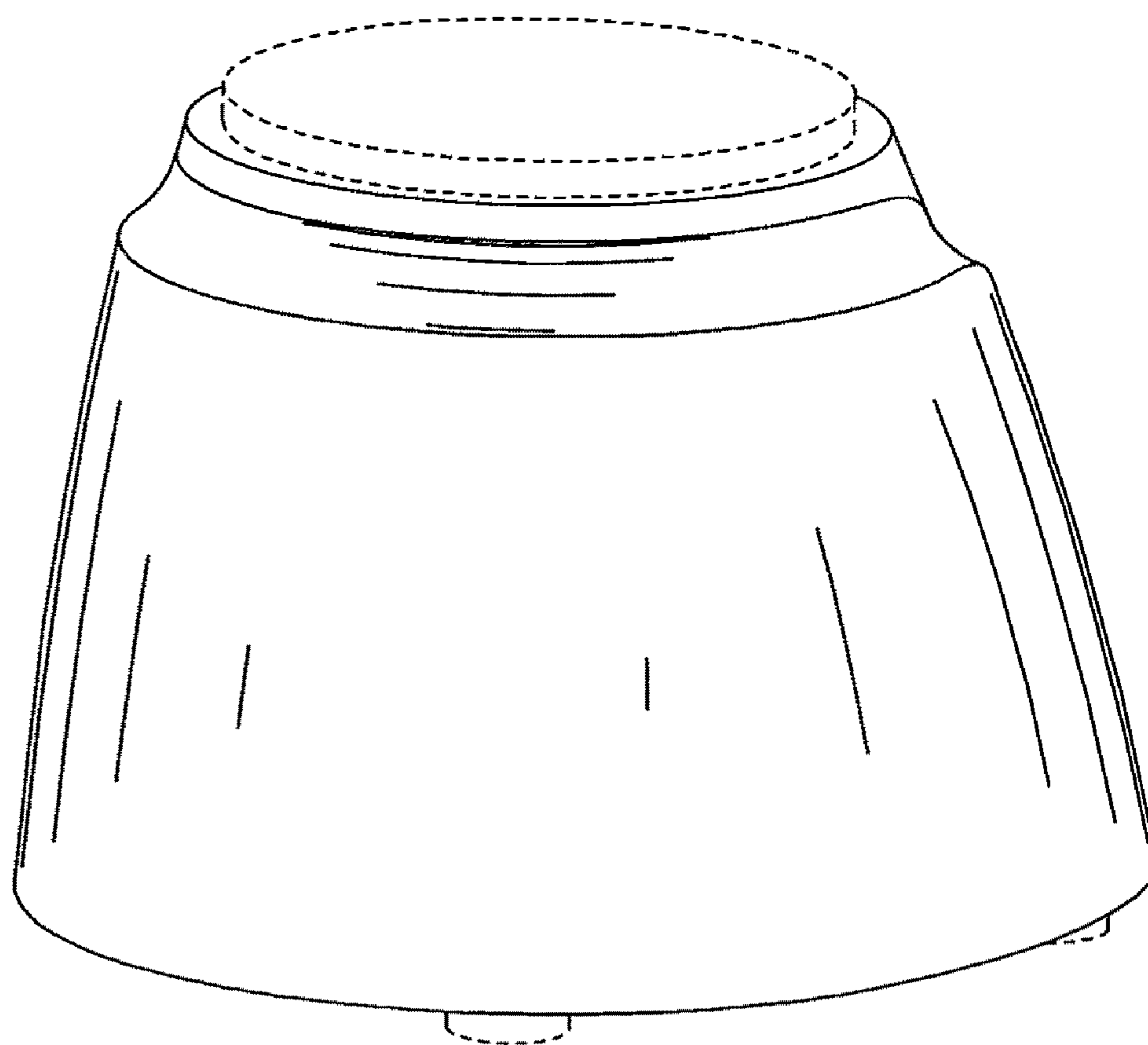


FIG 2

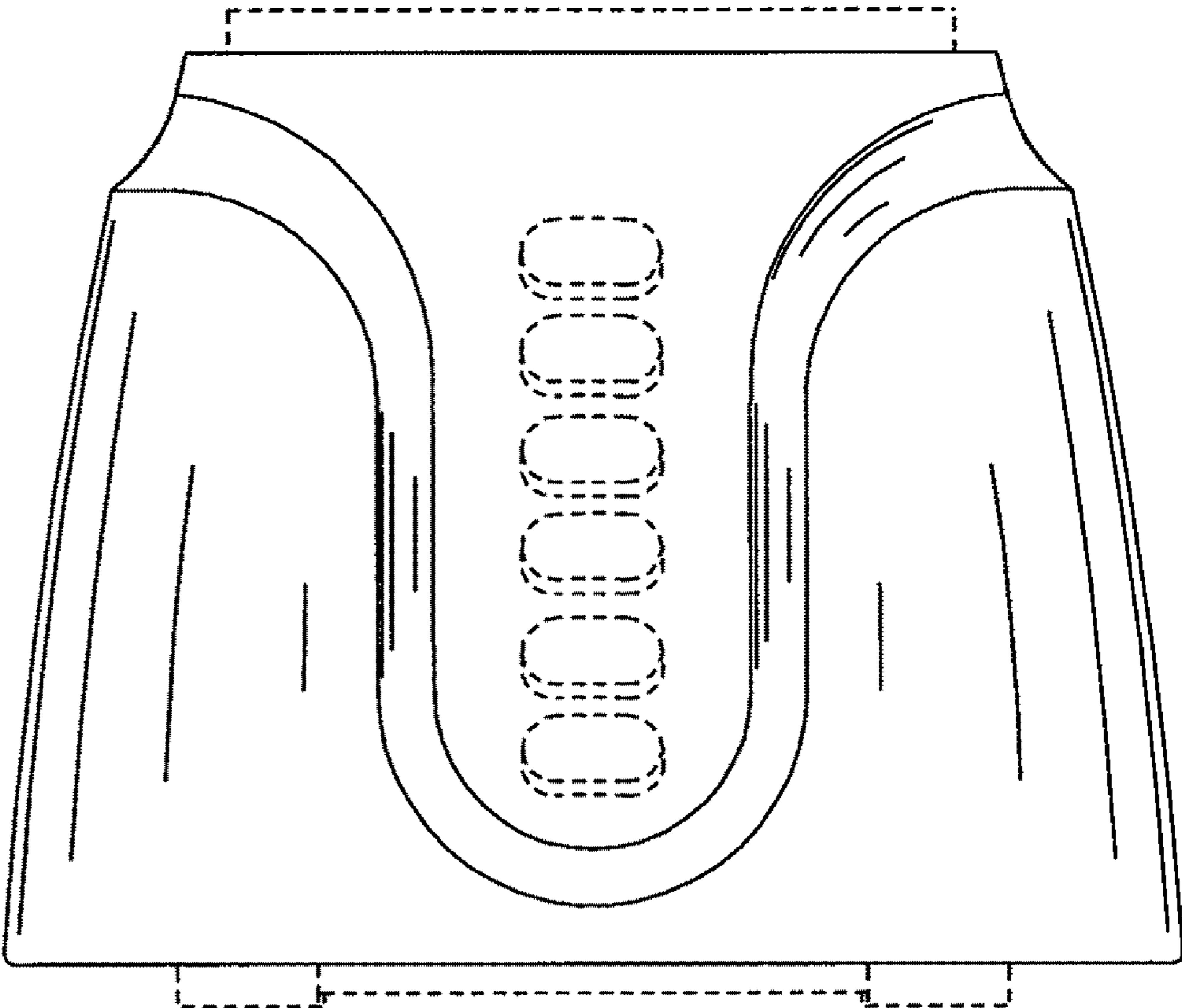


FIG 3

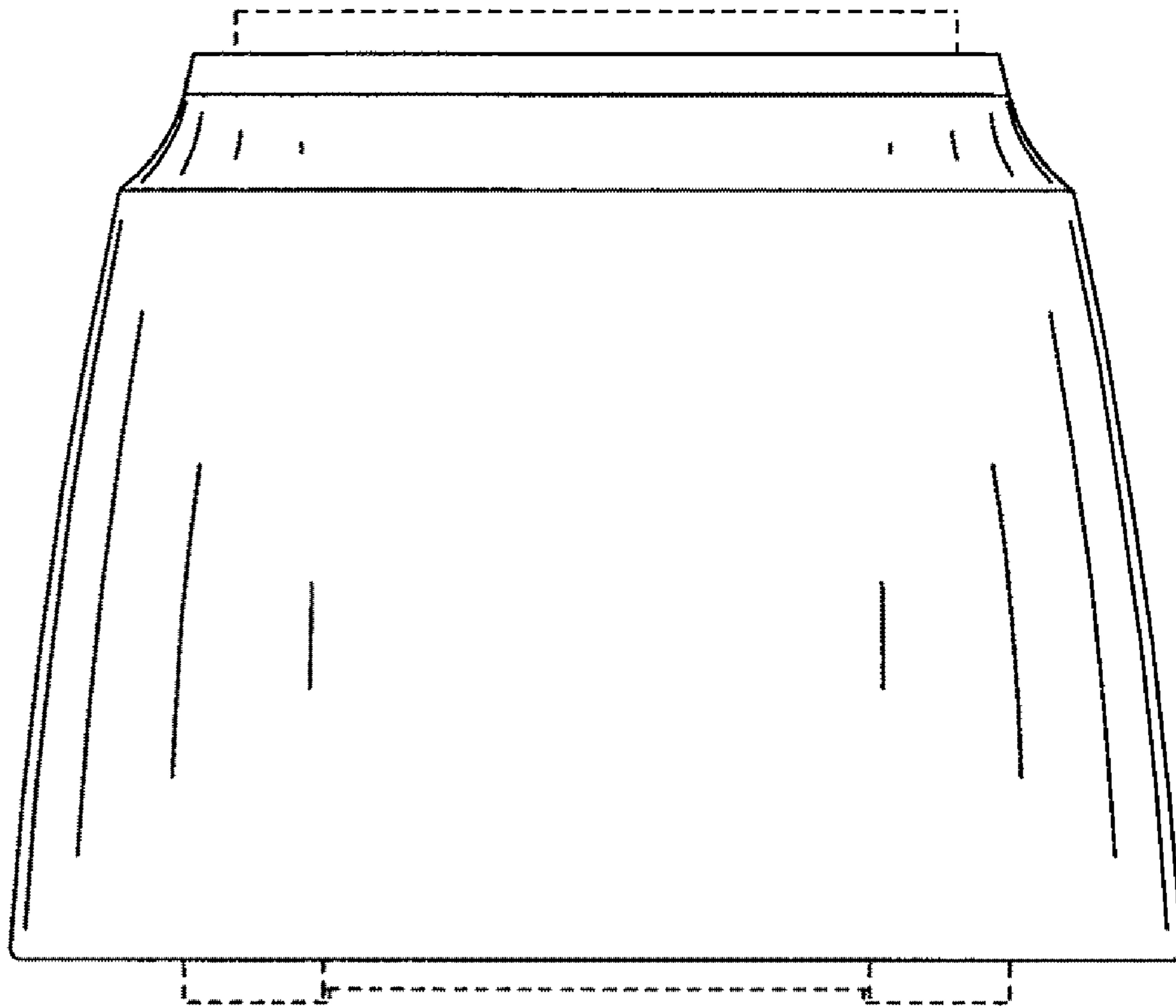


FIG 4

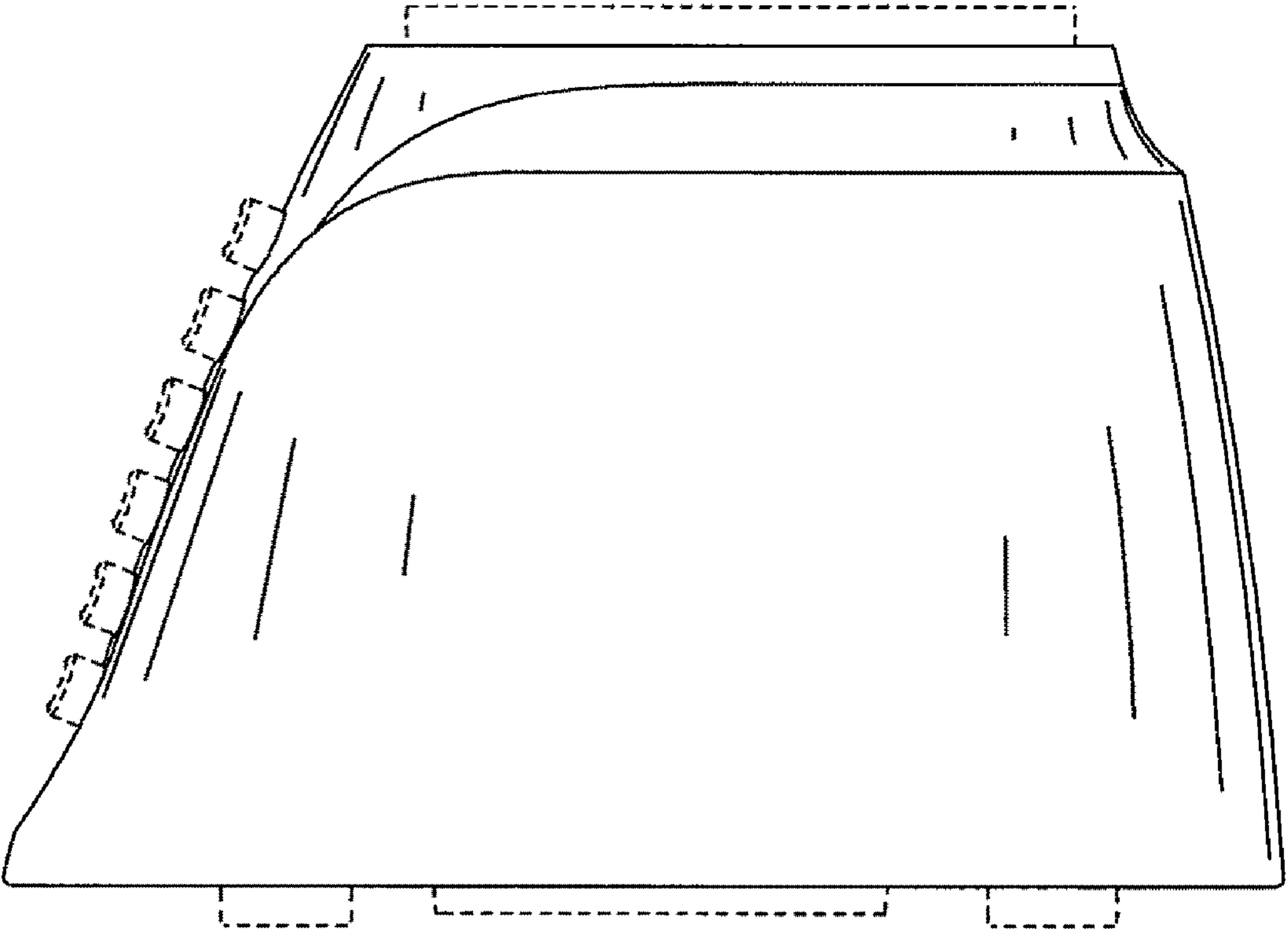


FIG 5

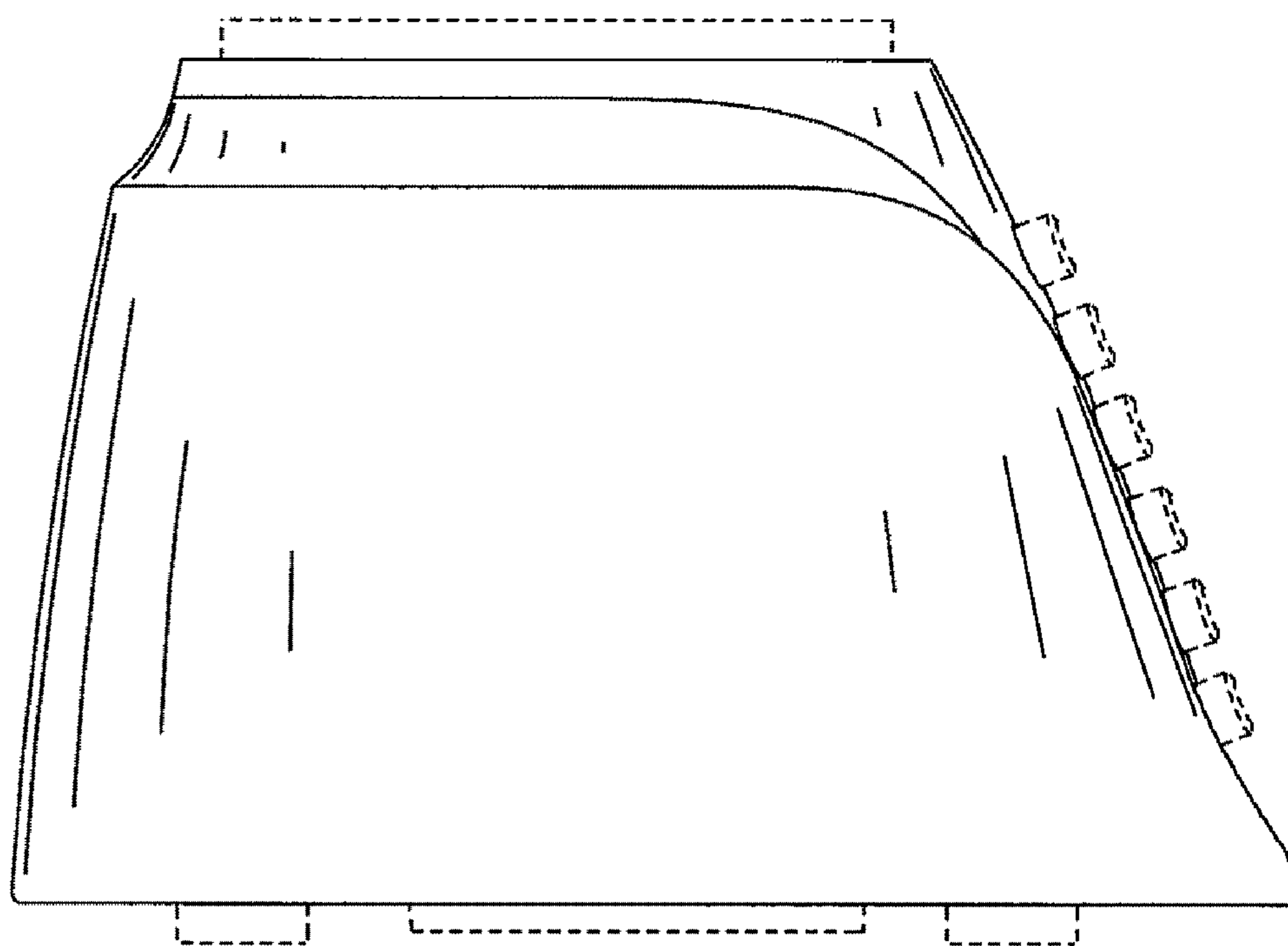


FIG 6

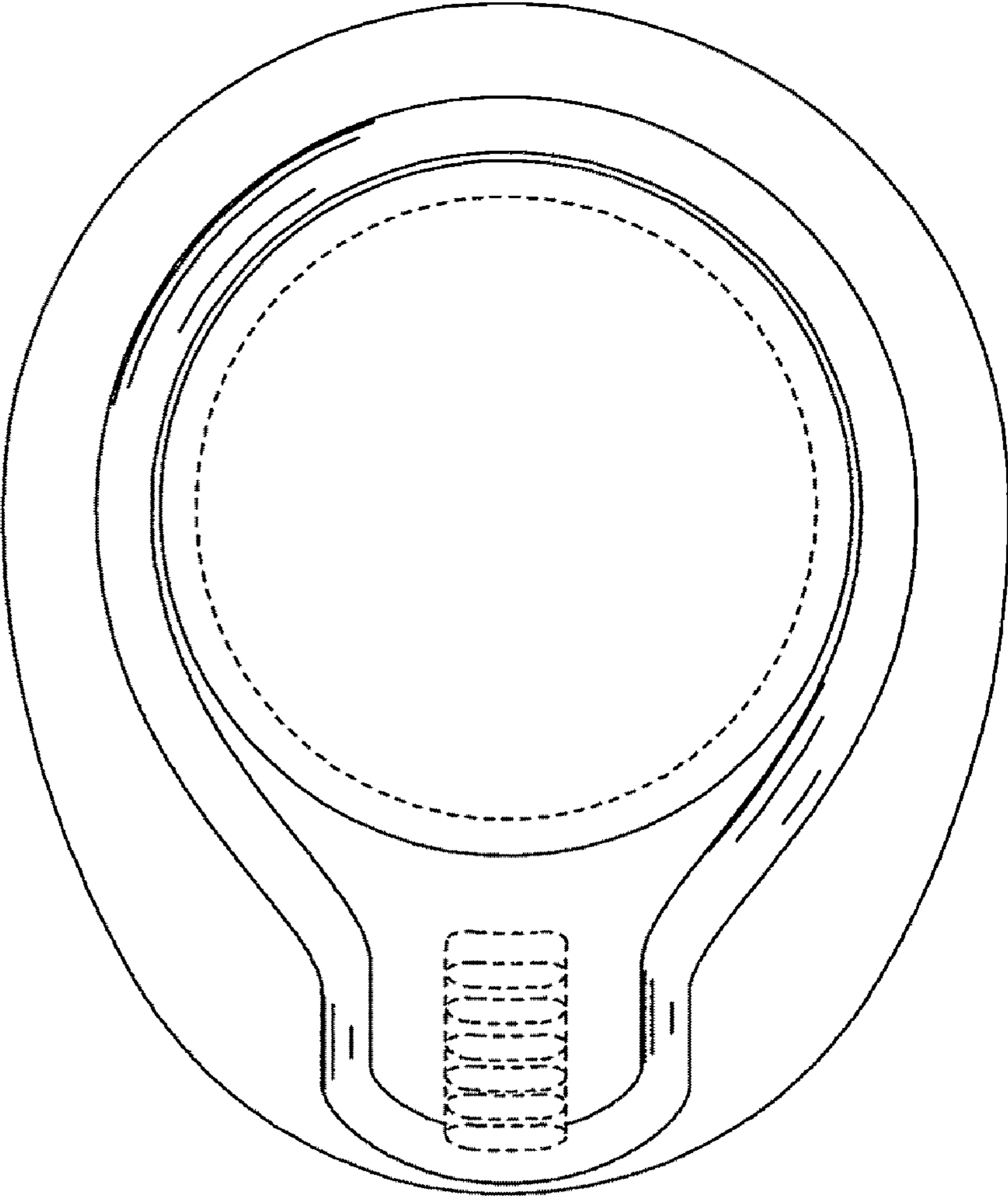


FIG 7

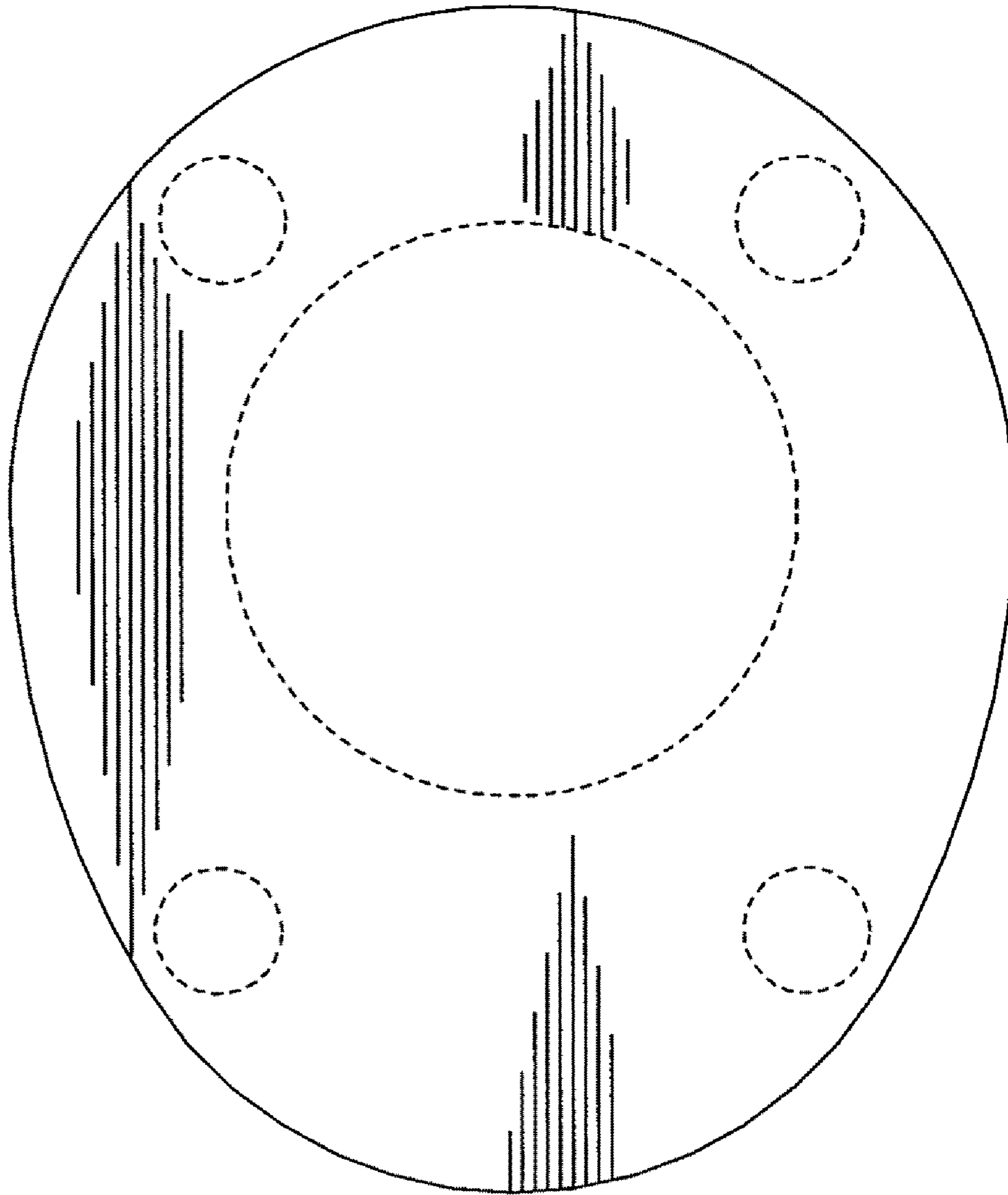


FIG 8