



US00D613549S

(12) **United States Design Patent**
Picozza et al.

(10) **Patent No.:** **US D613,549 S**
(45) **Date of Patent:** **** Apr. 13, 2010**

(54) **STAND MIXER**

(75) Inventors: **Augusto Picozza**, Boca Raton, FL (US);
Giovanni Pino, Delray Beach, FL (US);
Scott Henderson, Brooklyn, NY (US)

(73) Assignee: **Sunbeam Products, Inc.**, Boca Raton,
FL (US)

(**) Term: **14 Years**

(21) Appl. No.: **29/345,265**

(22) Filed: **Oct. 13, 2009**

(51) **LOC (9) Cl.** **31-00**

(52) **U.S. Cl.** **D7/379; D7/376**

(58) **Field of Classification Search** D7/317-318,
D7/356, 376-386, 412-415, 665; 99/348,
99/509-511; 241/30-37.5, 101.01-101.2,
241/166-169.1, 274-278.2, 285.1-285.3,
241/291, 292.1; 366/64-67, 98, 142, 192,
366/197-211, 241-254, 279-292, 341-347

See application file for complete search history.

(56) **References Cited**

U.S. PATENT DOCUMENTS

D142,550 S *	10/1945	Ford	D7/379
D162,875 S *	4/1951	Polivka et al.	D7/379
D189,936 S *	3/1961	Henry	D7/379
D209,072 S *	10/1967	Duncan	D7/379
D286,258 S *	10/1986	Grange	D7/379
D319,555 S *	9/1991	Thomas	D7/379

D400,759 S *	11/1998	Doggett	D7/379
D436,497 S *	1/2001	Nalbandian	D7/379
D489,569 S *	5/2004	Smith et al.	D7/379
D489,936 S *	5/2004	Smith et al.	D7/379
D502,841 S *	3/2005	Santer	D7/379
D533,017 S *	12/2006	Wilson	D7/376
D584,916 S *	1/2009	Christou	D7/376

* cited by examiner

Primary Examiner—Caron Veynar

Assistant Examiner—Ricky Pham

(74) *Attorney, Agent, or Firm*—Seth M. Blum

(57) **CLAIM**

The ornamental design for a stand mixer, as shown and described.

DESCRIPTION

FIG. 1 is a front perspective view of the stand mixer showing the new design;

FIG. 2 is a front elevation view thereof;

FIG. 3 is a back elevation view thereof;

FIG. 4 is a right side elevation thereof;

FIG. 5 is a left side elevation thereof; and

FIG. 6 is a top plan view thereof; and,

FIG. 7 is a bottom plan view thereof.

The broken lines in the drawings are for illustrative purposes only and form no part of the claimed design.

1 Claim, 5 Drawing Sheets

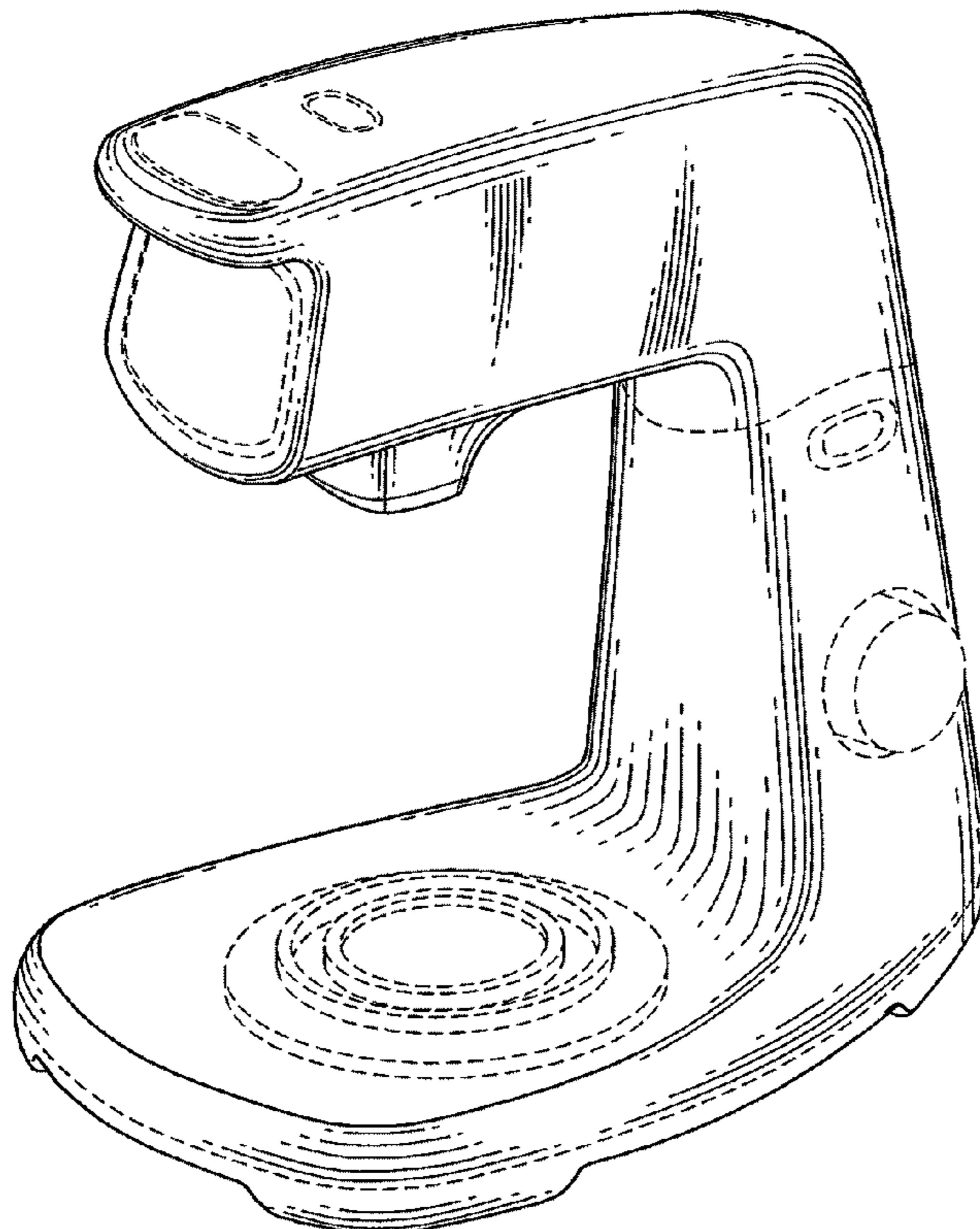


FIG. 1

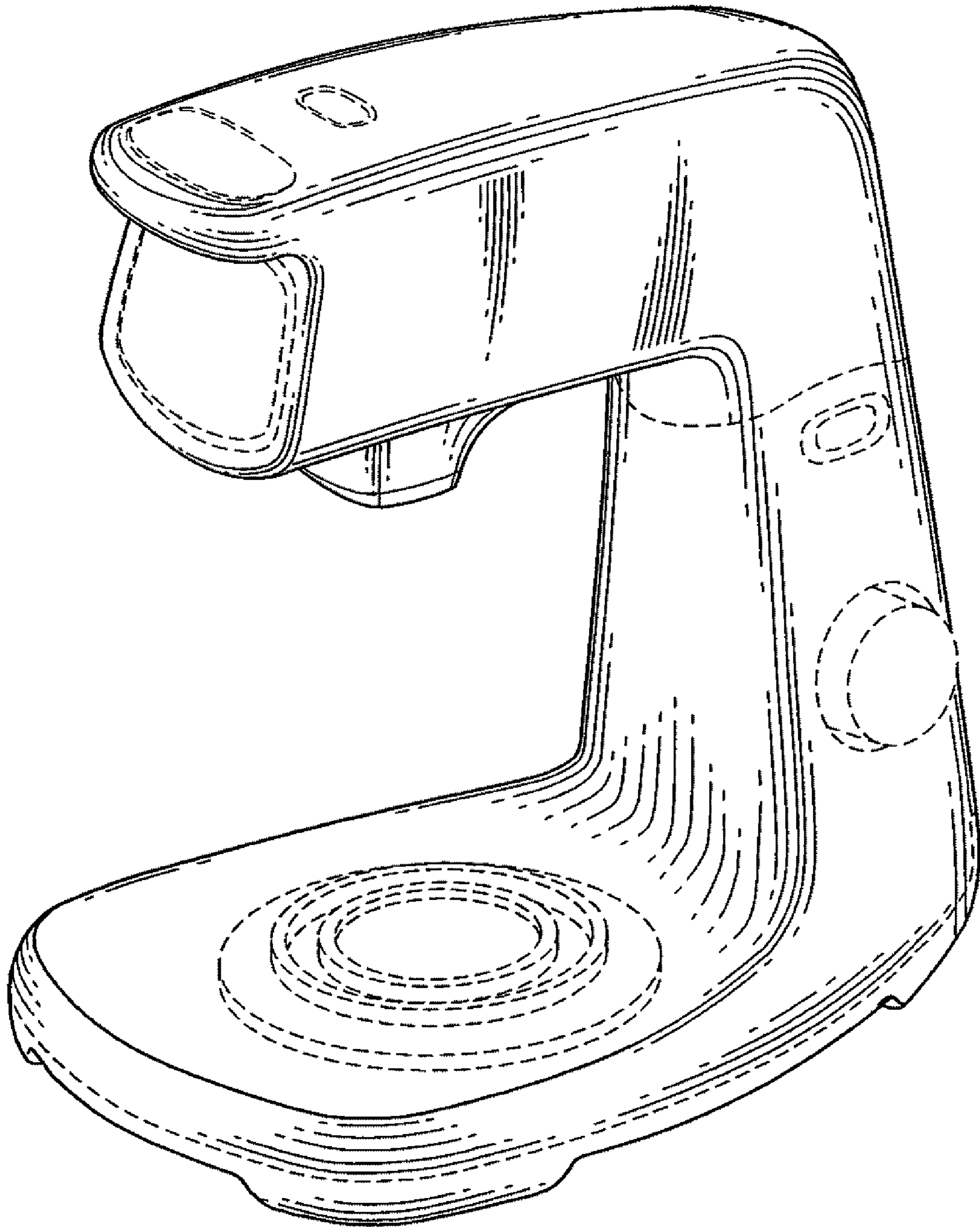


FIG. 3

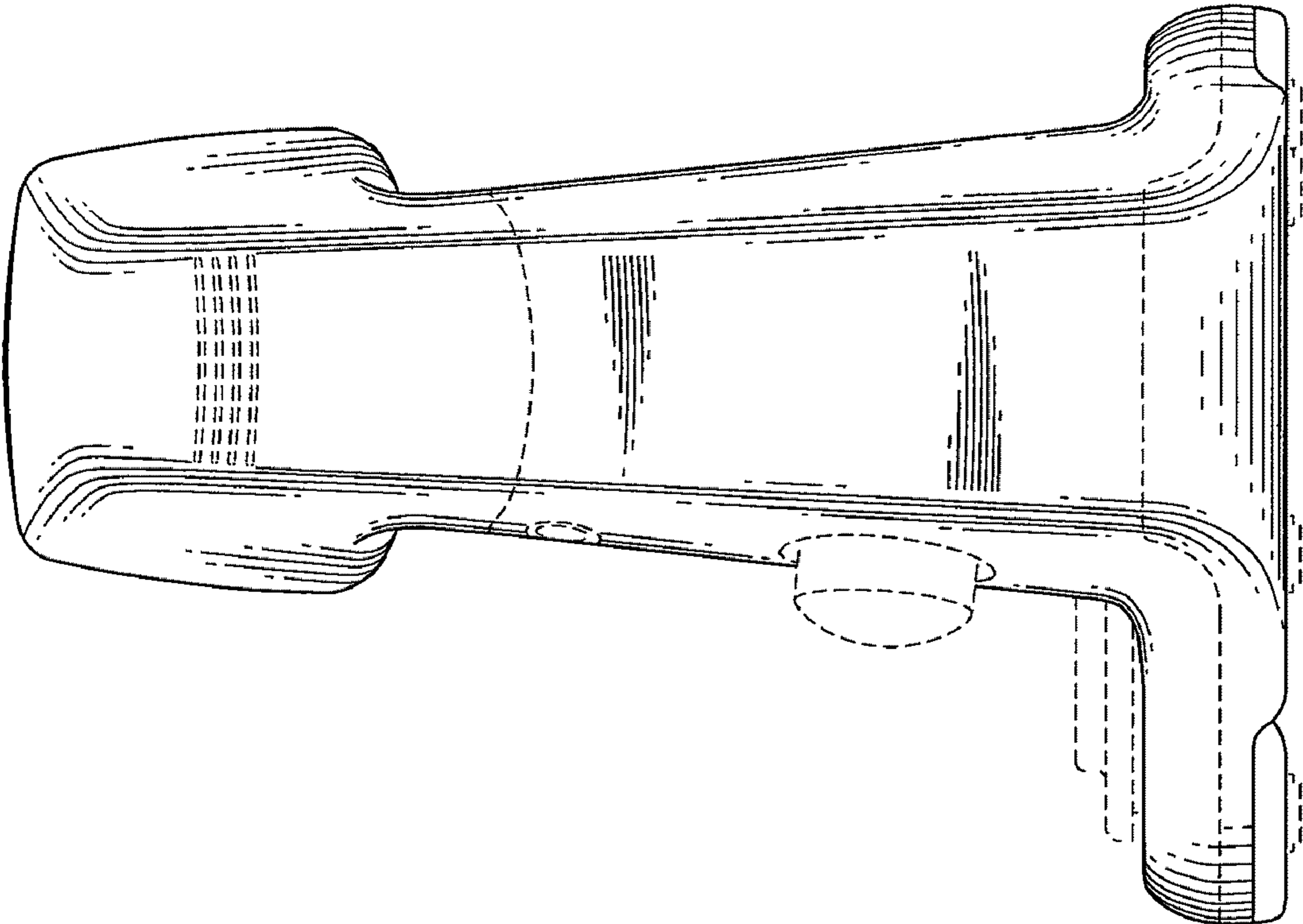


FIG. 2

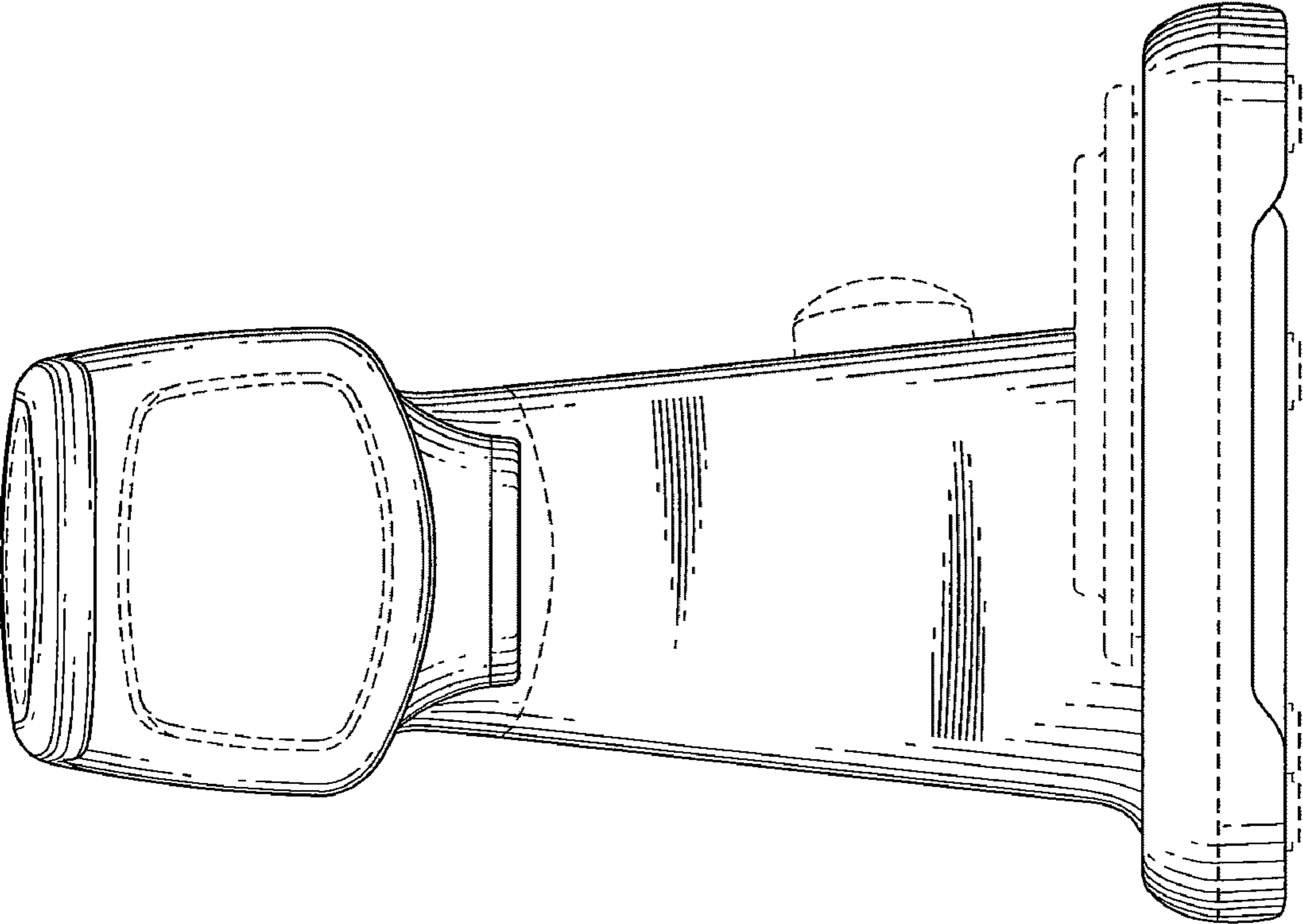


FIG. 4

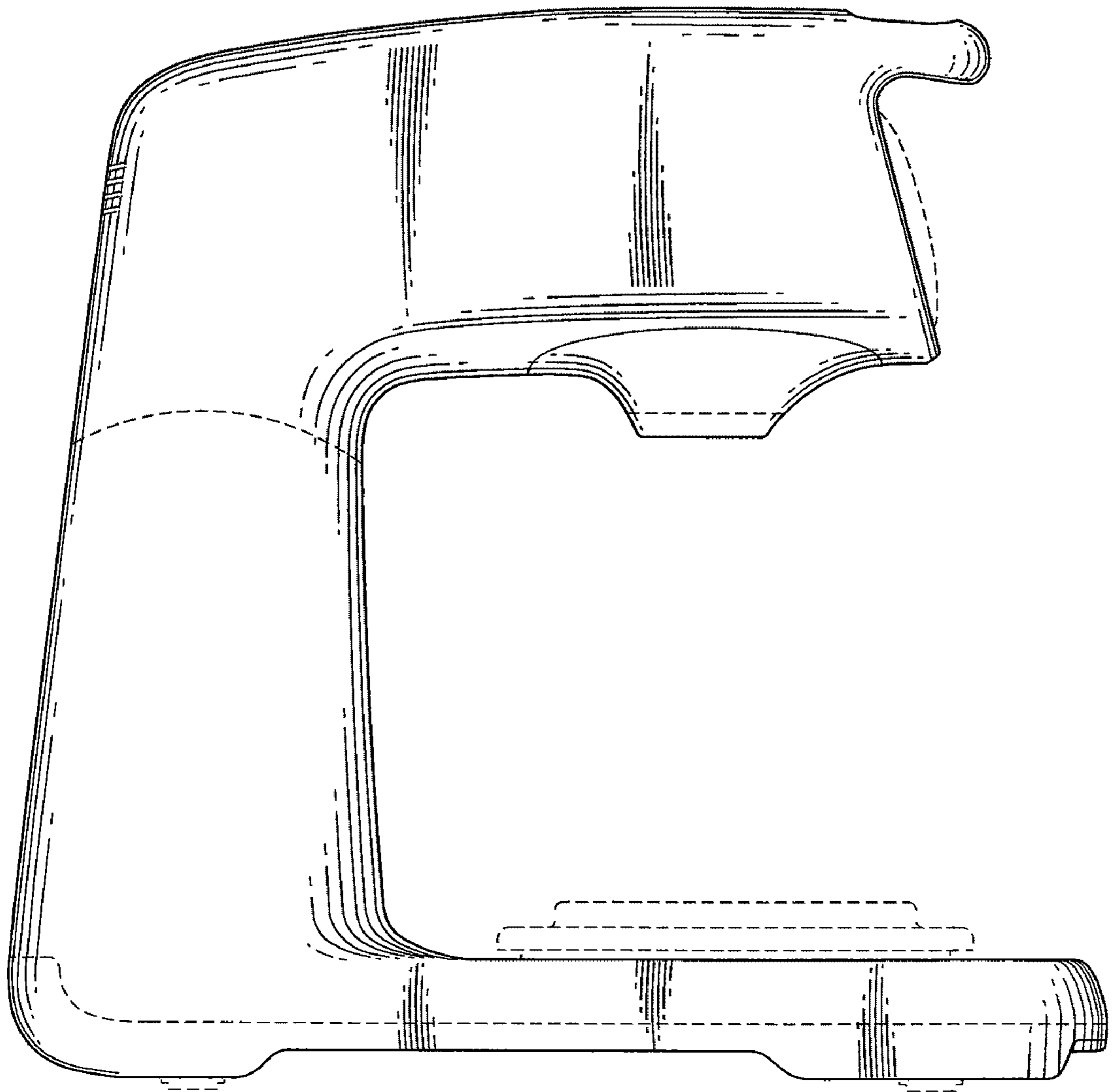


FIG. 5

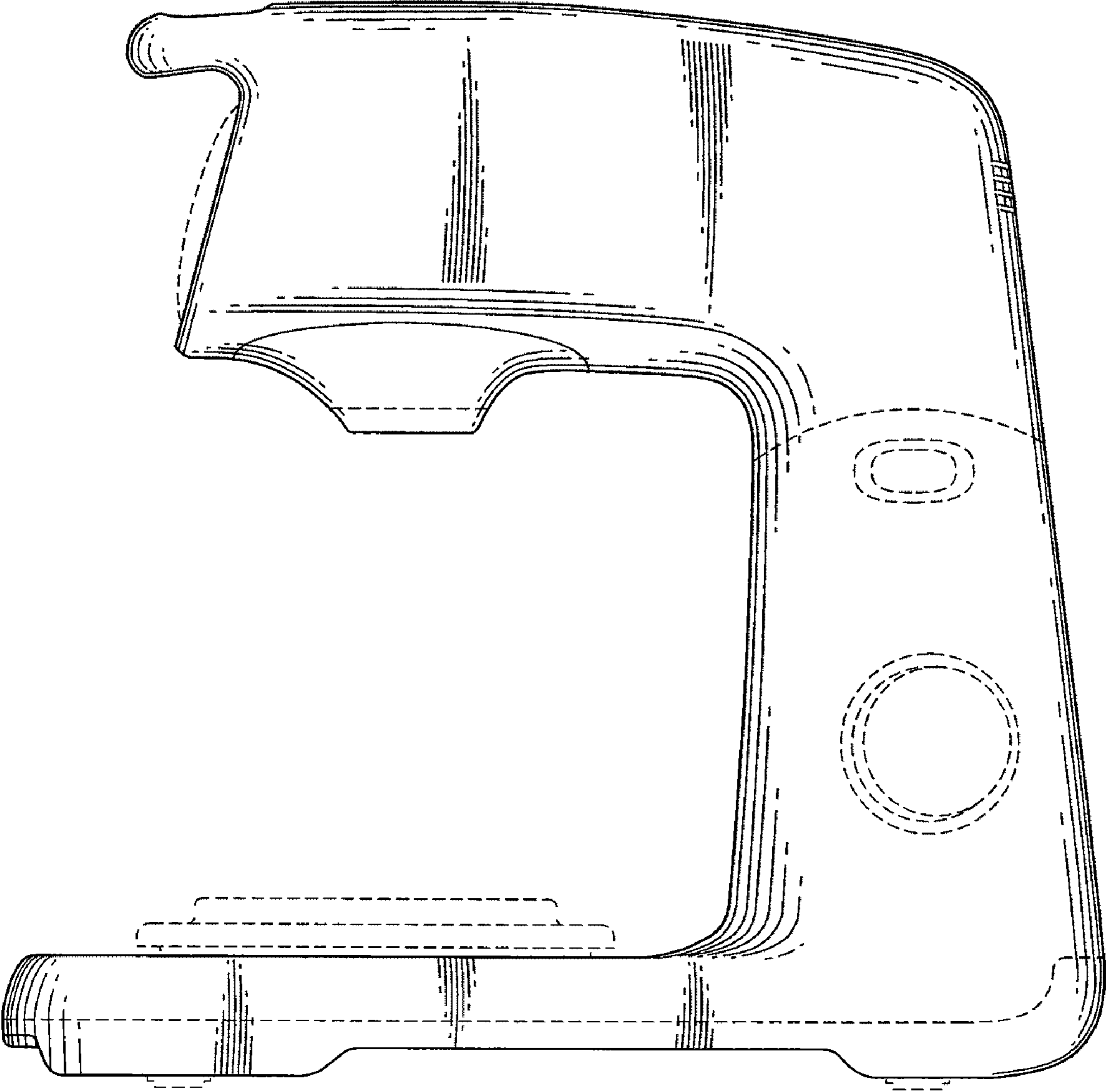


FIG. 6

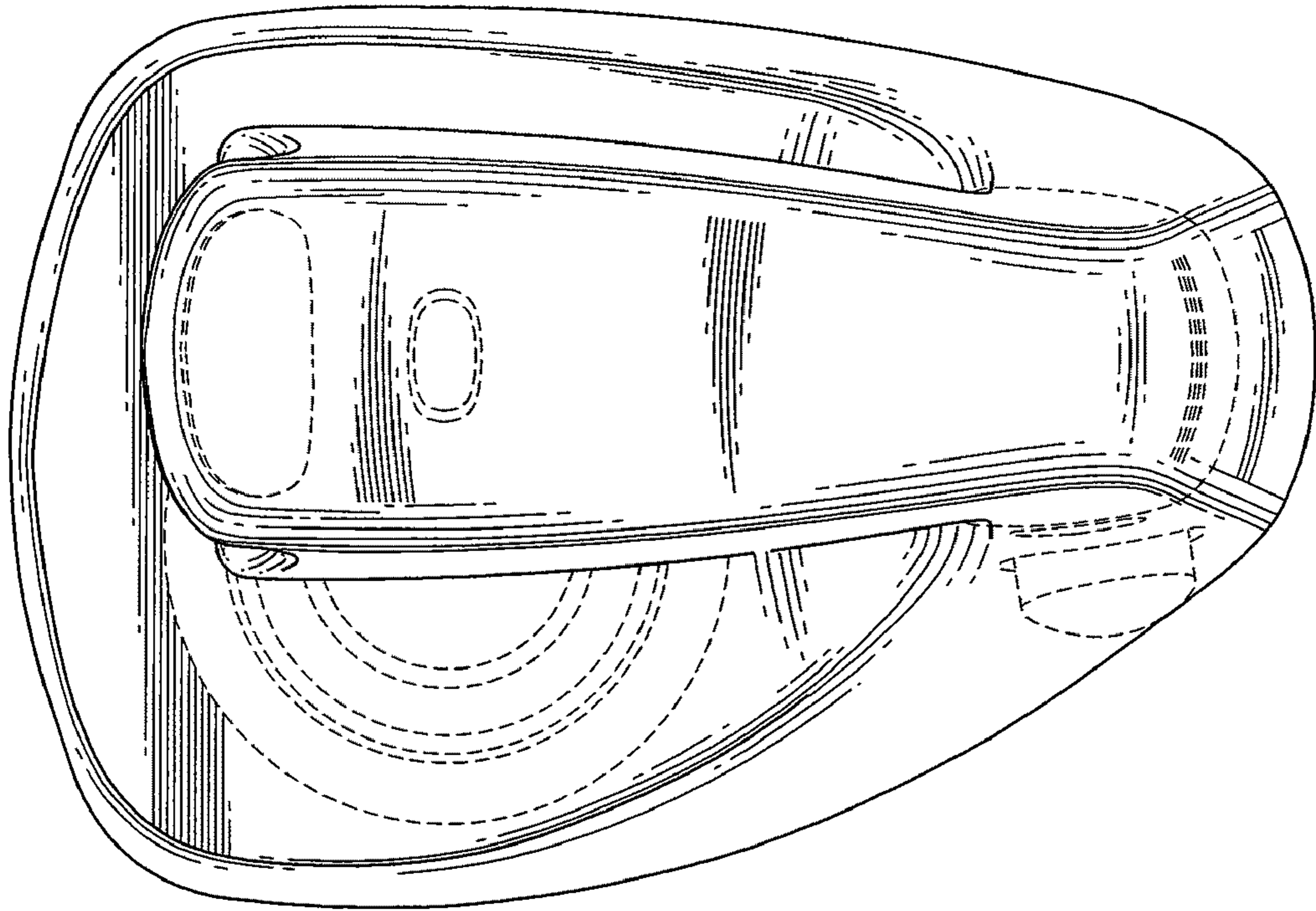


FIG. 7

