



US00D613548S

(12) **United States Design Patent**
Day et al.

(10) **Patent No.:** **US D613,548 S**
(45) **Date of Patent:** **** Apr. 13, 2010**

(54) **ICE SHAVING BLENDER**

(75) Inventors: **Adam Day**, Boynton Beach, FL (US);
Jason Harris, Delray Beach, FL (US);
Damien Vizcarra, Pasadena, CA (US)

(73) Assignee: **Sunbeam Products, Inc.**, Boca Raton,
FL (US)

(**) Term: **14 Years**

(21) Appl. No.: **29/345,707**

(22) Filed: **Oct. 21, 2009**

(51) **LOC (9) Cl.** **31-00**

(52) **U.S. Cl.** **D7/378**

(58) **Field of Classification Search** D7/317-318,
D7/356, 376-386, 412-415, 665; 99/348,
99/509-511; 241/30-37.5, 101.01-101.2,
241/166-169.1, 274-278.2, 285.1-285.3,
241/291, 292.1; 366/64-67, 98, 142, 192,
366/197-211, 203-207, 241-254, 279-292,
366/341-347; 476/58

See application file for complete search history.

(56) **References Cited**

U.S. PATENT DOCUMENTS

D439,797 S * 4/2001 Planca et al. D7/378
D453,443 S * 2/2002 Hoare et al. D7/378

D465,127 S * 11/2002 Lee D7/378
D534,394 S * 1/2007 Zhiwen et al. D7/378
D539,080 S * 3/2007 Zhiwen et al. D7/384
D578,340 S * 10/2008 Picozza et al. D7/378

* cited by examiner

Primary Examiner—Caron Veynar
Assistant Examiner—Ricky Pham

(74) *Attorney, Agent, or Firm*—Seth M. Blum

(57) **CLAIM**

The ornamental design for a ice shaving blender, as shown
and described.

DESCRIPTION

FIG. 1 is a front perspective view of the ice shaving blender
showing the new design;

FIG. 2 is a top plan view thereof;

FIG. 3 is a bottom plan view thereof;

FIG. 4 is a left side view thereof;

FIG. 5 is a right side view thereof;

FIG. 6 is a front elevation thereof; and,

FIG. 7 is a back elevation thereof.

The broken lines in the drawings are for illustrative purposes
only and form no part of the claimed design.

1 Claim, 4 Drawing Sheets

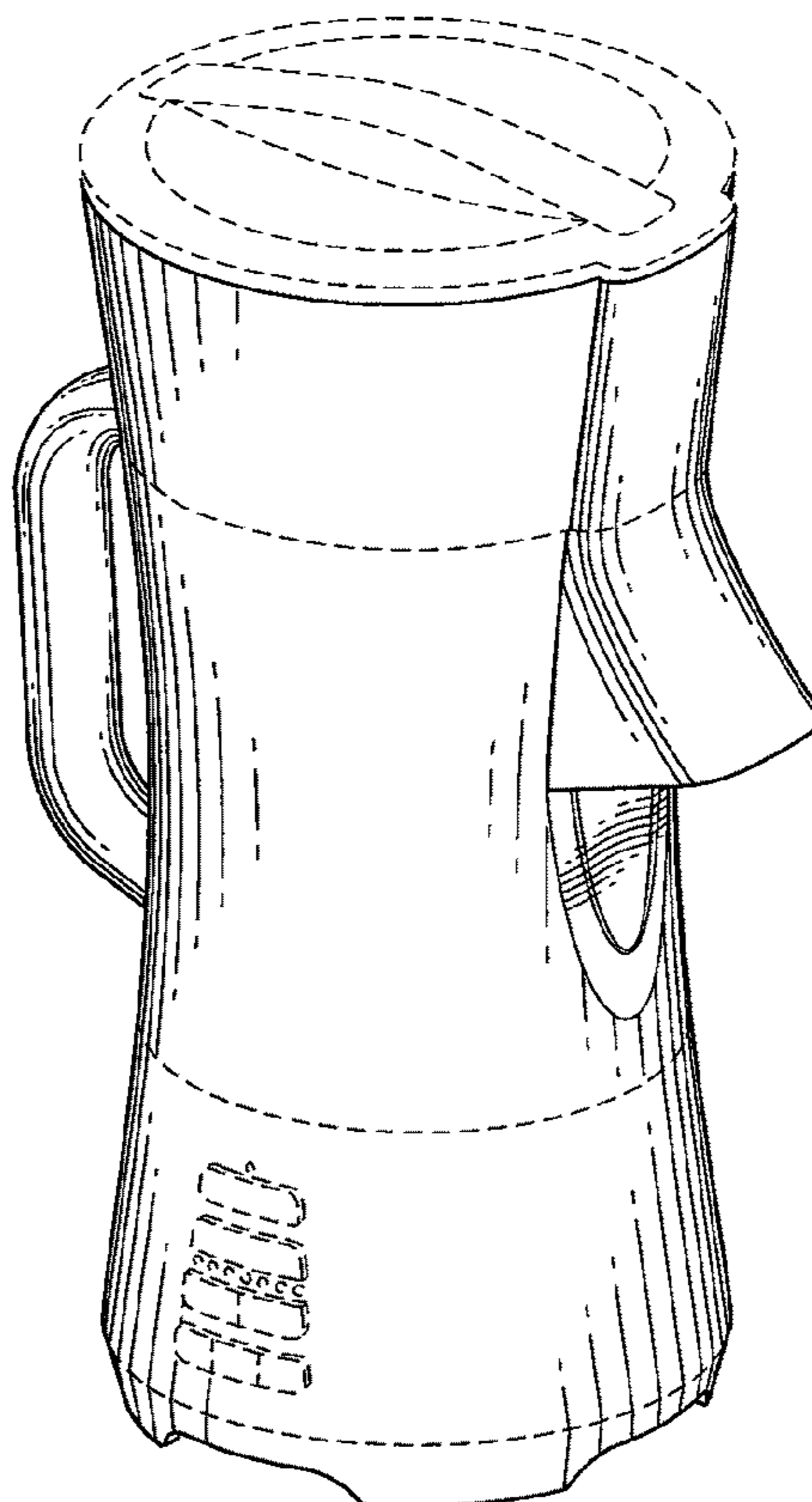


FIG. 1

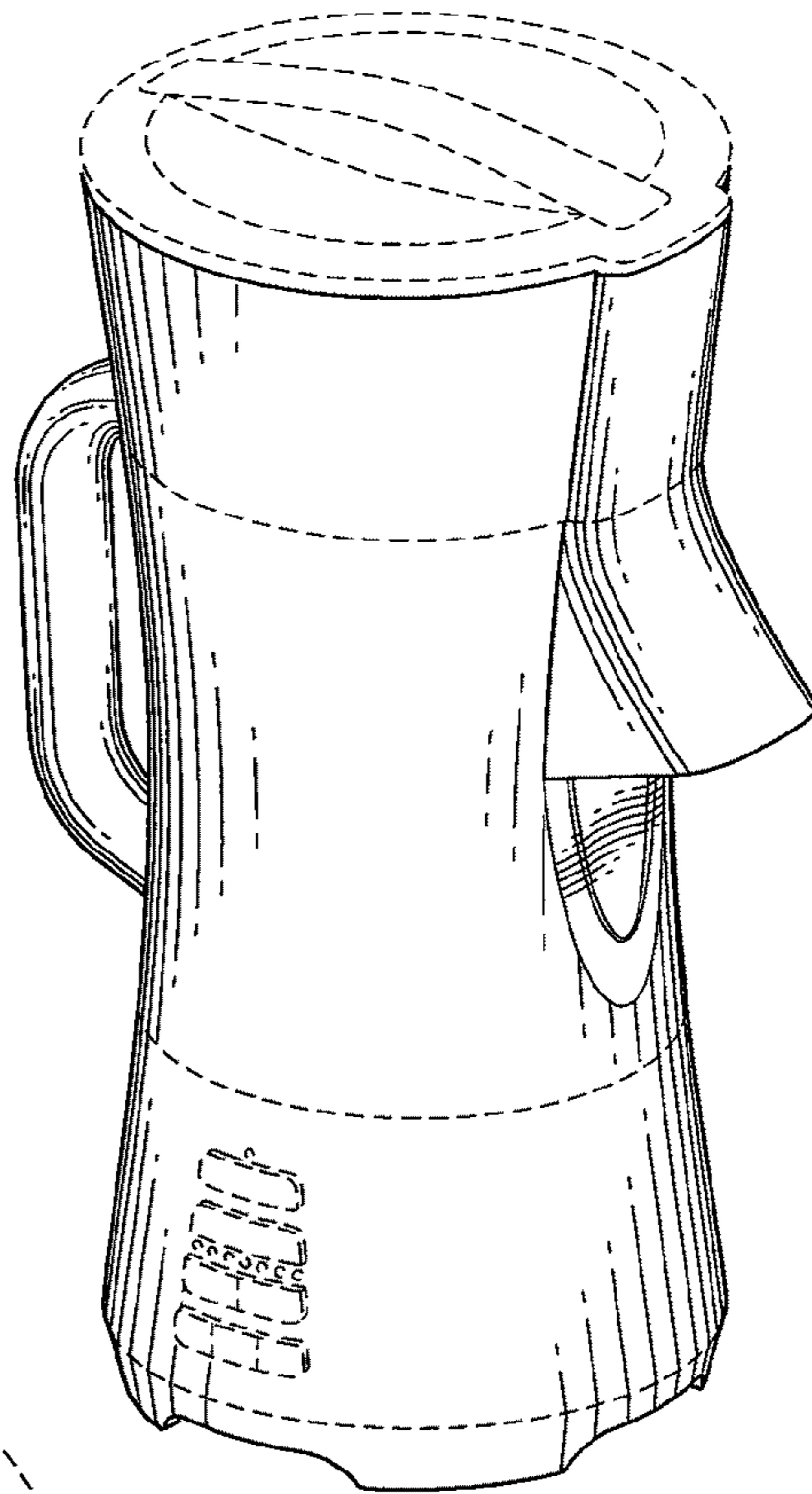


FIG. 2

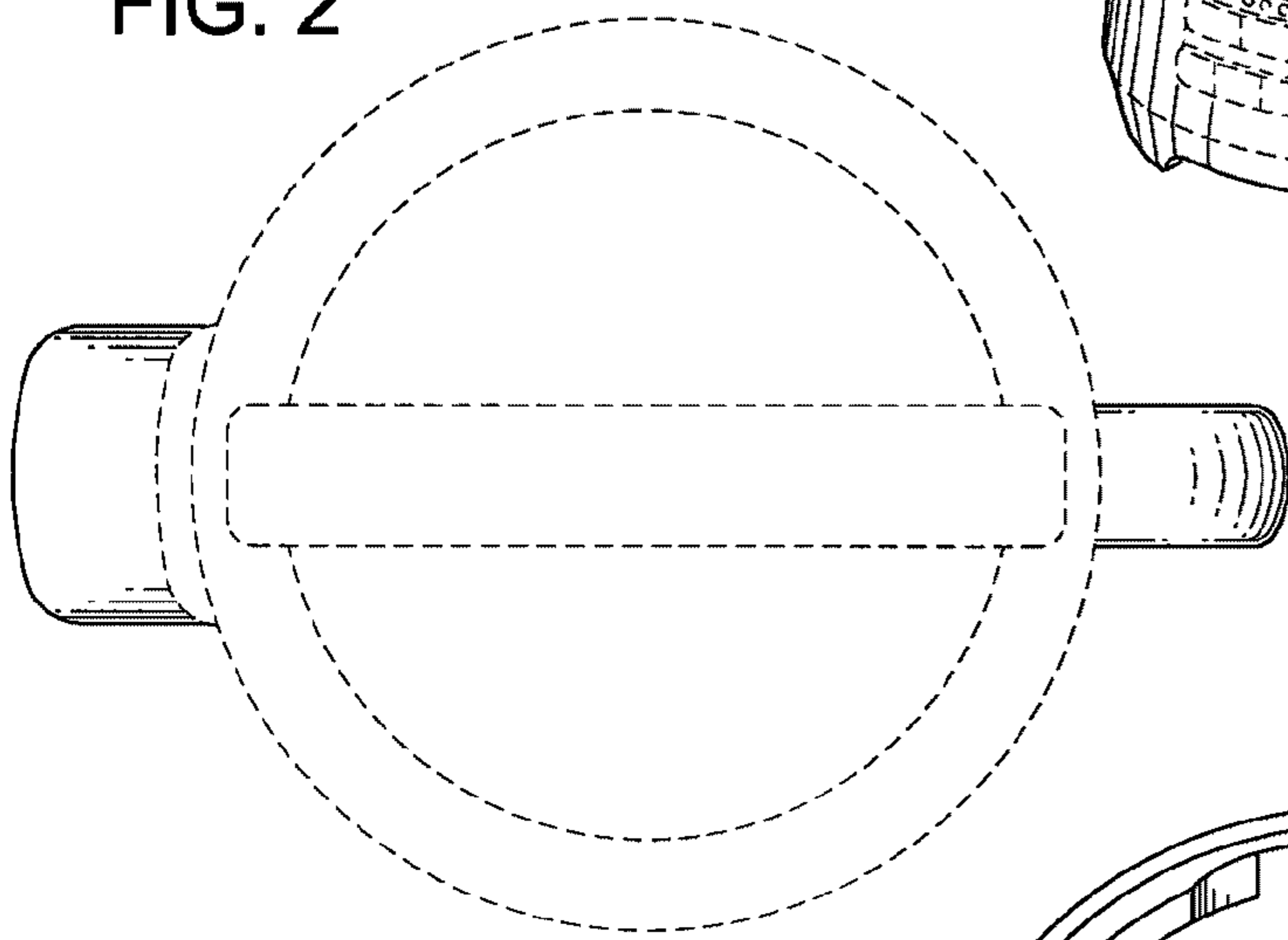


FIG. 3

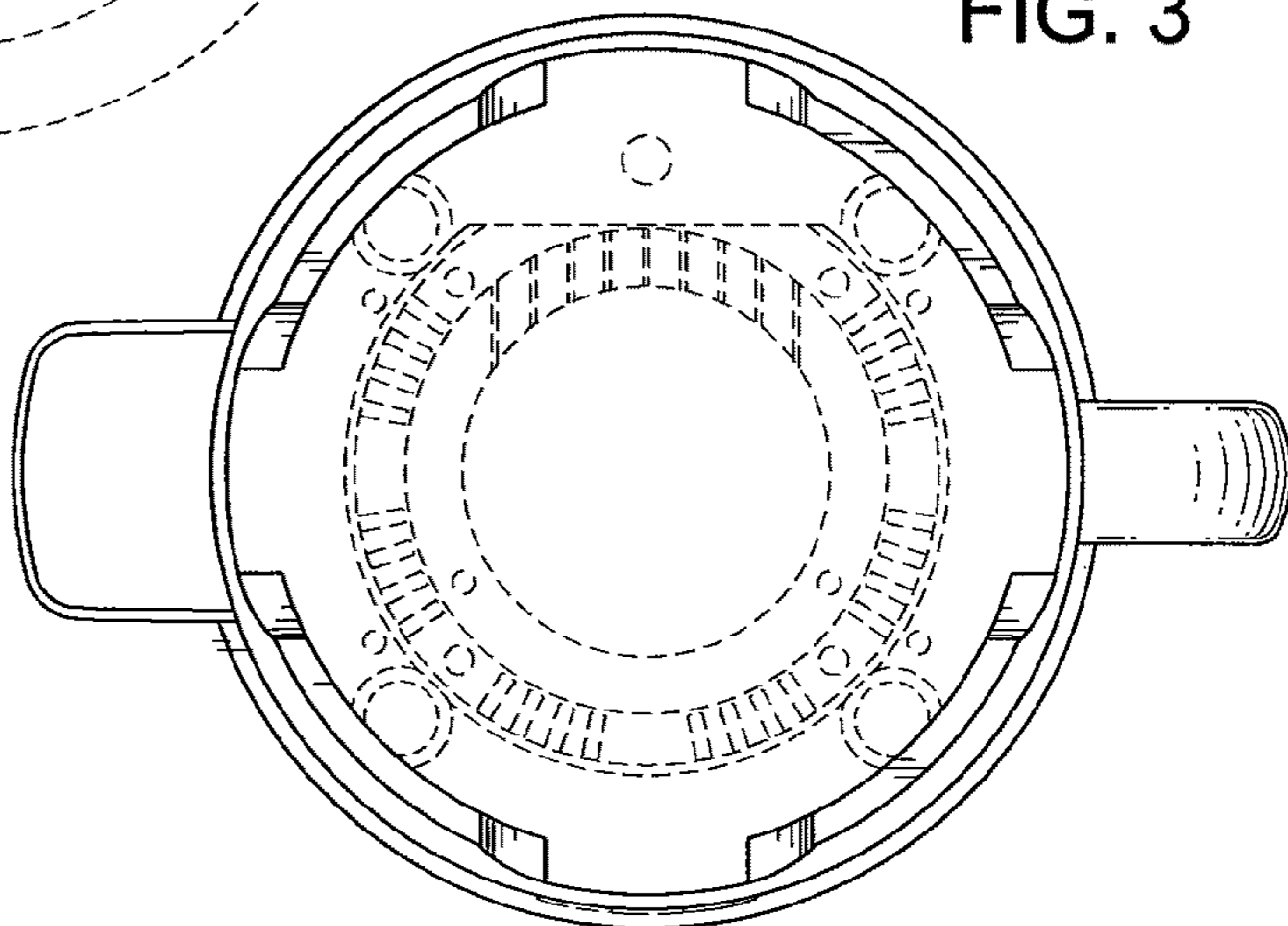


FIG. 4

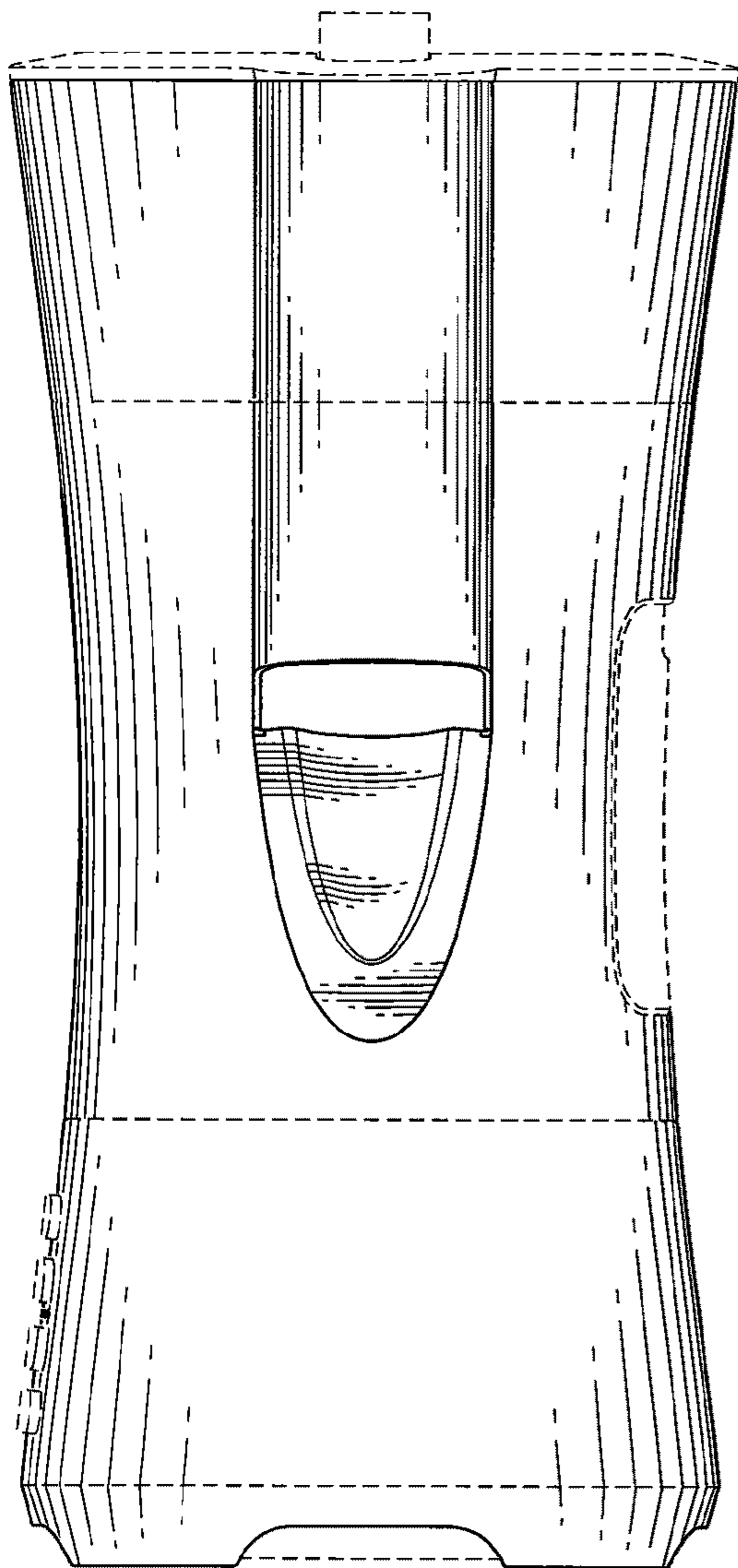


FIG. 5

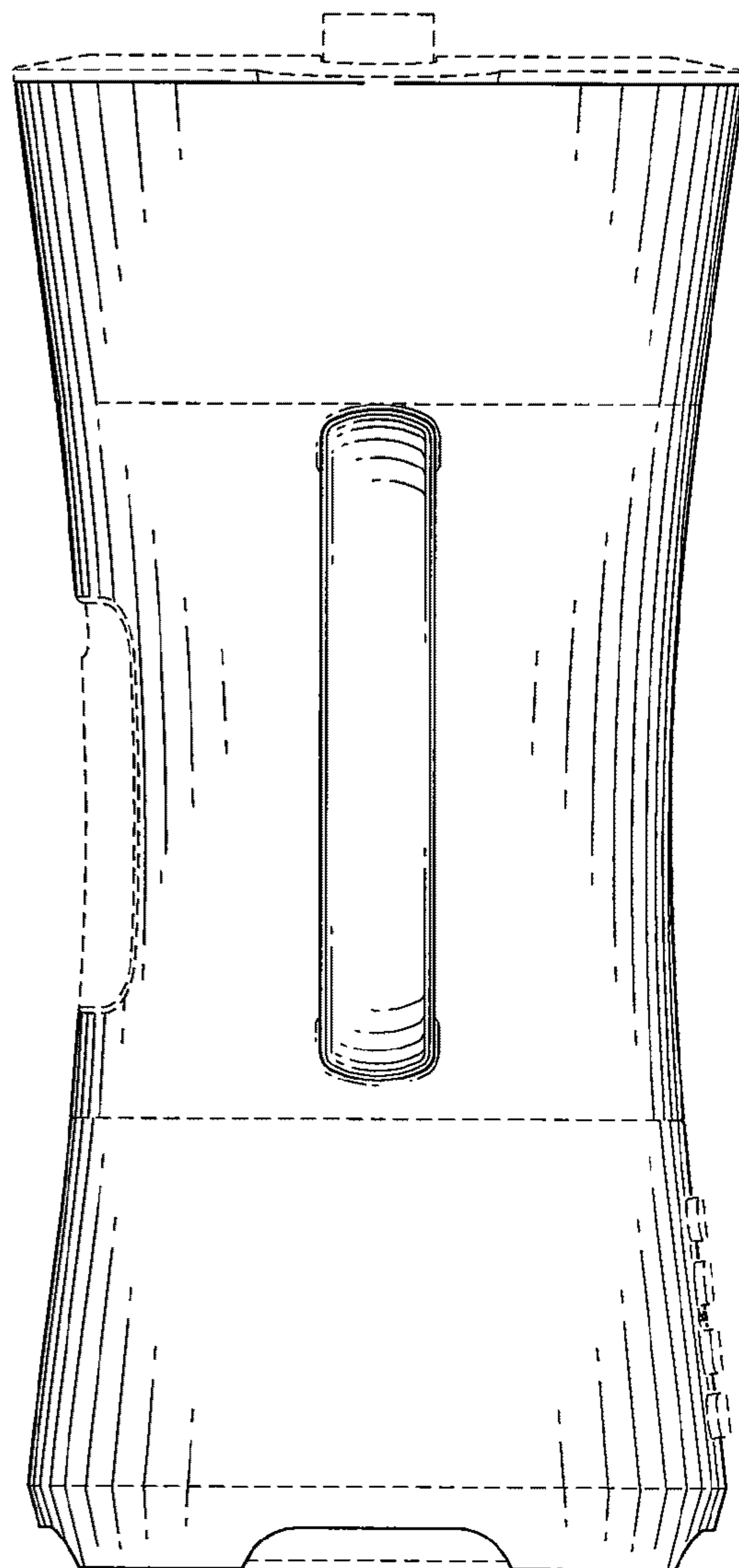


FIG. 6

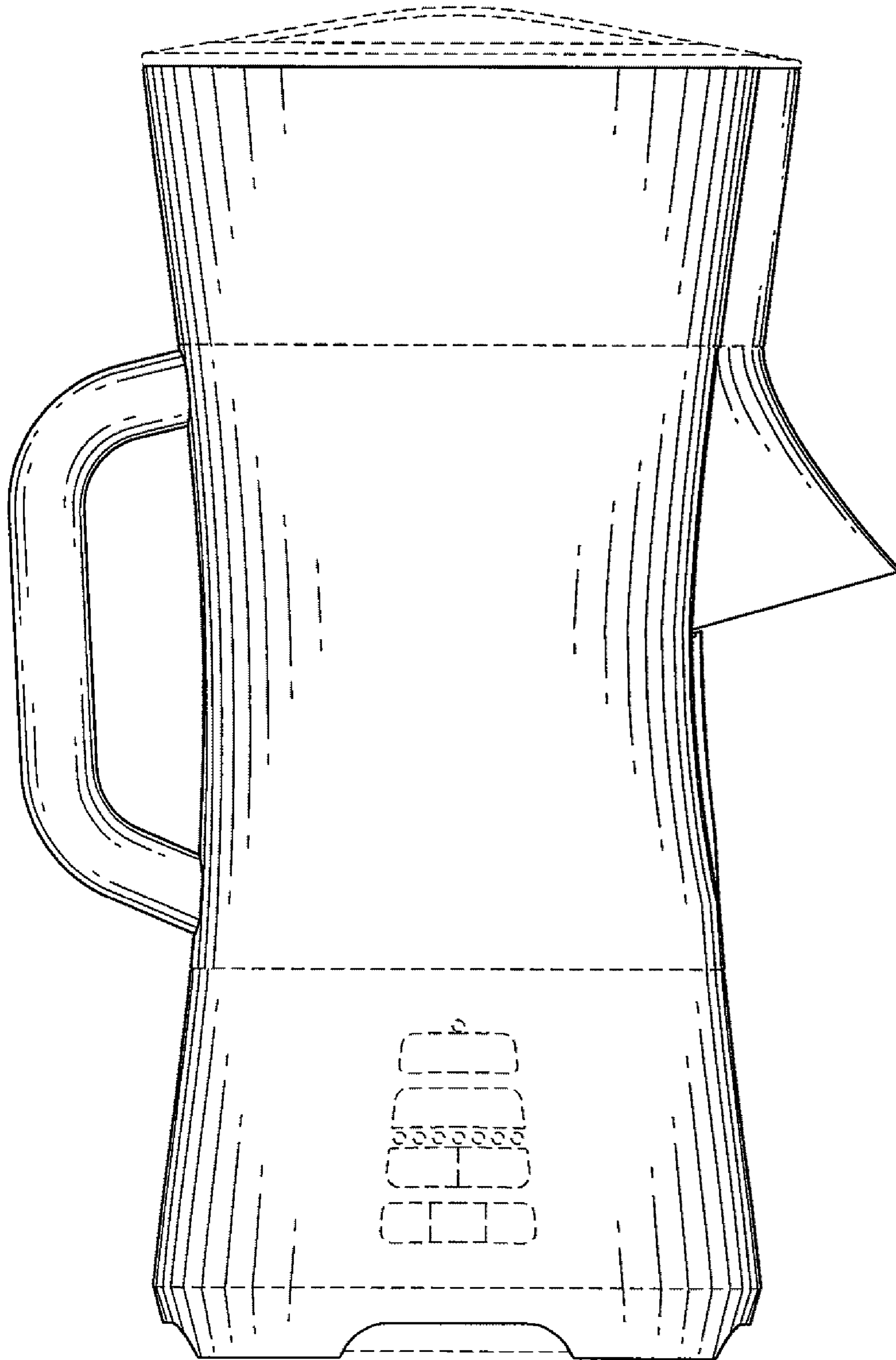


FIG. 7

