



US00D613547S

(12) **United States Design Patent**
Day et al.

(10) **Patent No.:** **US D613,547 S**
(45) **Date of Patent:** **** Apr. 13, 2010**

(54) **BLENDER**

(75) Inventors: **Adam Day**, Boynton Beach, FL (US);
Jason Harris, Delray Beach, FL (US);
Damien Vizcarra, Pasadena, CA (US)

(73) Assignee: **Sunbeam Products, Inc.**, Boca Raton,
FL (US)

(**) Term: **14 Years**

(21) Appl. No.: **29/345,426**

(22) Filed: **Oct. 15, 2009**

(51) **LOC (9) Cl.** **31-00**

(52) **U.S. Cl.** **D7/378**

(58) **Field of Classification Search** D7/317-318,
D7/356, 376-386, 412-415, 665; 99/348,
99/509-511; 241/30-37.5, 101.01-101.2,
241/166-169.1, 274-278.2, 285.1-285.3,
241/291, 292.1; 366/64-67, 98, 142, 192,
366/197-211, 241-254, 279-292, 341-347;
476/58

See application file for complete search history.

(56) **References Cited**

U.S. PATENT DOCUMENTS

D199,888 S * 12/1964 Dewenter D7/378
D204,924 S * 5/1966 Di Sesa D7/378

D394,986 S * 6/1998 Lallemand D7/378
D466,362 S * 12/2002 Moore D7/378
D466,759 S * 12/2002 Moore D7/378
D507,149 S * 7/2005 Ball et al. D7/386
D543,072 S * 5/2007 Ting et al. D7/378
D553,425 S * 10/2007 Steiner et al. D7/378

* cited by examiner

Primary Examiner—Caron Veynar

Assistant Examiner—Ricky Pham

(74) *Attorney, Agent, or Firm*—Seth M. Blum

(57) **CLAIM**

The ornamental design for a blender, as shown and described.

DESCRIPTION

FIG. 1 is a front perspective view of the blender showing the new design;

FIG. 2 is a right side view thereof;

FIG. 3 is a left side view thereof;

FIG. 4 is a back elevation thereof;

FIG. 5 is a front elevation thereof;

FIG. 6 is a top plan view thereof; and,

FIG. 7 is a bottom plan view thereof.

The broken lines in the drawings are for illustrative purposes only and form no part of the claimed design.

1 Claim, 4 Drawing Sheets

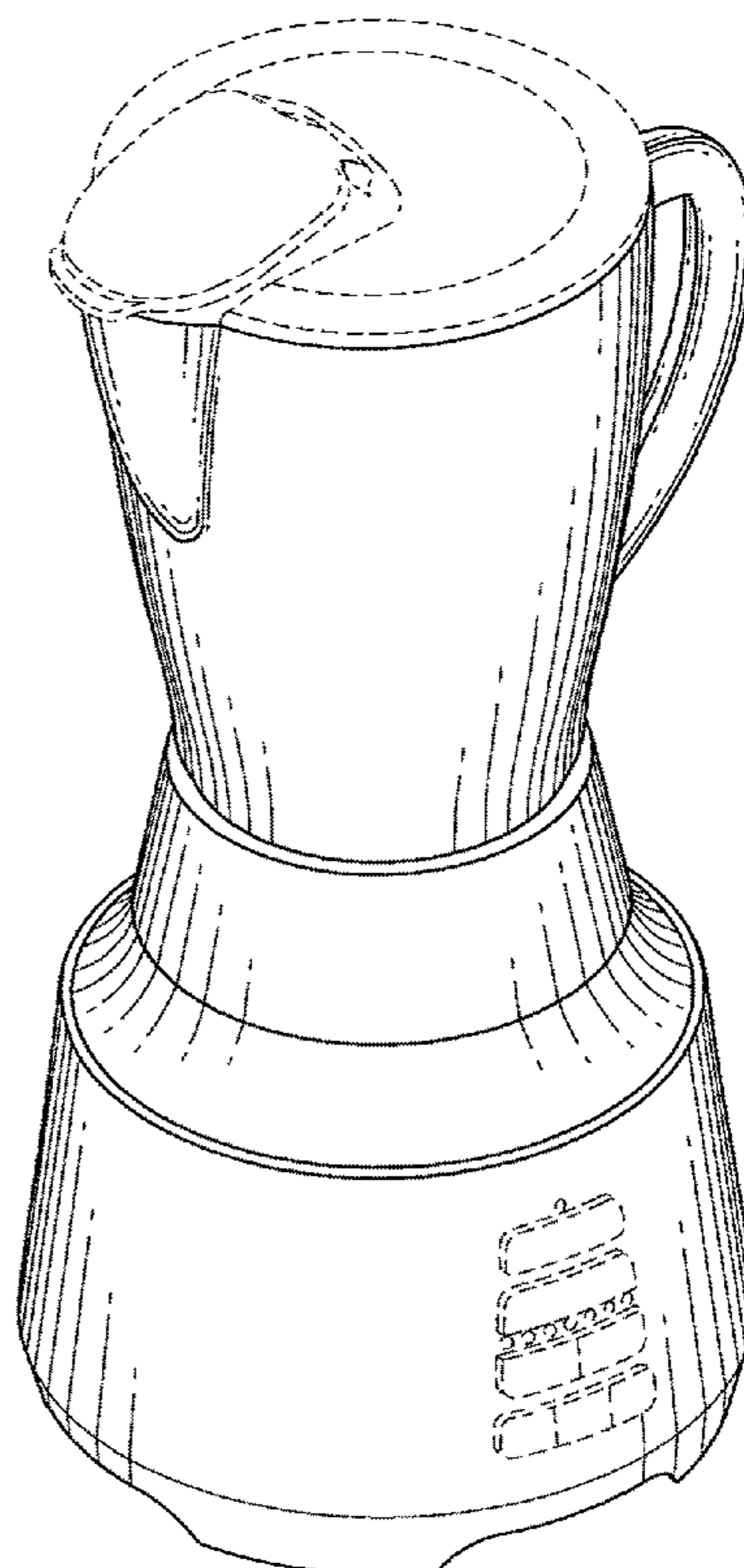


FIG. 1

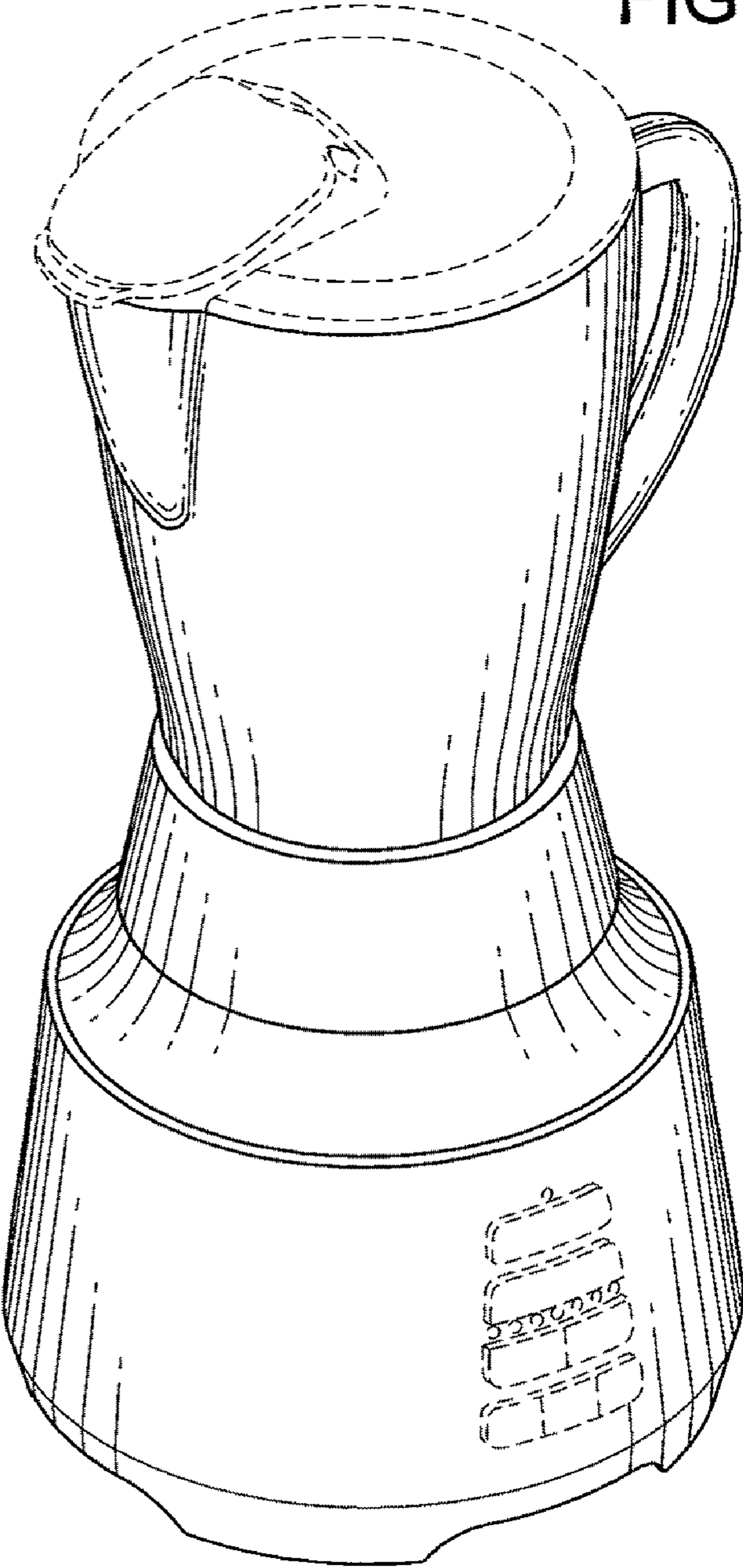


FIG. 2

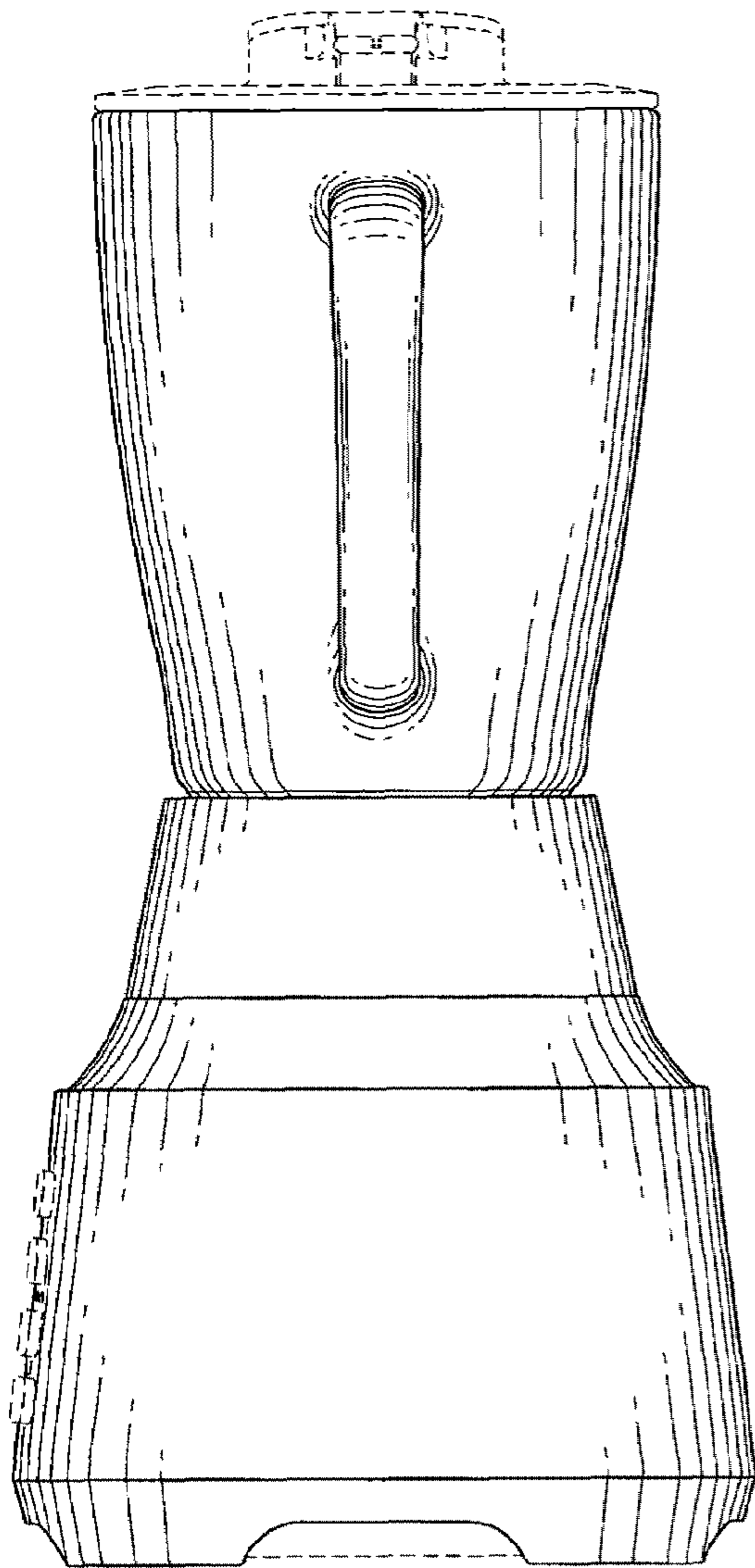


FIG. 3

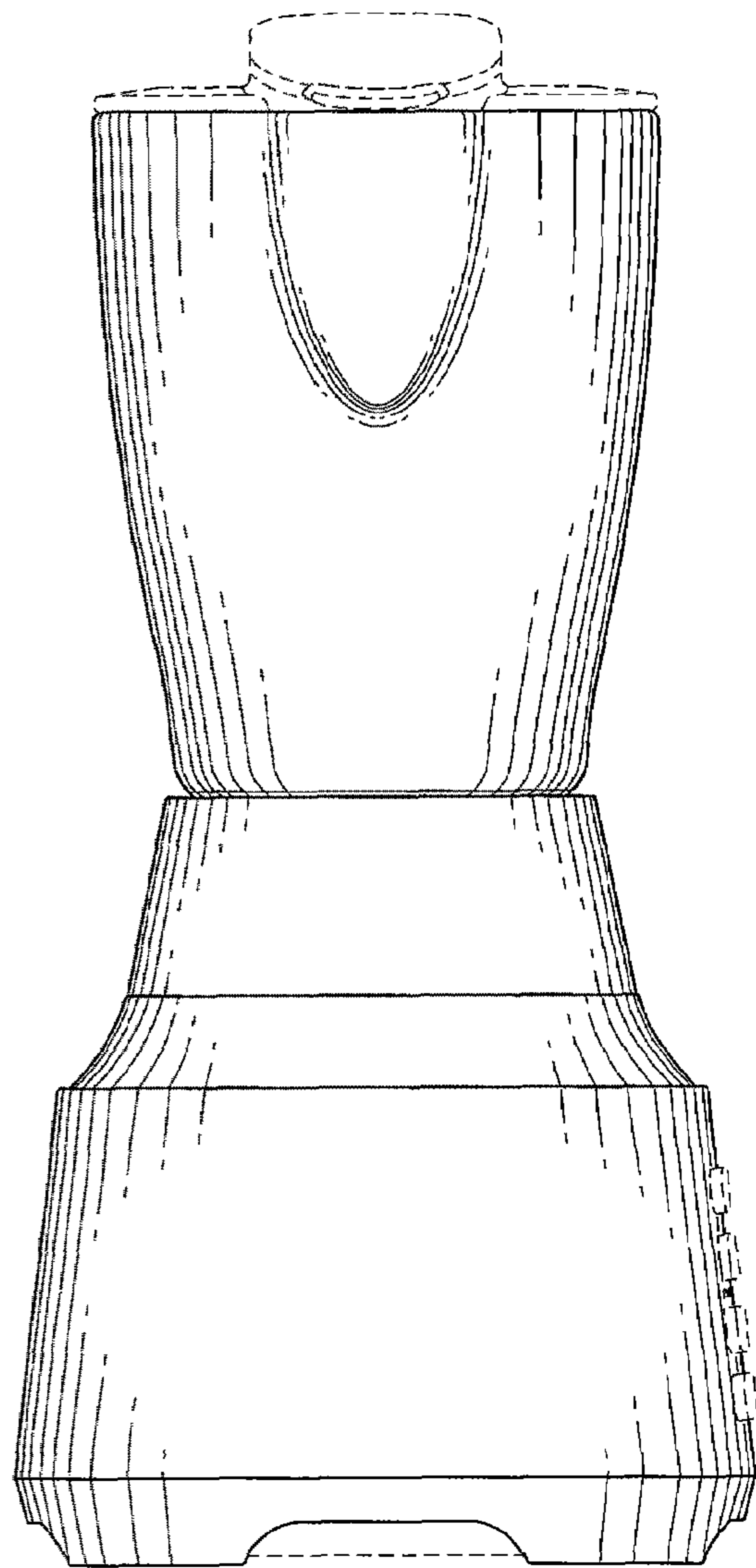


FIG. 4

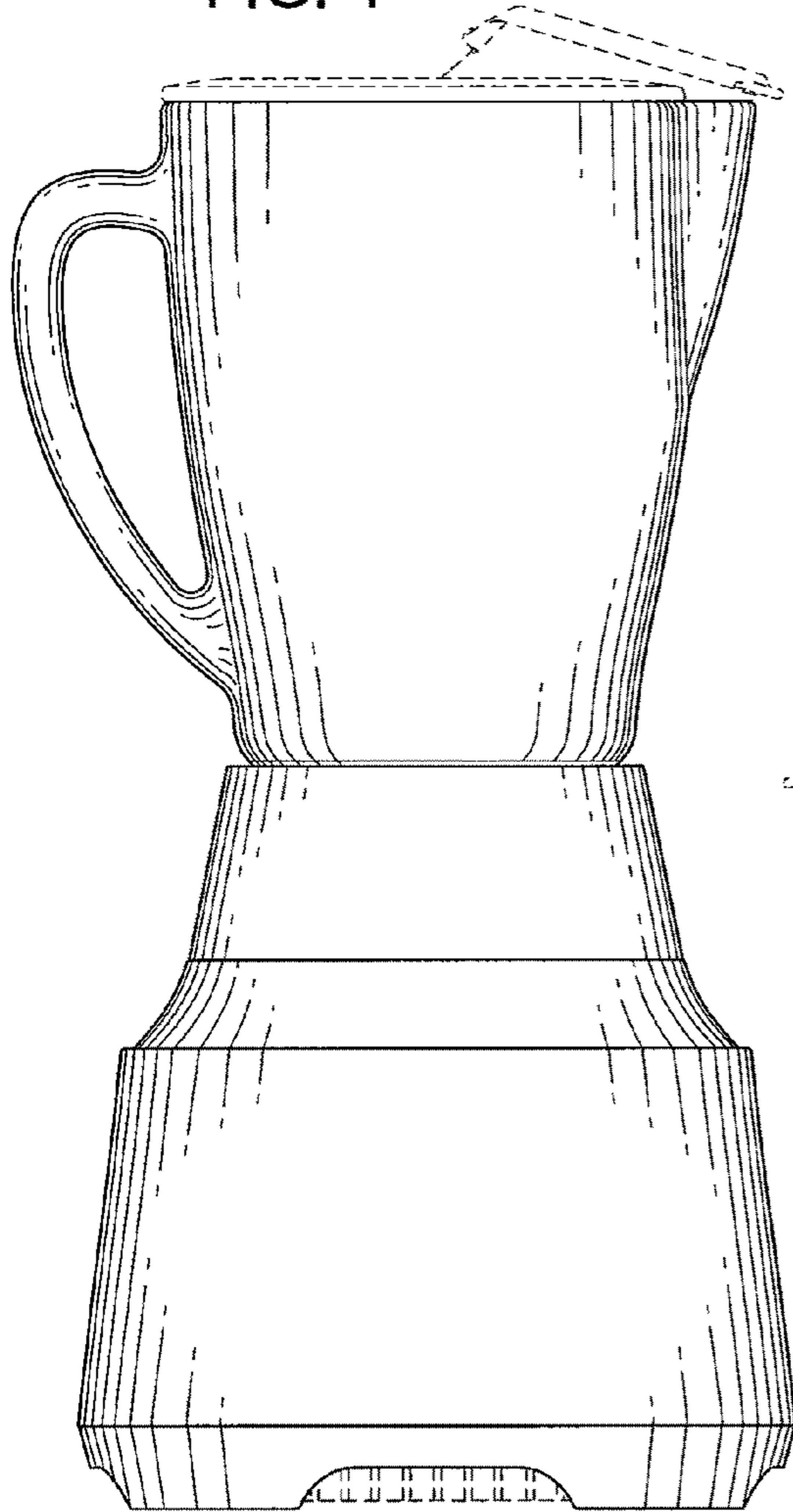


FIG. 5

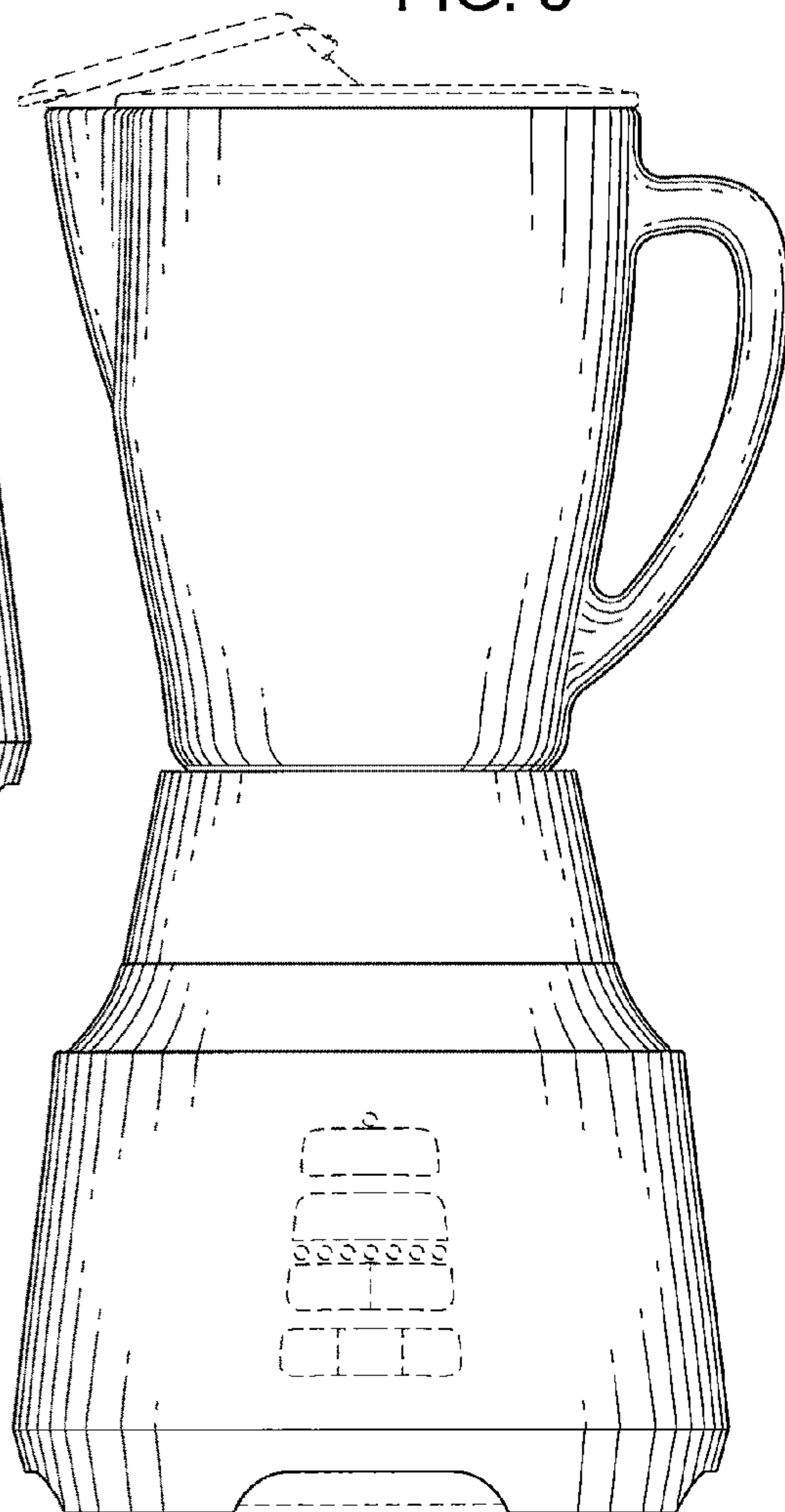


FIG. 6

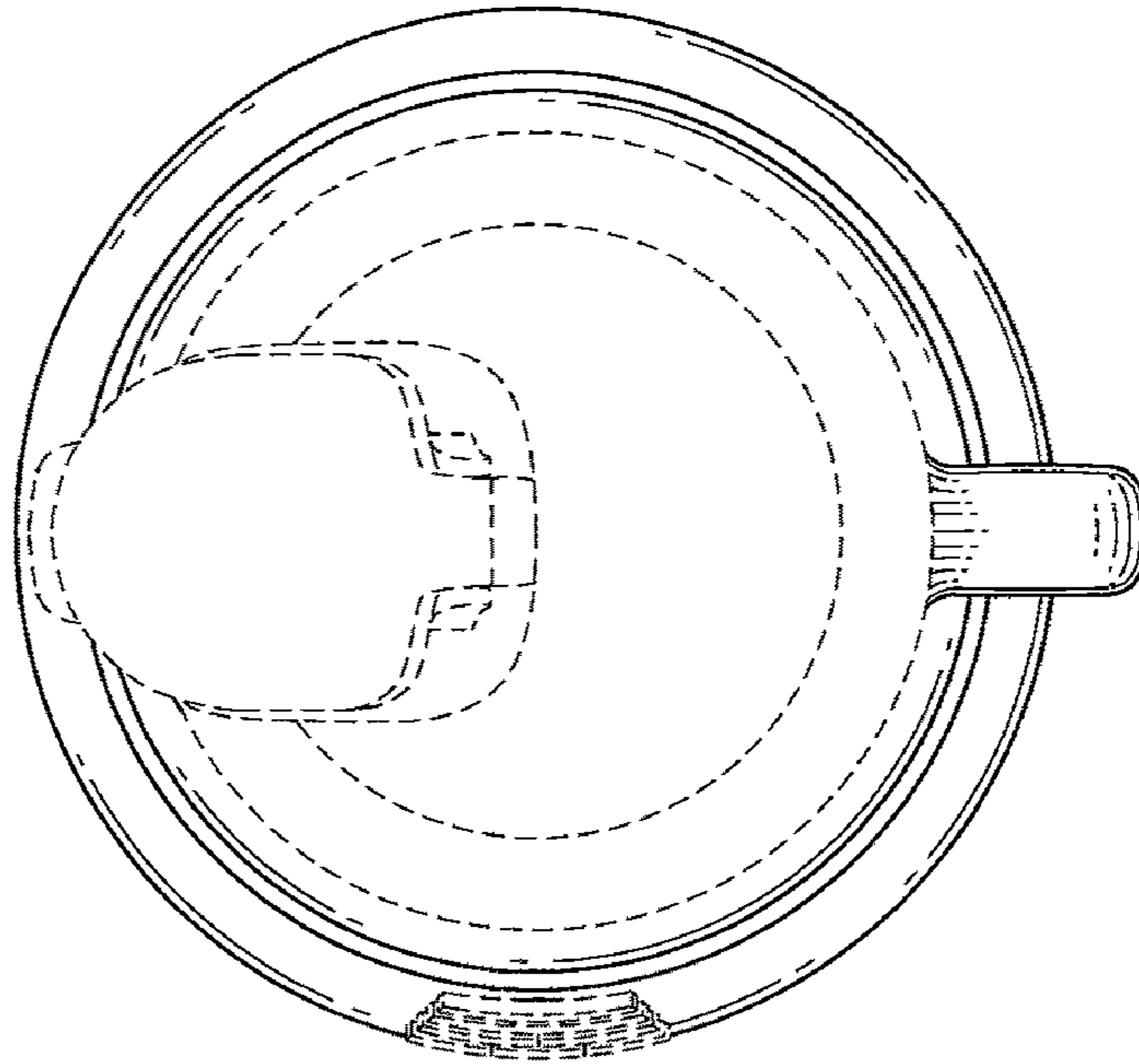


FIG. 7

