



US00D613546S

(12) **United States Design Patent**
Picozza et al.

(10) **Patent No.:** **US D613,546 S**
(45) **Date of Patent:** **** Apr. 13, 2010**

(54) **TOASTER**

(75) Inventors: **Augusto Picozza**, Boca Raton, FL (US);
Douglas Goodner, Weston, FL (US);
Brooks Rorke, Guilford, CT (US)

(73) Assignee: **Sunbeam Products, Inc.**, Boca Raton,
FL (US)

(**) Term: **14 Years**

(21) Appl. No.: **29/343,985**

(22) Filed: **Sep. 22, 2009**

(51) **LOC (9) Cl.** **07-02**

(52) **U.S. Cl.** **D7/330**

(58) **Field of Classification Search** D7/323,
D7/328-333, 340-341, 346, 354-365, 367,
D7/385, 390, 402, 405-411; 99/326-327,
99/329 R, 329 RT, 331-332, 357, 375, 385-386,
99/392; 219/214, 388, 392, 405, 443.1, 450.1,
219/492, 532; 426/233, 523

See application file for complete search history.

(56) **References Cited**

U.S. PATENT DOCUMENTS

6,058,829 A * 5/2000 Endres 99/329 RT
D450,975 S * 11/2001 Aeschbacher D7/330
D474,368 S * 5/2003 Averty D7/330
6,571,687 B1 * 6/2003 Wu et al. 99/327
6,595,111 B1 * 7/2003 Chiu et al. 99/327

D502,629 S * 3/2005 Guyett et al. D7/330
D505,585 S * 5/2005 MacWilliam D7/330
D509,702 S * 9/2005 Picozza et al. D7/330
D527,568 S * 9/2006 Page et al. D7/330
D551,488 S * 9/2007 Ting et al. D7/330

* cited by examiner

Primary Examiner—Caron Veynar

Assistant Examiner—Ricky Pham

(74) *Attorney, Agent, or Firm*—Seth M. Blum

(57) **CLAIM**

The ornamental design for a toaster, as shown and described.

DESCRIPTION

FIG. 1 is a front left perspective view of the toaster showing the new design;

FIG. 2 is a back perspective view thereof;

FIG. 3 is a front elevation view thereof;

FIG. 4 is a back elevation thereof;

FIG. 5 is a left side elevation thereof;

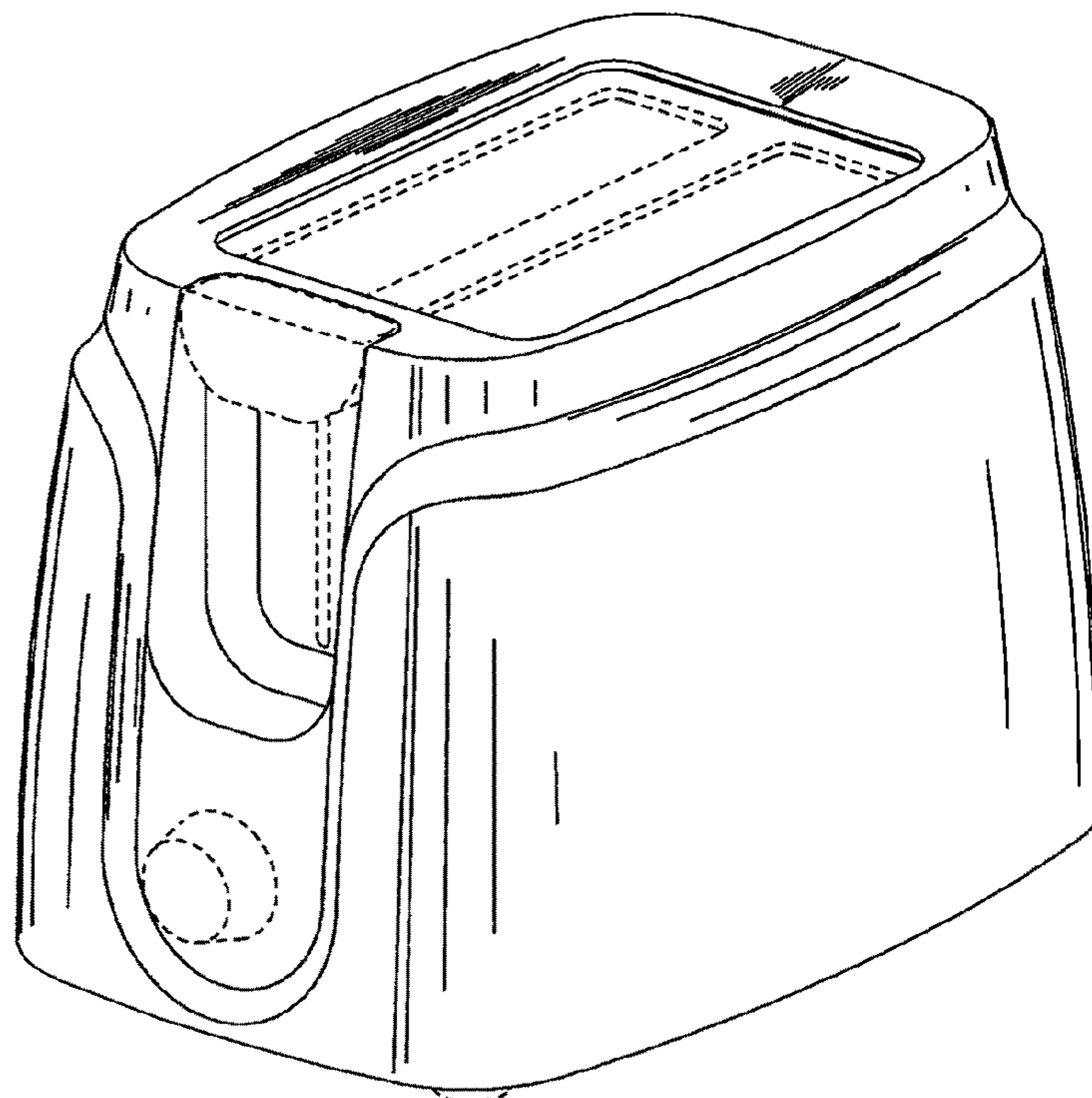
FIG. 6 is a right side elevation thereof;

FIG. 7 is a top plan view thereof; and,

FIG. 8 is a bottom plan view thereof.

The broken lines in the drawings are for illustrative purposes only and form no part of the claimed design.

1 Claim, 8 Drawing Sheets



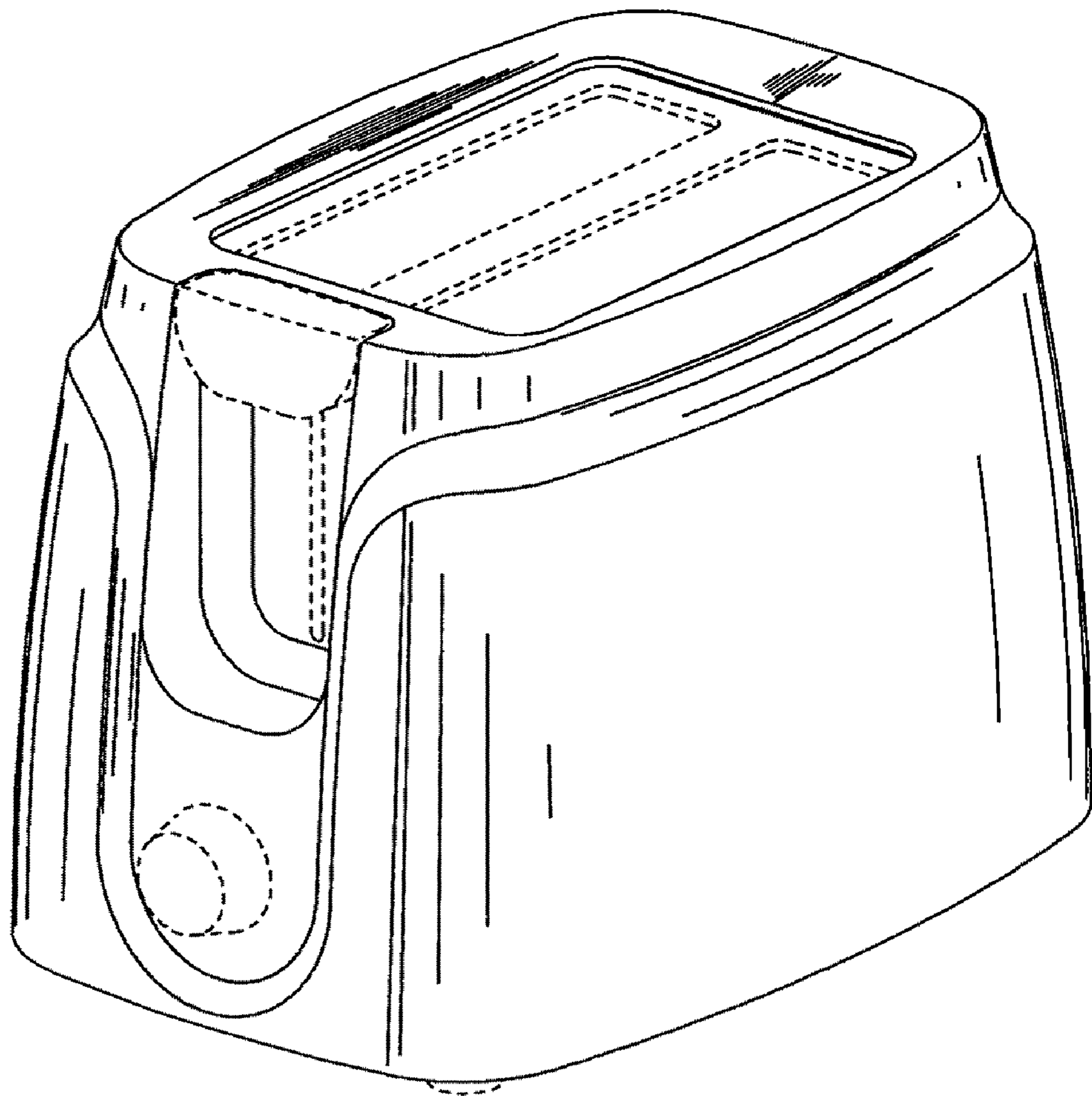


FIG 1

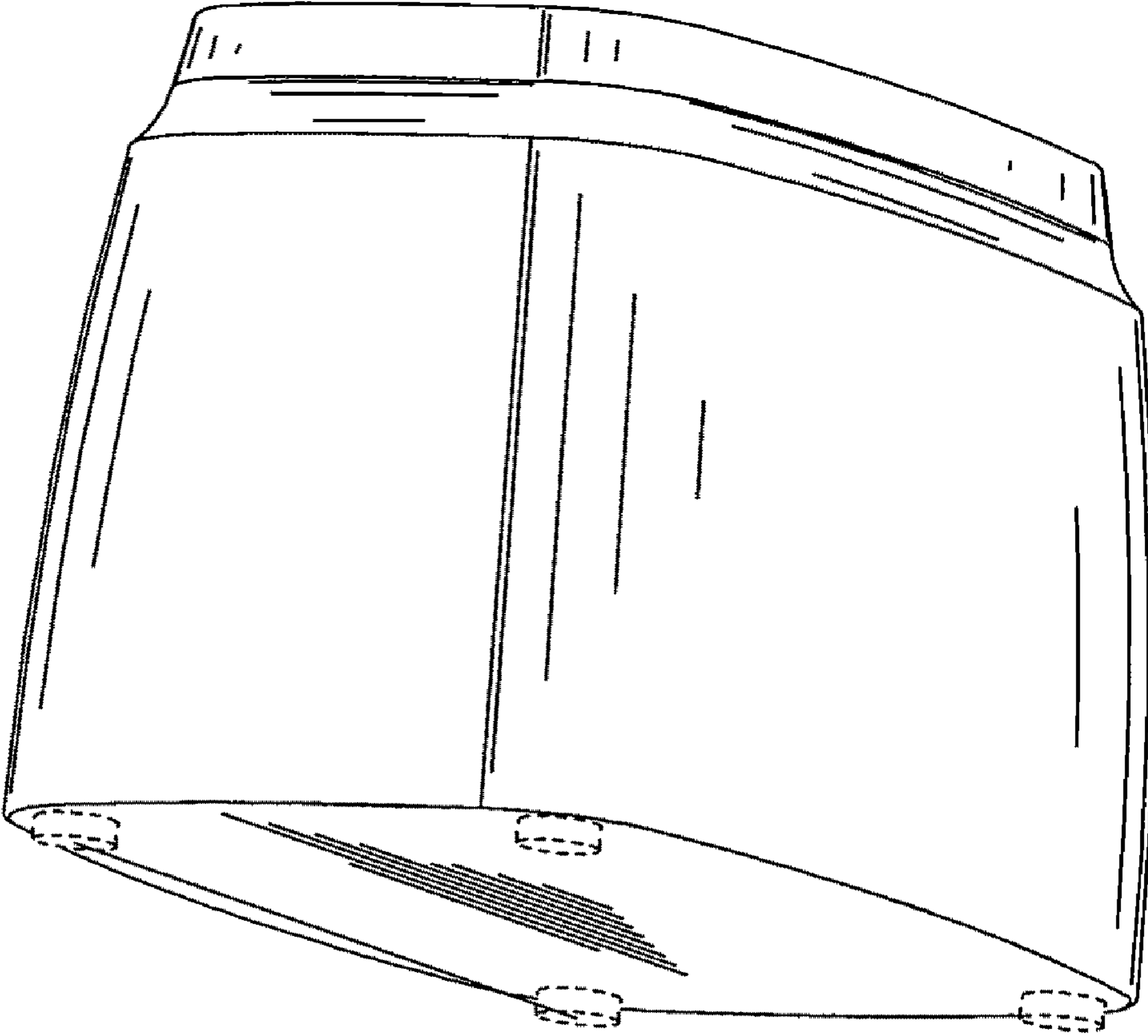


FIG 2

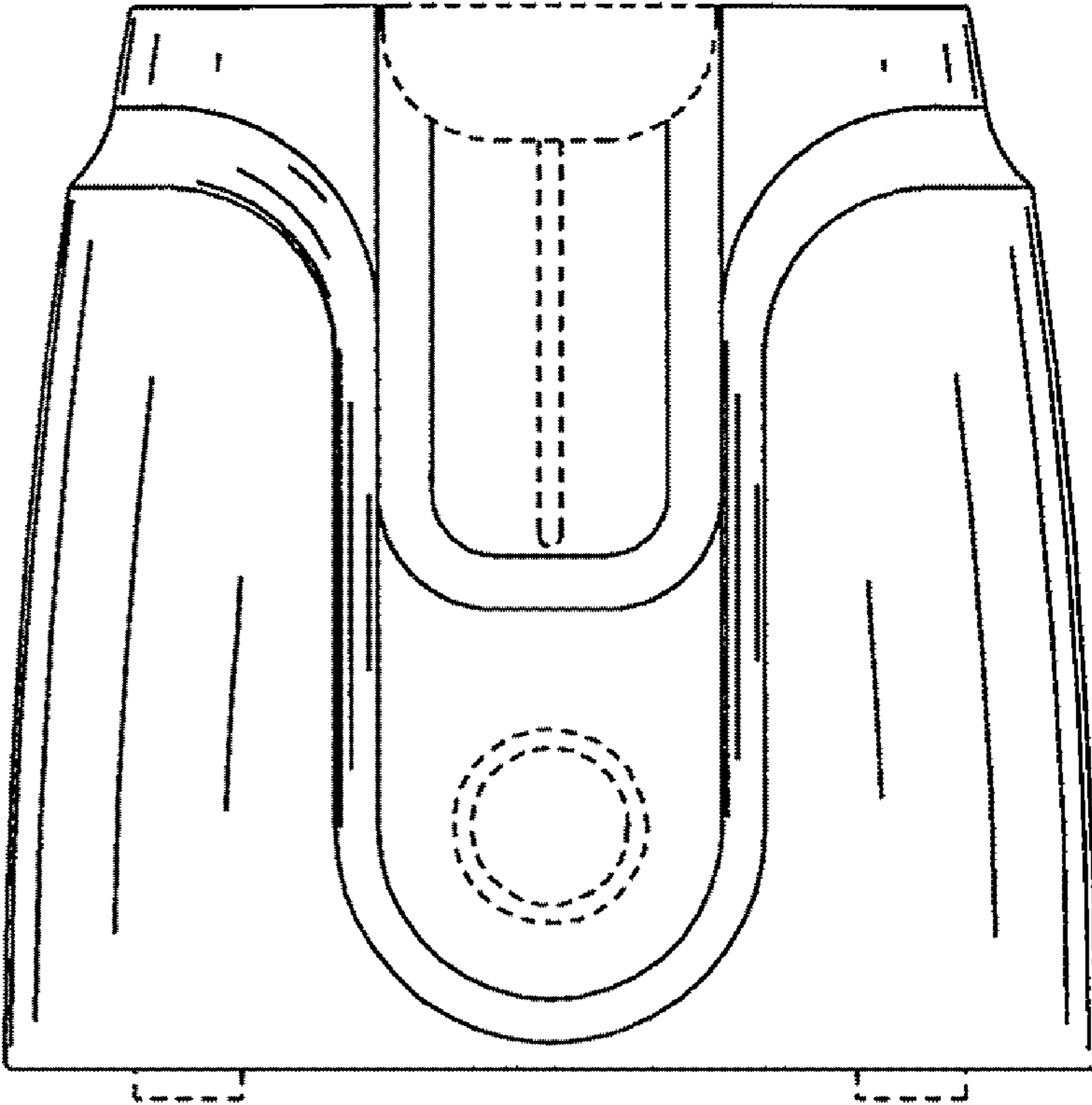


FIG 3

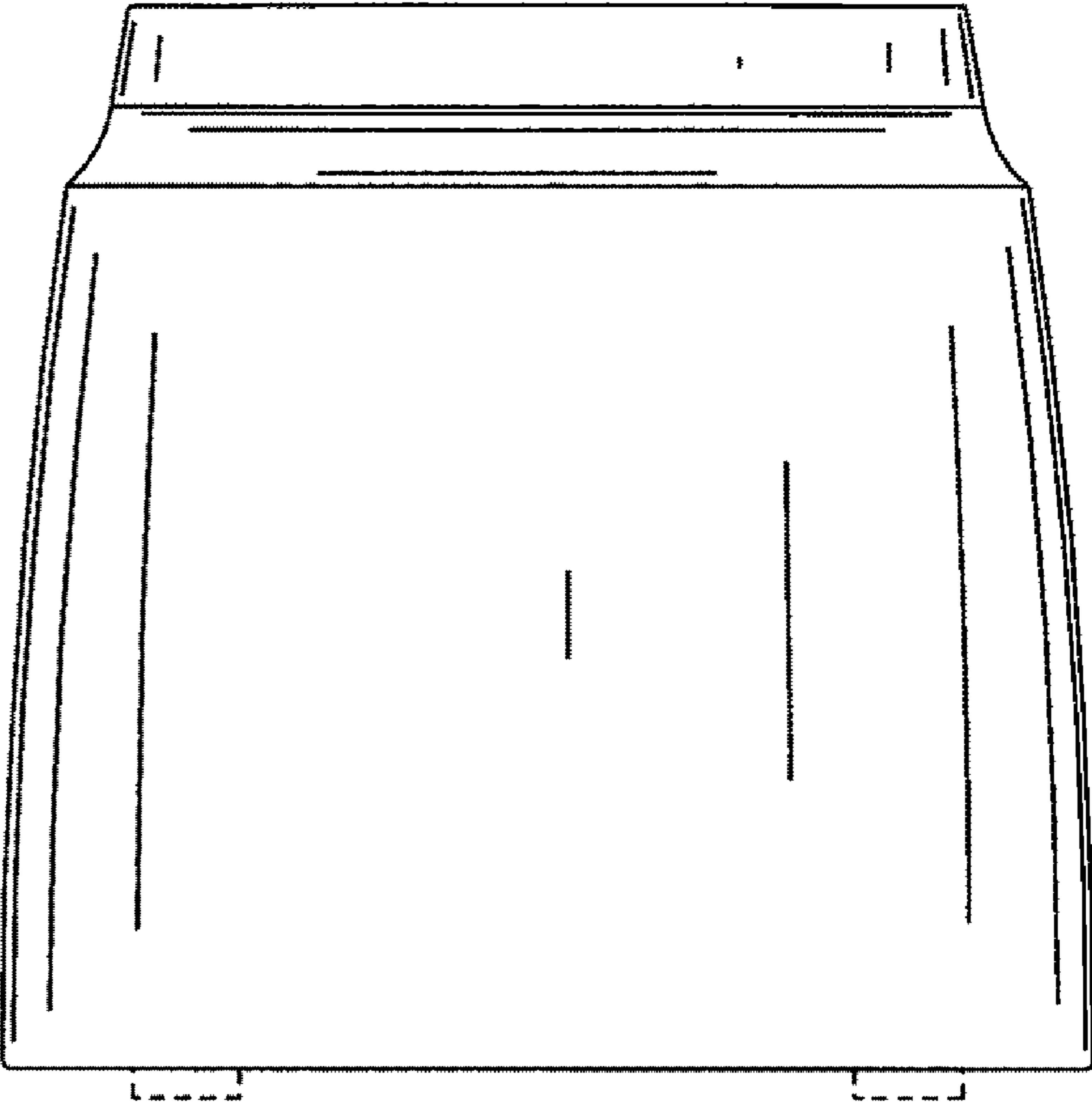


FIG 4

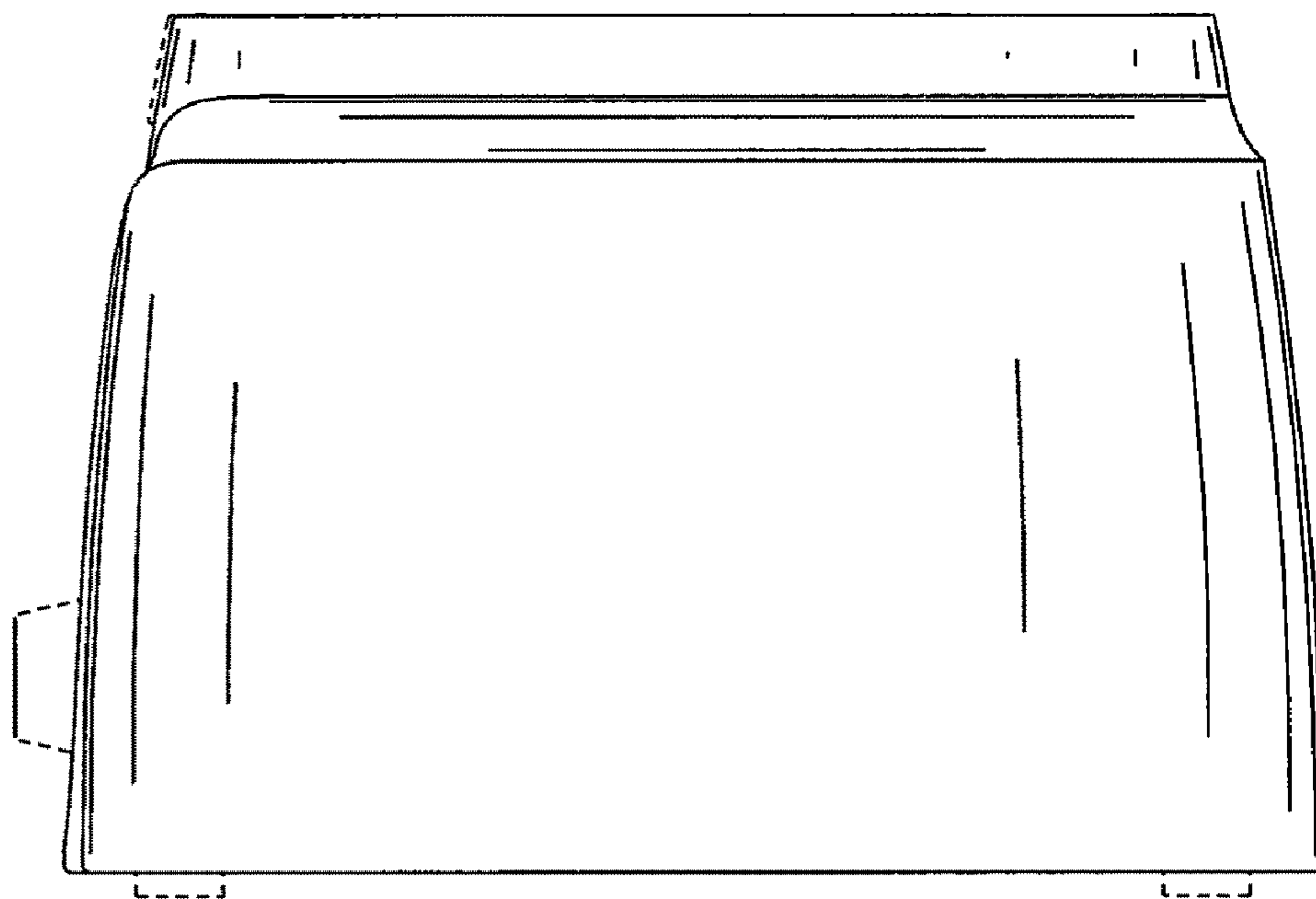


FIG 5

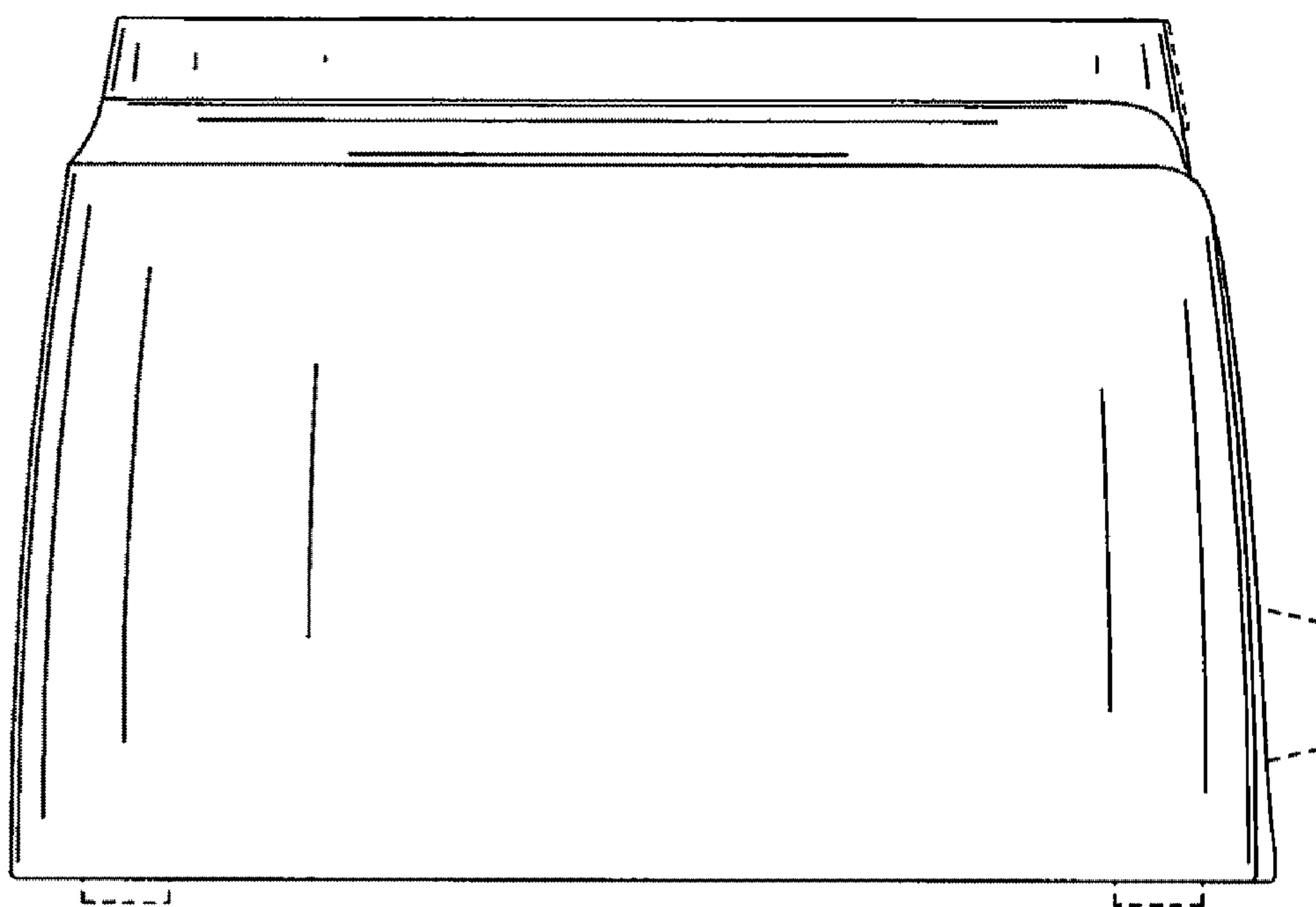


FIG 6

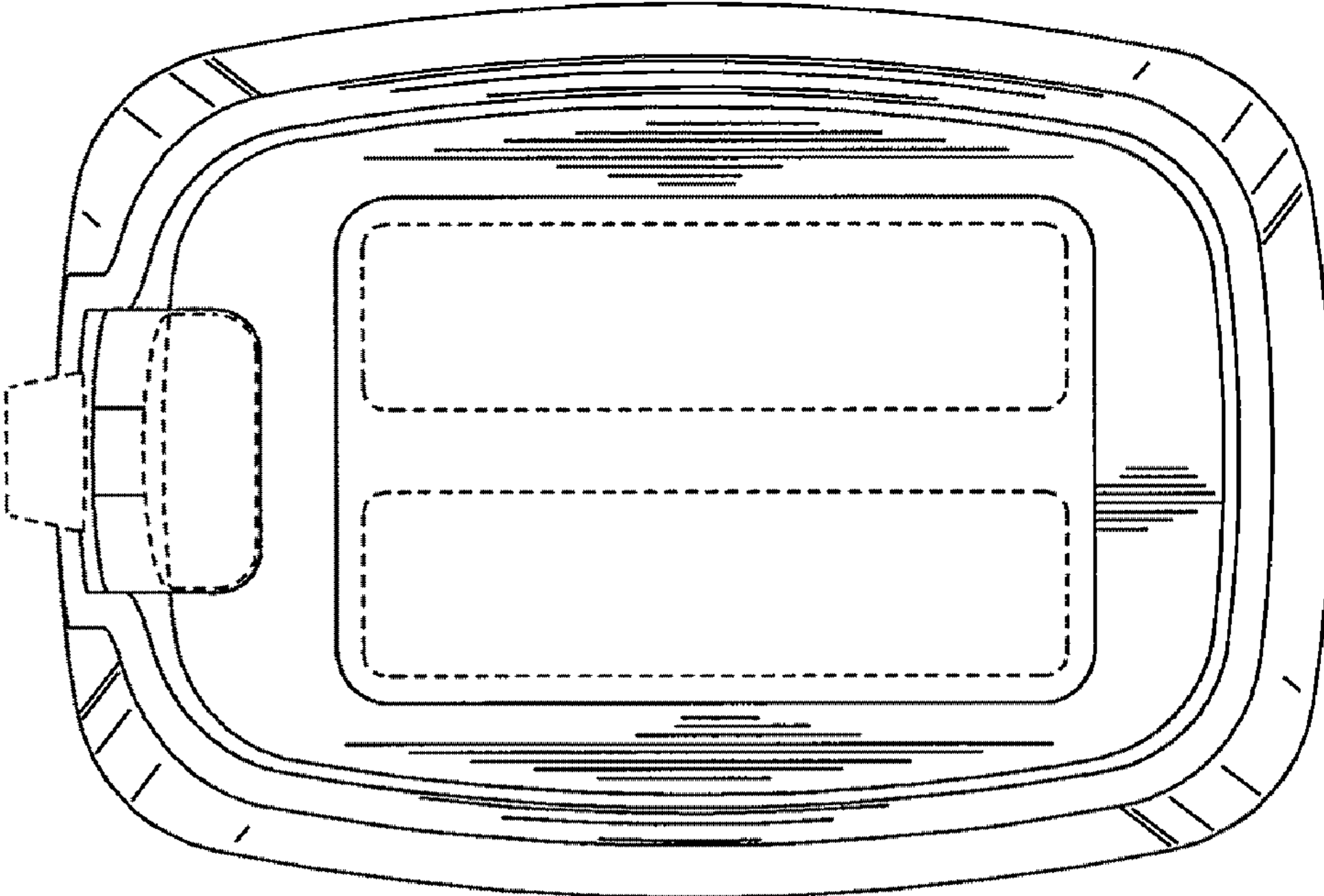


FIG 7

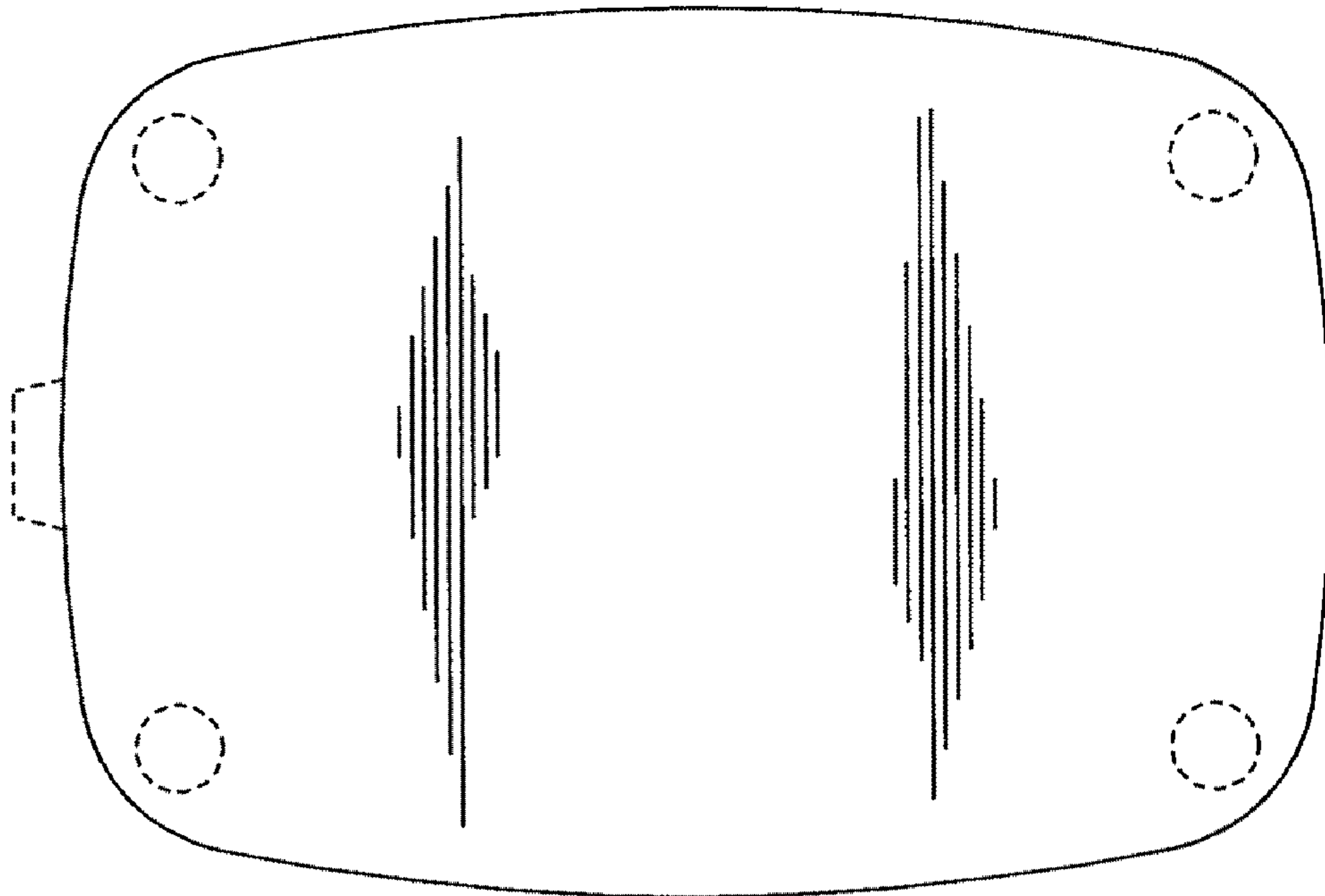


FIG 8