



US00D613545S

(12) **United States Design Patent**
Pack

(10) **Patent No.:** **US D613,545 S**
(45) **Date of Patent:** **** Apr. 13, 2010**

(54) **BEVERAGE DISPENSER**

(76) Inventor: **Wayne E. "Bud" Pack**, 1008 Howard St., Lot 162, Rapid City, SD (US) 57701

(**) Term: **14 Years**

(21) Appl. No.: **29/310,302**

(22) Filed: **Aug. 8, 2008**

(51) **LOC (9) Cl.** **07-01**

(52) **U.S. Cl.** **D7/301**

(58) **Field of Classification Search** ... D7/300.301-303, D7/306-311; D23/232; 99/323, 295; 222/129.1-129.4
See application file for complete search history.

(56) **References Cited**

U.S. PATENT DOCUMENTS

D72,696	S	*	5/1927	Branston	D7/301
2,057,137	A	*	10/1936	Culbertson	166/85.1
D228,210	S	*	8/1973	Scott	D7/301
4,413,778	A	*	11/1983	Middlemiss	239/17
D276,434	S	*	11/1984	Laney	D15/7
D276,687	S	*	12/1984	Marin	D7/301
D276,718	S	*	12/1984	Goodin et al.	D13/164
D277,537	S	*	2/1985	Merl et al.	D7/301
D281,851	S	*	12/1985	Pack	D7/301
D286,553	S	*	11/1986	Chih-Tien	D19/82
D386,645	S	*	11/1997	Fregnan	D7/301
5,711,382	A	*	1/1998	Hansen et al.	175/52

5,988,299	A	*	11/1999	Hansen et al.	175/52
D471,053	S	*	3/2003	Conti	D7/301
D521,304	S	*	5/2006	Mandel	D7/301
D551,486	S	*	9/2007	Ford	D7/301

* cited by examiner

Primary Examiner—Marianne Pandozzi

(57) **CLAIM**

The ornamental design for a beverage dispenser, as shown and described.

DESCRIPTION

FIG. 1 is a front elevational view of a beverage dispenser showing my new design;

FIG. 2 is a top plan view thereof.

FIG. 3 is a rear elevational view thereof.

FIG. 4 is a right end elevational view thereof.

FIG. 5 is a left end elevational view thereof.

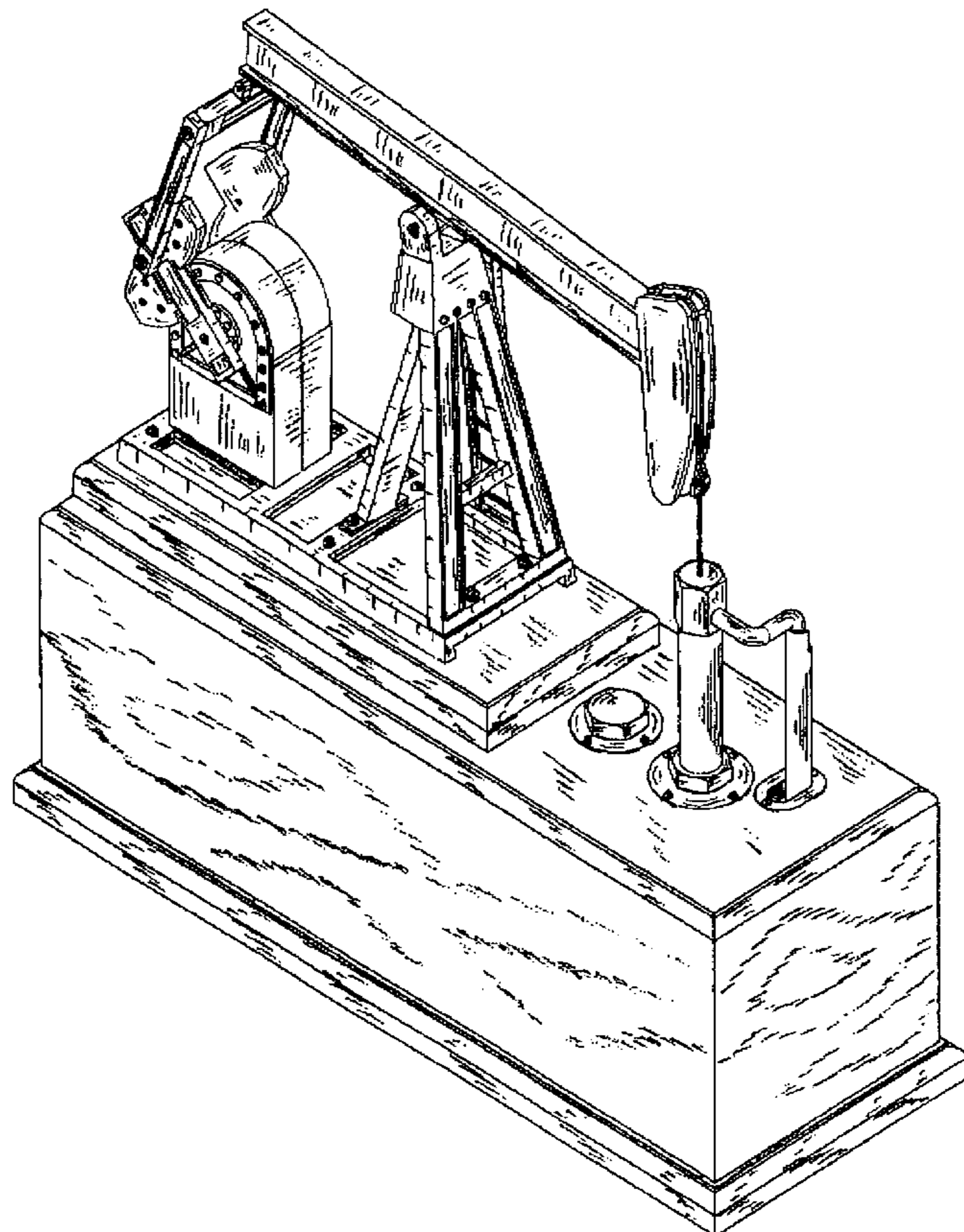
FIG. 6 is a left front perspective view thereof; and,

FIG. 7 is a left rear perspective view thereof.

The design is in the shape of a pumpjack. The beverage is dispensed from the angled tubing on the left side of the pumpjack.

The bottom of the design is flat and unornamented.

1 Claim, 7 Drawing Sheets



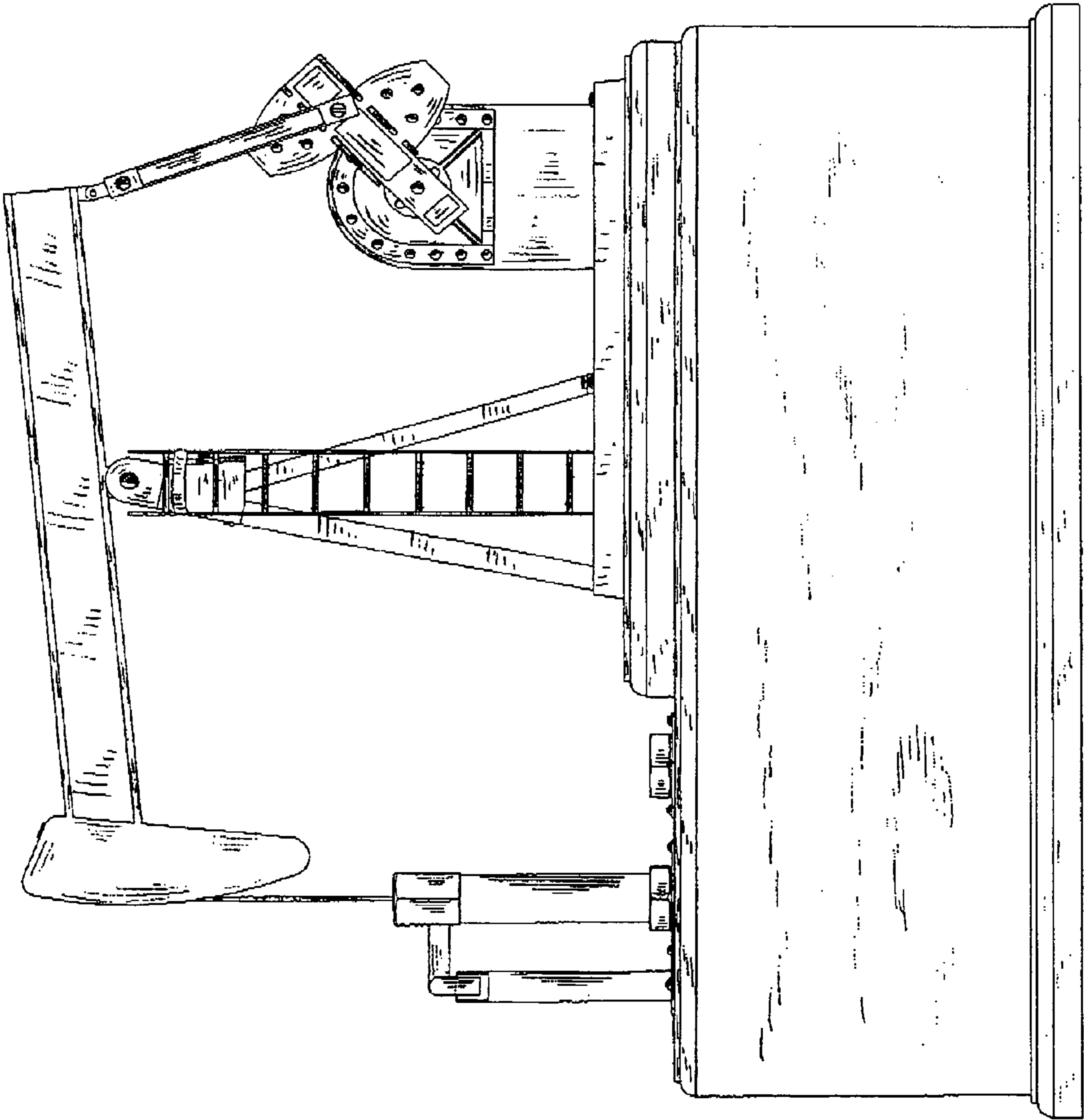


FIG 1

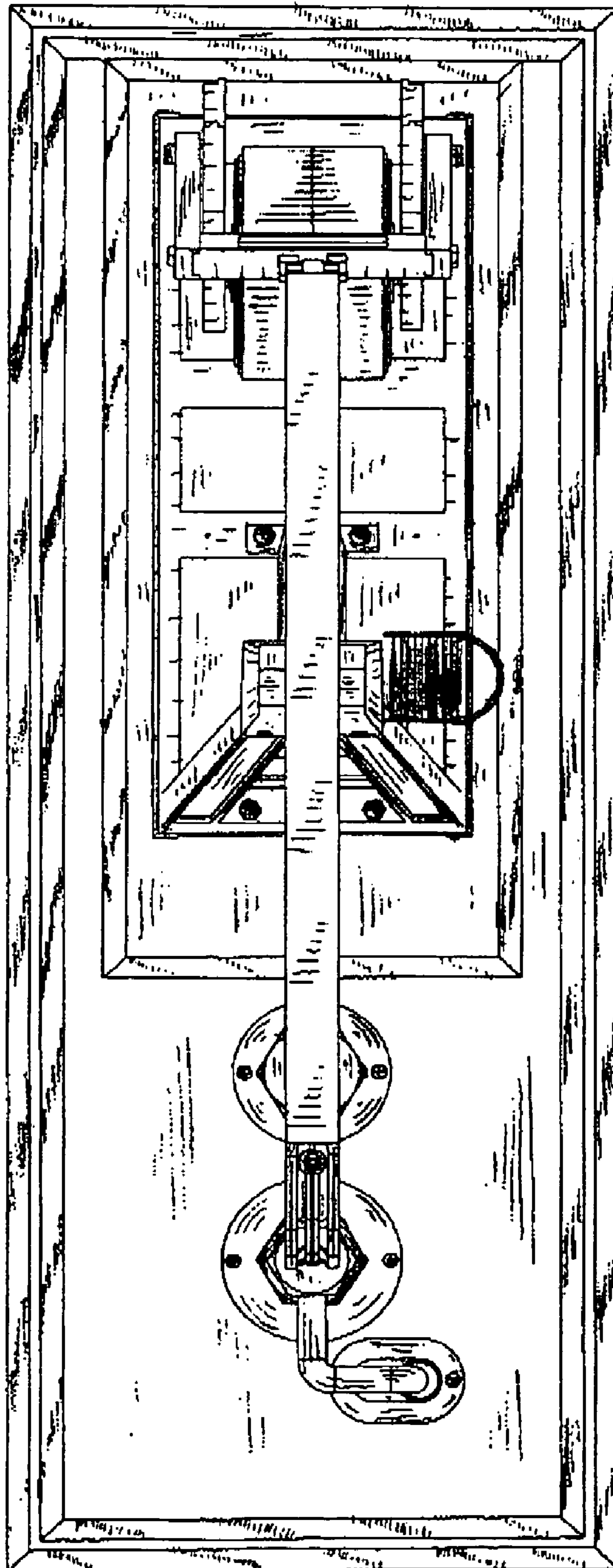


FIG 2

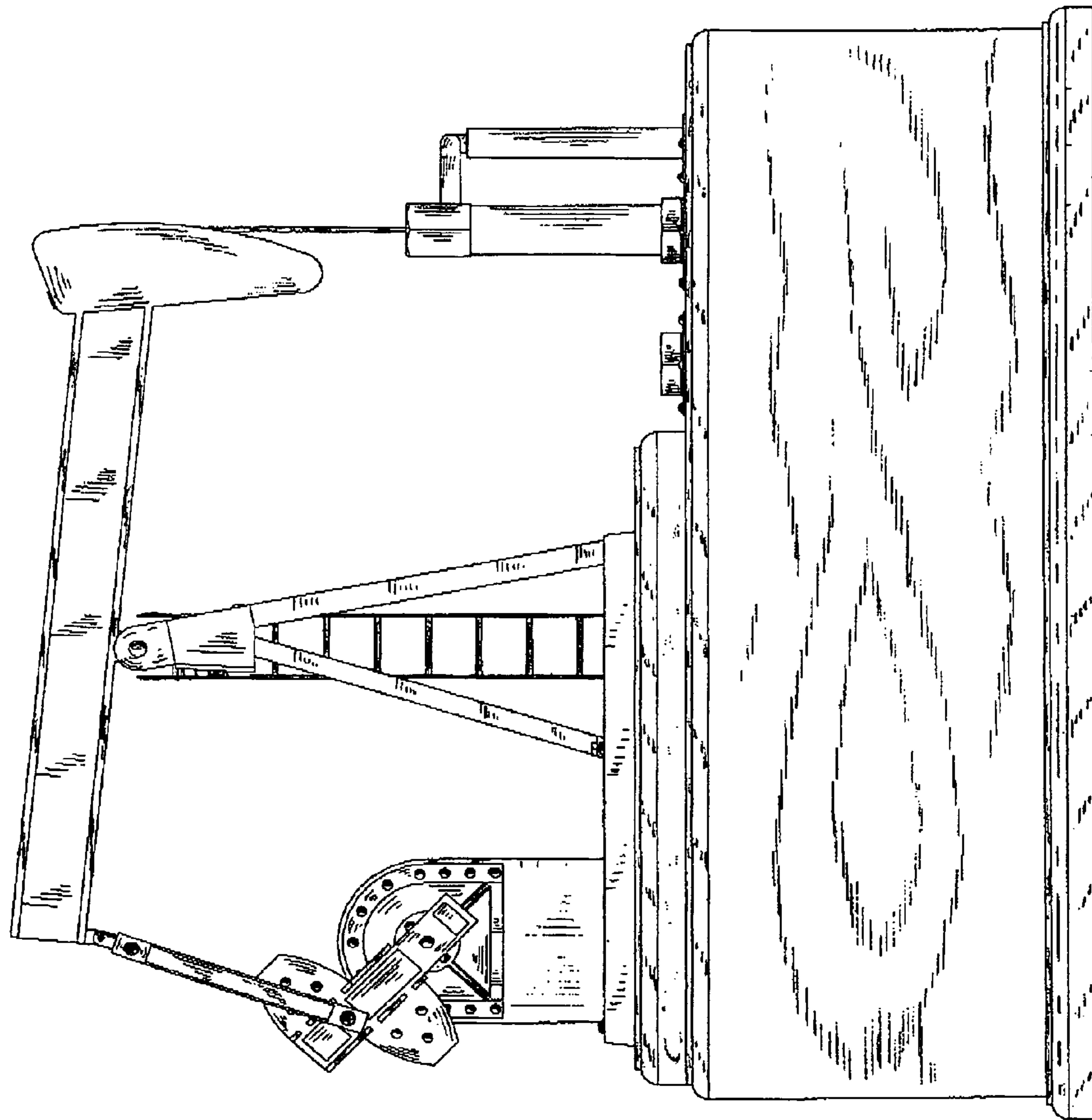


FIG 3

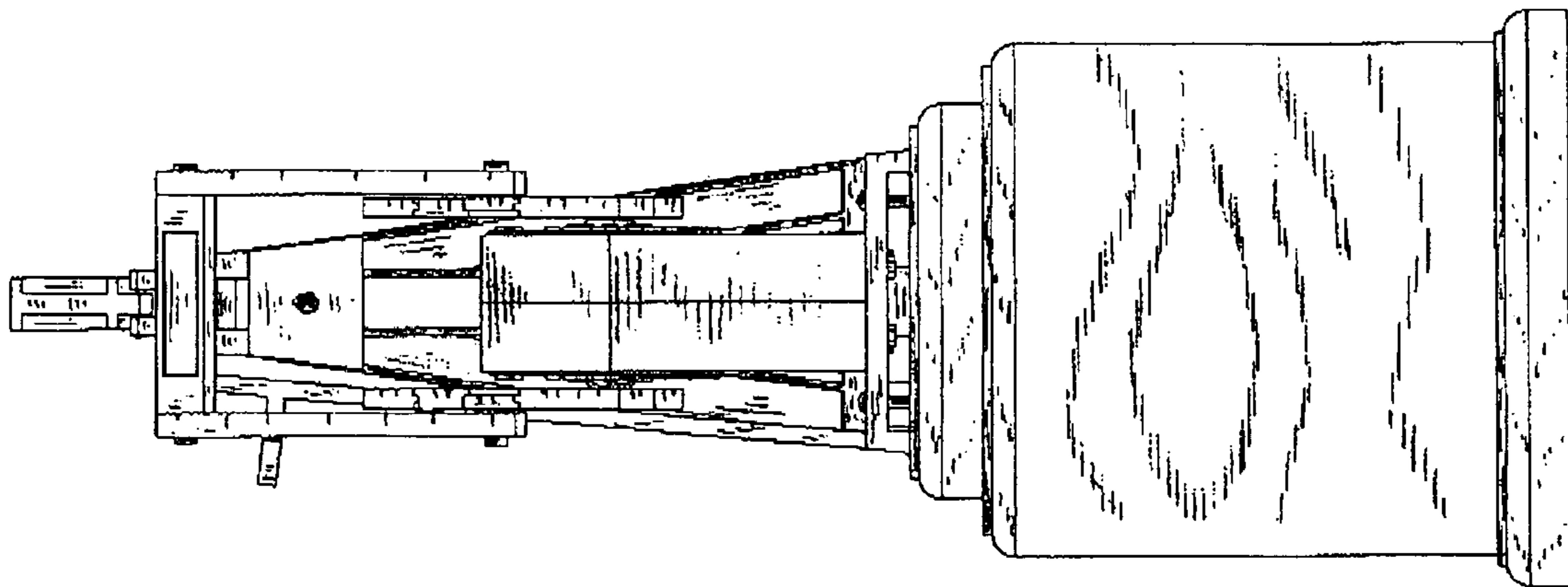


FIG 4

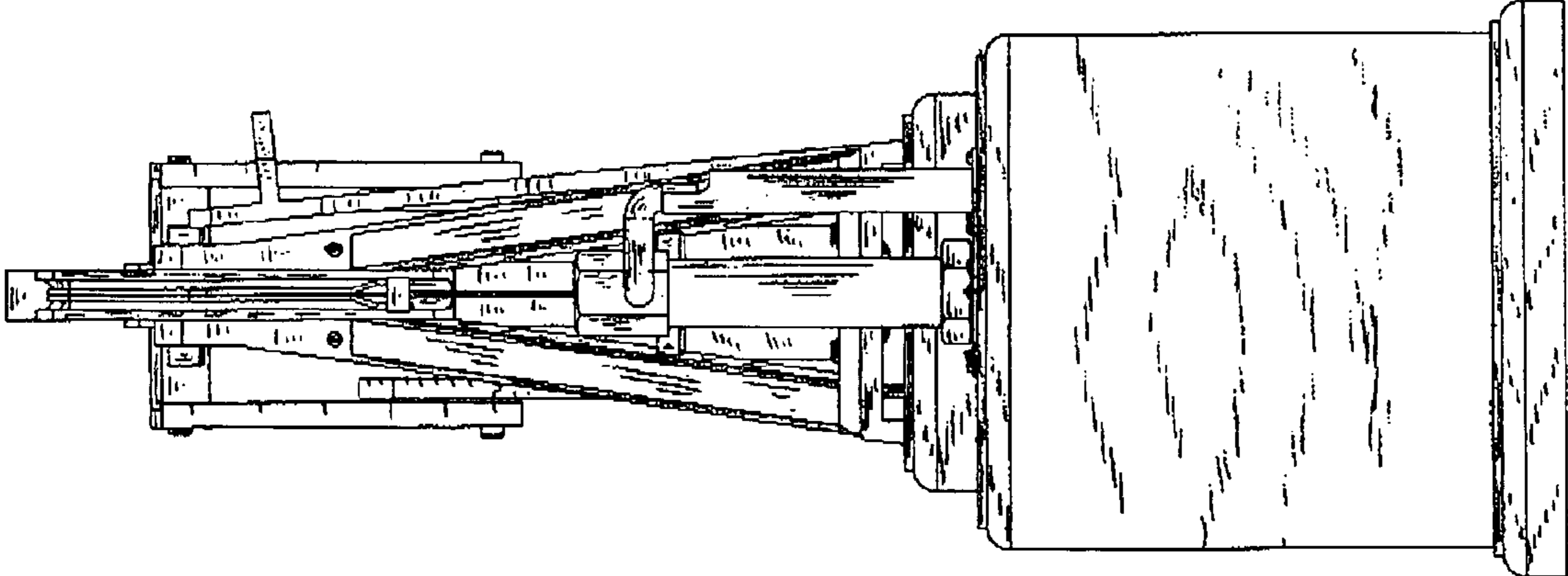


FIG. 5

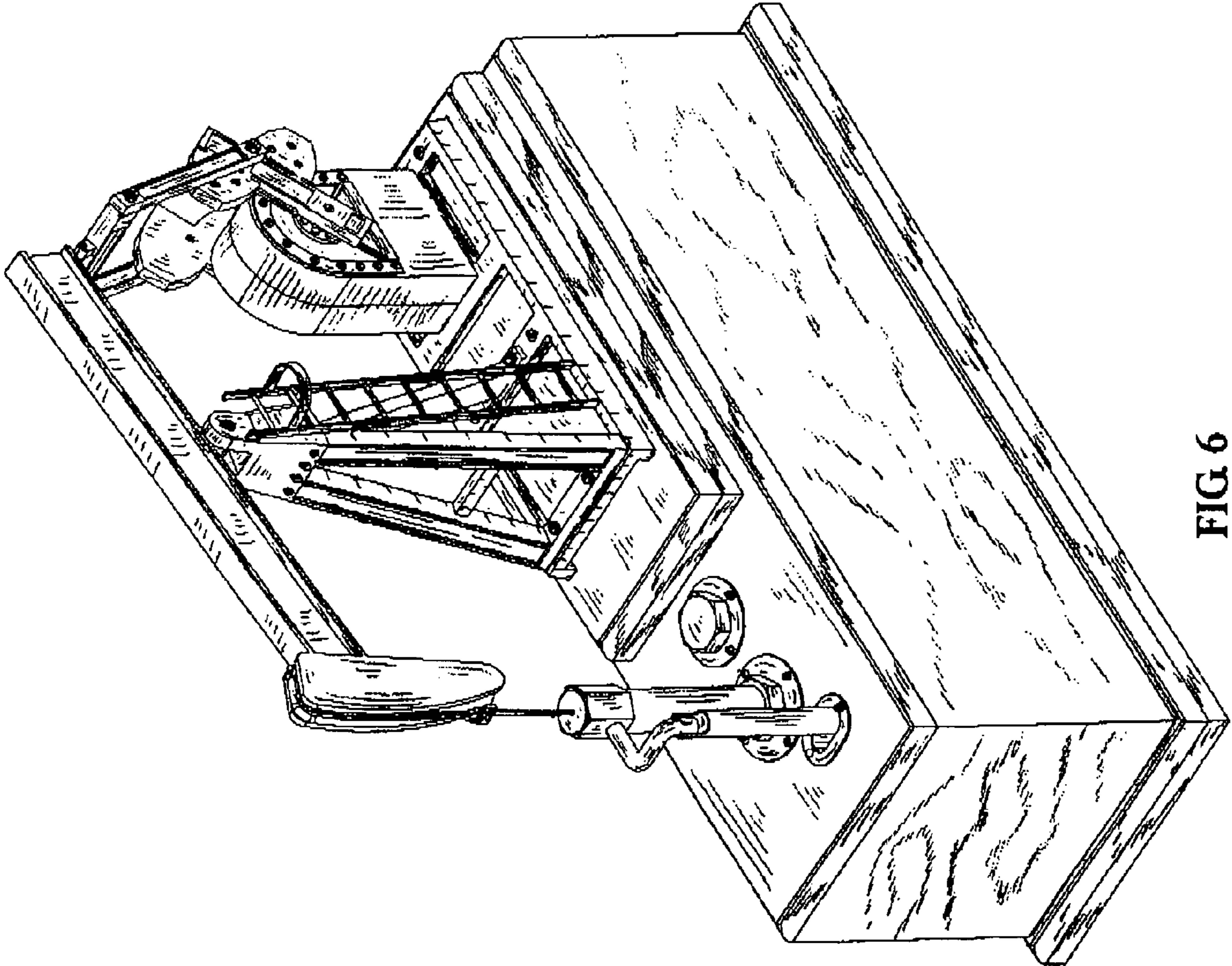


FIG 6

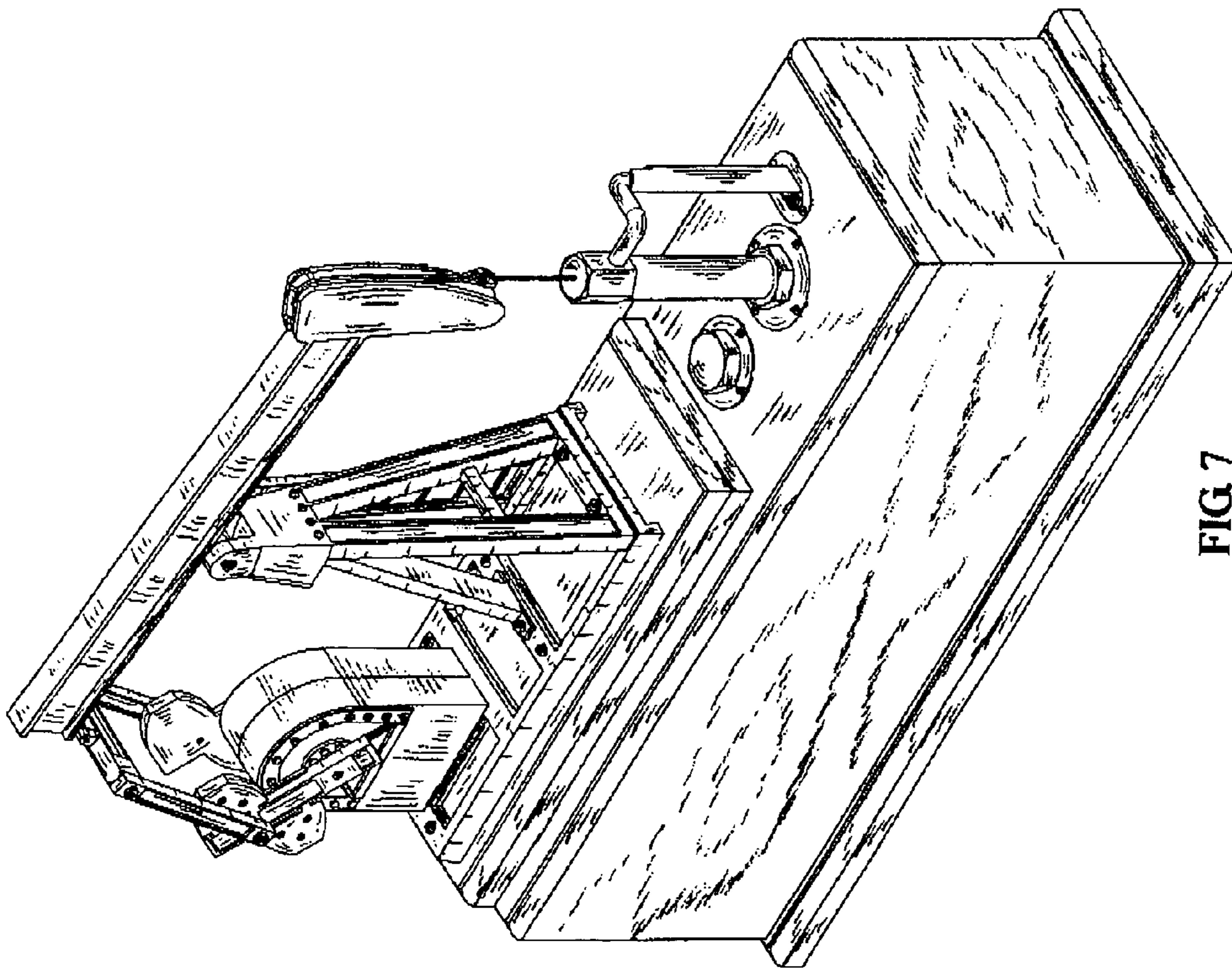


FIG 7