



US00D613541S

(12) **United States Design Patent**  
**Klein et al.**

(10) **Patent No.:** **US D613,541 S**  
(45) **Date of Patent:** **\*\* Apr. 13, 2010**

(54) **TOWEL BAR**

(75) Inventors: **Richard B. Klein**, Overland Park, KS (US); **Mark A. Etter**, Independence, MO (US); **Brian Everett**, Shawnee, KS (US)

(73) Assignee: **Lynk, Inc.**, Shawnee Mission, KS (US)

(\*\*) Term: **14 Years**

(21) Appl. No.: **29/351,834**

(22) Filed: **Dec. 11, 2009**

(51) **LOC (9) Cl.** ..... **06-04**

(52) **U.S. Cl.** ..... **D6/548; D6/550**

(58) **Field of Classification Search** ..... D6/518–524, D6/546–550; D8/300, 370, 315; 108/28–29; 211/13.1, 16, 85.5, 86.01, 87.01, 88.04, 100, 211/105.1, 105.2, 106, 113, 123, 181.1, 182–183; 248/49, 175, 176.1, 200, 201, 205.1, 251, 248/302, 309.1, 315; 242/570, 590, 595–598  
See application file for complete search history.

(56) **References Cited**

**U.S. PATENT DOCUMENTS**

D413,213 S 8/1999 Paus

(Continued)

**OTHER PUBLICATIONS**

“Cool Line Stainless Steel 17-1/2” (445mm) Double Pivoting Towel Bar/Hanger (Polished)”. Spokane Hardware Supply, Inc.. Posted Date: Unknown; Date; Printed Date: Unknown; <HardwareHut.com>.

(Continued)

*Primary Examiner*—Brian N Vinson

(74) *Attorney, Agent, or Firm*—Hovey Williams LLP

(57) **CLAIM**

The ornamental design for a towel bar, as shown and described.

**DESCRIPTION**

FIG. 1 is an isometric view of a towel bar embodying the design, with the towel bar brackets and cross bar with integral end bar being shown in broken lines for illustrative purposes only and forming no part of the claimed design;

FIG. 2 is a front elevation view of the towel bar of FIG. 1 and illustrating the towel bar brackets and the end bar in broken lines for illustrative purposes only so as not to form any part of the claimed design;

FIG. 3 is a right side elevation view of the towel bar of FIG. 1 and illustrating the towel bar brackets and the end bar in broken lines for illustrative purposes only so as not to form any part of the claimed design;

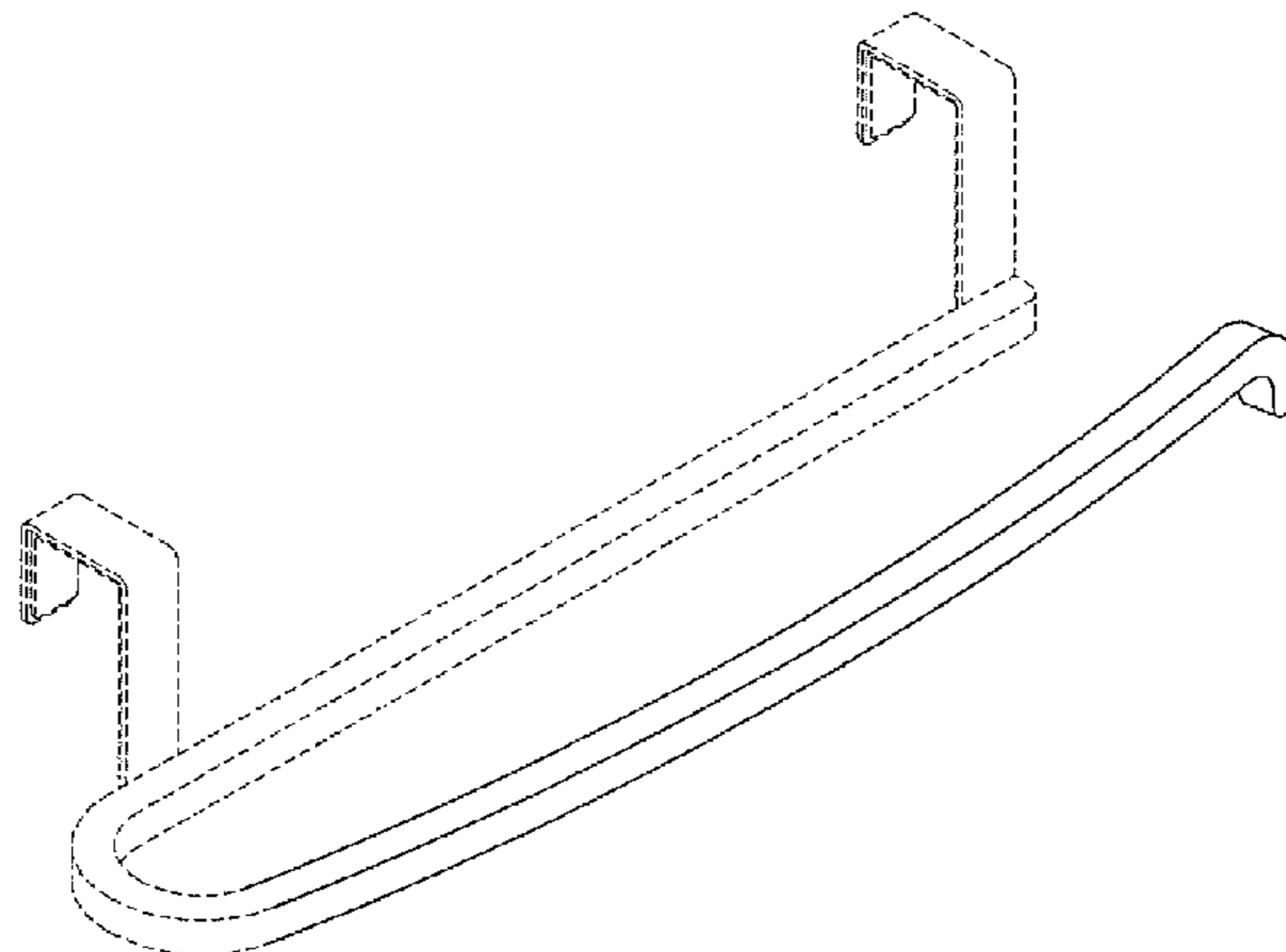
FIG. 4 is a left side elevation view of the towel bar of FIG. 1 and illustrating the towel bar brackets, the cross bar, and the end bar in broken lines for illustrative purposes only so as not to form any part of the claimed design;

FIG. 5 is a top-down plan view of the towel bar of FIG. 1 and illustrating the towel bar brackets, the cross bar, and the end bar in broken lines for illustrative purposes only so as not to form any part of the claimed design;

FIG. 6 is a bottom-up plan view of the towel bar of FIG. 1 and illustrating the towel bar brackets, the cross bar, and the end bar in broken lines for illustrative purposes only so as not to form any part of the claimed design; and,

FIG. 7 is a rear elevation view of the towel bar of FIG. 1 and illustrating the towel bar brackets, the cross bar, and the end bar in broken lines for illustrative purposes only so as not to form any part of the claimed design.

**1 Claim, 2 Drawing Sheets**



U.S. PATENT DOCUMENTS

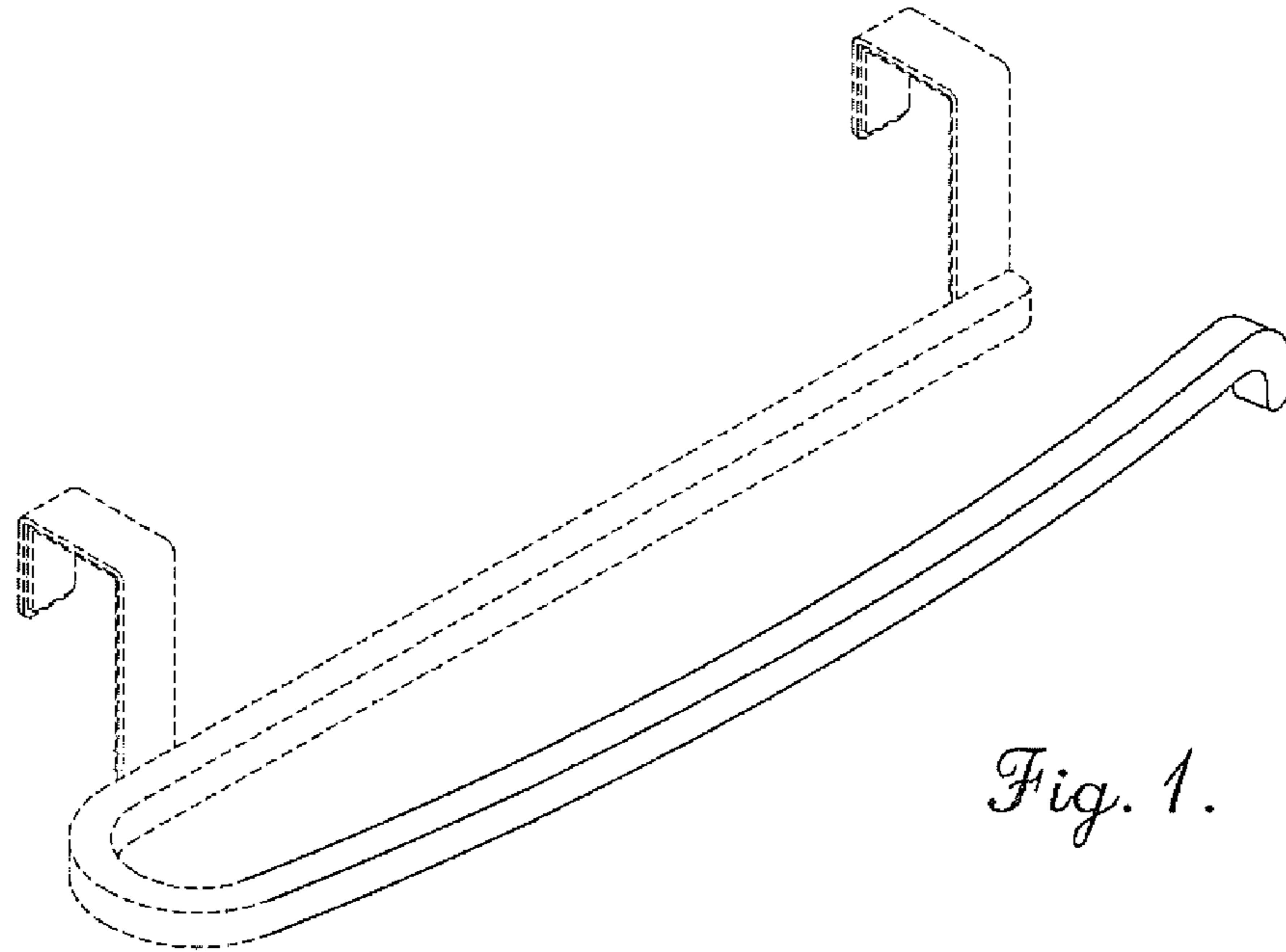
D416,731 S \* 11/1999 Klein et al. .... D6/548  
6,845,870 B2 1/2005 Yang  
D568,661 S \* 5/2008 Hoernig ..... D6/549  
D571,592 S 6/2008 Bickler et al.  
D577,939 S \* 10/2008 Rubin et al. .... D6/548  
D579,251 S \* 10/2008 Dolan ..... D6/550

OTHER PUBLICATIONS

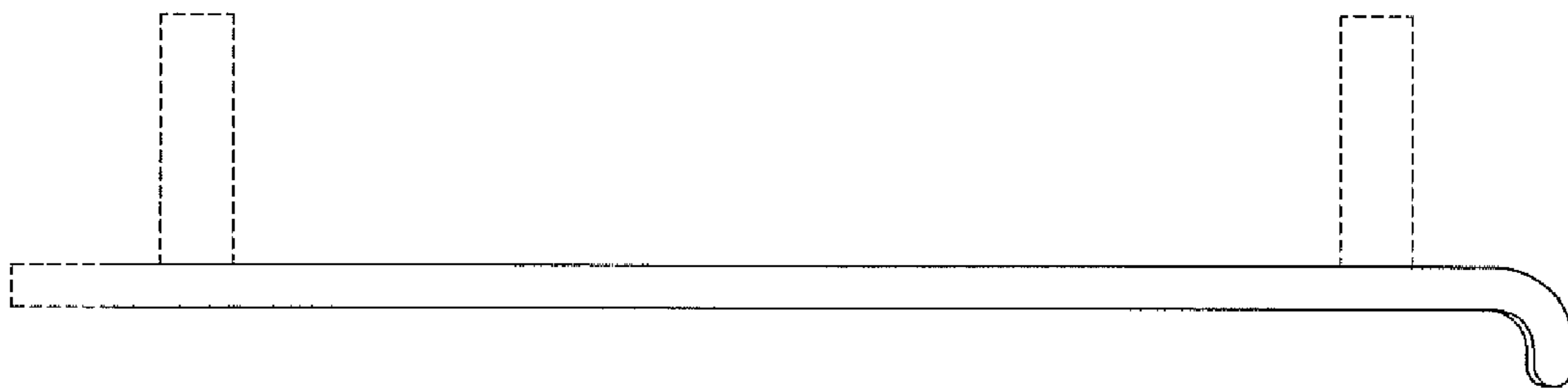
“Ginger 4522S/PC Columnar 12" Pivoting Double Towel Bar, Polished Chrome”. Posted Date: Unknown; Printed Date: Unknown; <PlumerSurplus.com>.  
“Twist N Lock QM321541 Towel Ring”. Posted Date: Unknown; Date; Printed Date: Unknown; <amazon.com>.  
“Towel Bar, 3 Prong Pull Out”. Posted Date: Unknown; Date; Printed Date: Unknown; <amazon.com>.  
“Home Collection 17" L Swing Arm Towel Bar—Polished Chrome”. Posted Date: Unknown; Date; Printed Date: Unknown; <amazon.com>.

“Kohler K-12155-BN Fairfax Small Towel Bar, Vibrant Brushed Nickel”. Posted Date: Unknown; Date; Printed Date: Unknown; <amazon.com>.  
“Towel Rack, 3 Bar Side Mount”. Posted Date: Unknown; Date; Printed Date: Unknown; <amazon.com>.  
“Hansgrohe 40512820 E & S Accessories Dual Towel Bar, Brushed Nickel”. Posted Date: Unknown; Date; Printed Date: Unknown; <amazon.com>.  
“House Collection 17" Swing Arm Towel Bar—Polished Chrome”. Posted Date: Unknown; Date; Printed Date: Unknown; <amazon.com>.  
“Smedbo Loft Swing Arm Towel Bar Rail, Polished Chrome, LK326”. Posted Date: Unknown; Date; Printed Date: Unknown; <amazon.co>.  
“Whitney Design Hinge—It Spacemaker Double Bars”. Posted Date: Unknown; Date; Printed Date: Unknown; <amazon.com>.  
“Over the Cabinet/Drawer Paper Towel Holder—Brushed Nickel by Spectrum”. Posted Date: Unknown; Date; Printed Date: Unknown; <organize.com>.

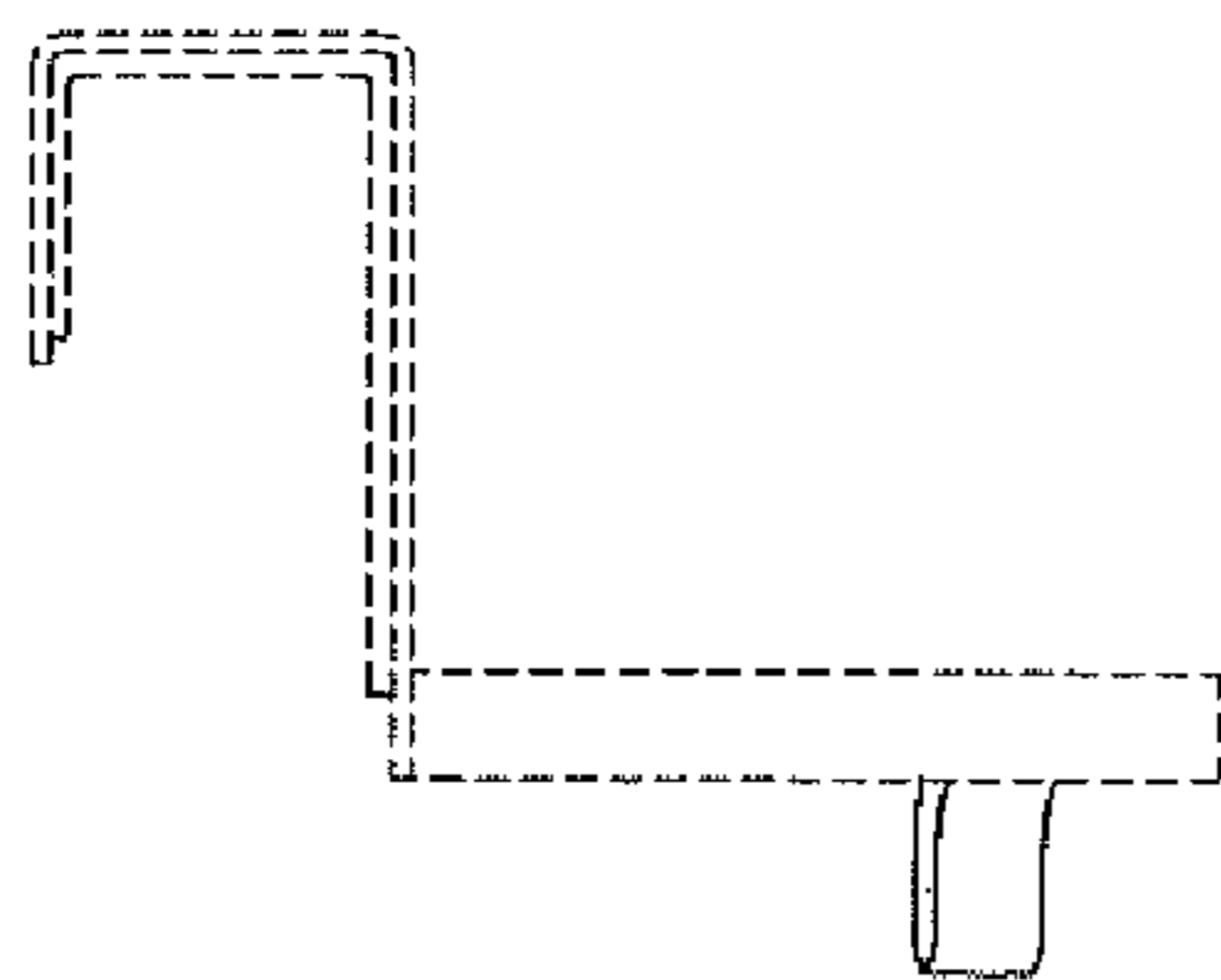
\* cited by examiner



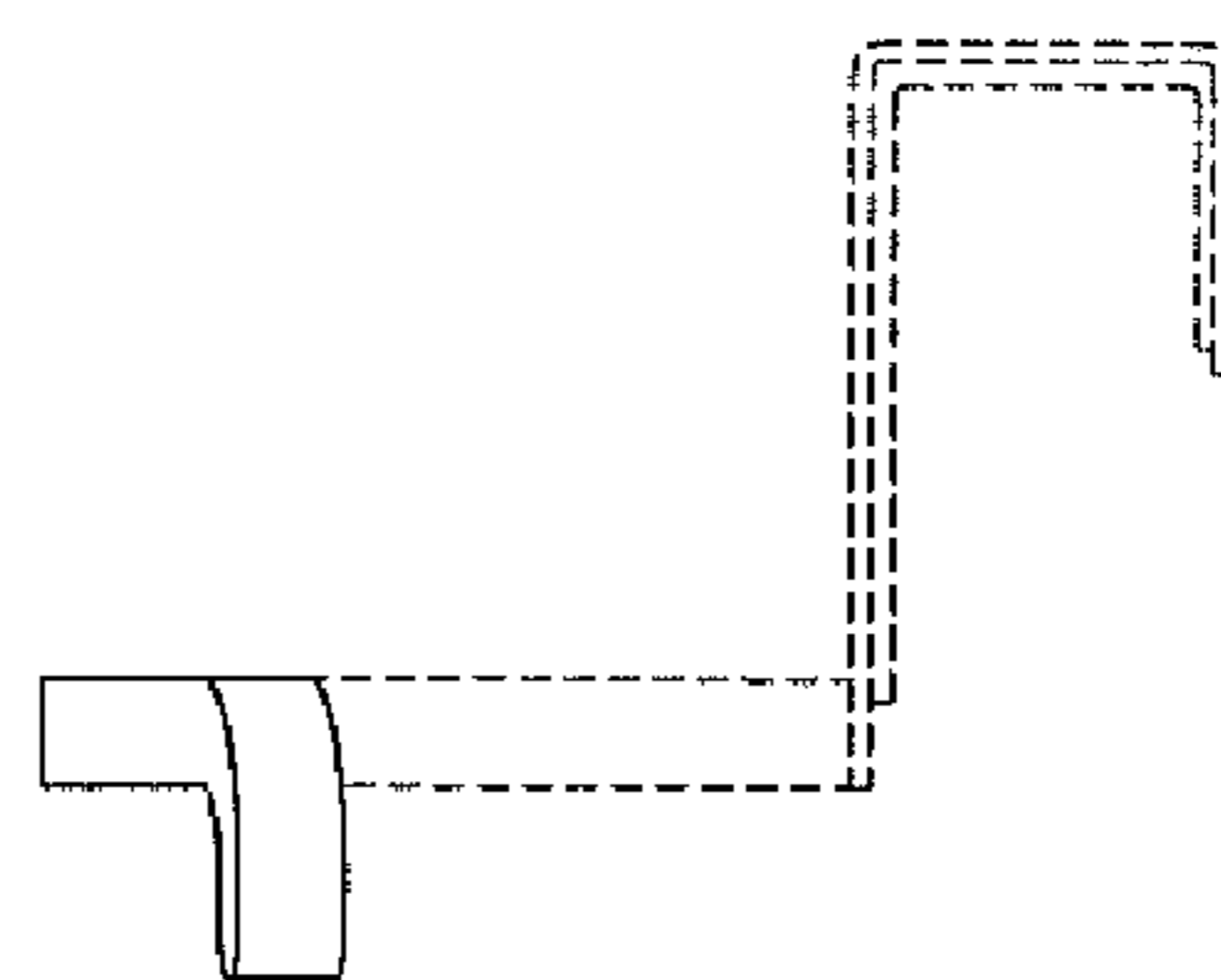
*Fig. 1.*



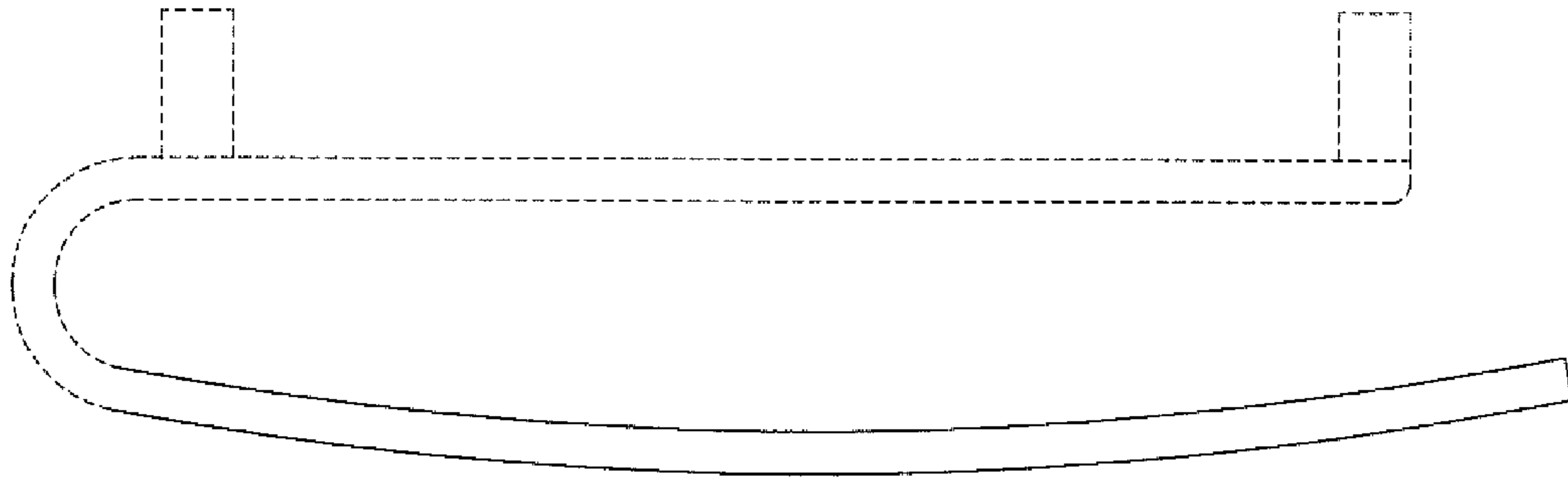
*Fig. 2.*



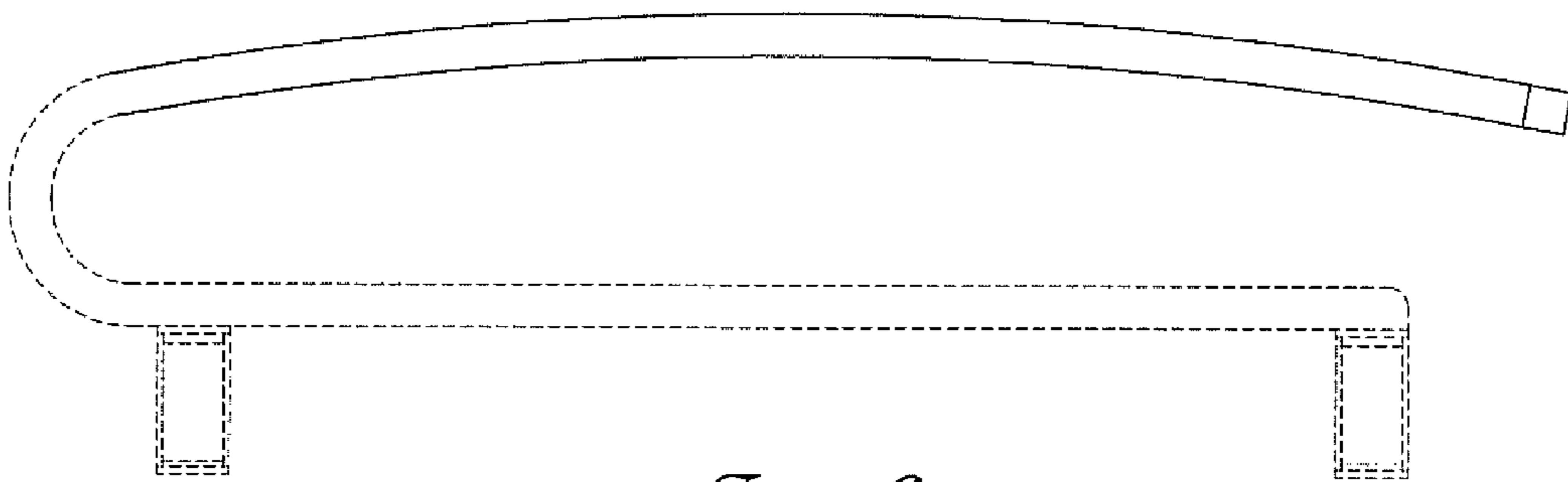
*Fig. 3.*



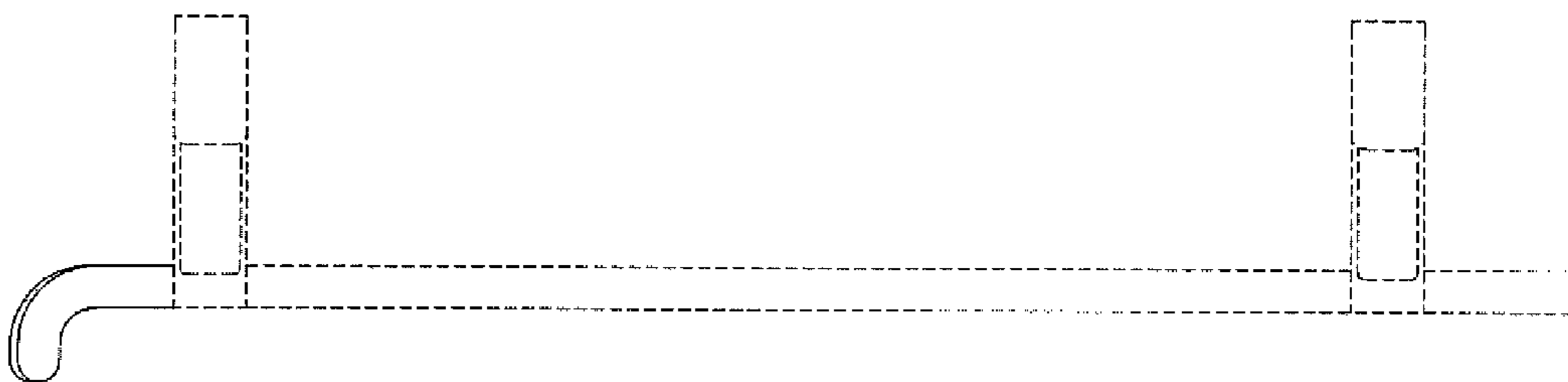
*Fig. 4.*



*Fig. 5.*



*Fig. 6.*



*Fig. 7.*