



US00D613540S

(12) **United States Design Patent**
Klein et al.

(10) **Patent No.:** **US D613,540 S**
(45) **Date of Patent:** **** Apr. 13, 2010**

(54) **TOWEL BAR**

(75) Inventors: **Richard B. Klein**, Overland Park, KS (US); **Mark A. Etter**, Independence, MO (US); **Brian Everett**, Shawnee, KS (US)

(73) Assignee: **Lynk, Inc.**, Shawnee Mission, KS (US)

(**) Term: **14 Years**

(21) Appl. No.: **29/351,815**

(22) Filed: **Dec. 11, 2009**

(51) **LOC (9) Cl.** **06-04**

(52) **U.S. Cl.** **D6/548; D6/550**

(58) **Field of Classification Search** D6/518–524,
D6/546–550; D8/300, 370, 315; 108/28–29;
211/13.1, 16, 85.5, 86.01, 87.01, 88.04, 100,
211/105.1, 105.2, 106, 113, 123, 181.1, 182–183;
248/49, 175, 176.1, 200, 201, 205.1, 251,
248/302, 309.1, 315; 242/570, 590, 595–598
See application file for complete search history.

(56) **References Cited**

U.S. PATENT DOCUMENTS

D413,213 S 8/1999 Paus

(Continued)

OTHER PUBLICATIONS

“Cool Line Stainless Steel 17-1/2" (445mm) Double Pivoting Towel Bar/Hanger (Polished)”. Spokane Hardware Supply, Inc.. Posted Date: Unknown; Date; Printed Date: Unknown; <HardwareHut.com>.

(Continued)

Primary Examiner—Brian N Vinson

(74) *Attorney, Agent, or Firm*—Hovey Williams LLP

(57) **CLAIM**

The ornamental design for a towel bar, as shown and described.

DESCRIPTION

FIG. 1 is an isometric view of a towel bar embodying the design, with towel bar brackets and an end bar being shown in broken lines for illustrative purposes only and forming no part of the claimed design;

FIG. 2 is a front elevation view of the towel bar of FIG. 1 and illustrating the towel bar brackets and the end bar in broken lines for illustrative purposes only so as not to form any part of the claimed design;

FIG. 3 is a right side elevation view of the towel bar of FIG. 1 and illustrating the towel bar brackets and the end bar in broken lines for illustrative purposes only so as not to form any part of the claimed design;

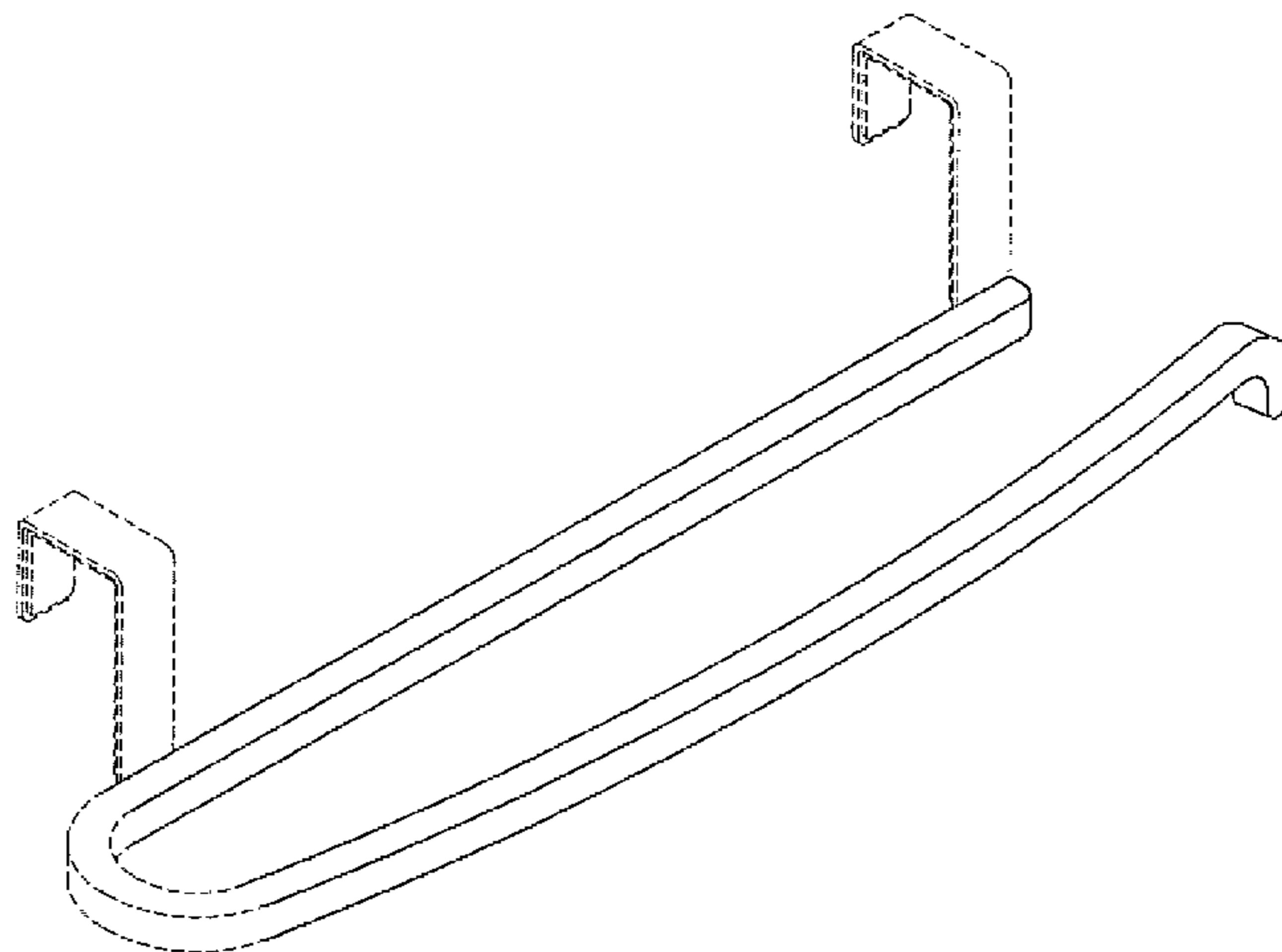
FIG. 4 is a left side elevation view of the towel bar of FIG. 1 and illustrating the towel bar brackets and the end bar in broken lines for illustrative purposes only so as not to form any part of the claimed design;

FIG. 5 is a top-down plan view of the towel bar of FIG. 1 and illustrating the towel bar brackets and the end bar in broken lines for illustrative purposes only so as not to form any part of the claimed design;

FIG. 6 is a bottom-up plan view of the towel bar of FIG. 1 and illustrating the towel bar brackets and the end bar in broken lines for illustrative purposes only so as not to form any part of the claimed design; and,

FIG. 7 is a rear elevation view of the towel bar of FIG. 1 and illustrating the towel bar brackets and the end bar in broken lines for illustrative purposes only so as not to form any part of the claimed design.

1 Claim, 2 Drawing Sheets



U.S. PATENT DOCUMENTS

| | | | | | |
|--------------|---|---------|----------------|-------|--------|
| D416,731 S | * | 11/1999 | Klein et al. | | D6/548 |
| D422,171 S | | 4/2000 | Mahlmann | | |
| D437,163 S | | 2/2001 | Fiegl et al. | | |
| D450,510 S | | 11/2001 | Gottwald | | |
| D455,591 S | | 4/2002 | Zetsche | | |
| 6,845,870 B2 | | 1/2005 | Yang | | |
| D568,661 S | * | 5/2008 | Hoernig | | D6/549 |
| D571,592 S | | 6/2008 | Bickler et al. | | |
| D577,939 S | * | 10/2008 | Rubin et al. | | D6/548 |
| D579,251 S | * | 10/2008 | Dolan | | D6/550 |
| D590,645 S | | 4/2009 | Westrate | | |
| D591,991 S | | 5/2009 | Cohen | | |

OTHER PUBLICATIONS

“Ginger 4522S/PC Columnar 12" Pivoting Double Towel Bar, Polished Chrome”. Posted Date: Unknown; Printed Date: Unknown; <PlumerSurplus.com>.

“Twist N Lock QM321541 Towel Ring”. Posted Date: Unknown; Date; Printed Date: Unknown; <amazon.com>.

“Towel Bar, 3 Prong Pull Out”. Posted Date: Unknown; Date; Printed Date: Unknown; <amazon.com>.

“Home Collection 17" L Swing Arm Towel Bar—Polished Chrome”. Posted Date: Unknown; Date; Printed Date: Unknown; <amazon.com>.

“Kohler K-12155-BN Fairfax Small Towel Bar, Vibrant Brushed Nickel”. Posted Date: Unknown; Date; Printed Date: Unknown; <amazon.com>.

“Towel Rack, 3 Bar Side Mount”. Posted Date: Unknown; Date; Printed Date: Unknown; <amazon.com>.

Hansgrohe 40512820 E & S Accessories Dual Towel Bar, Brushed Nickel. Posted Date: Unknown; Date; Printed Date: Unknown; <amazon.com>.

“House Collection 17" Swing Arm Towel Bar—Polished Chrome”. Posted Date: Unknown; Date; Printed Date: Unknown; <amazon.com>.

“Smedbo Loft Swing Arm Towel Bar Rail, Polished Chrome, LK326”. Posted Date: Unknown; Date; Printed Date: Unknown; <amazon.com>.

“Whitney Design Hinge—It Spacemaker Double Bars”. Posted Date: Unknown; Date; Printed Date: Unknown; <amazon.com>.

“Over the Cabinet/Drawer Paper Towel Holder—Brushed Nickel by Spectrum”. Posted Date: Unknown; Date; Printed Date: Unknown; <organize.com>.

* cited by examiner

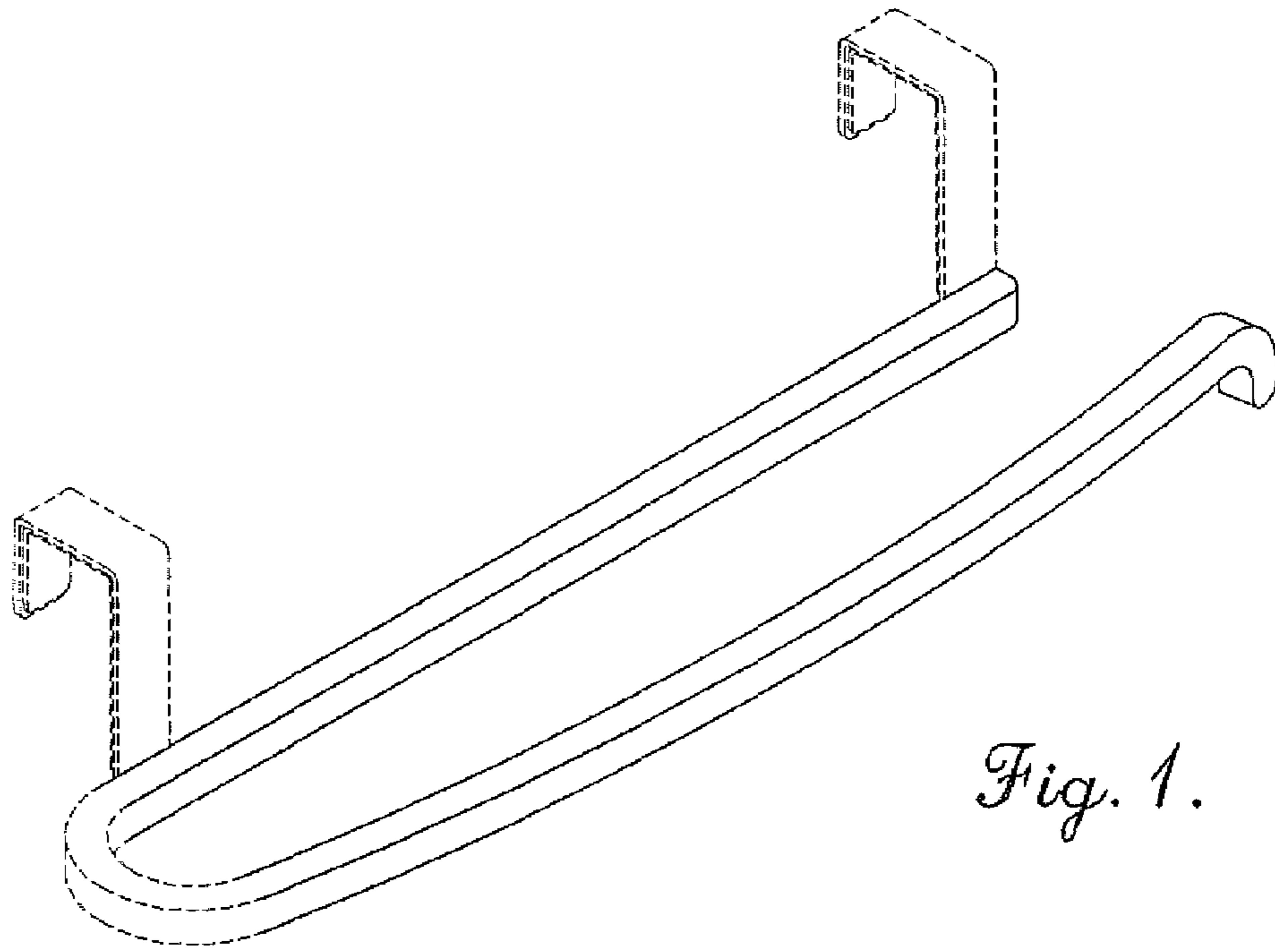


Fig. 1.



Fig. 2.

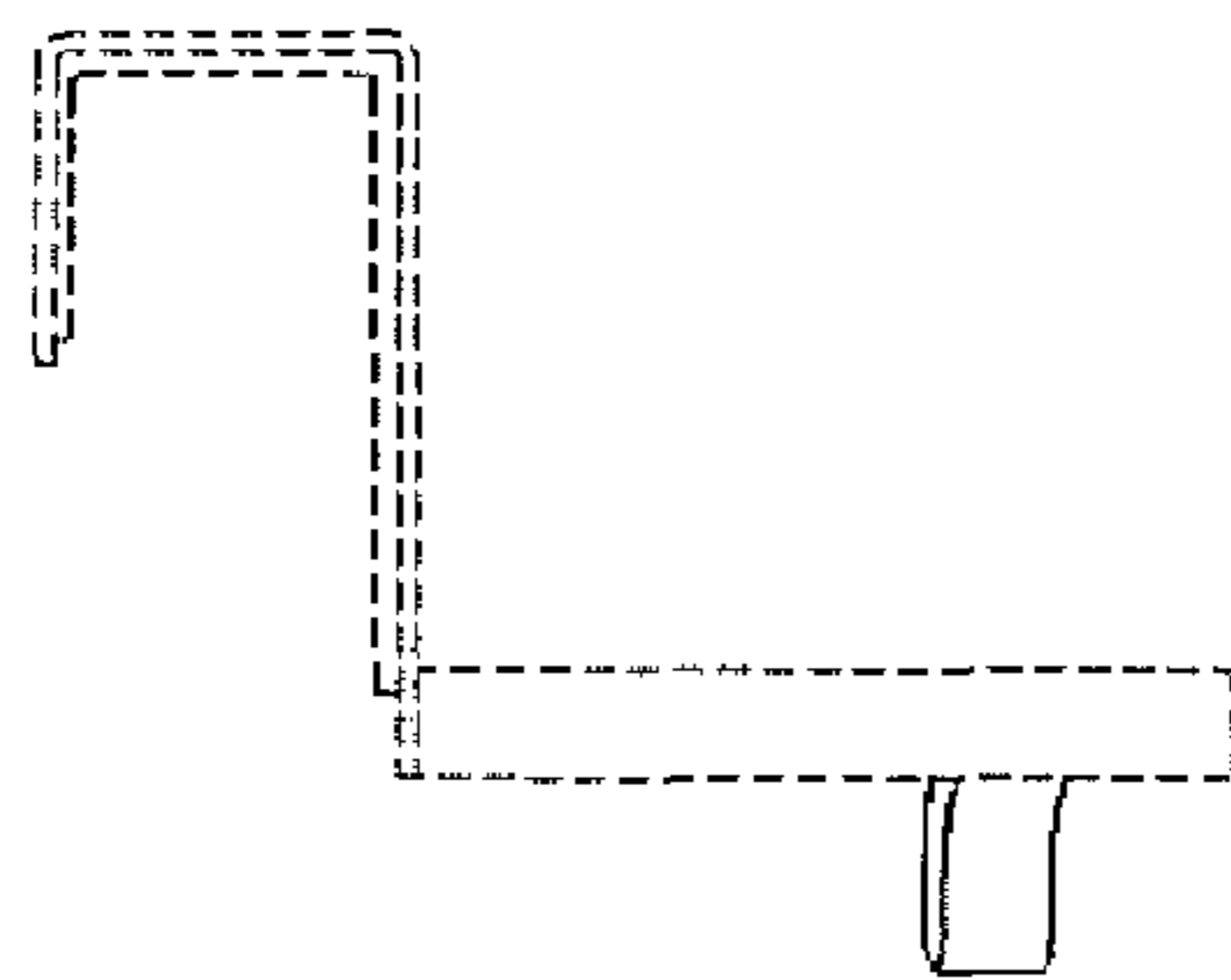


Fig. 3.

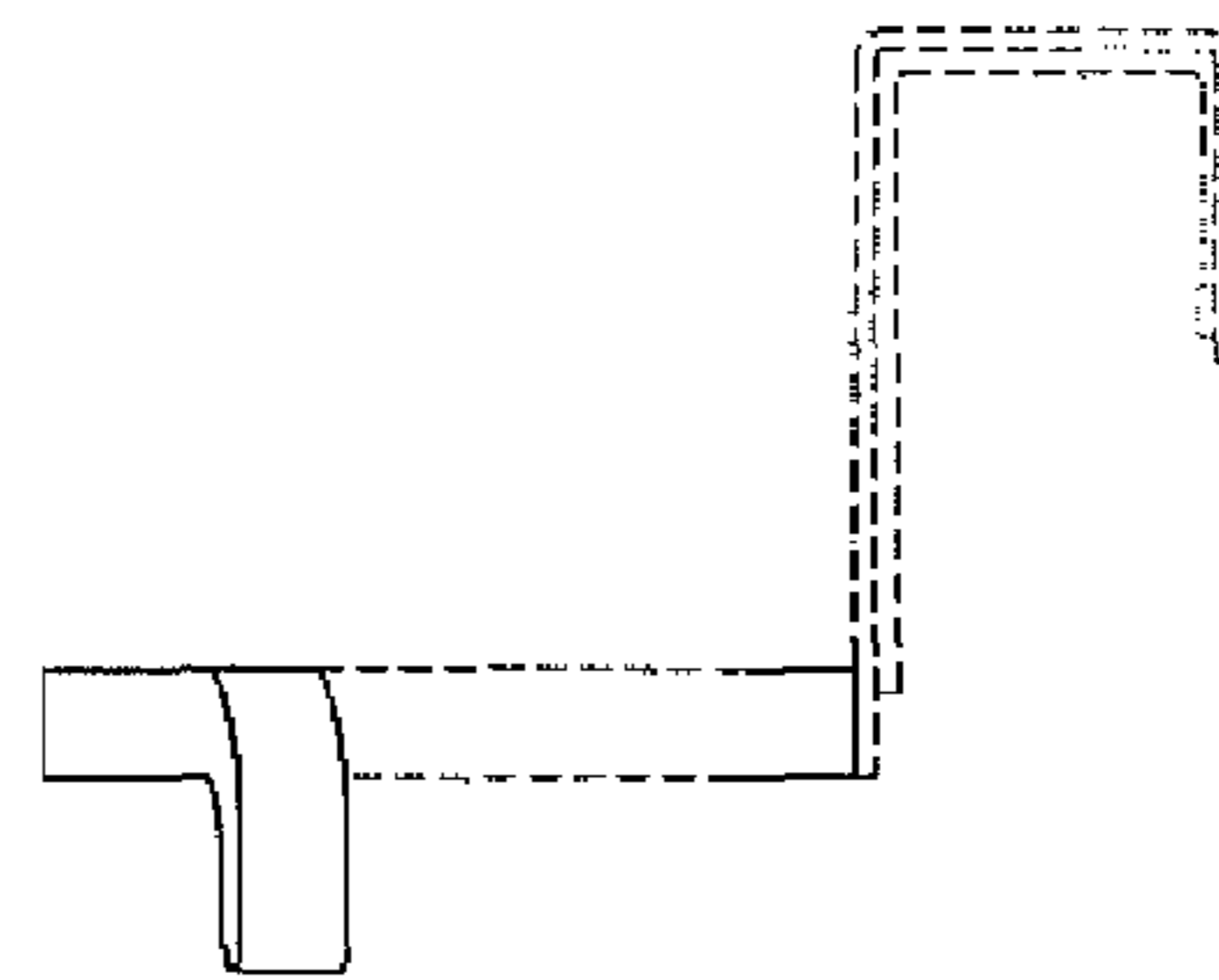


Fig. 4.

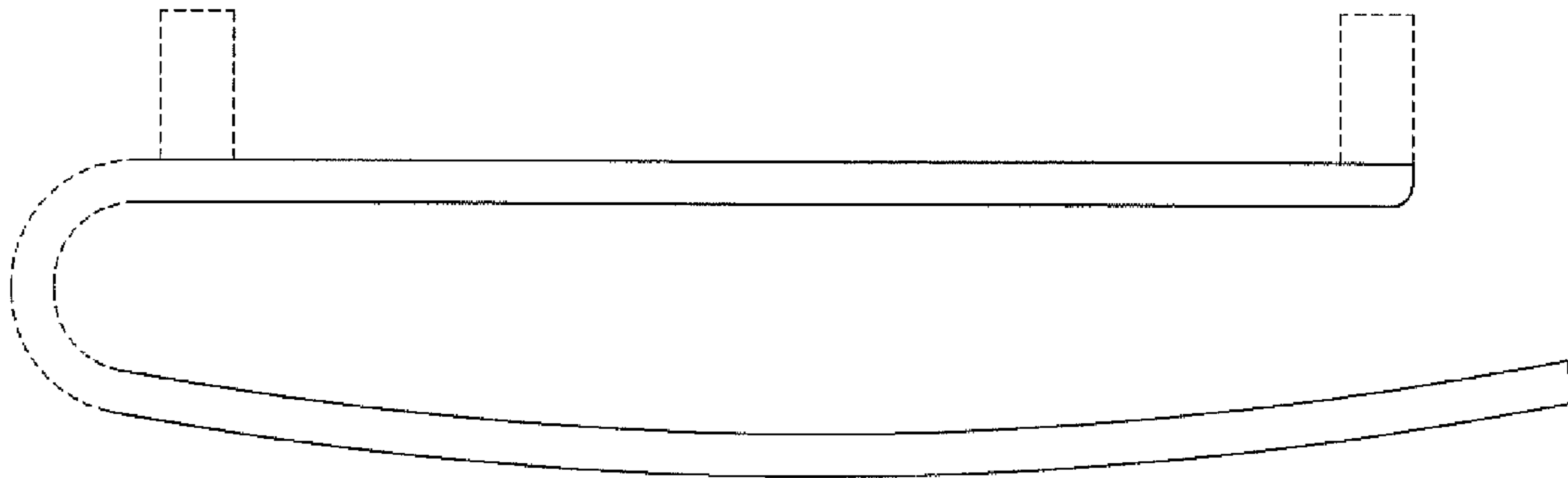


Fig. 5.

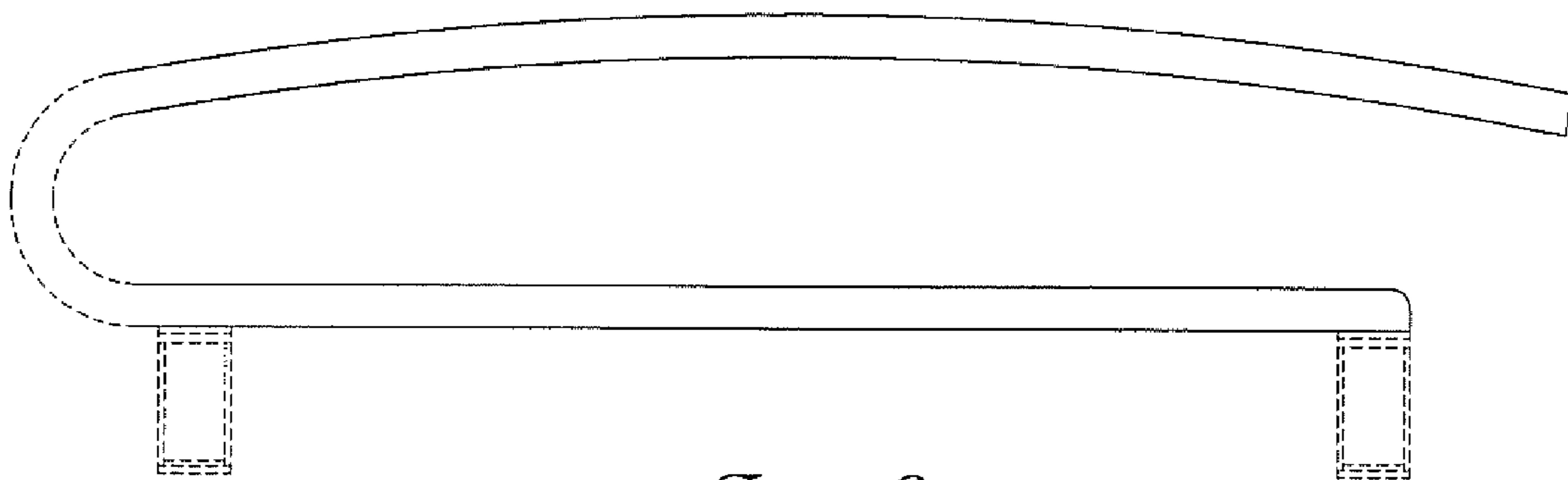


Fig. 6.

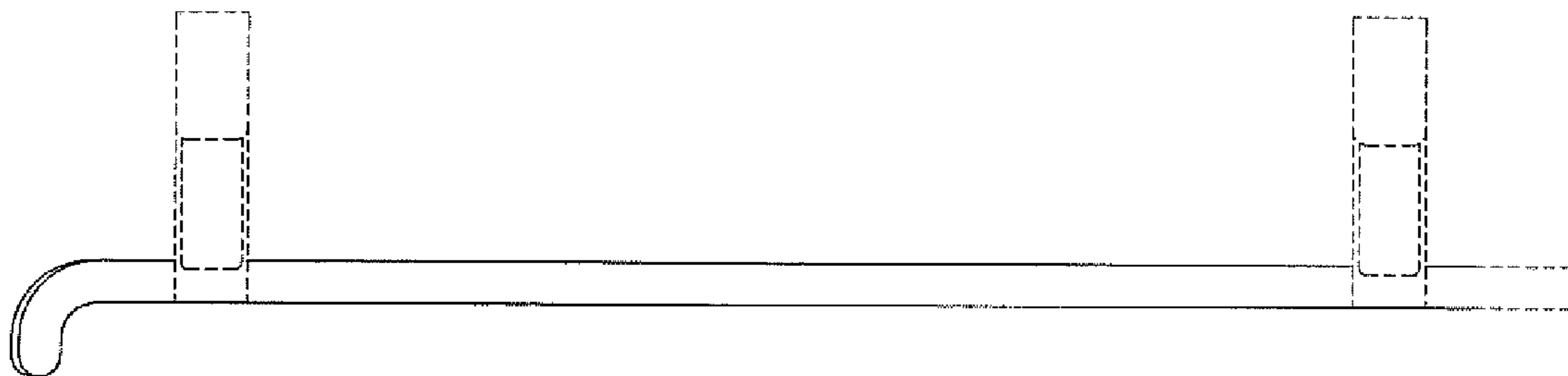


Fig. 7.