



US00D613539S

(12) **United States Design Patent**
Crusiau

(10) **Patent No.:** **US D613,539 S**

(45) **Date of Patent:** **** Apr. 13, 2010**

(54) **TOILET PAPER HOLDING DEVICE**

D458,489 S * 6/2002 Omdoll et al. D6/523
D557,959 S * 12/2007 Pommier et al. D6/523

(76) Inventor: **Eric Crusiau**, Rue Beausoir 16,
Oeudeghien (BE) B-7911

* cited by examiner

(**) Term: **14 Years**

Primary Examiner—Brian N Vinson

(74) *Attorney, Agent, or Firm*—Fulwider Patton LLP

(21) Appl. No.: **29/329,337**

(57) **CLAIM**

(22) Filed: **Dec. 12, 2008**

The ornamental design for a toilet paper holding device, as shown and described.

(30) **Foreign Application Priority Data**

DESCRIPTION

Jun. 13, 2008 (EM) 000951140-0001

FIG. 1 is a right front perspective view of the design for a toilet paper holding device, showing my new design.

(51) **LOC (9) Cl.** **23-02**

FIG. 2 is a right side elevational view thereof.

(52) **U.S. Cl.** **D6/523**

FIG. 3 is an exploded left front perspective view showing the top and left exterior sides and the right and bottom interior sides of the rear portion thereof.

(58) **Field of Classification Search** D6/546-550,
D6/518-519, 522-524; D8/300, 303, 315-321;
108/28-29; 211/13.1, 16, 60.1, 86.01, 87.01,
211/88.01, 88.04, 100, 105.1-105.2, 123,
211/181.1, 182; 248/175, 176.1, 251, 302;
16/110.1, 412, 415; 242/570, 590, 595-598

FIG. 4 is a left front perspective view of the rear portion showing the top and left exterior sides and the right and bottom interior sides of the rear portion thereof.

See application file for complete search history.

FIG. 5 is a left front perspective view a portion of the interior assembly showing a left side portion thereof.

(56) **References Cited**

FIG. 6 is a side perspective view of an interior plate thereof; and,

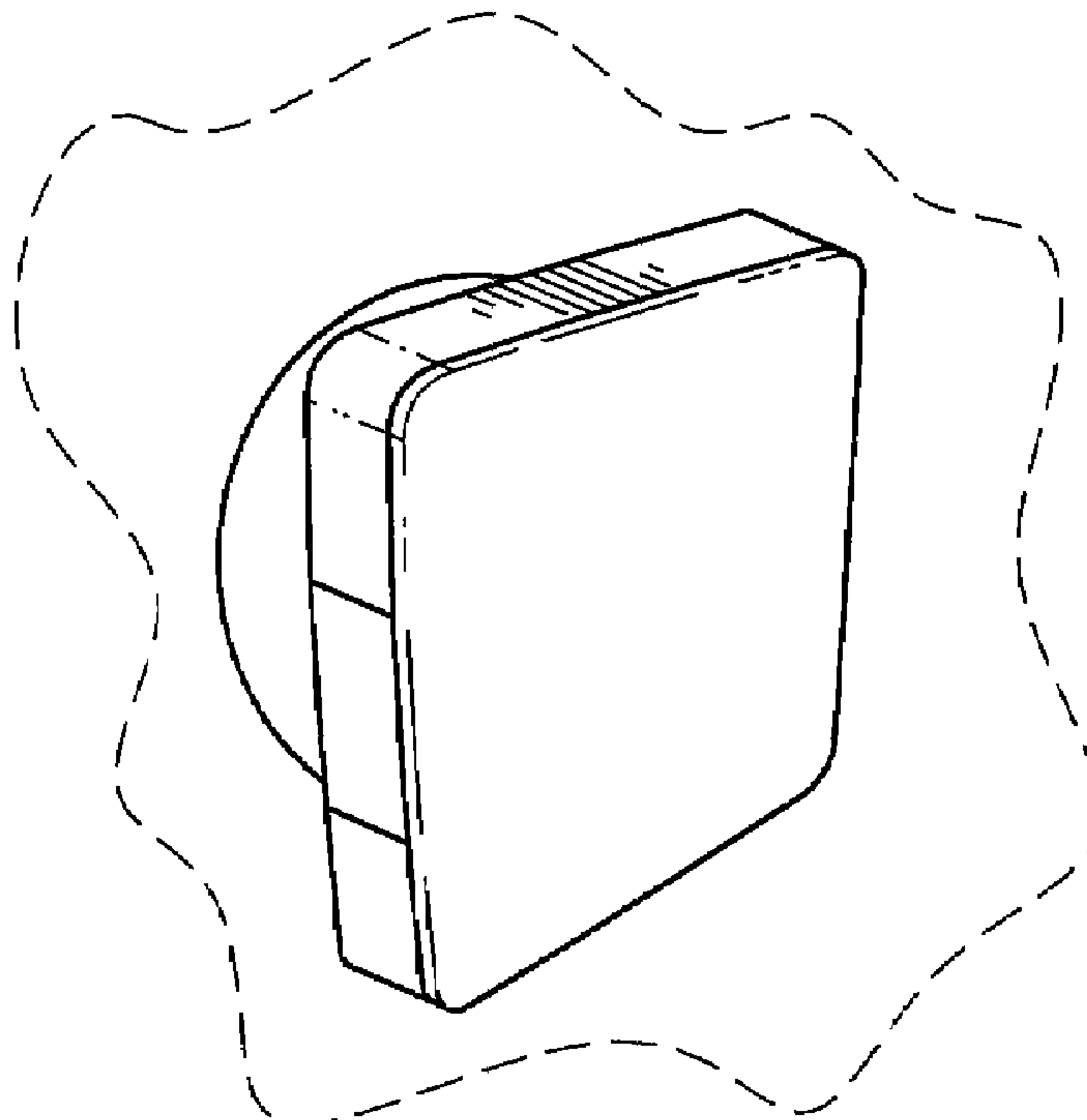
U.S. PATENT DOCUMENTS

FIG. 7 is a side perspective view of the cover plate thereof.

4,416,425 A 11/1983 Kish
D358,516 S * 5/1995 Chen D6/523
D436,774 S * 1/2001 Engelstein et al. D6/522
D441,578 S * 5/2001 Andersson D6/518

The broken-line disclosure in the views is understood to represent a fragmentary wall surface which is for illustrative purposes only and forms no part of the claimed design.

1 Claim, 2 Drawing Sheets



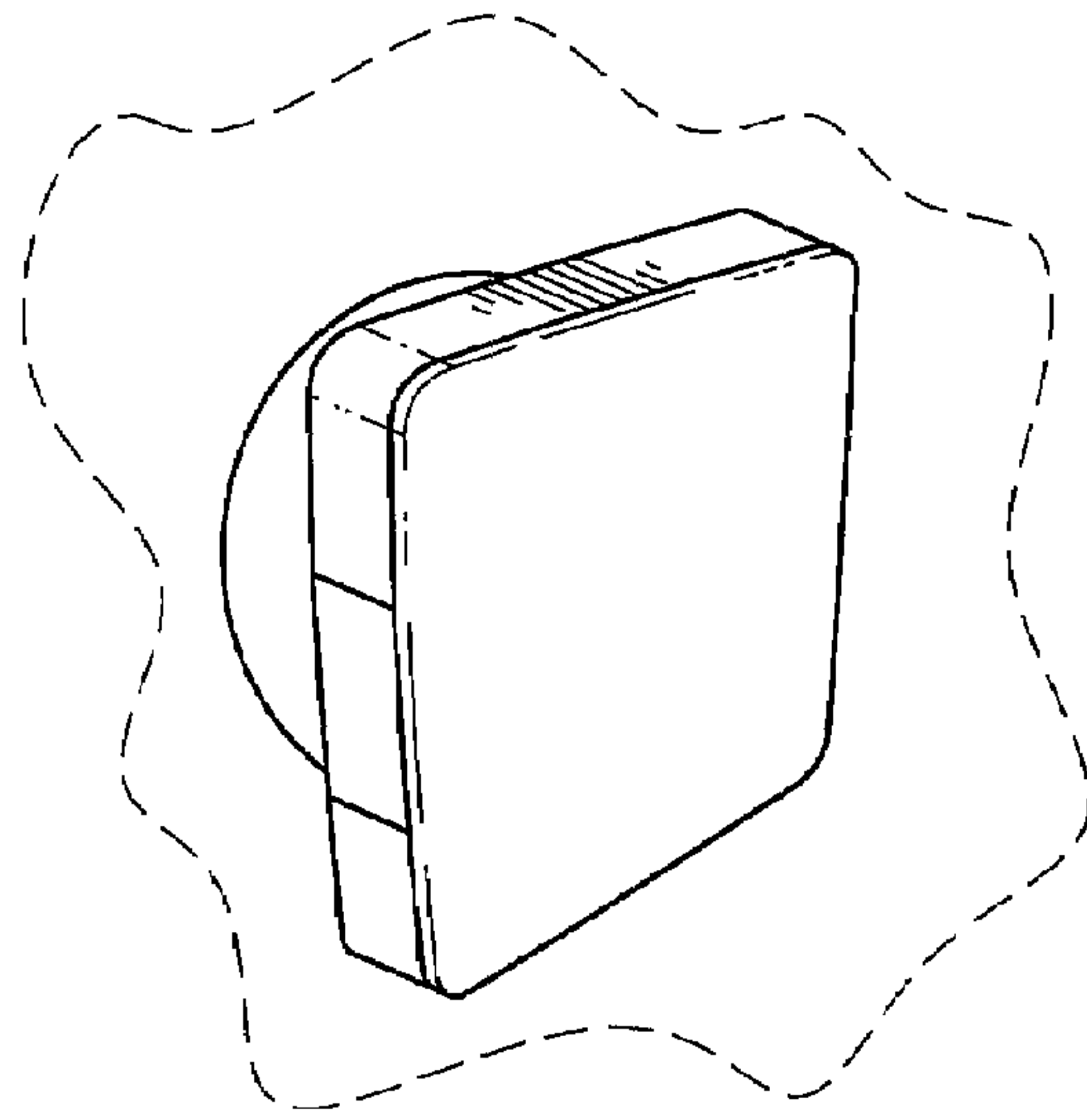


FIG. 1

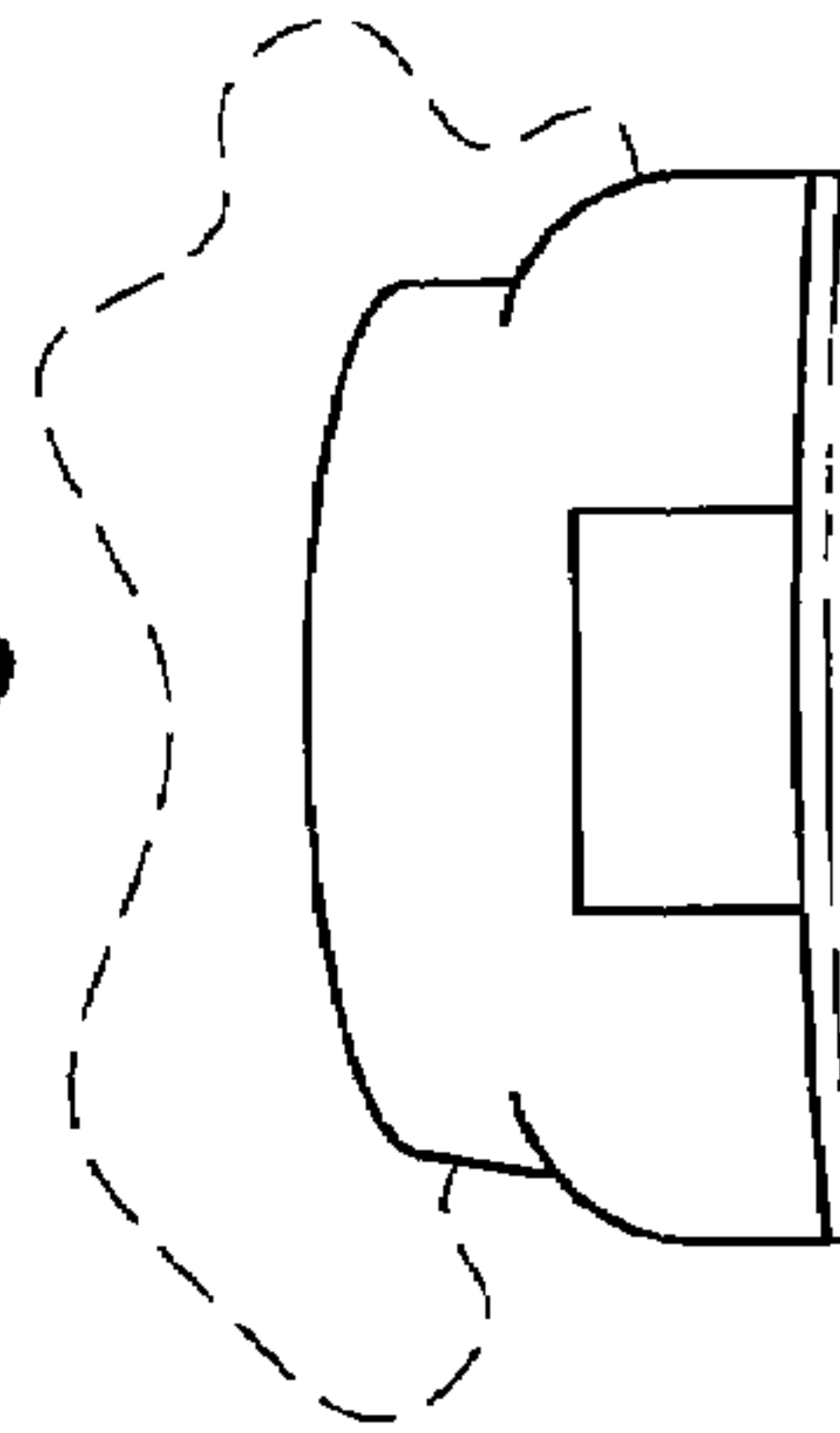


FIG. 2

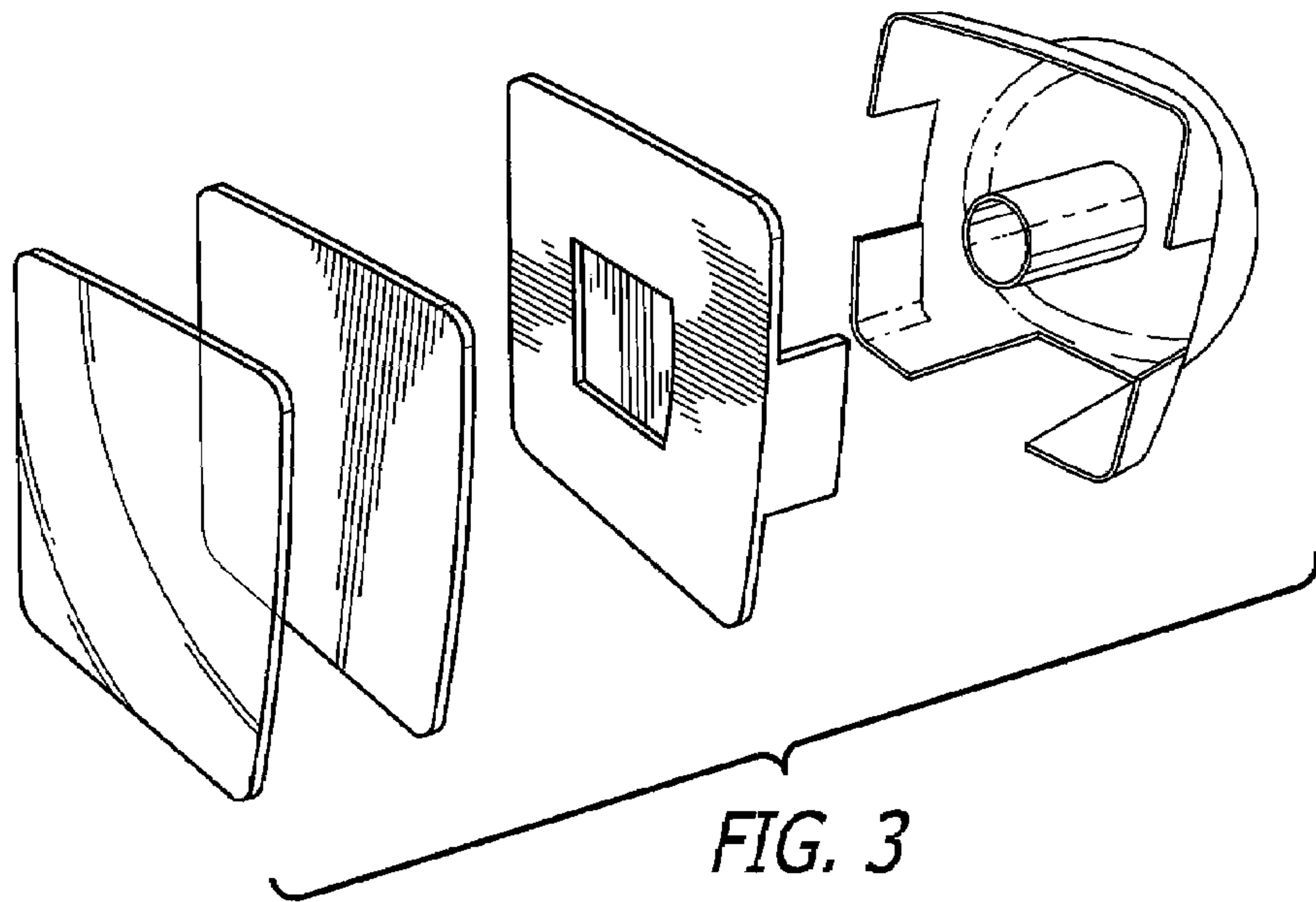


FIG. 3

