



US00D613538S

(12) **United States Design Patent**
Cattacin et al.

(10) **Patent No.:** **US D613,538 S**
(45) **Date of Patent:** **** Apr. 13, 2010**

(54) **PAPER DISPENSER**

7,287,720 B1 10/2007 Allegre et al.
D557,959 S * 12/2007 Pommier et al. D6/523

(75) Inventors: **Gilles Cattacin**, Colmar (FR); **Yoann Denis**, Colmar (FR); **Nicolas Pommier**, Colmar (FR)

(Continued)

(73) Assignee: **Georgia-Pacific France** (FR)

FOREIGN PATENT DOCUMENTS

(**) Term: **14 Years**

FR 2761252 A1 10/1998

(21) Appl. No.: **29/314,461**

(22) Filed: **Apr. 2, 2009**

(Continued)

(30) **Foreign Application Priority Data**

OTHER PUBLICATIONS

Oct. 8, 2008 (EM) 001017545

International Search Report for PCT/FR2005/001882, mail date Dec. 29, 2005.

(51) **LOC (9) Cl.** **23-02**

(52) **U.S. Cl.** **D6/523**

(58) **Field of Classification Search** D6/518-523;
242/570, 590, 598; 312/34.1; 206/389; 211/85.5
See application file for complete search history.

(Continued)

Primary Examiner—Brian N Vinson
(74) *Attorney, Agent, or Firm*—Joel T. Charlton

(56) **References Cited**

(57) **CLAIM**

U.S. PATENT DOCUMENTS

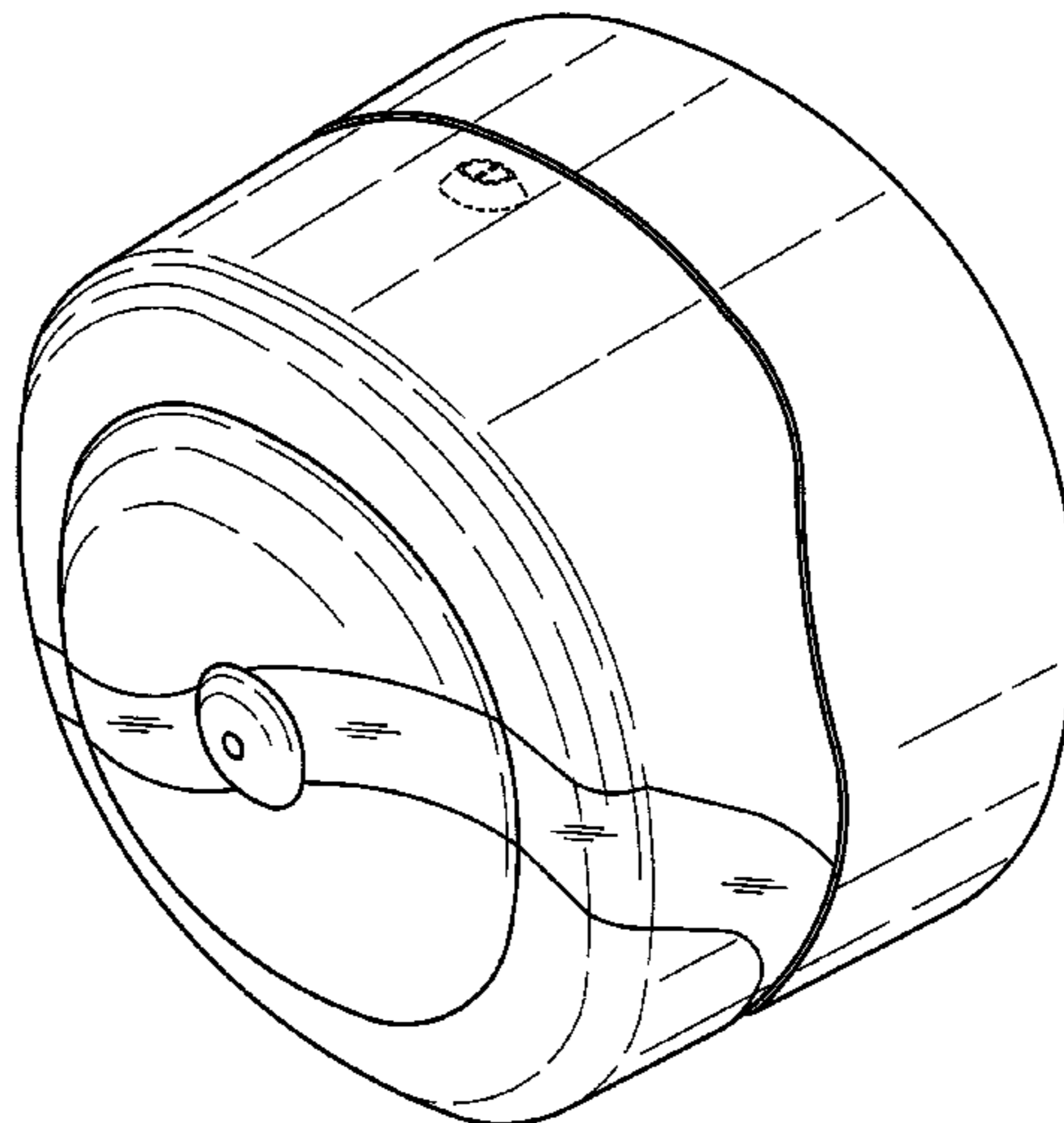
The ornamental design for a paper dispenser, as shown and described.

2,943,777 A	7/1960	Dvoracek	
3,973,695 A	8/1976	Ames	
5,215,211 A	6/1993	Eberle	
D356,707 S	3/1995	Morand	
D358,516 S *	5/1995	Chen D6/523
D363,628 S	10/1995	McCanless	
D386,922 S	12/1997	Sedlock	
5,785,274 A	7/1998	Johnson	
D399,084 S	10/1998	Tramontina	
D403,905 S	1/1999	Tramontina	
D426,412 S	6/2000	Cameron	
6,109,473 A	8/2000	Neveu et al.	
D436,774 S *	1/2001	Engelstein et al. D6/522
D441,231 S	5/2001	Purcell et al.	
D441,578 S	5/2001	Andersson	
6,328,252 B1	12/2001	Neveu et al.	
D458,490 S *	6/2002	Omdoll et al. D6/523
7,275,672 B2	10/2007	Haen et al.	

DESCRIPTION

FIG. 1 is a perspective view of the paper dispenser;
FIG. 2 is a front view of the paper dispenser;
FIG. 3 is a left side view of the paper dispenser;
FIG. 4 is a right side view of the paper dispenser;
FIG. 5 is a top view of the paper dispenser; and,
FIG. 6 is a bottom view of the paper dispenser.

1 Claim, 5 Drawing Sheets



US D613,538 S

Page 2

U.S. PATENT DOCUMENTS

7,370,826 B2 5/2008 Neveu
D605,444 S 12/2009 Marietta-Tondin
2003/0066925 A1 4/2003 Gerhardt et al.
2008/0128448 A1 6/2008 Cittadino et al.

FOREIGN PATENT DOCUMENTS

GB 2063213 A 6/1981

GB 2308114 A 6/1997

OTHER PUBLICATIONS

Written Opinion of the International Search Authority for PCT/FR2005/001882 together with its English translation.

International Search Report for PCT/FR2006/002473 that issued Apr. 18, 2007.

Written Opinion of the International Search Authority for PCT/FR2006/002473 together with its English translation.

* cited by examiner

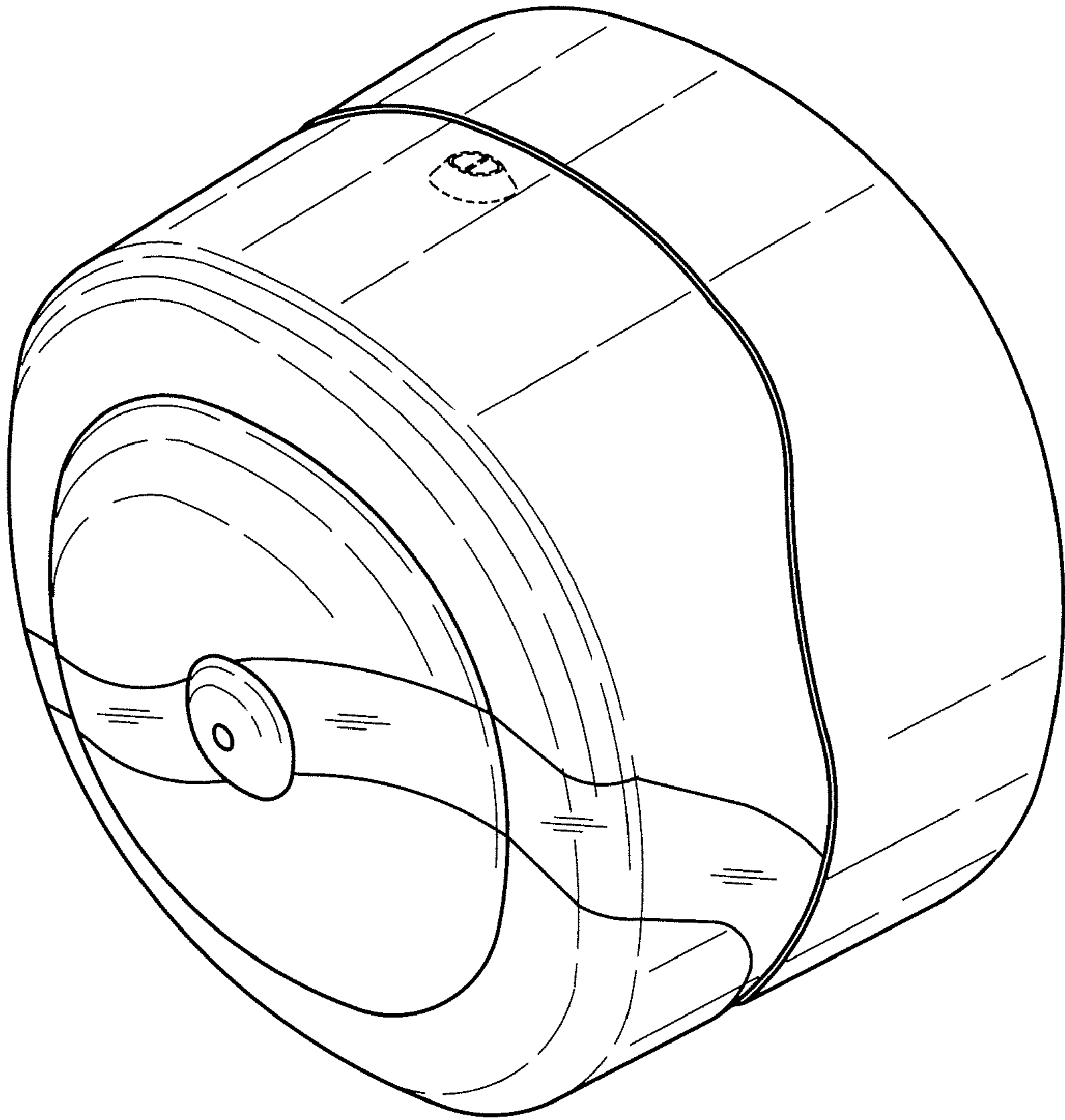


Fig. 1

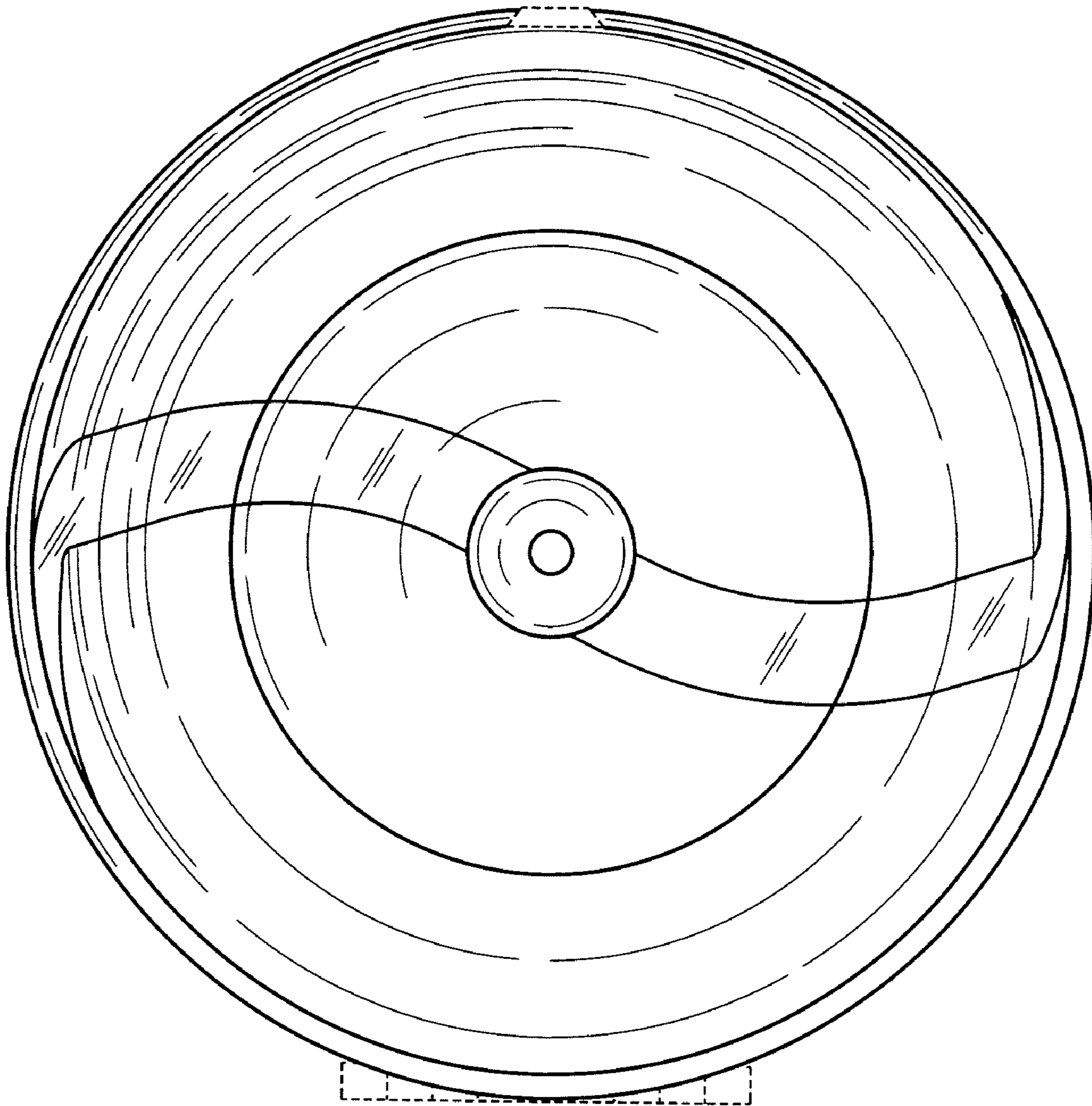


Fig. 2

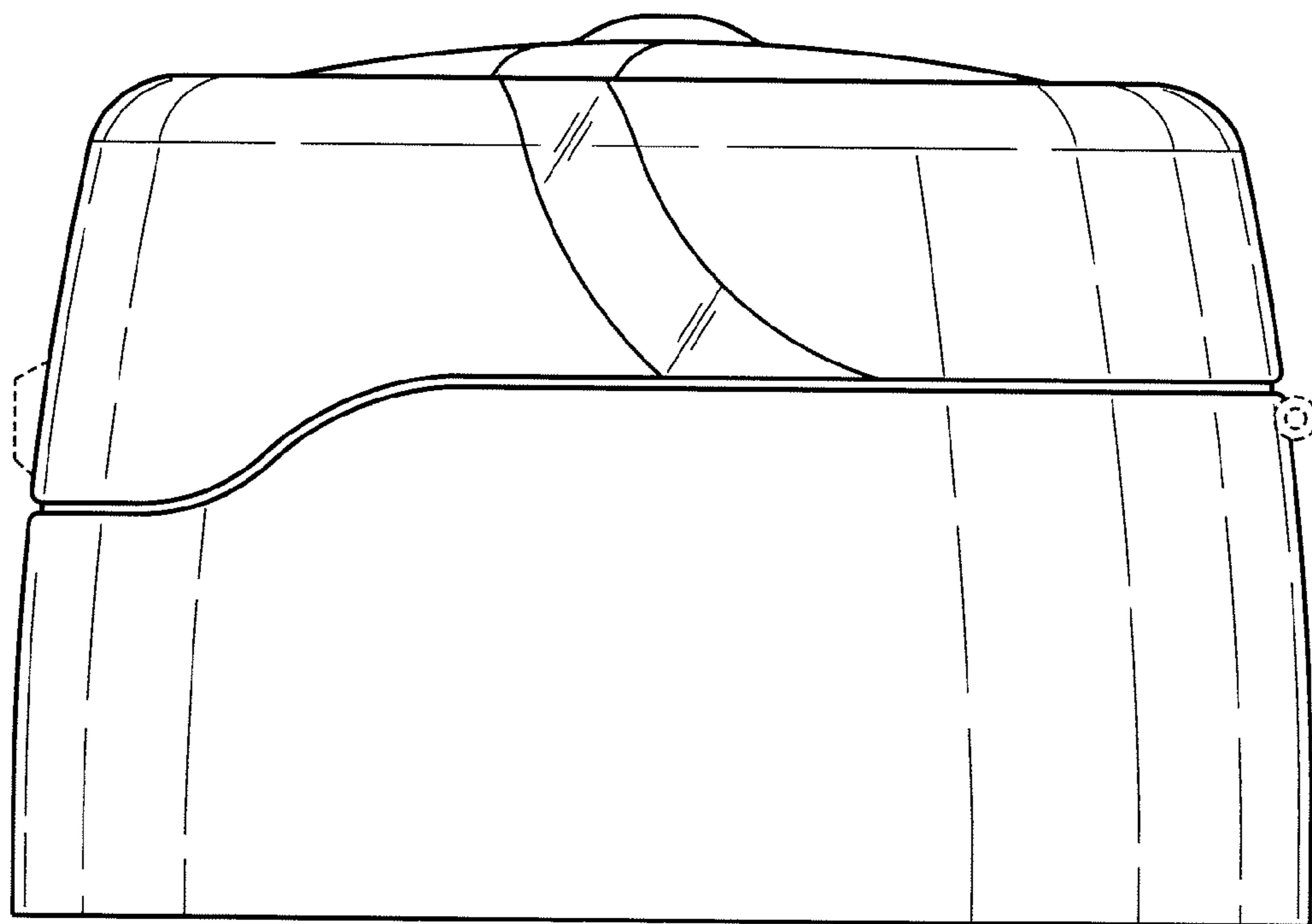


Fig. 3

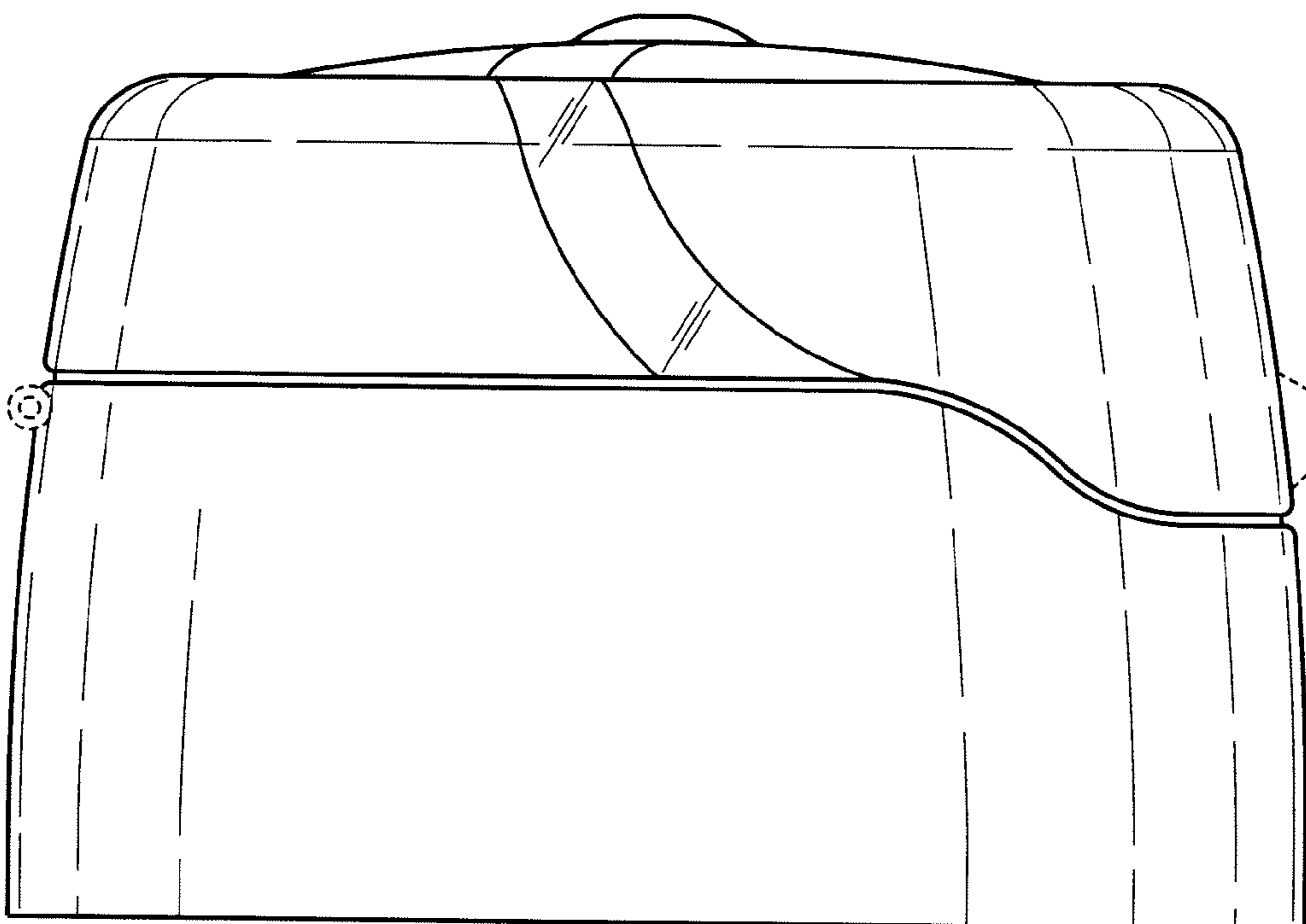


Fig. 4

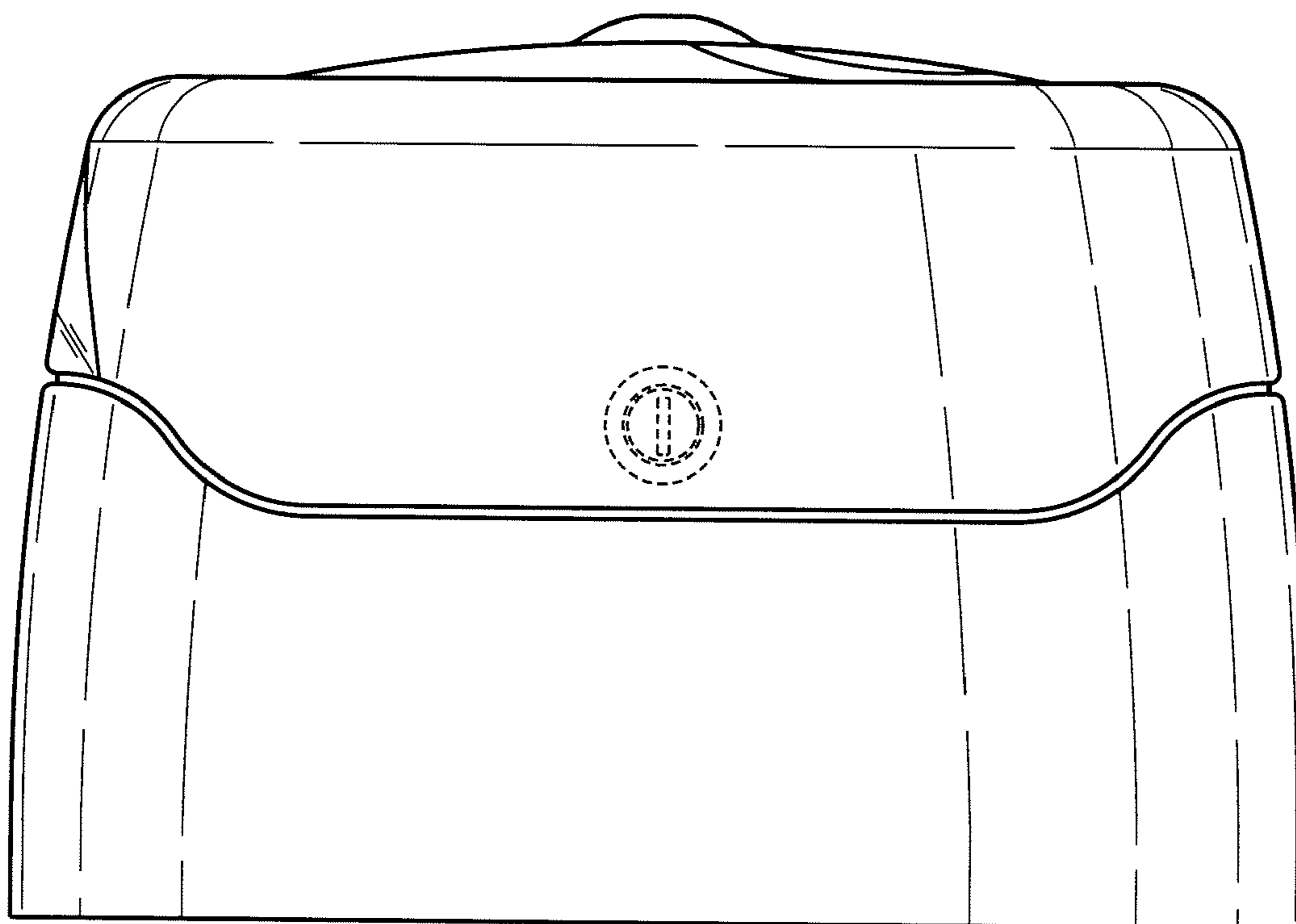


Fig. 5

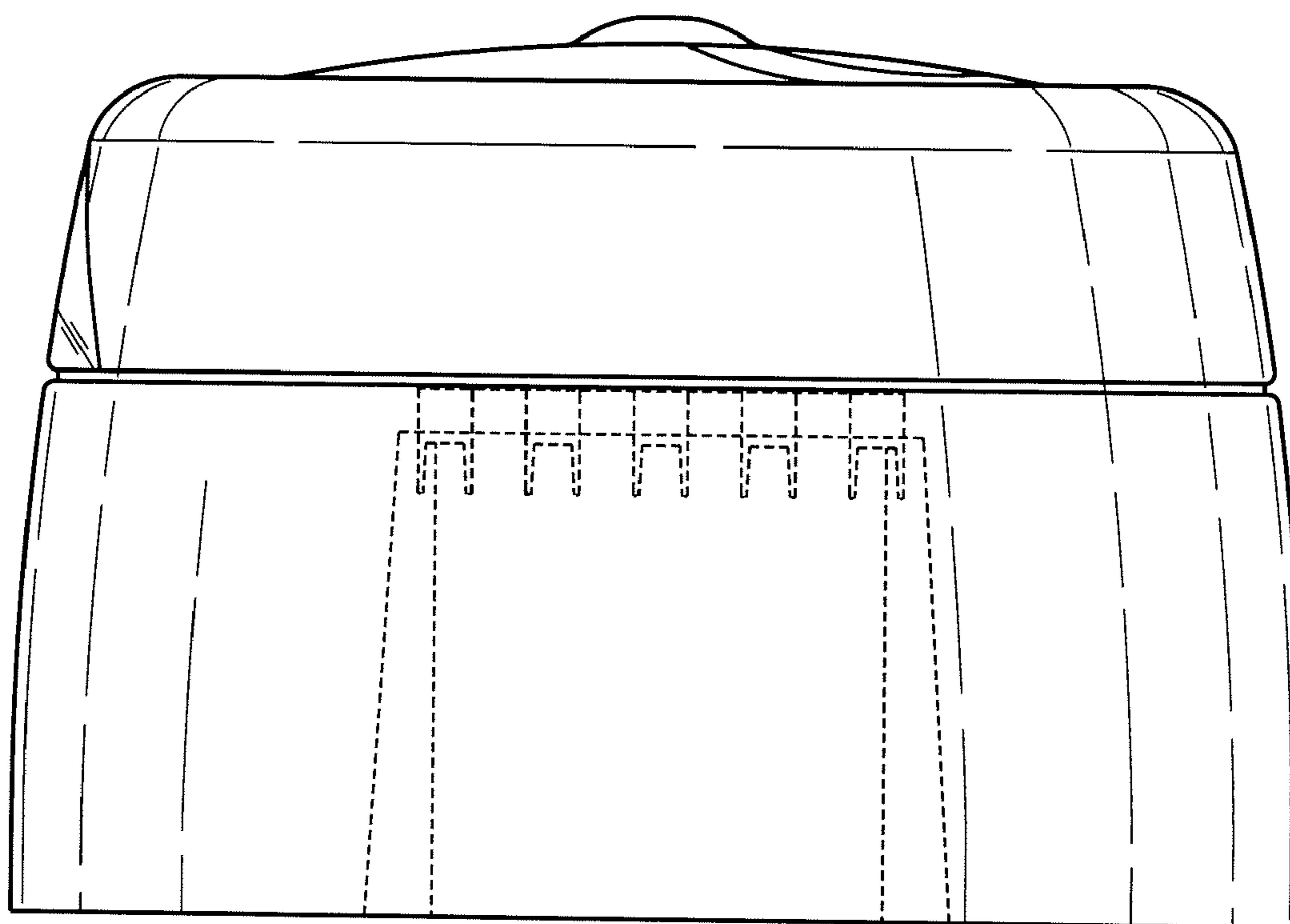


Fig. 6