



US00D613537S

(12) **United States Design Patent**  
**Pattberg**

(10) **Patent No.:** **US D613,537 S**

(45) **Date of Patent:** **\*\* Apr. 13, 2010**

(54) **TOILET PAPER DISPENSER**

(75) Inventor: **Jens Pattberg**, Ebenhausen (DE)

(73) Assignee: **HTS International Trading AG**, Baar (CH)

(\*\*) Term: **14 Years**

(21) Appl. No.: **29/333,735**

(22) Filed: **Mar. 13, 2009**

**Related U.S. Application Data**

(62) Division of application No. 29/299,687, filed on Jan. 2, 2008, now Pat. No. Des. 595,523.

(51) **LOC (9) Cl.** ..... **20-02**

(52) **U.S. Cl.** ..... **D6/520**

(58) **Field of Classification Search** ..... D6/515-523;  
206/389; 242/560, 570, 590, 598; 221/282-283;  
248/34.8

See application file for complete search history.

(56) **References Cited**

**U.S. PATENT DOCUMENTS**

D508,354 S	*	8/2005	D'Agostino	.....	D6/520
D550,999 S	*	9/2007	Formon et al.	.....	D6/518
D564,267 S	*	3/2008	Tomic et al.	.....	D6/518
D572,514 S	*	7/2008	Bickler et al.	.....	D6/518
D578,329 S	*	10/2008	Wells et al.	.....	D6/518

\* cited by examiner

*Primary Examiner*—Brian N Vinson

(74) *Attorney, Agent, or Firm*—Rankin, Hill & Clark LLP

(57) **CLAIM**

The ornamental design for the toilet paper dispenser, as shown and described.

**DESCRIPTION**

FIG. 1 is a perspective view of a toilet paper dispenser of the present invention.

FIG. 2 is a front view of the toilet paper dispenser of the present invention.

FIG. 3 is a left side view of the toilet paper dispenser of the present invention.

FIG. 4 is a right side view of the toilet paper dispenser of the present invention.

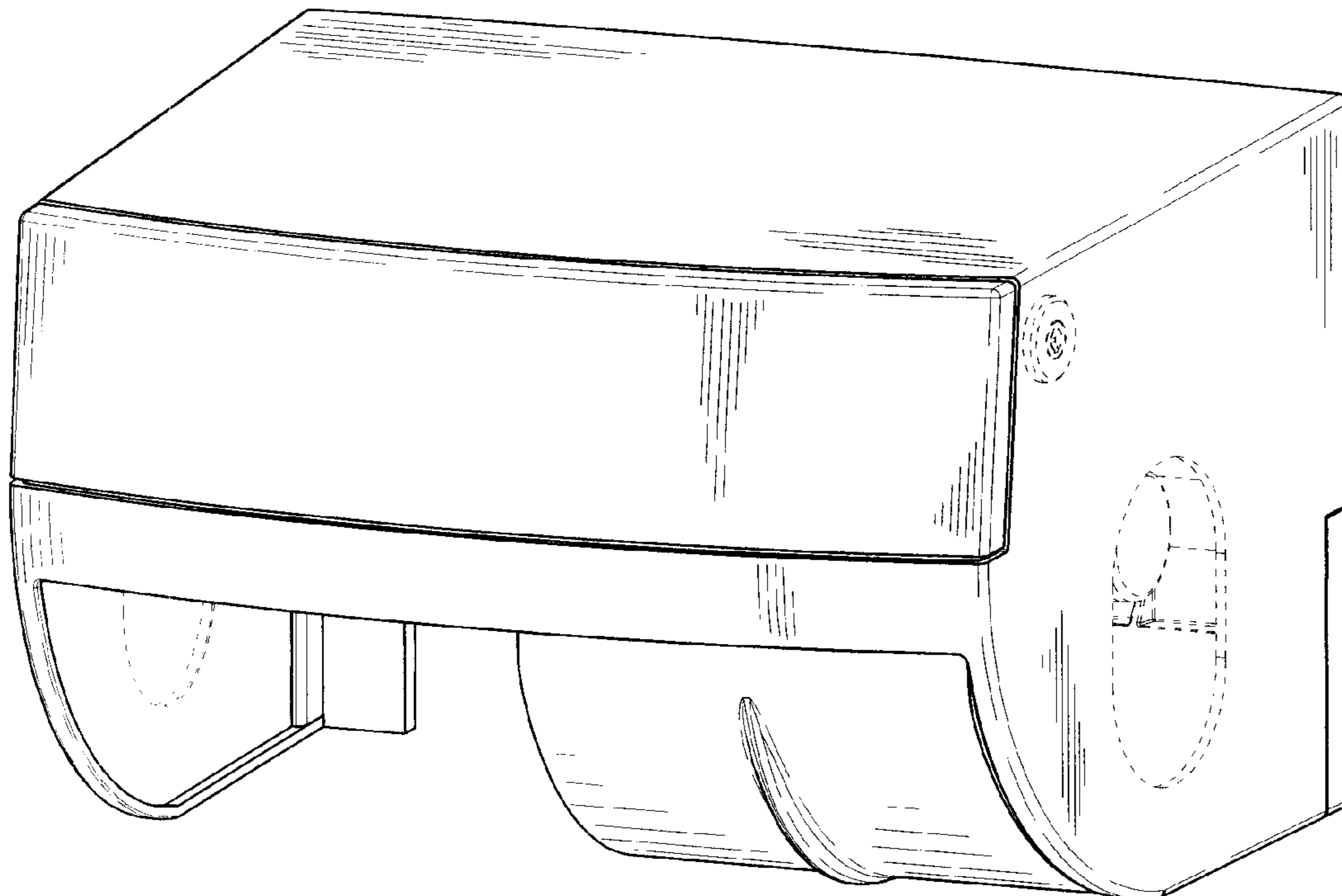
FIG. 5 is a top view of the toilet paper dispenser of the present invention.

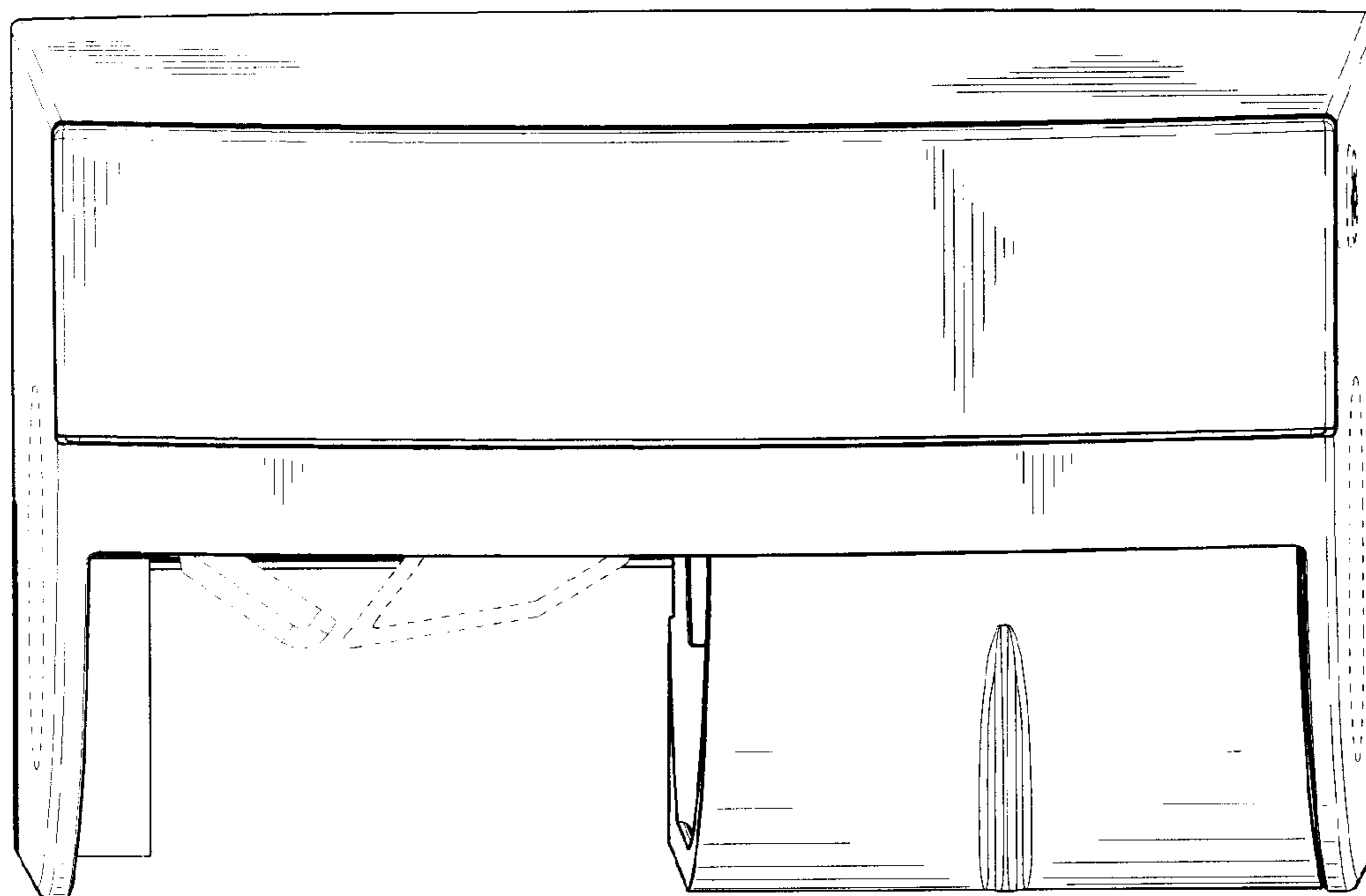
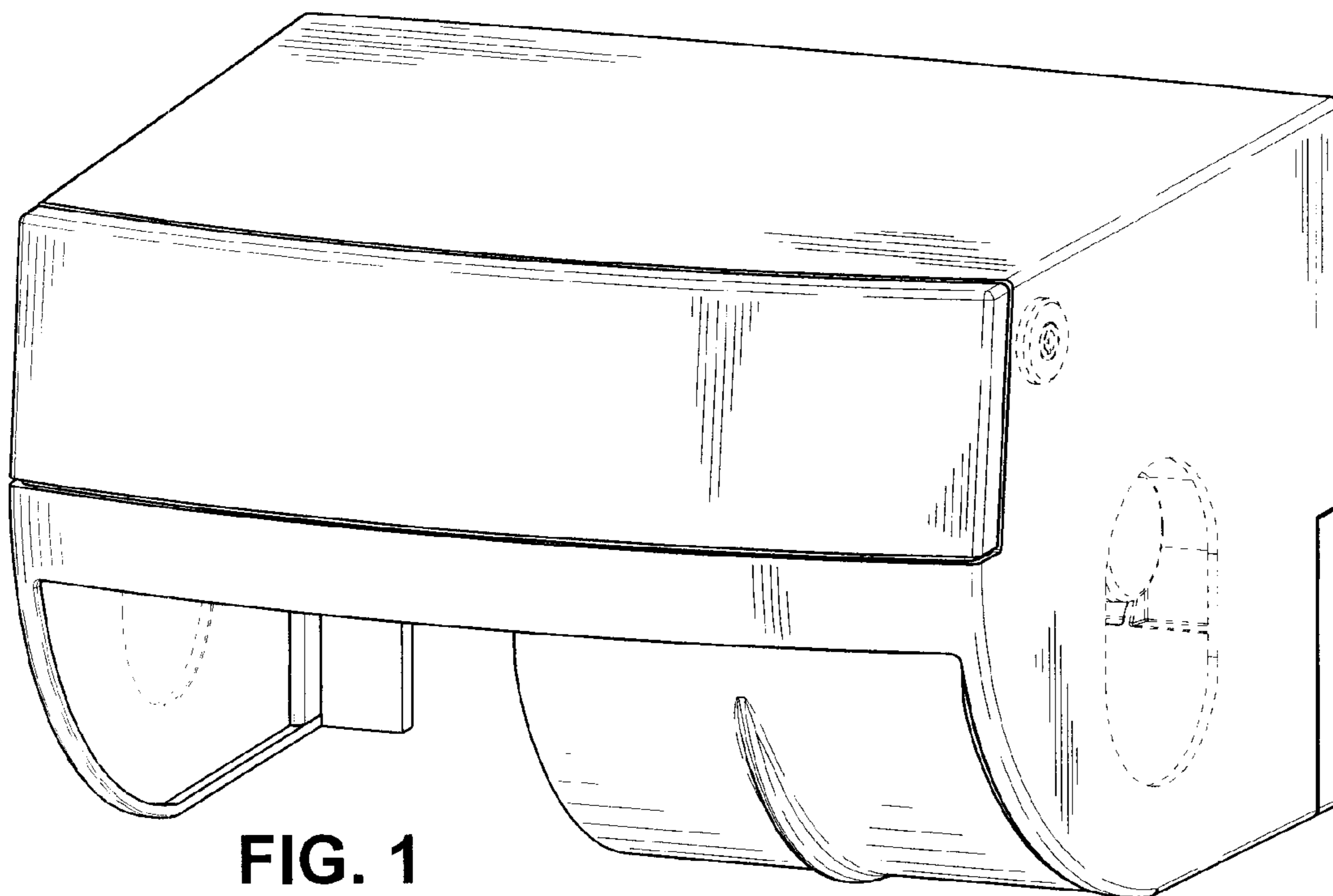
FIG. 6 is a bottom view of the toilet paper dispenser of the present invention; and,

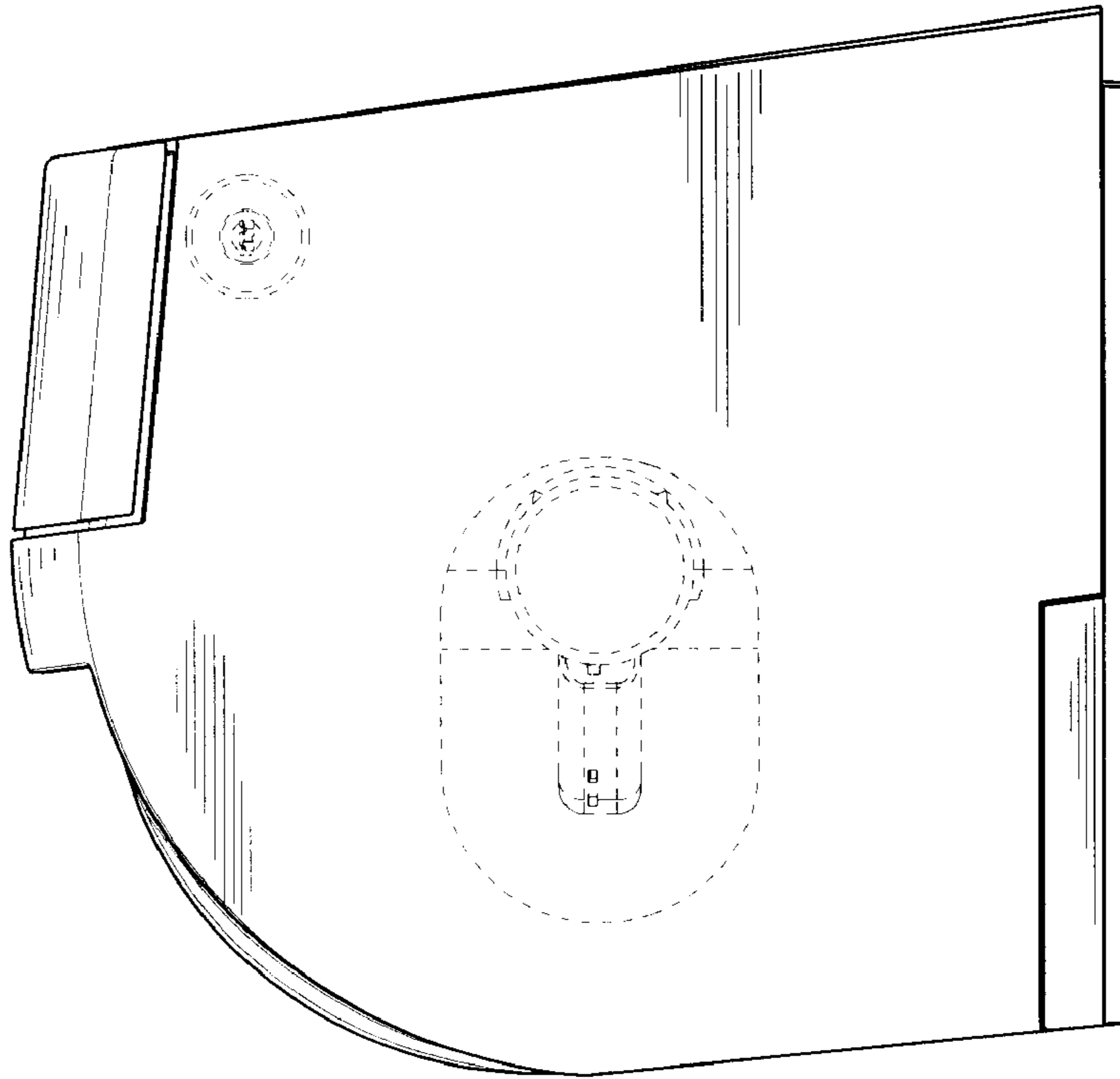
FIG. 7 is a rear view of the toilet paper dispenser of the present invention.

The broken-line disclosure in the views is understood to represent portions of the article in which the claimed design is embodied, but which form no part of the claimed design. Where a broken-line abuts a claimed surface, that broken line is understood to represent an unclaimed boundary between claimed and unclaimed surfaces.

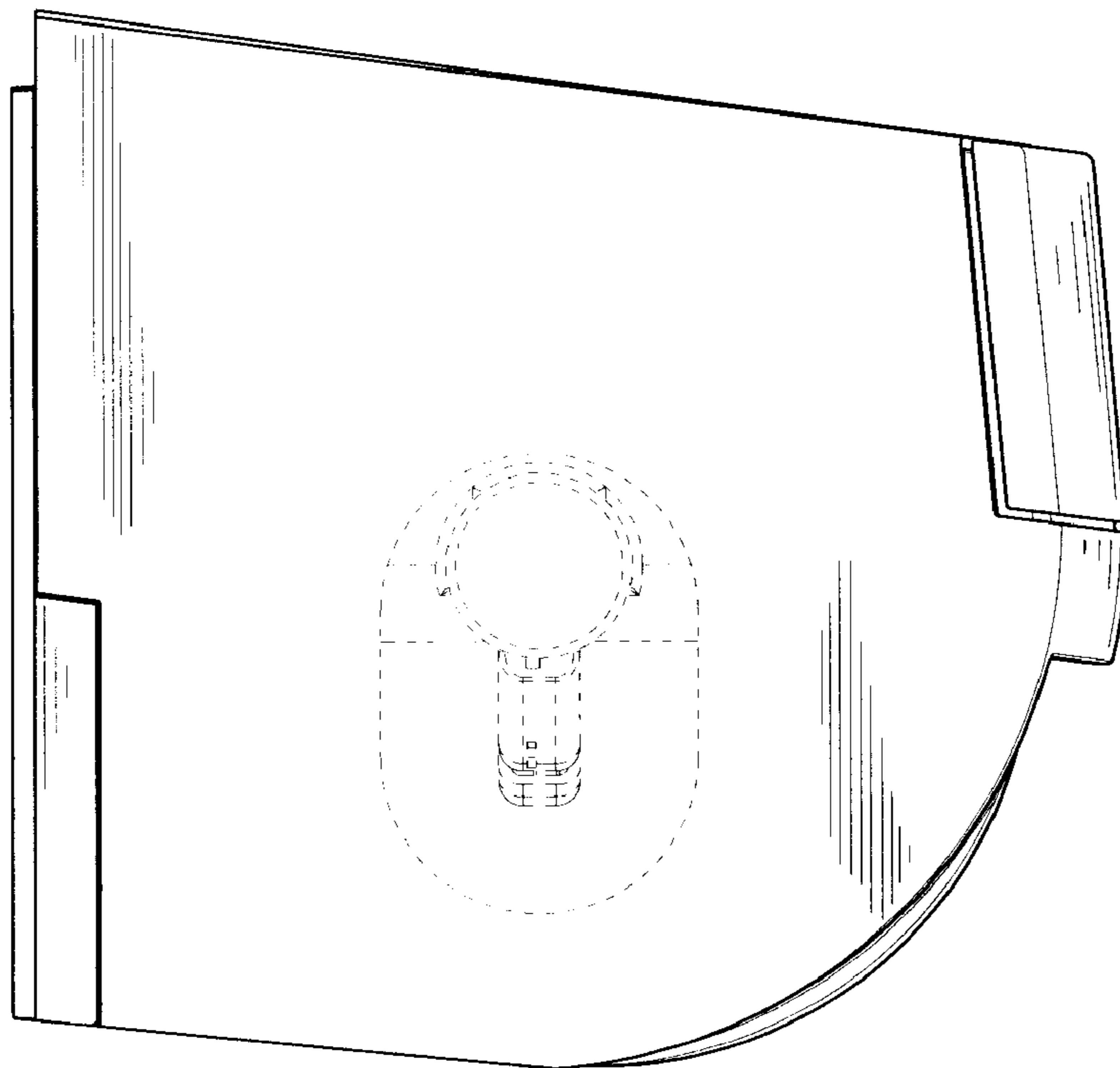
**1 Claim, 4 Drawing Sheets**







**FIG. 3**



**FIG. 4**

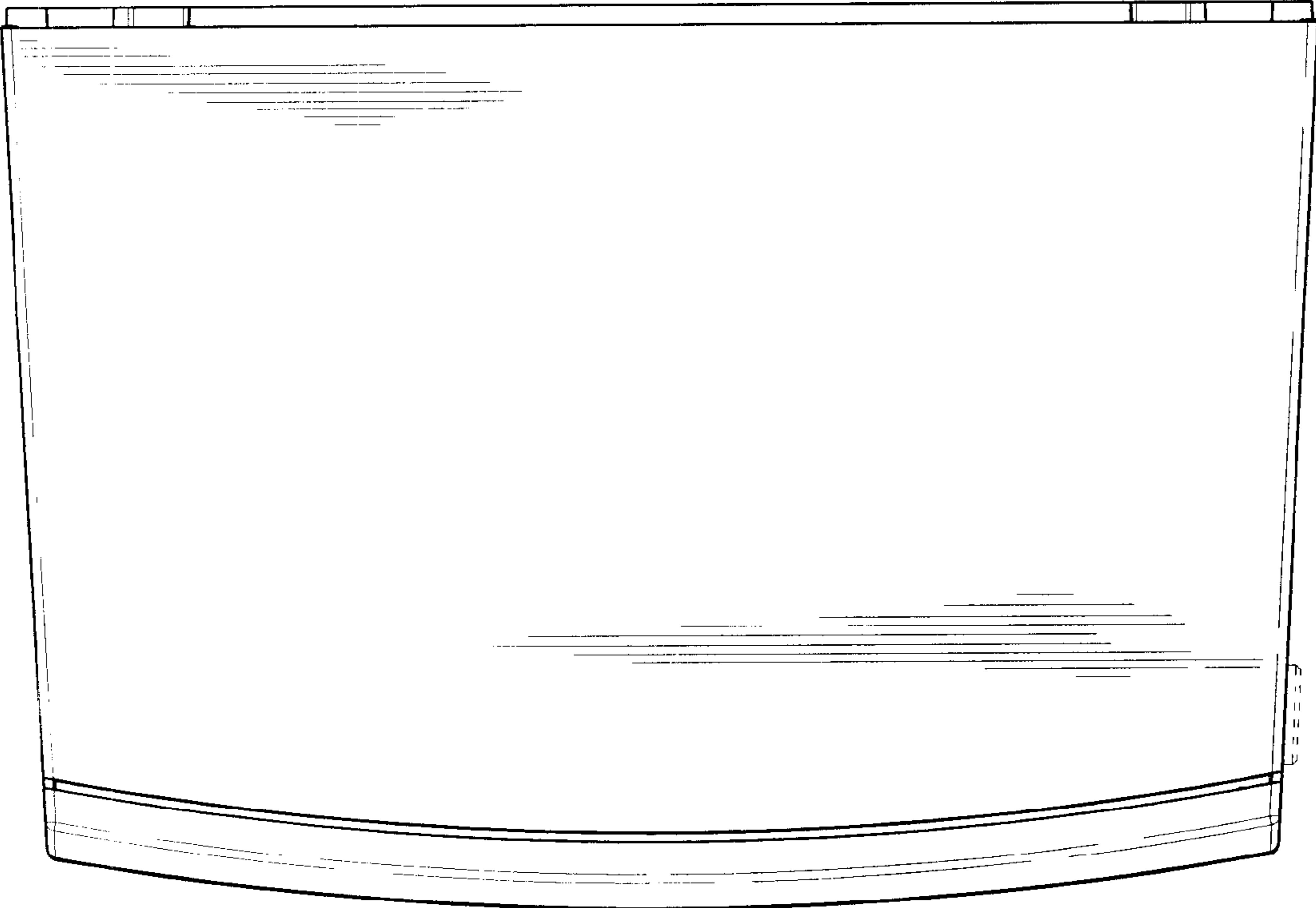


FIG. 5

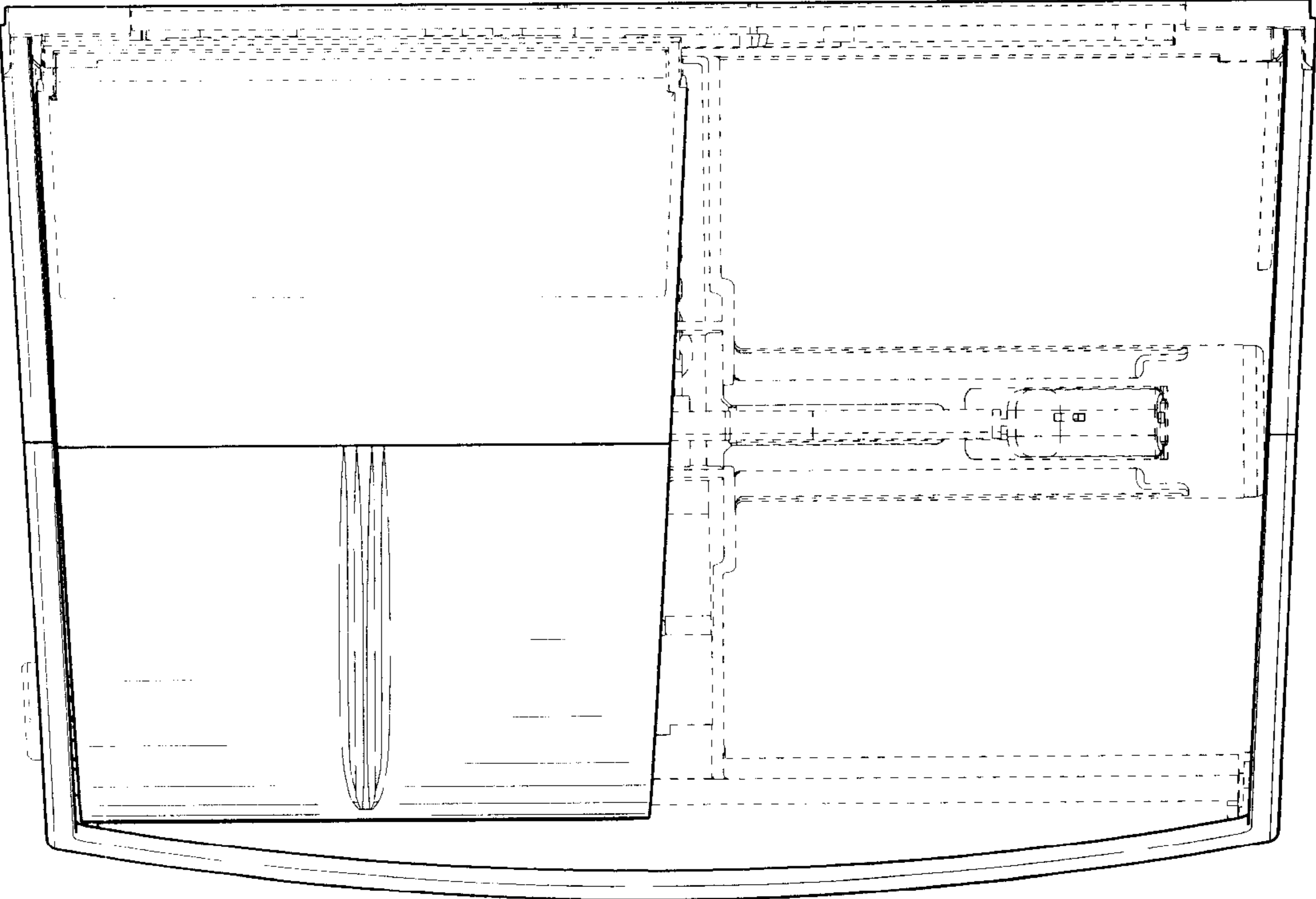


FIG. 6

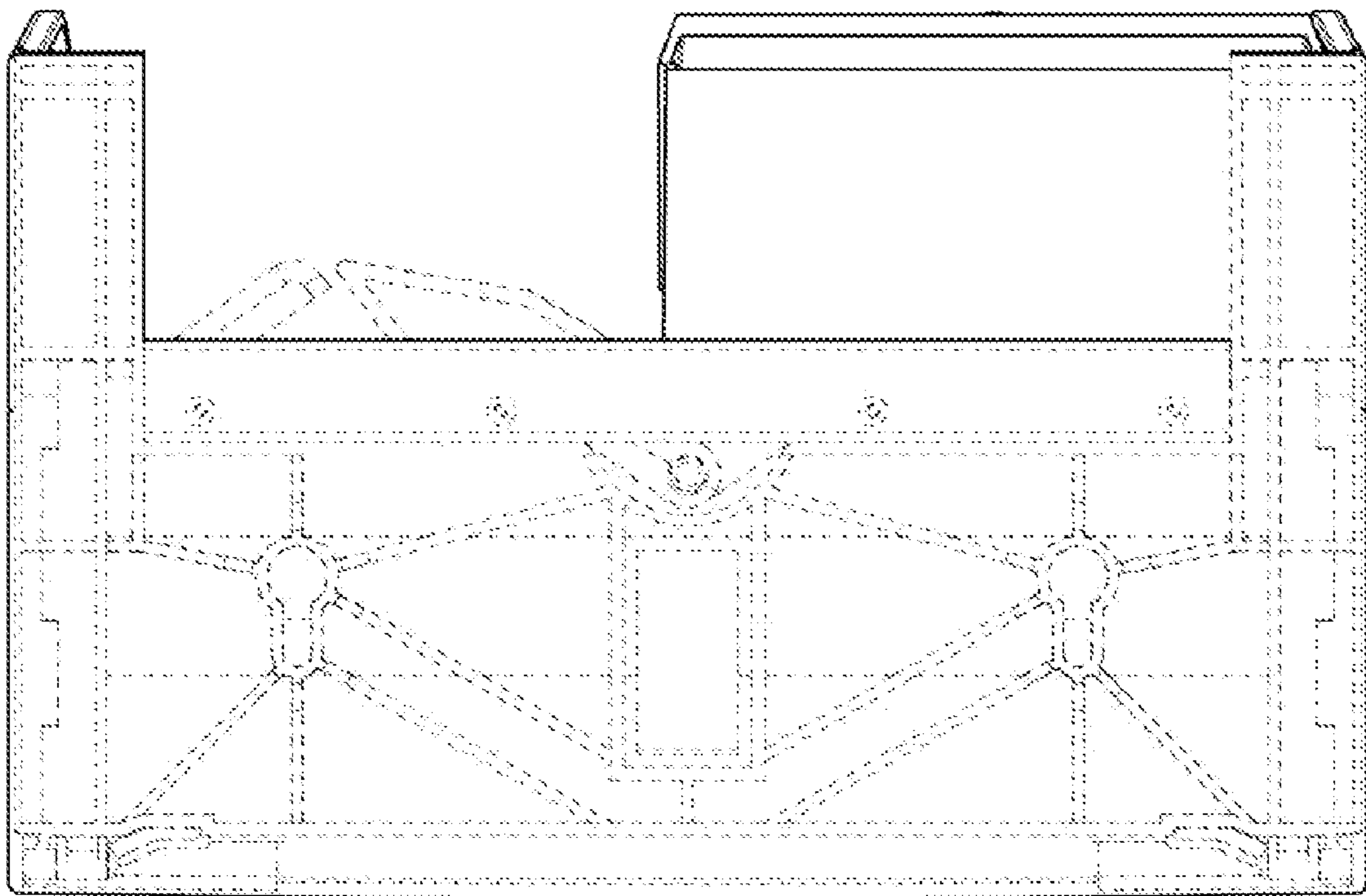


FIG. 7