



US00D613535S

(12) **United States Design Patent**
Everson

(10) **Patent No.:** **US D613,535 S**

(45) **Date of Patent:** **** Apr. 13, 2010**

(54) **DRAWER FACE**

(75) Inventor: **Terry A. Everson**, Blair, WI (US)

(73) Assignee: **Ashley Furniture Industries, Inc.**,
Arcadia, WI (US)

(**) Term: **14 Years**

(21) Appl. No.: **29/313,622**

(22) Filed: **Jan. 27, 2009**

(51) **LOC (9) Cl.** **06-06**

(52) **U.S. Cl.** **D6/510**

(58) **Field of Classification Search** D6/510,
D6/441, 446, 509, 511, 396, 432, 436-439;
211/27; 312/109, 199, 348.4, 352, 330.1,
312/140.1, 249.4; D3/297, 304, 307, 319;
D8/300; D24/183; D14/125, 355

See application file for complete search history.

(56) **References Cited**

U.S. PATENT DOCUMENTS

- D285,395 S * 9/1986 Case et al. D6/494
- D390,733 S * 2/1998 Brunner et al. D6/510
- D398,186 S 9/1998 Zaidman
- D404,945 S * 2/1999 Simpkins et al. D6/510
- D407,238 S 3/1999 Zaidman
- D407,239 S 3/1999 Zaidman
- D417,571 S * 12/1999 Teufel et al. D6/510
- D444,004 S 6/2001 Draheim et al.
- D444,319 S 7/2001 Draheim et al.
- D447,647 S 9/2001 Draheim et al.
- D449,465 S 10/2001 Tabbia
- D458,780 S * 6/2002 Siepmann et al. D6/510
- D485,098 S 1/2004 Harris
- D488,640 S 4/2004 Domack
- D493,043 S 7/2004 Juneau et al.
- D502,821 S 3/2005 Mohundro
- D503,564 S 4/2005 Juneau et al.
- D504,259 S * 4/2005 Arceta D6/510

- D504,260 S * 4/2005 Arceta D6/510
- D511,055 S 11/2005 Draheim
- D511,061 S * 11/2005 Ben-Or D6/510
- D511,254 S 11/2005 Draheim
- D511,908 S 11/2005 Prillaman et al.
- D523,258 S 6/2006 De Blaay

(Continued)

OTHER PUBLICATIONS

Ashley Product Catalog Spring 2005, Gemini B193-46, p. 69, vol. 7, Series 1, Ashley® Furniture industries, Inc.

Ashley Product Catalog Spring 2005, Tranquility B209-21-26-46-57-92, p. 75, vol. 7, Series 1, Ashley® Furniture industries, Inc.

(Continued)

Primary Examiner—Caron Veynar

Assistant Examiner—Abraham Bahta

(74) *Attorney, Agent, or Firm*—Patterson, Thunte, Skaar & Christensen, P.A.

(57) **CLAIM**

I claim the ornamental design for drawer face, as shown and described.

DESCRIPTION

FIG. 1 is a front elevational view of the drawer face showing my new design;

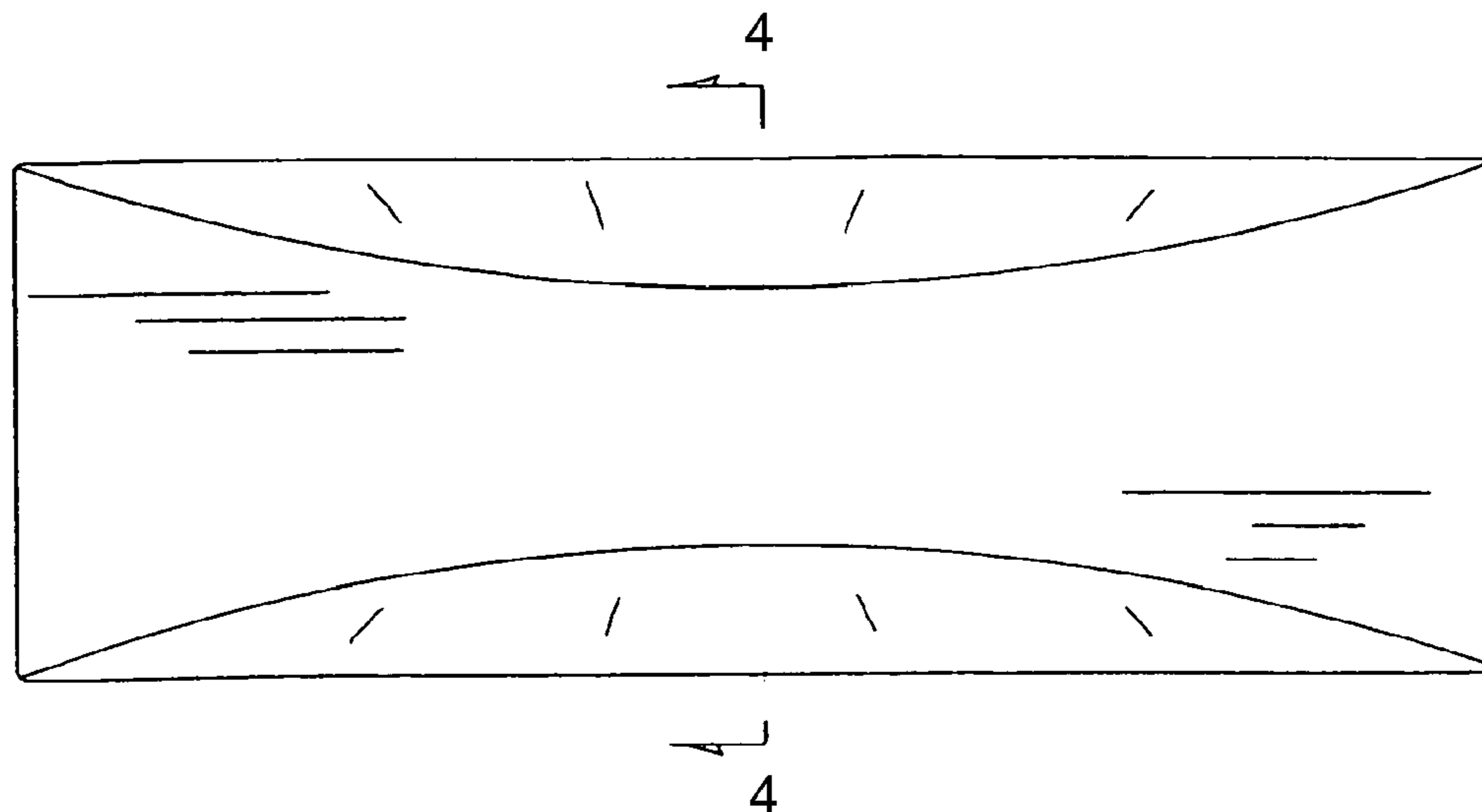
FIG. 2 is a right side elevational view, the opposite side being a mirror image thereof;

FIG. 3 is a top plan view, the opposite side being a mirror image thereof; and,

FIG. 4 is a cross-sectional view taken along line 4—4 in FIG. 1.

The cross-sectional views are intended only for depicting the surface of the drawer face, the interior of the panel forming no part of the claimed invention. The backside of the drawer face is not shown and forms no part of the claimed invention.

1 Claim, 1 Drawing Sheet



US D613,535 S

Page 2

U.S. PATENT DOCUMENTS

D555,935 S 11/2007 Domack et al.
D564,790 S 3/2008 Draheim
D568,633 S 5/2008 Domack et al.
D587,932 S 3/2009 Domack et al.
D588,836 S 3/2009 Everson et al.
D600,957 S * 9/2009 Welch D6/510

OTHER PUBLICATIONS

Ashley Product Catalog Spring 2005, Serengeti B488-31-36, p. 437, vol. 7, Series 1, Ashley® Furniture industries, Inc.
Ashley Product Catalog Spring 2003, Solutions B230-46, p. 56, vol. 5, Series 1, Ashley® Furniture industries, Inc.
Ashley Product Catalog 2004, Affinity B200-46, p. 57, vol. 6, Series 1, Ashley® Furniture industries, Inc.
* cited by examiner

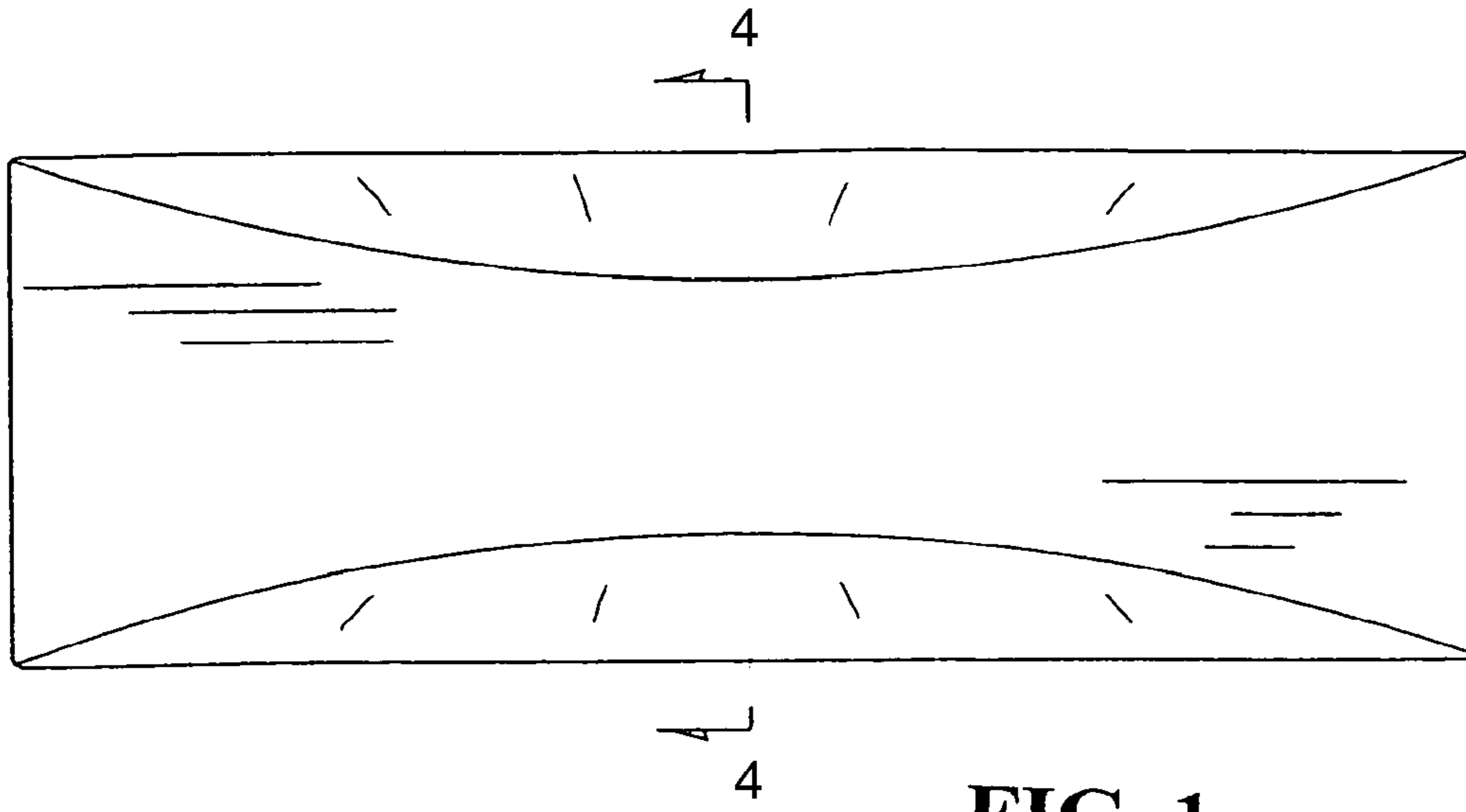


FIG. 1

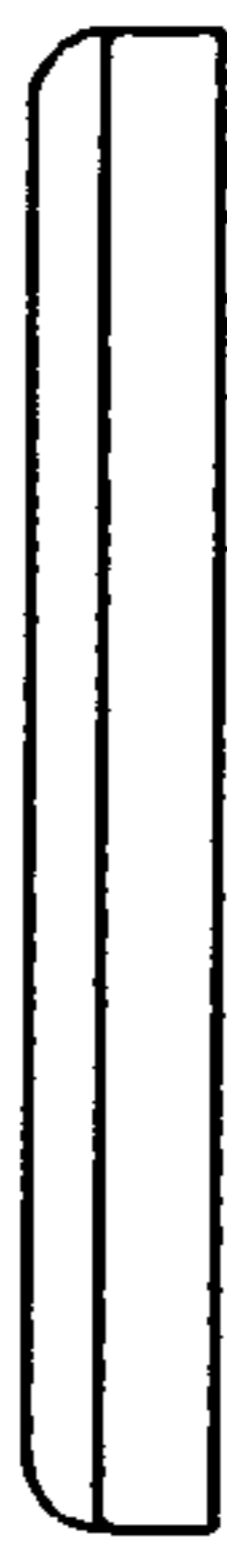


FIG. 2



FIG. 4

FIG. 3

