



US00D613534S

(12) **United States Design Patent**
Nordstrom

(10) **Patent No.:** **US D613,534 S**
(45) **Date of Patent:** **** Apr. 13, 2010**

(54) **PORTION OF A CHAIR BACK FOR DENTAL PATIENTS**

3,177,036 A 4/1965 Halter

(Continued)

(75) Inventor: **Carl G. Nordstrom**, Lake Oswego, OR (US)

FOREIGN PATENT DOCUMENTS

DE 3125312 1/1983

(Continued)

(73) Assignee: **A-dec, Inc.**, Newberg, OR (US)

OTHER PUBLICATIONS

(**) Term: **14 Years**

New Scandinavian Technology.

(21) Appl. No.: **29/342,972**

(Continued)

(22) Filed: **Sep. 3, 2009**

Primary Examiner—Mimosa De

(74) *Attorney, Agent, or Firm*—Klarquist Sparkman, LLP

Related U.S. Application Data

(63) Continuation of application No. 11/982,891, filed on Nov. 5, 2007, which is a continuation of application No. 10/855,031, filed on May 26, 2004, now Pat. No. 7,290,836.

(57) **CLAIM**

I claim the ornamental design for a portion of a chair back for dental patients, as shown and described.

(51) **LOC (9) Cl.** **06-01**

(52) **U.S. Cl.** **D6/502; D6/367**

(58) **Field of Classification Search** D6/334-336, D6/360, 361, 365, 367, 379, 500-502; D24/178, D24/183; 297/188.01, 316, 300.1, 330, 391, 297/344.15, 344.17, 409
See application file for complete search history.

DESCRIPTION

FIG. 1 is a front perspective view of a portion of a chair back for dental patients.

FIG. 2 is a rear perspective view of the portion of the chair back of FIG. 1.

FIG. 3 is a top view of the portion of the chair back of FIG. 1.

FIG. 4 is a right-side elevational view of the portion of the chair back of FIG. 1. The left-side elevational view is omitted as being a mirror image of the right-side elevational view.

FIG. 5 is a front perspective view of the portion of the chair back for dental patients shown in the context of an exemplary dental chair.

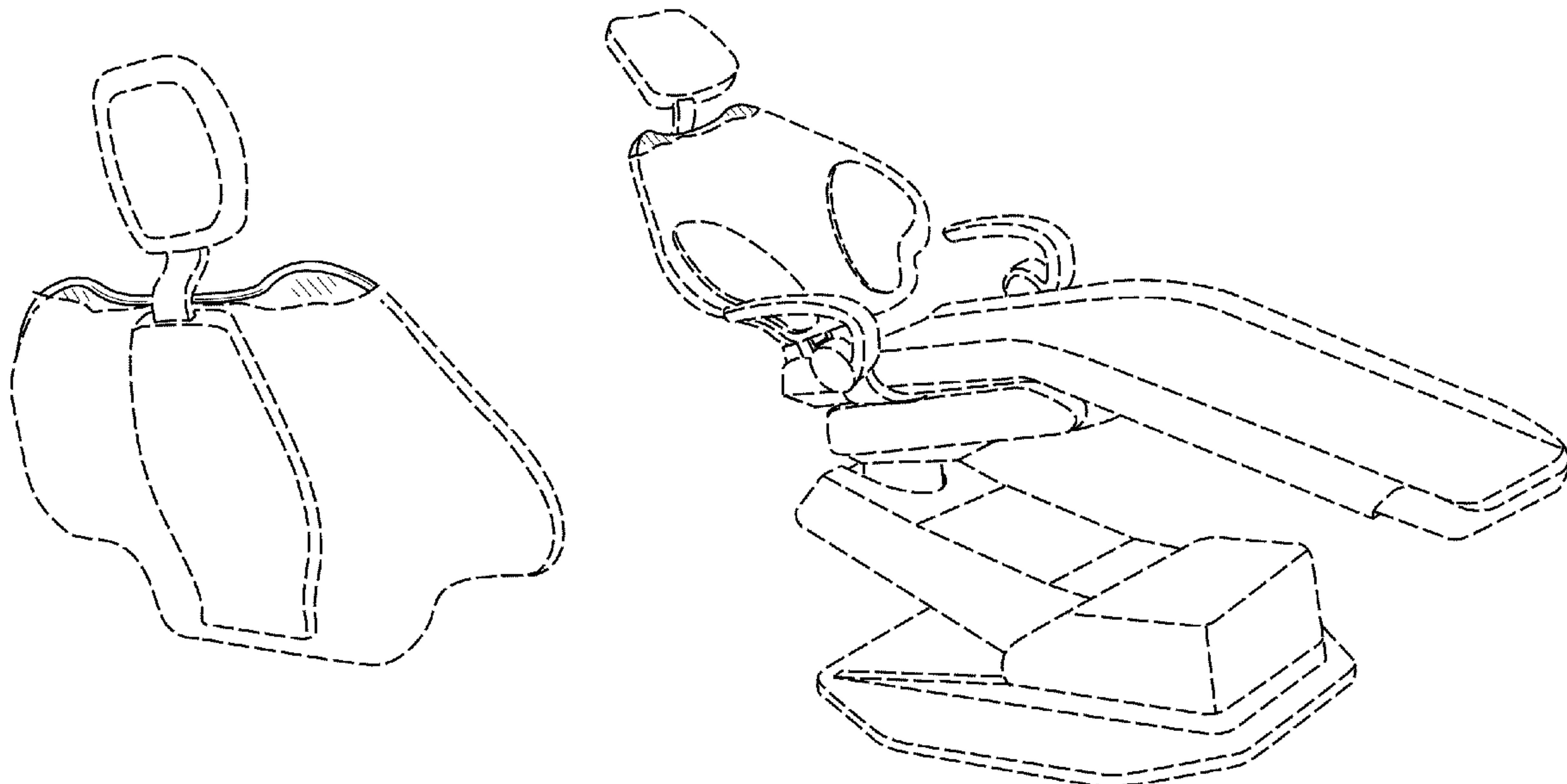
The broken lines in the Figures are for illustrative purposes only and form no part of the claimed design. Additionally, the bottom view is omitted as being devoid of surface ornamentation.

(56) **References Cited**

U.S. PATENT DOCUMENTS

1,210,223 A	12/1916	Silbert	
1,685,599 A	9/1928	Fletcher	
2,172,063 A	9/1939	Hara	
2,278,890 A	4/1942	May	
2,449,385 A	9/1948	Johnson et al.	
2,466,553 A	4/1949	McDonald et al.	
2,832,397 A	4/1958	Premo	
2,985,228 A *	5/1961	Golden	297/409
3,172,699 A *	3/1965	Naughton	297/330

1 Claim, 1 Drawing Sheet



US D613,534 S

Page 2

U.S. PATENT DOCUMENTS

3,454,303	A	7/1969	Dangauthier	
3,596,982	A	8/1971	Grams	
3,713,697	A	1/1973	Koepke	
3,722,950	A	3/1973	Harnick	
3,729,227	A *	4/1973	Ohta	297/391
3,819,232	A	6/1974	Wagner	
3,860,286	A	1/1975	Rasmussen	
3,866,973	A *	2/1975	Heubeck	297/316
3,874,728	A *	4/1975	Weiland	297/330
3,968,990	A	7/1976	Heubeck	
4,000,925	A	1/1977	Doerr et al.	
4,007,962	A	2/1977	Müller-Deisig	
4,032,190	A	6/1977	Müller-Deisig et al.	
4,099,774	A	7/1978	Sandham	
RE29,811	E	10/1978	Norris	
D260,703	S *	9/1981	Pearson	D6/361
4,368,917	A	1/1983	Urai	
D268,149	S *	3/1983	Case	D6/361
4,377,308	A	3/1983	Pisanu	
4,500,137	A	2/1985	Morehouse	
4,556,254	A	12/1985	Roberts	
4,557,521	A	12/1985	Lange	
4,639,042	A	1/1987	Lange	
4,657,297	A	4/1987	Ishibashi	
4,712,835	A	12/1987	Völkle	
4,836,609	A	6/1989	Hill	
4,856,845	A	8/1989	Massonnet	
4,856,846	A	8/1989	Lohmeyer	
4,929,023	A *	5/1990	Rasmussen	297/330
5,007,678	A	4/1991	DeKraker	
D333,736	S	3/1993	Nordstrom	
5,190,349	A	3/1993	Austin, Jr. et al.	
5,267,778	A *	12/1993	Krebs et al.	297/330
5,286,083	A	2/1994	Mattison	
D347,946	S	6/1994	Nordstrom et al.	
D351,742	S	10/1994	Phleps et al.	
5,403,067	A	4/1995	Rajaratnam	
D361,438	S	8/1995	Spencer et al.	
5,489,145	A	2/1996	Van Hekken	

5,520,441	A	5/1996	Citton	
5,522,645	A	6/1996	Dahlbacka	
5,577,811	A	11/1996	Ogg	
D378,961	S	4/1997	Nordstrom et al.	
5,624,158	A	4/1997	Adat et al.	
5,628,546	A	5/1997	Boetzkes	
5,730,497	A	3/1998	Raymond et al.	
5,806,930	A	9/1998	Knoblock	
5,836,653	A	11/1998	Albecker	
5,842,264	A	12/1998	Roossien et al.	
5,868,466	A	2/1999	Massara et al.	
5,934,758	A	8/1999	Ritch et al.	
5,938,284	A	8/1999	Coffield	
5,992,934	A	11/1999	Gehrig et al.	
6,027,171	A	2/2000	Partington et al.	
6,155,647	A	12/2000	Albecker, III	
D462,189	S *	9/2002	Brockway et al.	D6/367
6,447,062	B1	9/2002	Jaekel et al.	
6,758,522	B2	7/2004	Ligon et al.	
6,802,564	B2	10/2004	Brockway et al.	
6,893,096	B2	5/2005	Bonn et al.	
7,032,971	B2	4/2006	Williams	
7,032,975	B2	4/2006	Hummeler et al.	
D525,443	S *	7/2006	Takahashi	D6/367
7,216,936	B2	5/2007	Peterson	
7,240,966	B2	7/2007	Stone et al.	
D565,315	S *	4/2008	Nielsen	D6/367
2005/0127724	A1 *	6/2005	Irwin et al.	297/188.01

FOREIGN PATENT DOCUMENTS

DE	3710205	10/1987
GB	1377666	12/1974
JP	58109051	6/1983
JP	63130065	6/1988

OTHER PUBLICATIONS

Product Literature, A-dec Inc. "Experience A-DEC 500," 12 pp. (2004).

* cited by examiner

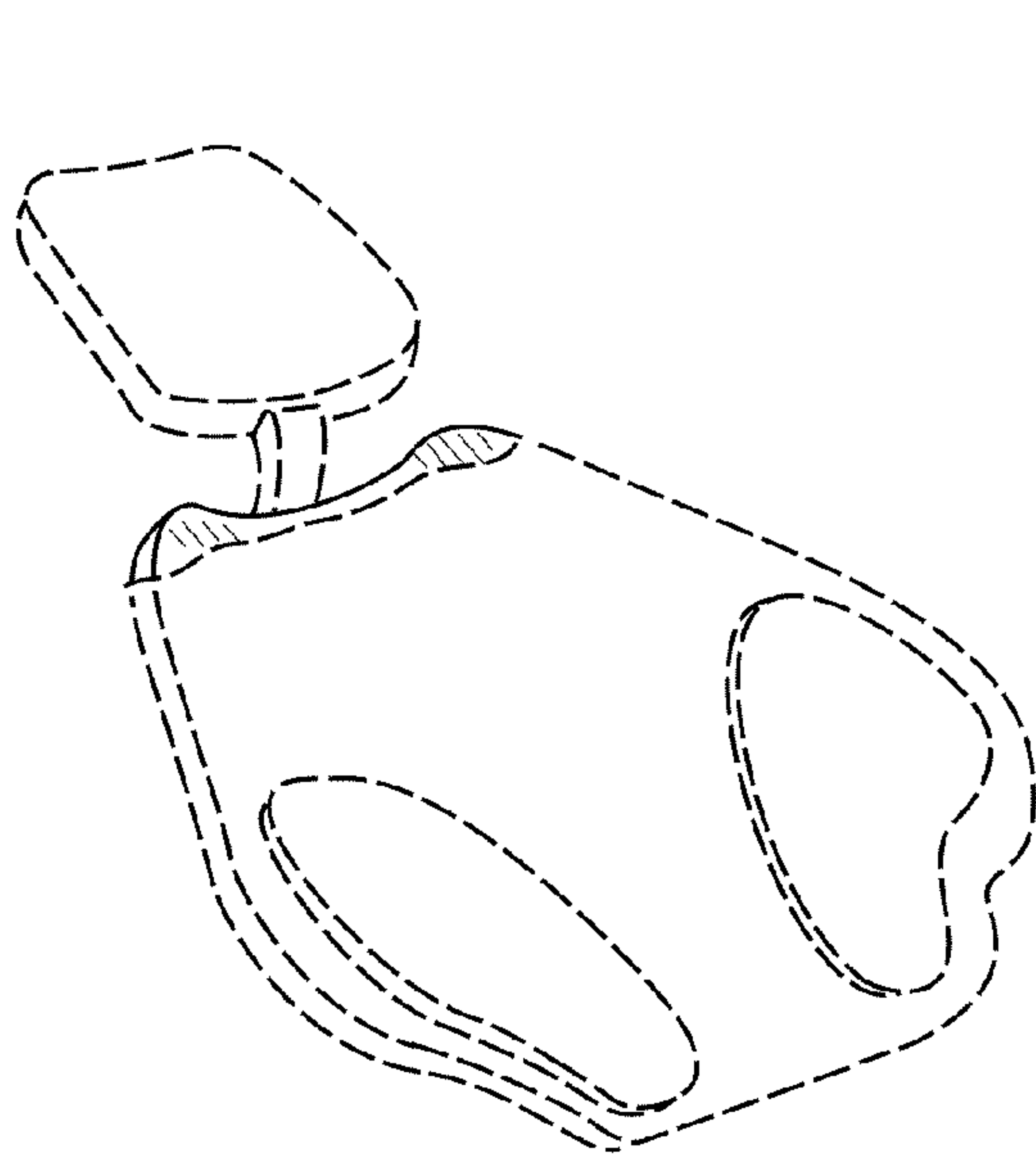


FIG. 1

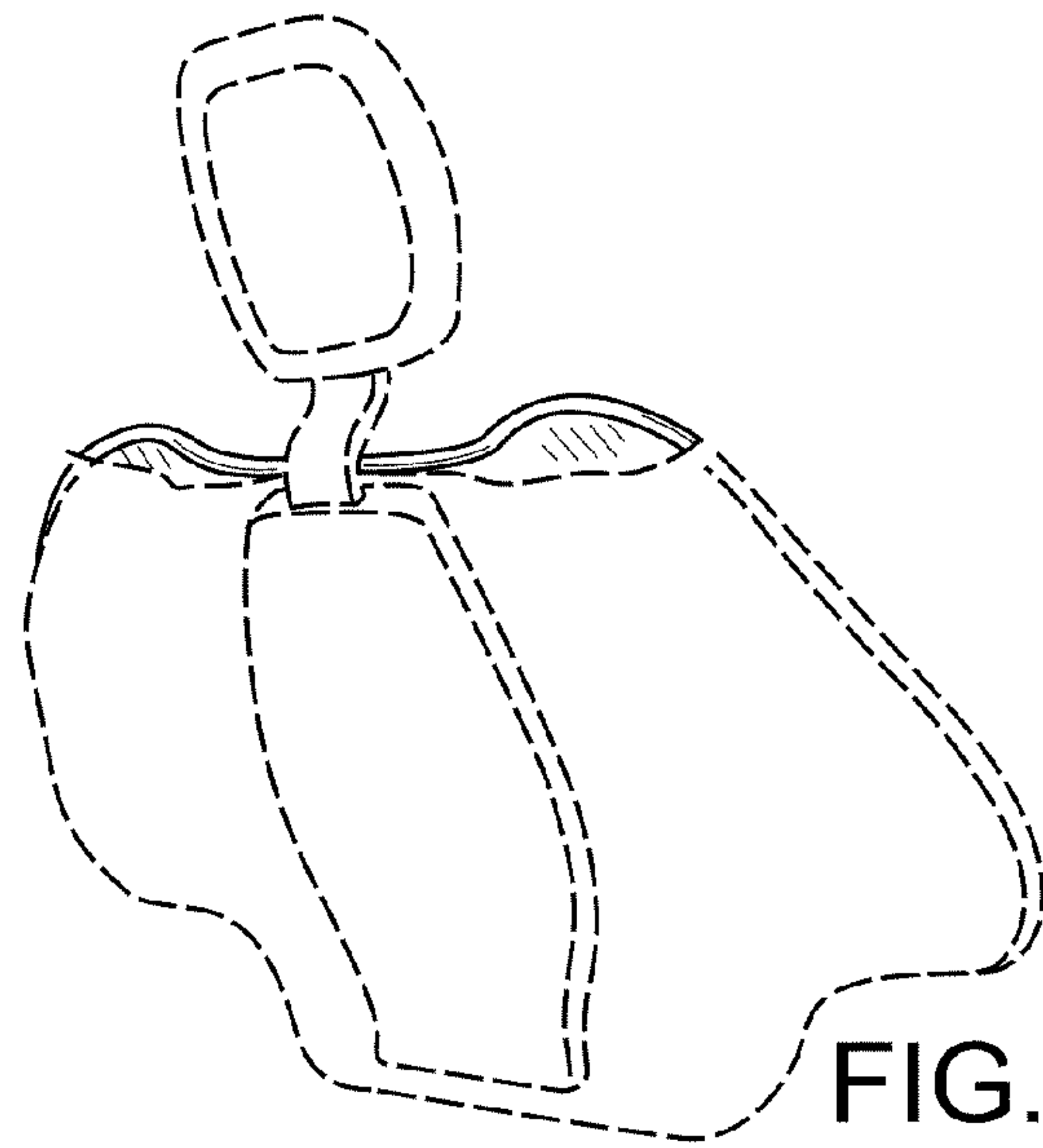


FIG. 2

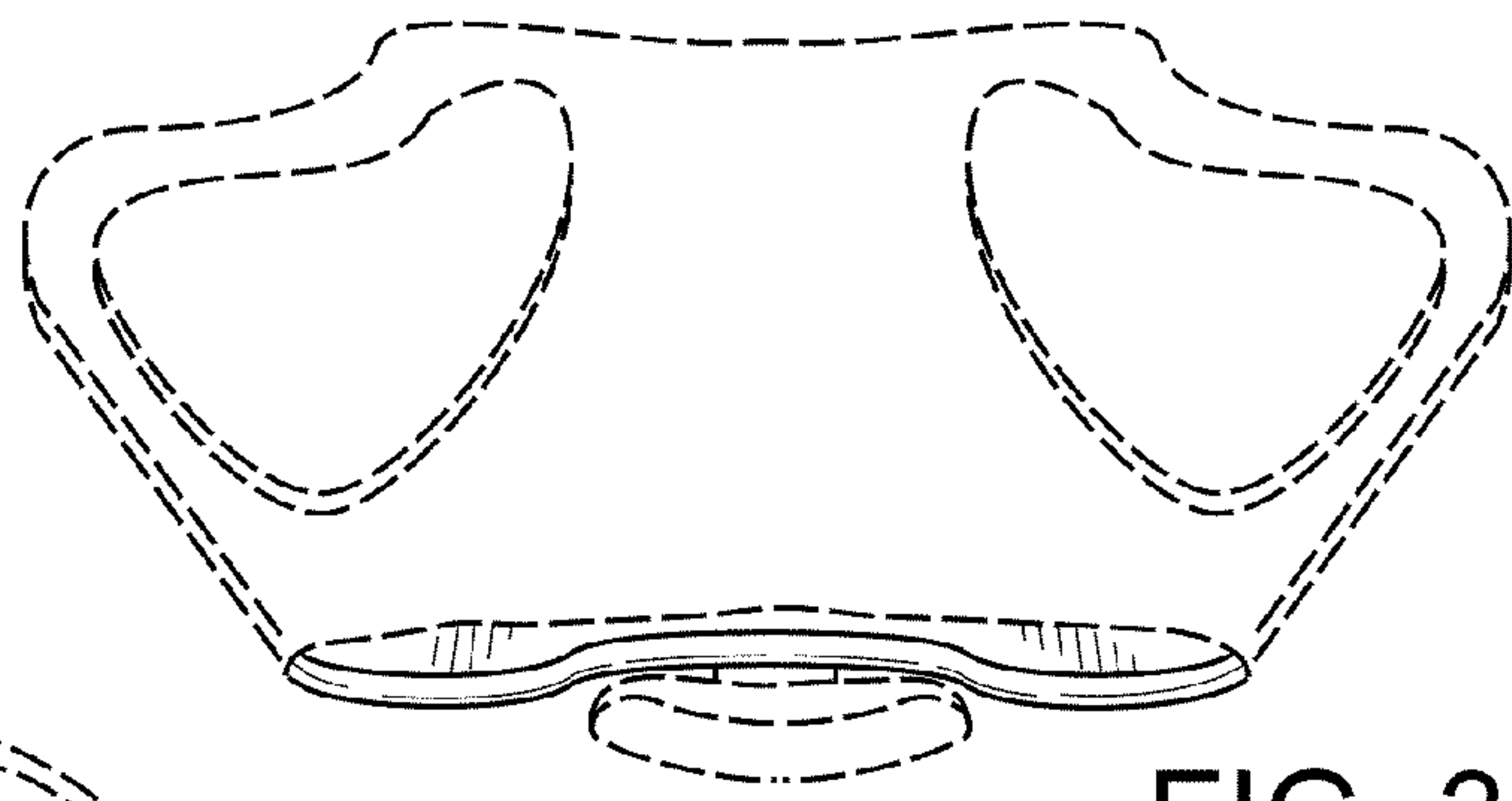


FIG. 3

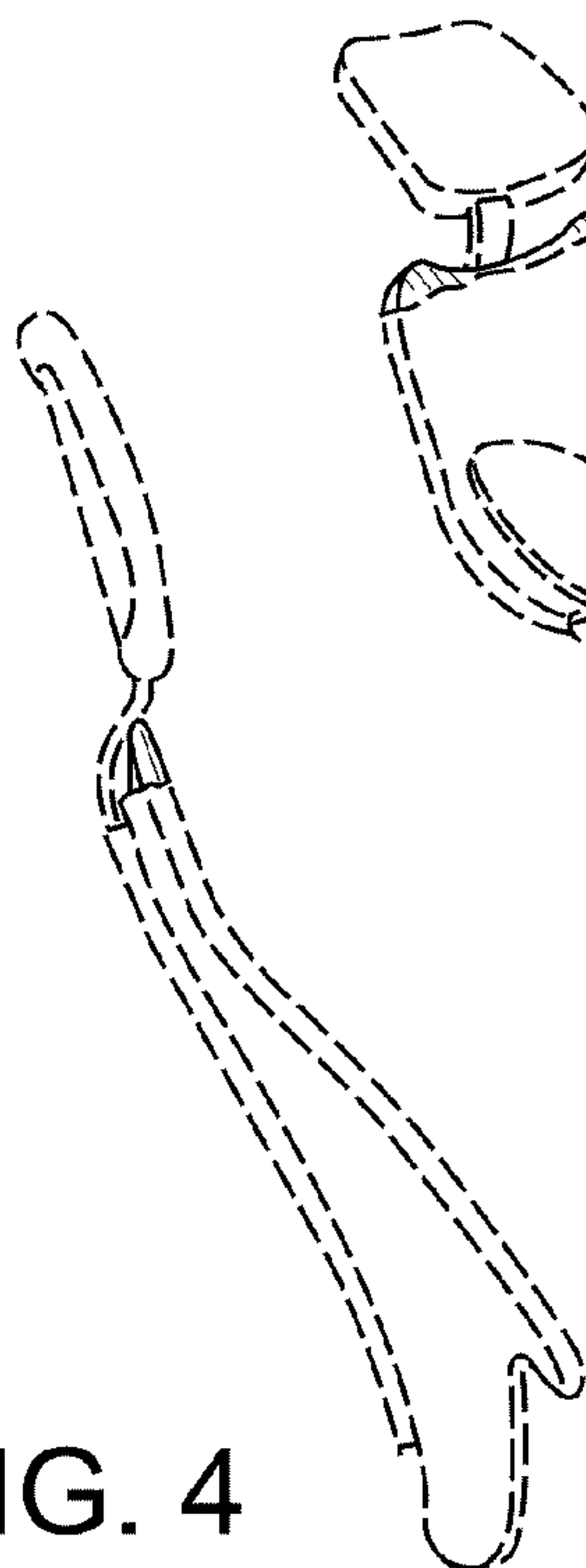


FIG. 4

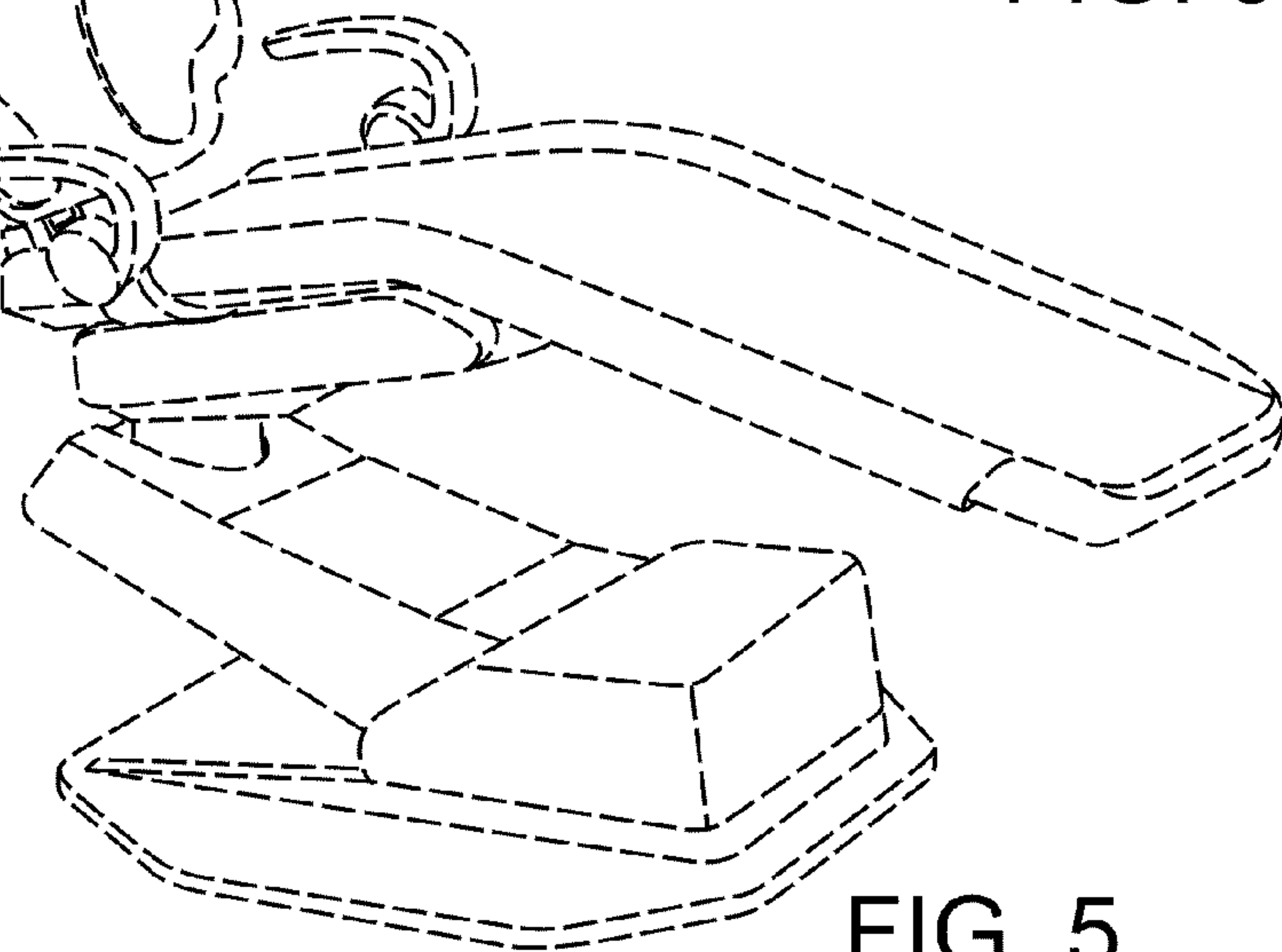


FIG. 5

UNITED STATES PATENT AND TRADEMARK OFFICE
CERTIFICATE OF CORRECTION

PATENT NO. : D613,534 S
APPLICATION NO. : 29/342972
DATED : April 13, 2010
INVENTOR(S) : Carl G. Nordstrom

Page 1 of 1

It is certified that error appears in the above-identified patent and that said Letters Patent is hereby corrected as shown below:

On the Title Page

Item (63) "Related U.S. Application Data" is amended to read:

Continuation of application No. 11/982,891, filed on Nov. 5, 2007, which is a continuation of application No. 10/855,031, filed on May 26, 2004, now Pat. No. 7,290,836, which claims the benefit of provisional application no. 60/498,918, filed on Aug. 28, 2003.

Signed and Sealed this
Thirty-first Day of March, 2015



Michelle K. Lee
Director of the United States Patent and Trademark Office