

US00D613527S

(12) **United States Design Patent**  
**Suge et al.**

(10) **Patent No.:** **US D613,527 S**  
(45) **Date of Patent:** **\*\* Apr. 13, 2010**

(54) **AIRCRAFT SEAT**

(75) Inventors: **Yasutaka Suge**, Tokyo (JP); **Yuichi Akutsu**, Tokyo (JP); **Manabu Matsumoto**, Tokyo (JP); **Kosuke Wakao**, Tokyo (JP)

(73) Assignee: **Japan Airlines International Co., Ltd.**, Tokyo (JP)

(\*\*) Term: **14 Years**

(21) Appl. No.: **29/309,599**

(22) Filed: **Sep. 9, 2008**

(30) **Foreign Application Priority Data**

Mar. 19, 2008 (JP) ..... D2008-006843

(51) **LOC (9) Cl.** ..... **06-01**

(52) **U.S. Cl.** ..... **D6/491**

(58) **Field of Classification Search** ..... 36/356,  
36/334-336, 364-365, 367, 374-375, 360-361,  
36/377, 381, 500-502, 491-492; D12/195,  
D12/345; 297/452.21, 452.29, 170, 174 R,  
297/232, 244, 342, 354.1, 361.1; 244/118.5,  
244/118.6, 122 R

See application file for complete search history.

(56) **References Cited**

**U.S. PATENT DOCUMENTS**

D409,010 S \* 5/1999 Papaioannou et al. .... D6/356  
D411,922 S \* 7/1999 Granados ..... D6/356  
D443,990 S \* 6/2001 Beroth ..... D6/356

D487,981 S \* 4/2004 Ludeke et al. .... D6/356  
D493,294 S \* 7/2004 Newson ..... D6/356  
D577,500 S \* 9/2008 Tsay et al. .... D6/356  
D577,502 S \* 9/2008 Fissette et al. .... D6/356  
D592,412 S \* 5/2009 Suge et al. .... D6/356

\* cited by examiner

*Primary Examiner*—Joel Sincavage

*Assistant Examiner*—Abraham Bahta

(74) *Attorney, Agent, or Firm*—Rader, Fishman & Grauer, PLLC

(57) **CLAIM**

The ornamental design for an aircraft seat, as shown and described.

**DESCRIPTION**

FIG. 1 is a perspective view of an aircraft seat showing our new design;

FIG. 2 is a front elevational view thereof;

FIG. 3 is a rear elevational view thereof;

FIG. 4 is a right side elevational view thereof;

FIG. 5 is a top plan view thereof; and,

FIG. 6 is a bottom plan view thereof.

FIG. 7 is a left side elevational view thereof; and,

Portions of FIGS. 1-5 that are shown as broken lines are for illustrative purpose only and form no part of the claimed design.

FIG. 7 is for illustrative purposes only and forms no part of the claimed design.

**1 Claim, 7 Drawing Sheets**

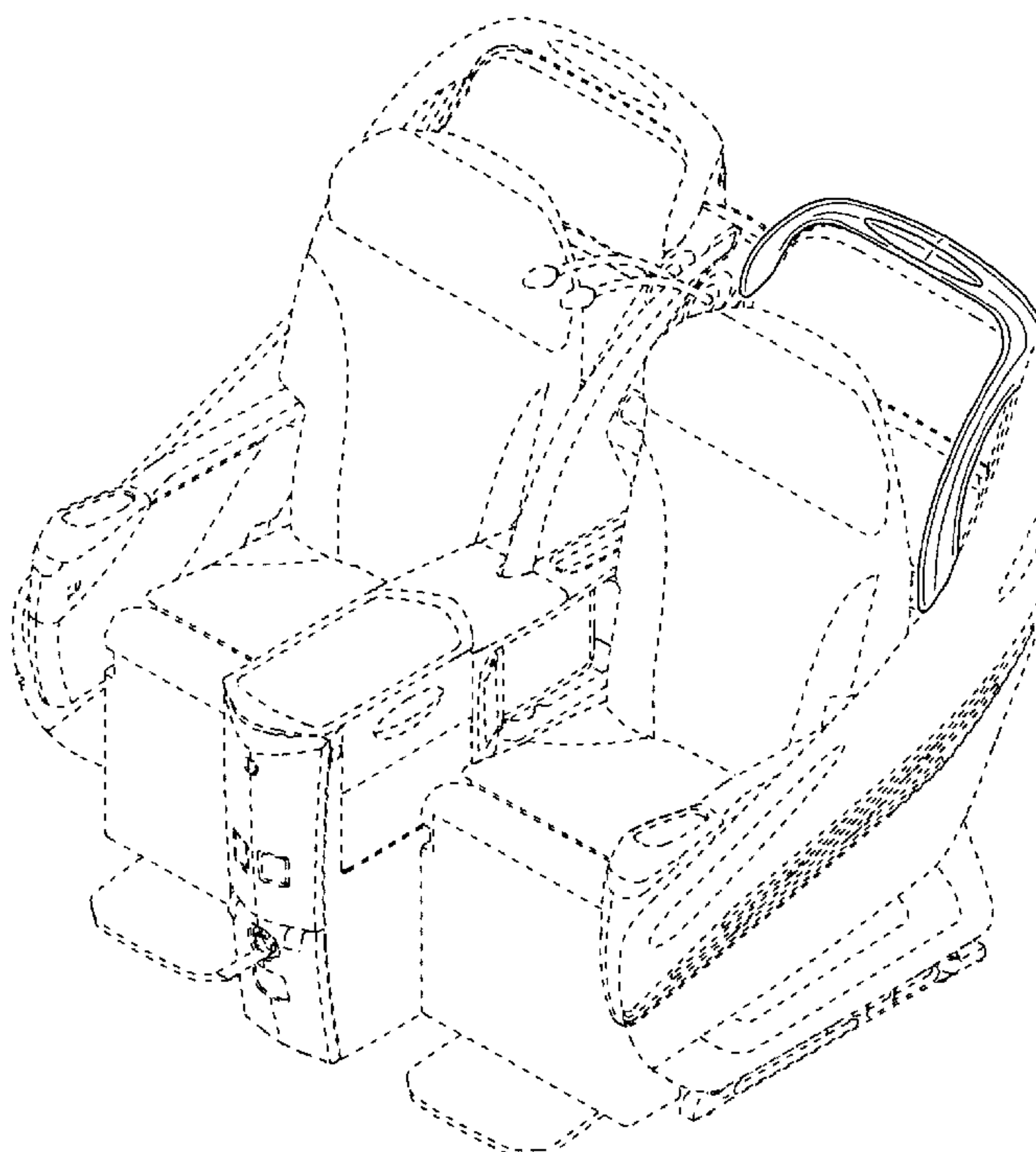
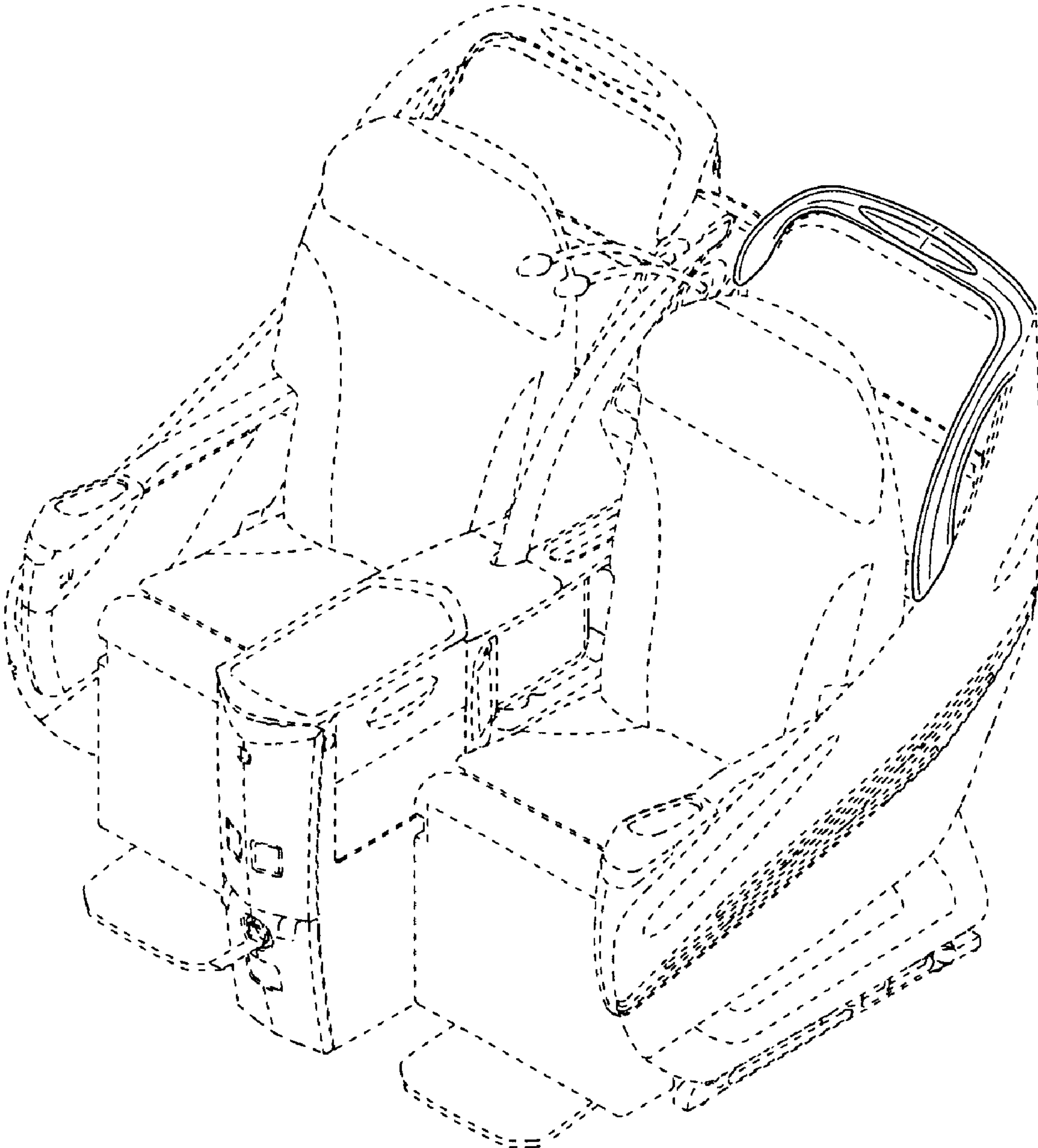


FIG.1



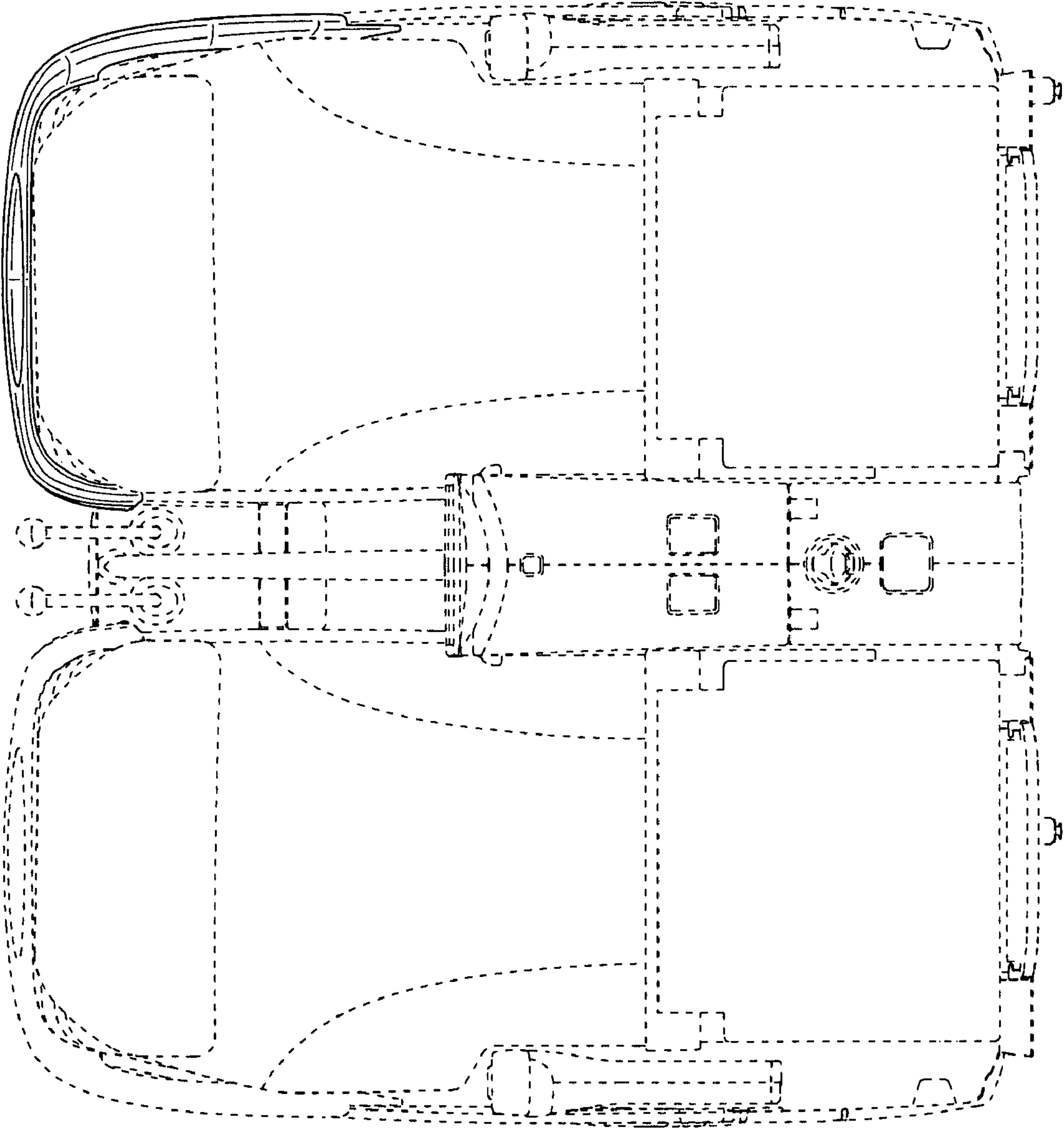


Fig.2

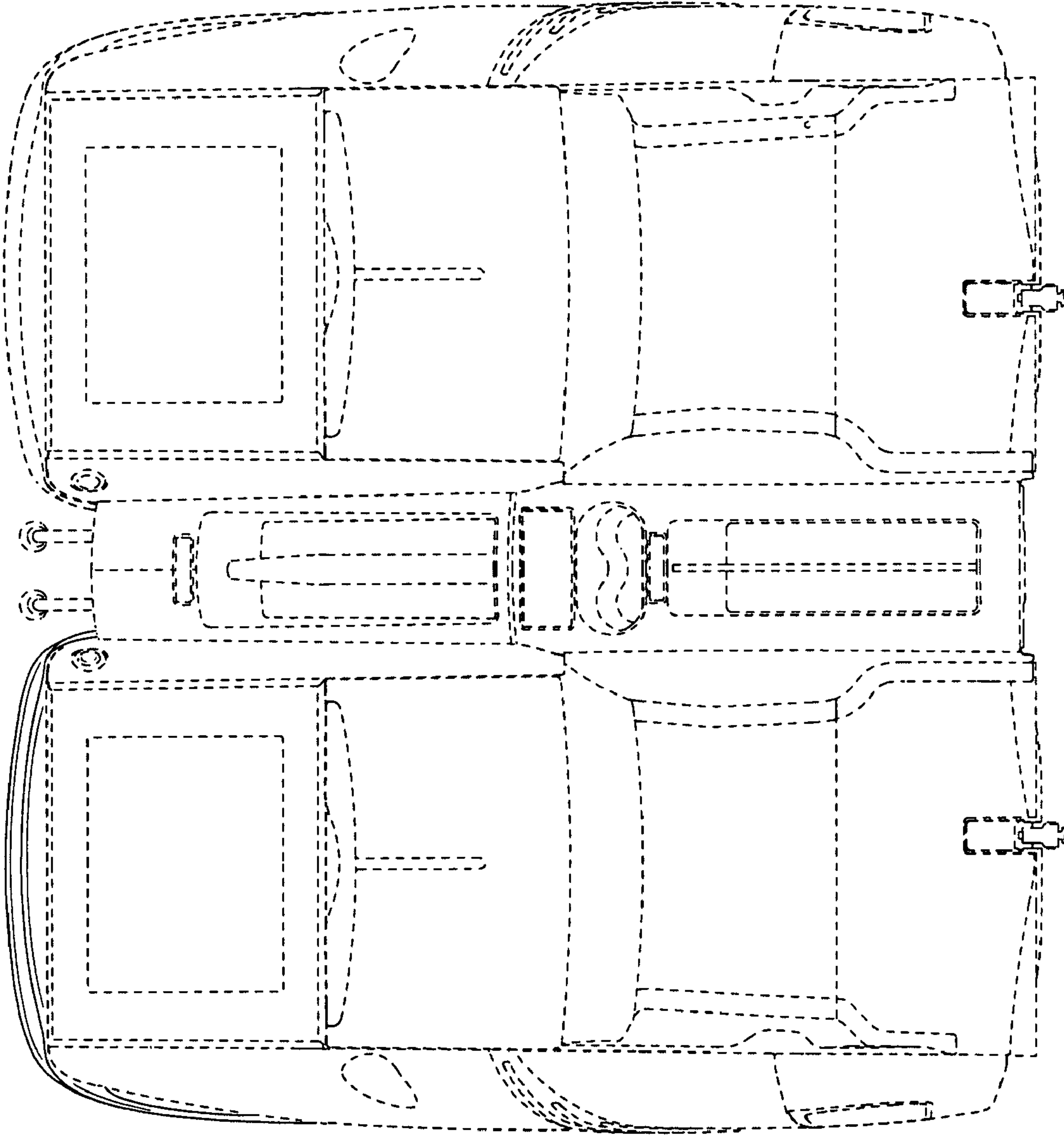


FIG.3



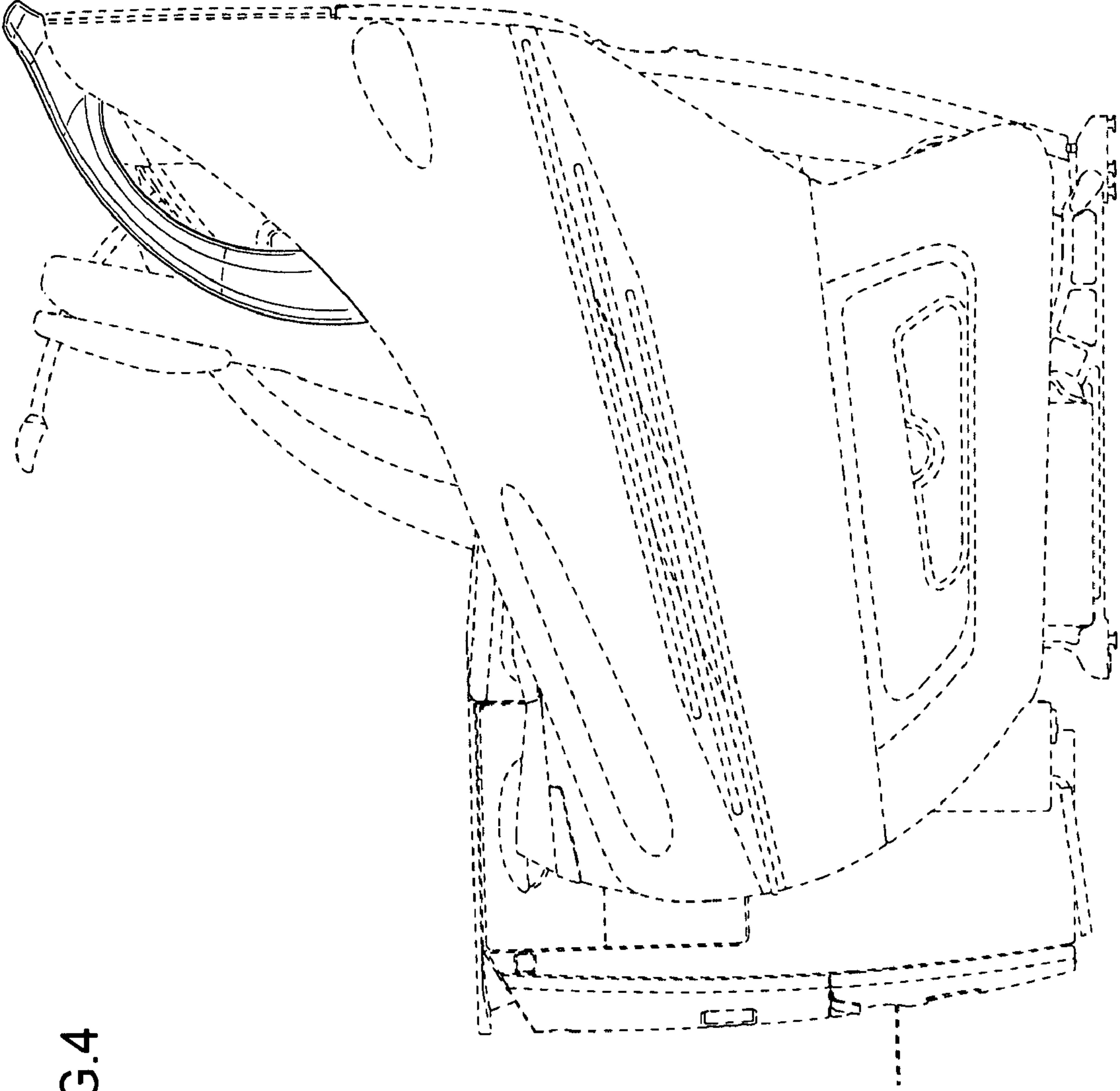


FIG.4

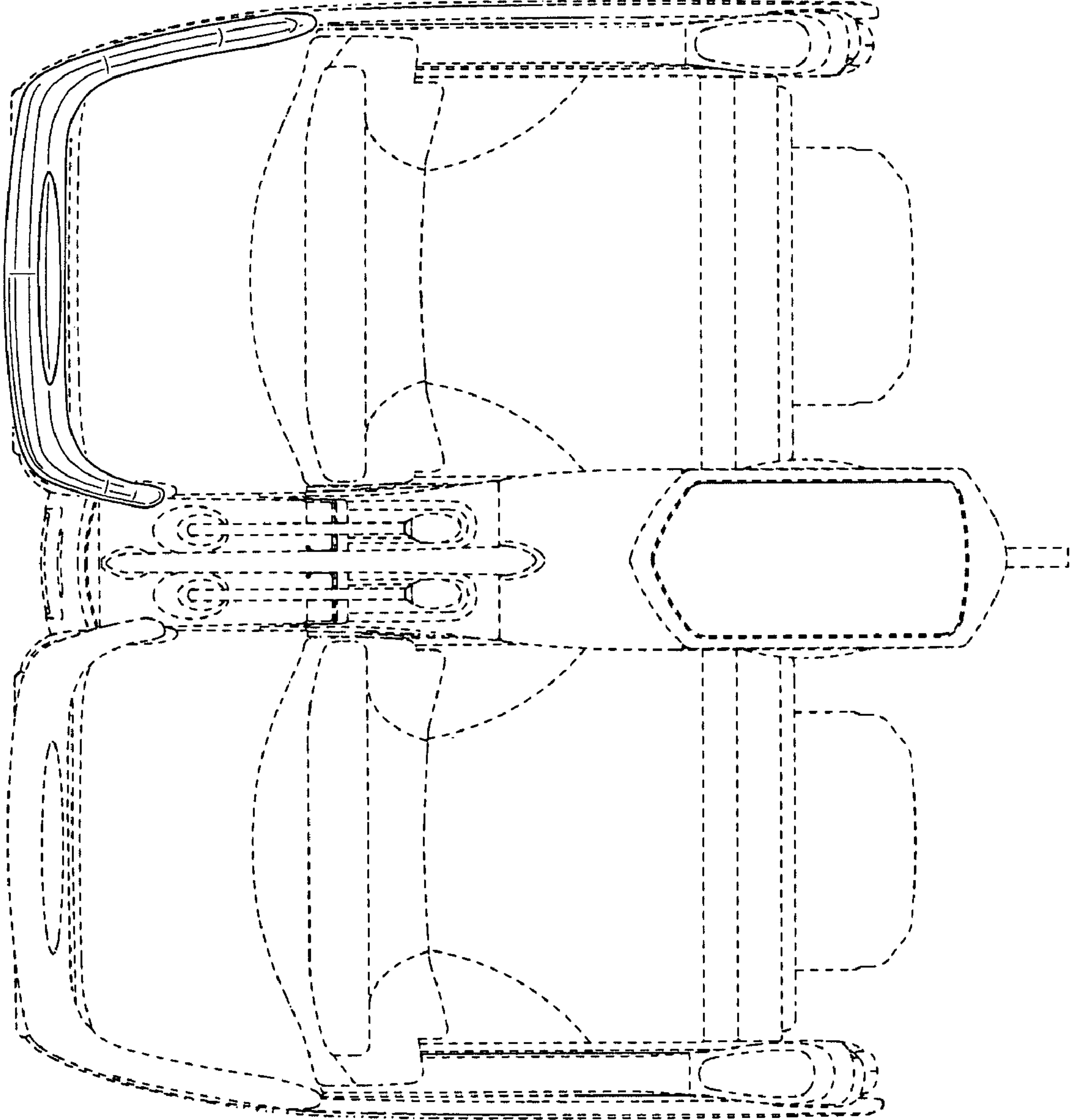


FIG.5

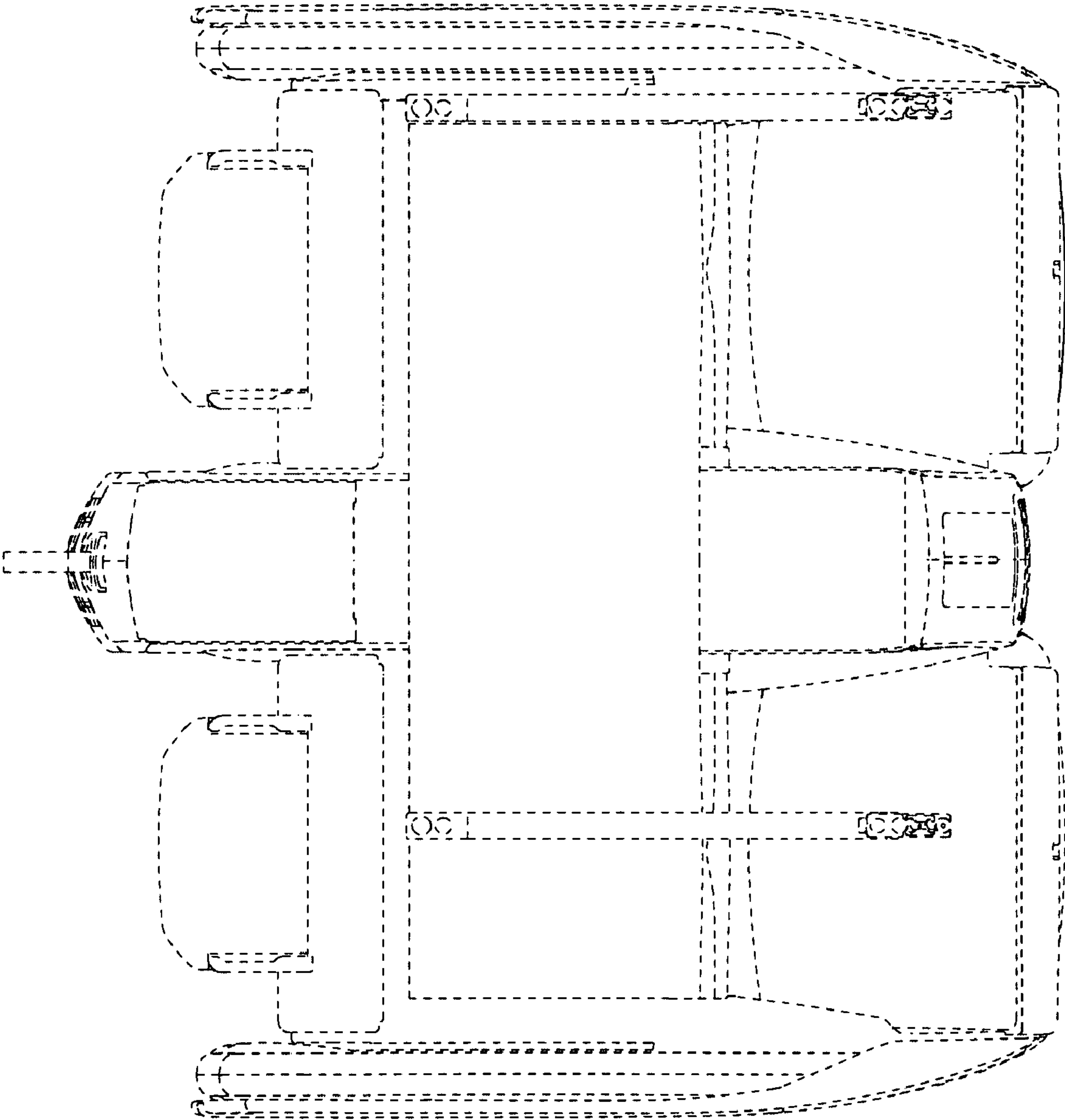


FIG. 6

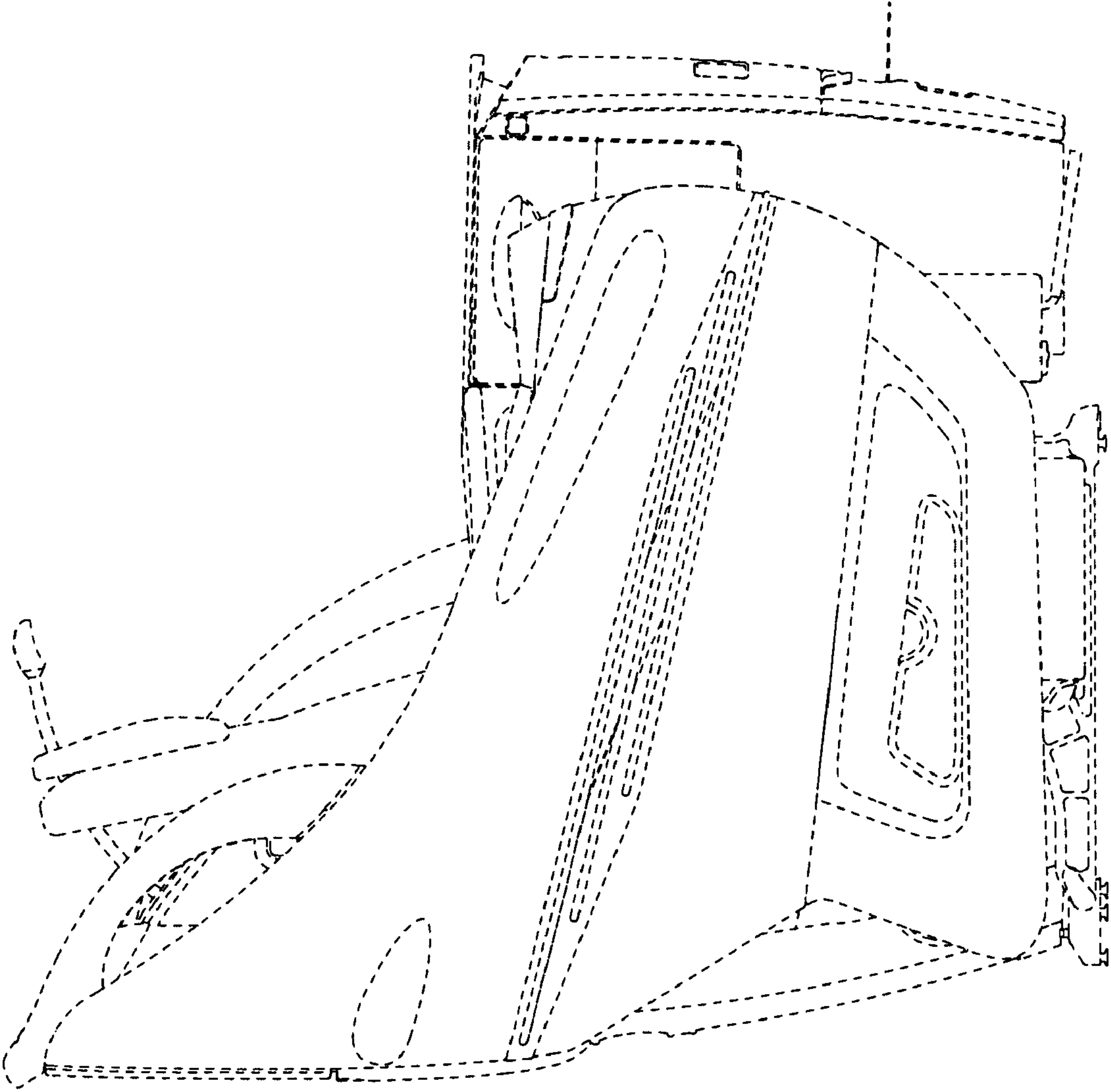


FIG.7