



US00D613526S

(12) **United States Design Patent**
Priestman

(10) **Patent No.:** **US D613,526 S**

(45) **Date of Patent:** **** Apr. 13, 2010**

(54) **DESK**

(75) Inventor: **Paul Dominic Priestman**, London (GB)

(73) Assignee: **Accor North America**, Carrollton, TX (US)

(**) Term: **14 Years**

(21) Appl. No.: **29/334,169**

(22) Filed: **Mar. 21, 2009**

(51) **LOC (9) Cl.** **06-03**

(52) **U.S. Cl.** **D6/486; D6/487**

(58) **Field of Classification Search** D6/480-489,
D6/429-431, 511, 495, 496; 108/150, 151,
108/152, 153.1, 157.1, 161; 248/188, 188.1,
248/188.8

See application file for complete search history.

(56) **References Cited**

U.S. PATENT DOCUMENTS

D289,953 S * 5/1987 Berry, Jr. D6/482

D291,851 S * 9/1987 Salvato D6/482

D331,672 S * 12/1992 Brodbeck D6/421

D372,818 S * 8/1996 Snell D6/486

D415,375 S * 10/1999 McCrackin et al. D6/511

* cited by examiner

Primary Examiner—Janice E Seeger

(74) *Attorney, Agent, or Firm*—Vorys Sater Seymour and Pease LLP; Corinne Marie Pouliquen

(57) **CLAIM**

The ornamental design for a desk, as shown and described.

DESCRIPTION

FIG. 1 is a perspective view of a first embodiment of a desk, showing my new design as a left hand desk;

FIG. 2 is front elevational view thereof;

FIG. 3 is a rear elevational view thereof;

FIG. 4 is a right side view thereof;

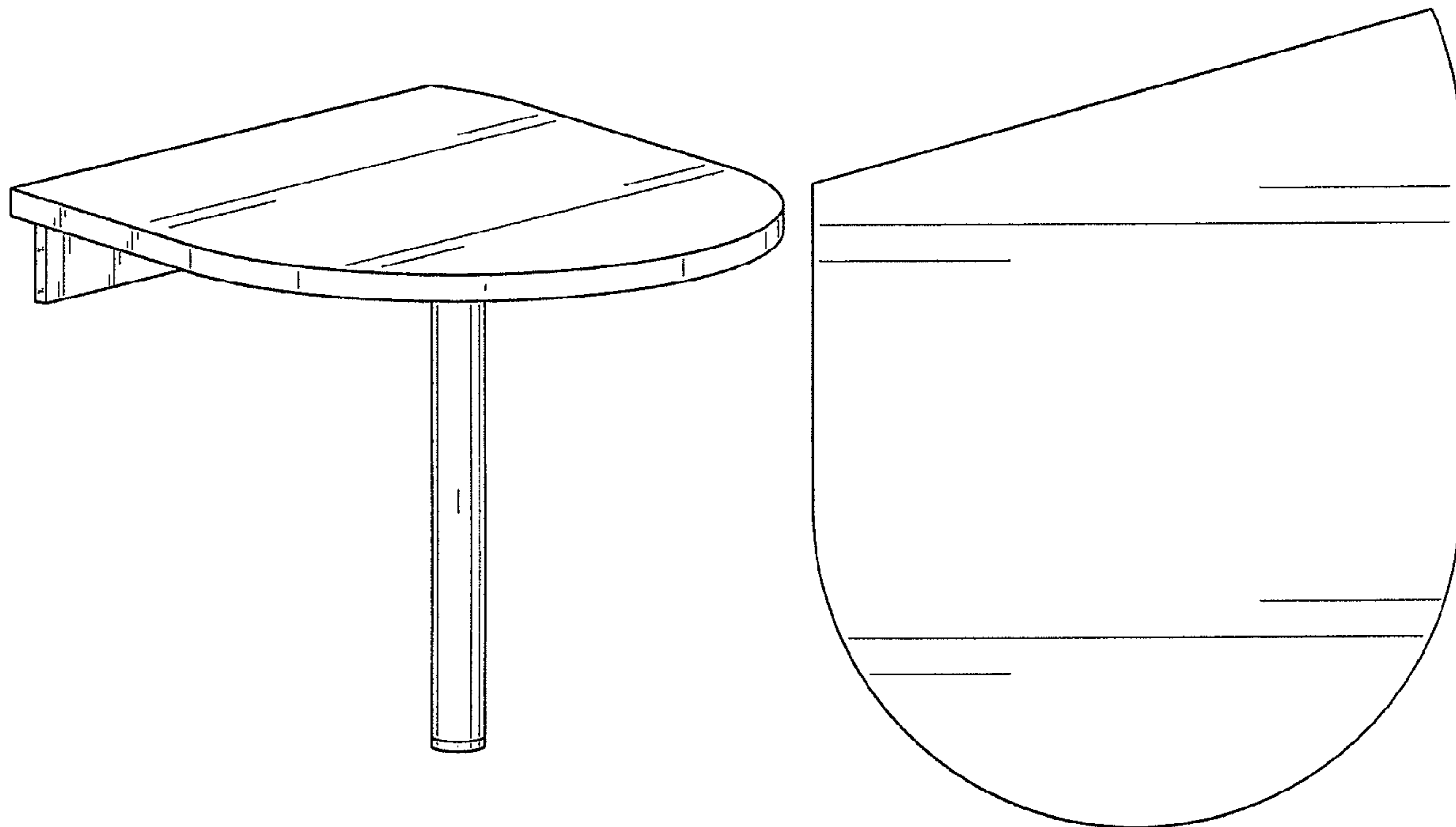
FIG. 5 is a left side view thereof;

FIG. 6 is a top plan view thereof; and,

FIG. 7 is a bottom plan view thereof.

A second embodiment not illustrated is a perspective view of a right-handed desk, a top plan view of a right-handed desk, and a bottom plan view of a right-handed desk, which are, respectively, mirror images of the left-handed perspective view, top plan view and bottom plan view.

1 Claim, 5 Drawing Sheets



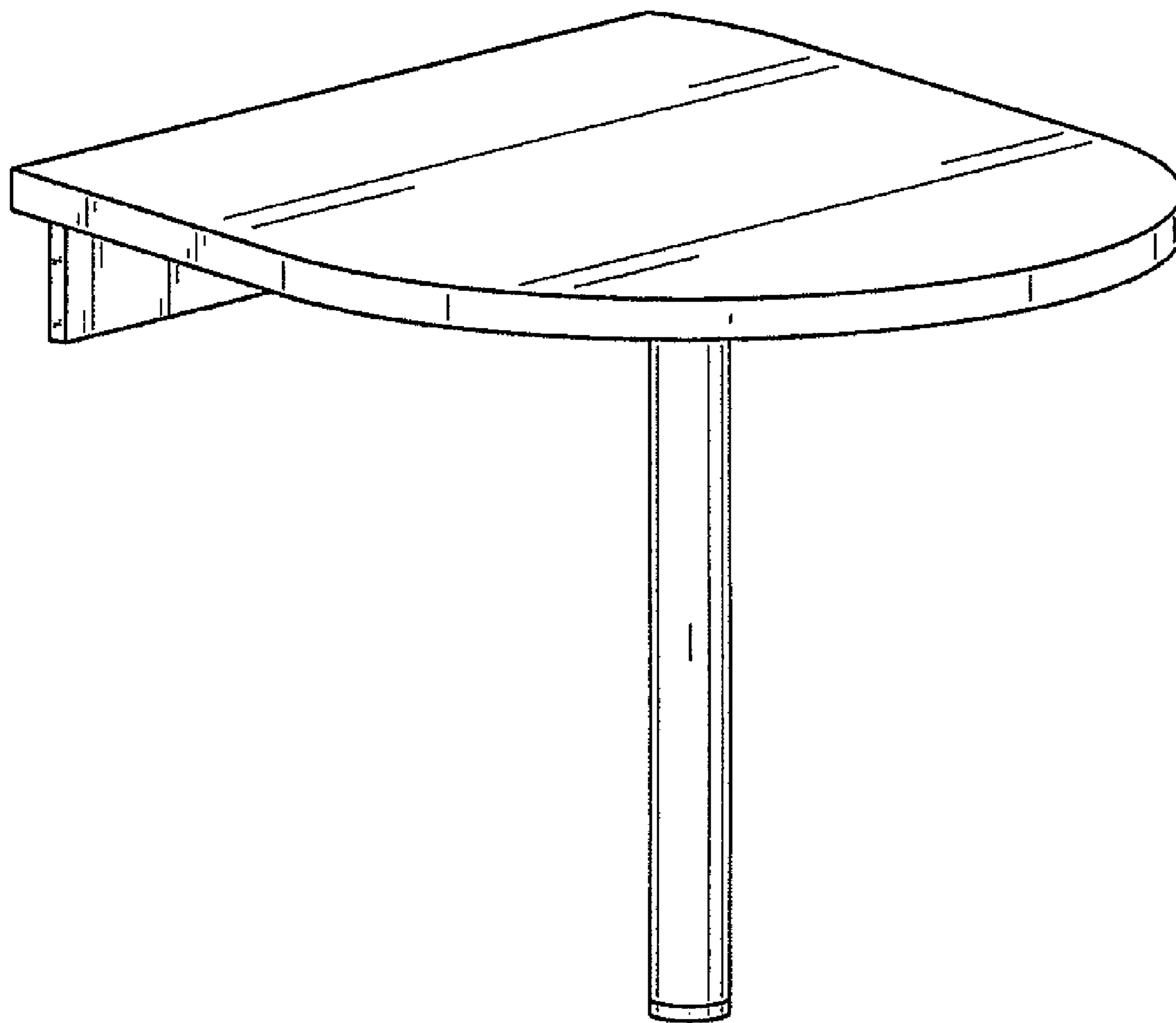


FIG. 1

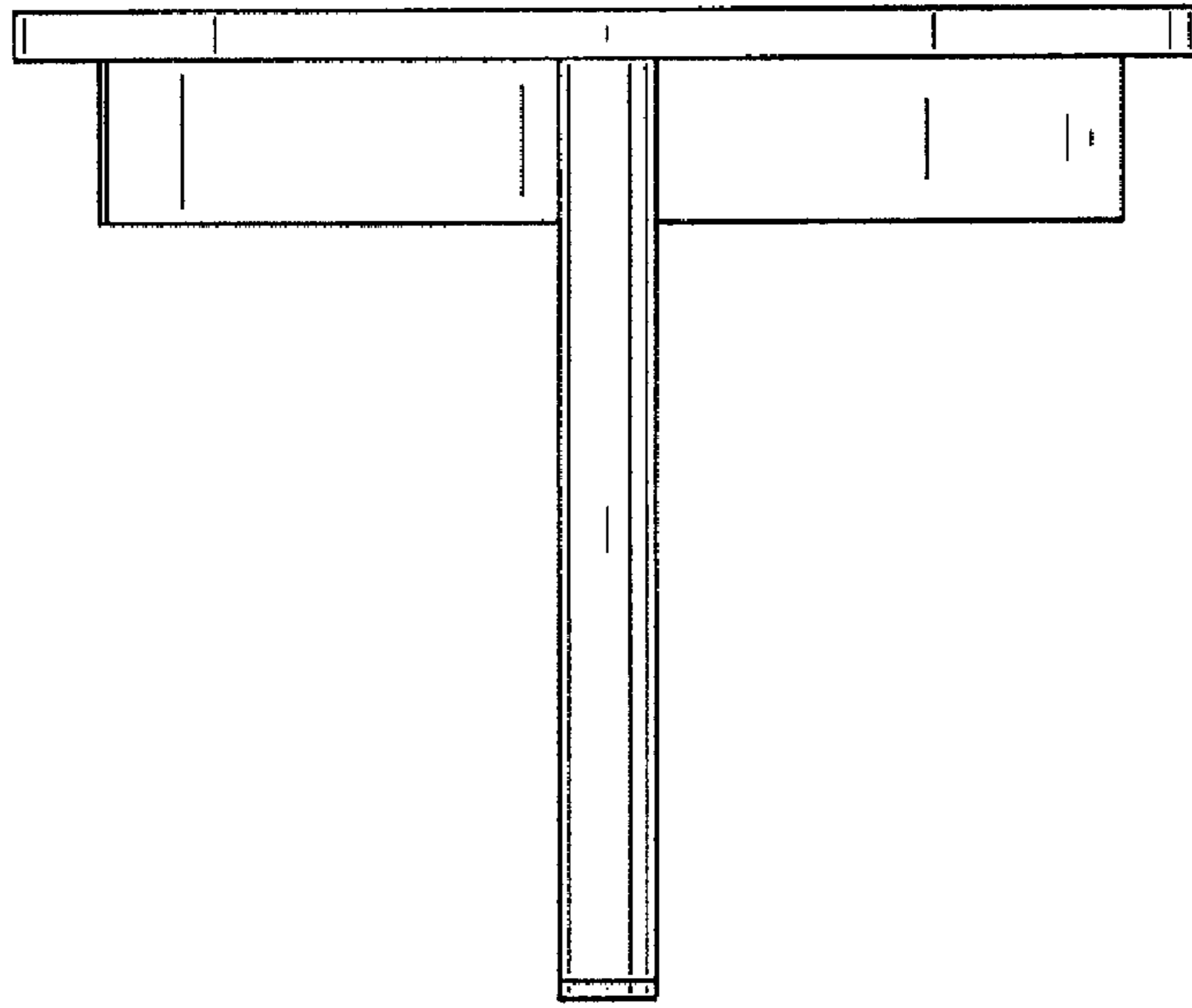


FIG. 2

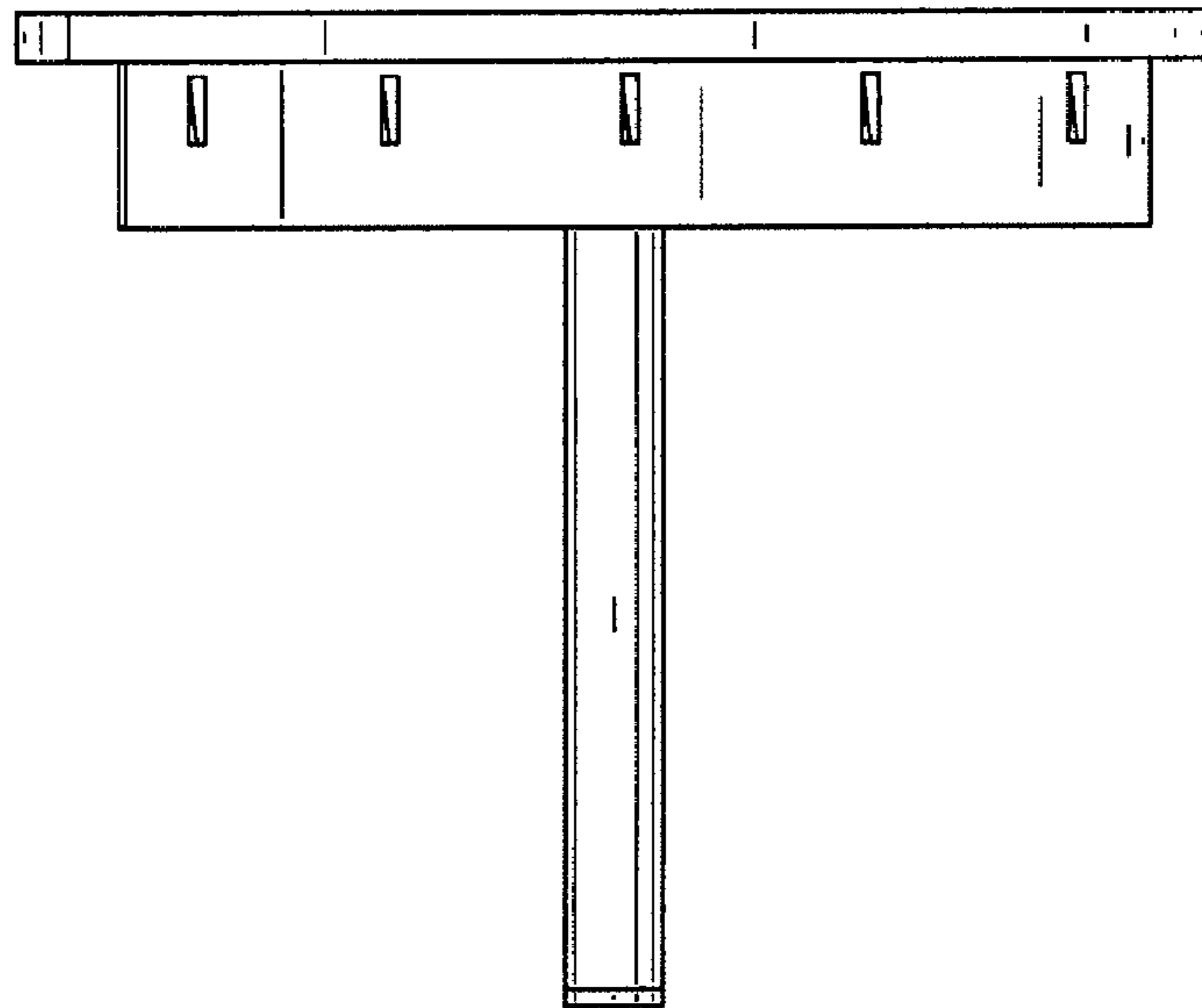


FIG. 3

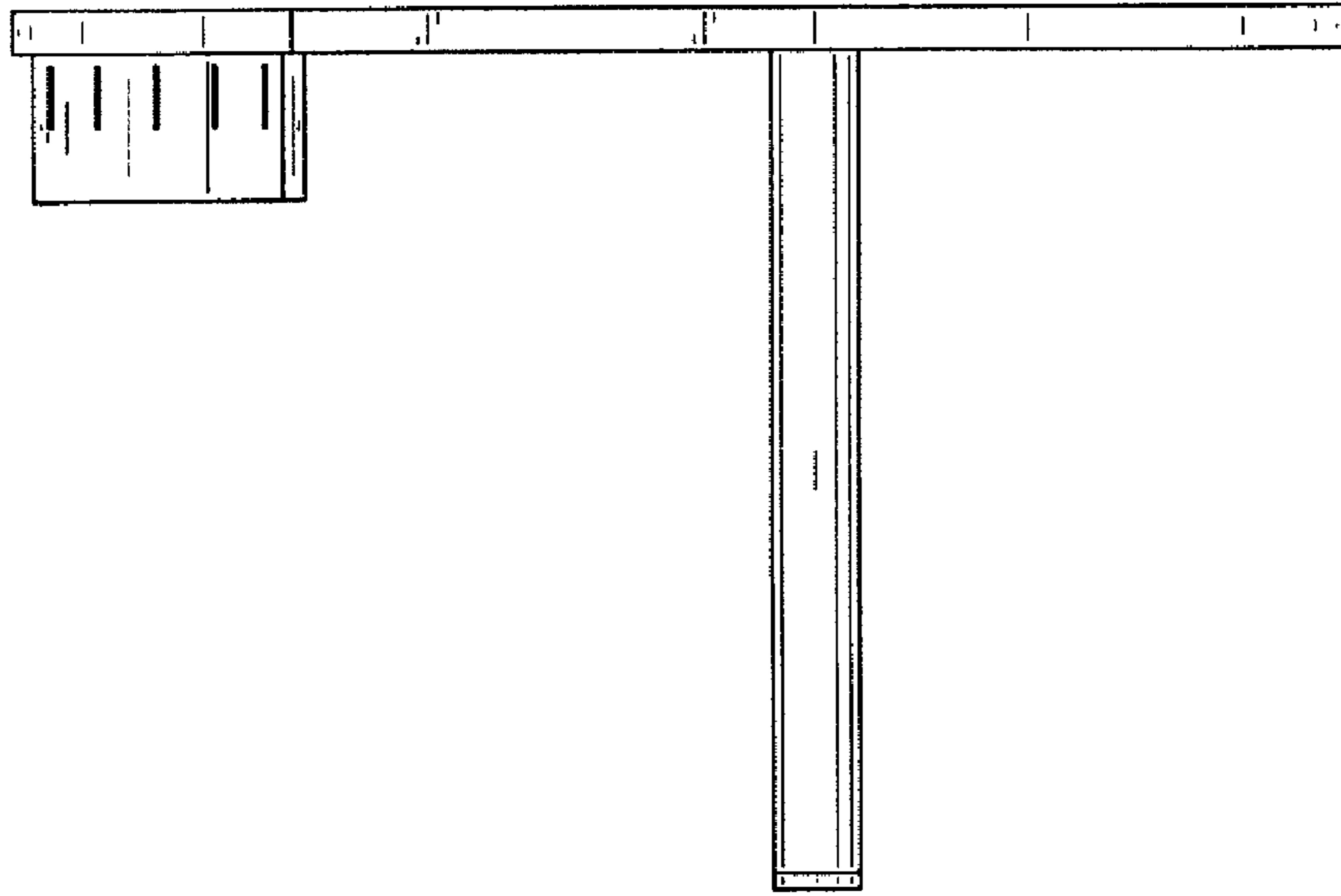


FIG. 4

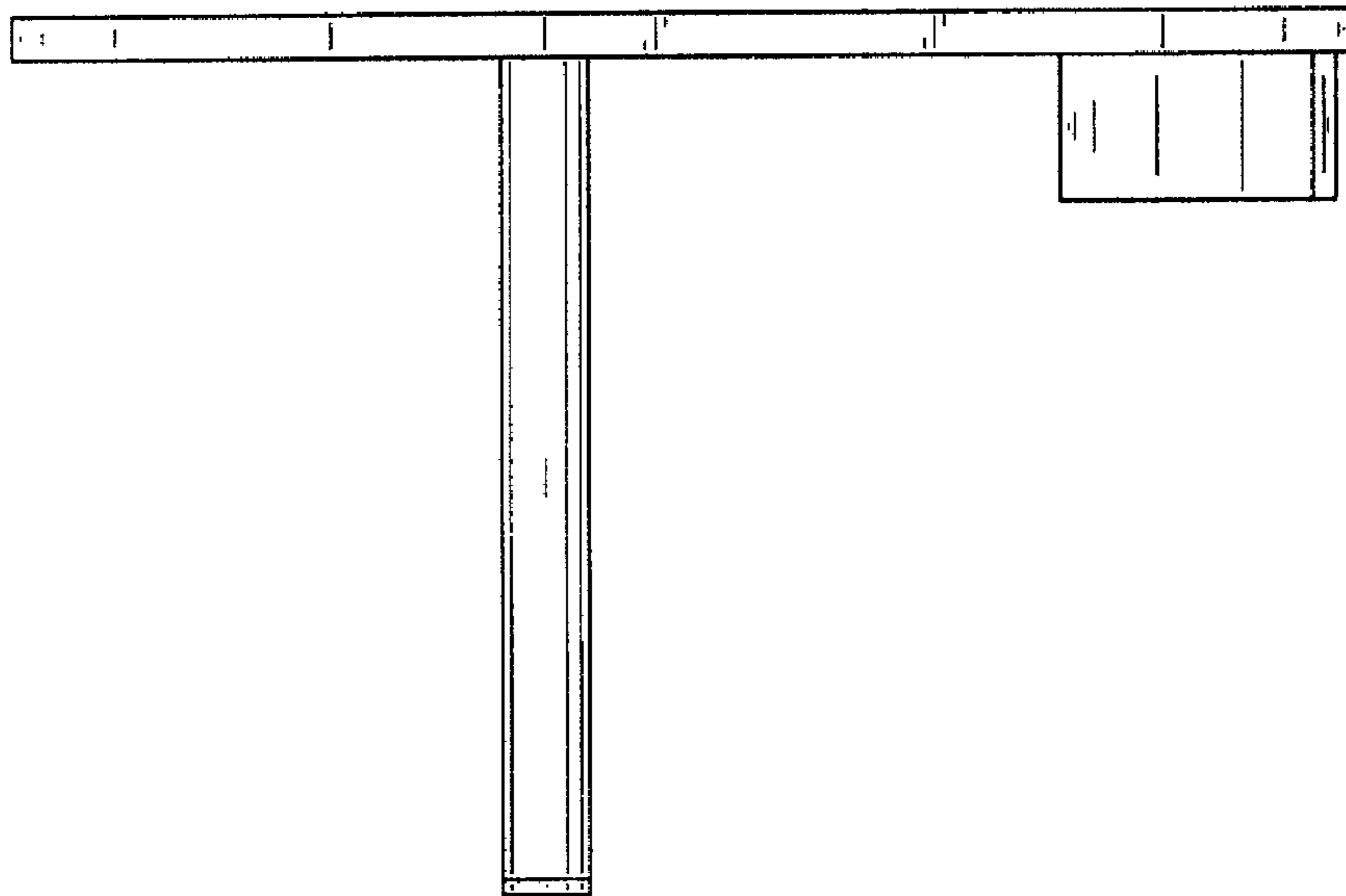


FIG. 5

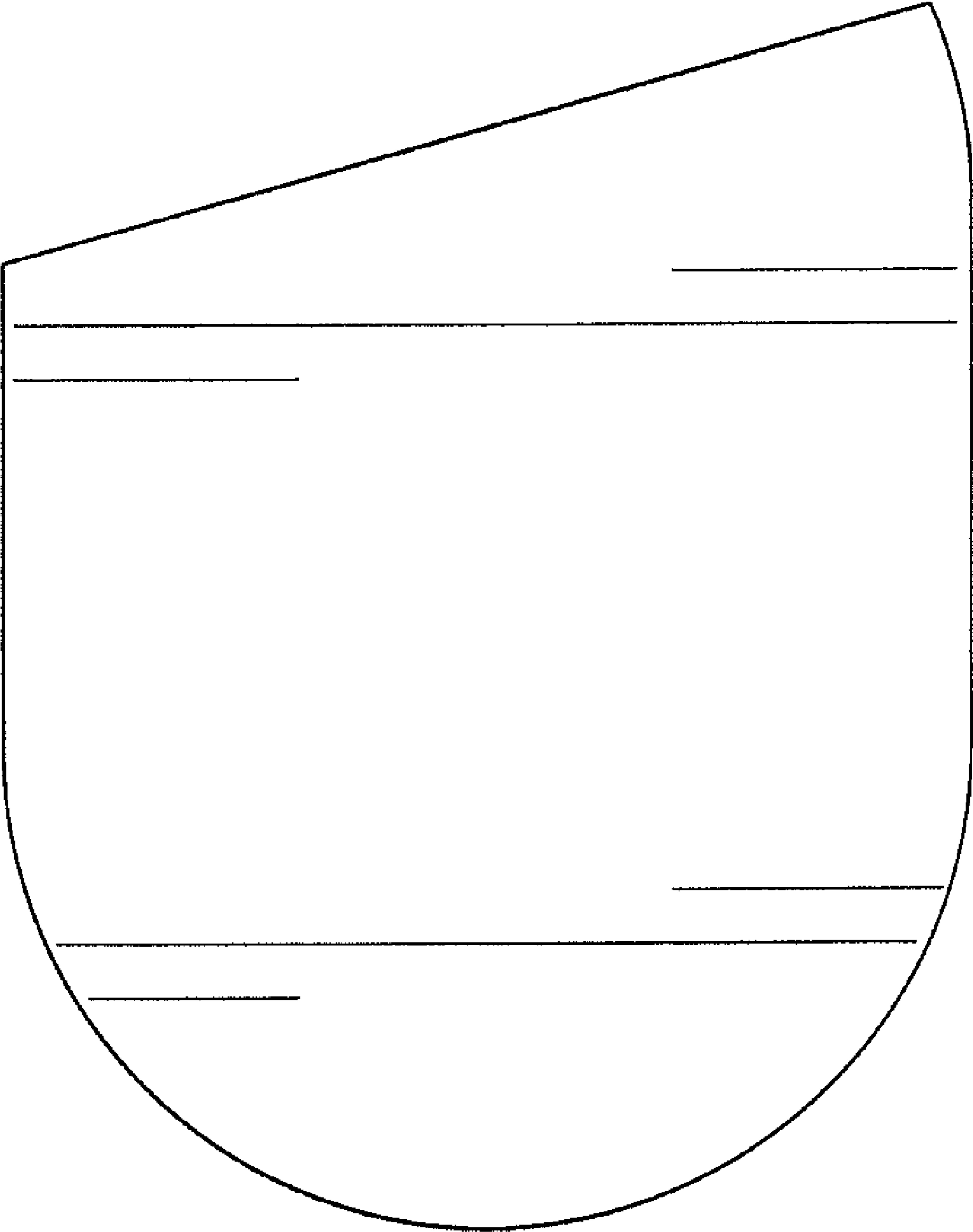


FIG. 6

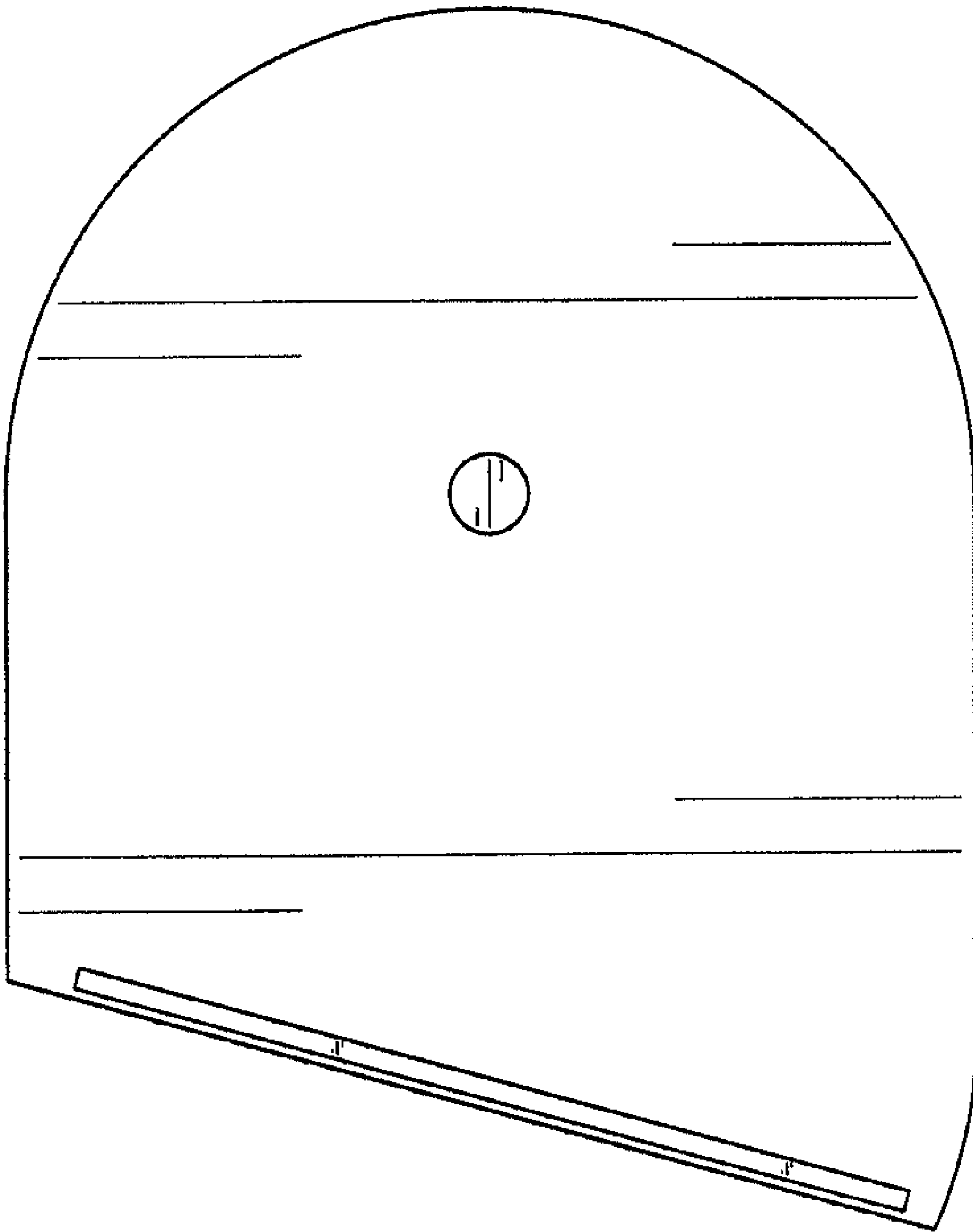


FIG. 7