



US00D613522S

(12) **United States Design Patent**
Kanthasamy

(10) **Patent No.:** **US D613,522 S**
(45) **Date of Patent:** **** Apr. 13, 2010**

(54) **THREE PIECE STORAGE TABLE SET**

(75) Inventor: **Abeden Kanthasamy**, Kuala (MY)

(73) Assignee: **Lifestyle Solutions, Inc.**, Fremont, CA (US)

(**) Term: **14 Years**

(21) Appl. No.: **29/314,700**

(22) Filed: **Apr. 21, 2009**

(51) **LOC (9) Cl.** **06-04**

(52) **U.S. Cl.** **D6/440**

(58) **Field of Classification Search** D6/336,
D6/349, 353, 396, 397, 425, 430, 432-448;
312/138.1, 204, 205, 213, 215, 235.3, 237,
312/249.1, 249.3, 257.1, 327; D3/272, 273,
D3/294

See application file for complete search history.

(56) **References Cited**

U.S. PATENT DOCUMENTS

- D168,419 S * 12/1952 Petzolo D6/447
- 2,990,228 A * 6/1961 Celler 312/237
- D341,960 S * 12/1993 Iannuzzelli et al. D6/434
- D407,237 S * 3/1999 Stangl D6/440

(Continued)

Primary Examiner—Mimosa De

(74) *Attorney, Agent, or Firm*—Michael P. Adams; Winstead P.C.

(57) **CLAIM**

The ornamental design for this three piece storage table set, as shown and described.

DESCRIPTION

FIG. 1 is a perspective view of the main table of the three piece table set;

FIG. 2 is a front view of the main table of the three piece table set;

FIG. 3 is a side view of the main table of the three piece table set;

FIG. 4 is a top view of the main table of the three piece table set;

FIG. 5 is a bottom view of the main table of the three piece table set;

FIG. 6 is a perspective view of the main table of the three piece table set in an open position, with two identical end tables stored inside the main table;

FIG. 7 is a front view of the main table of the three piece table set in an open position, with two identical end tables stored inside the main table;

FIG. 8 is a back view of the main table of the three piece table set in an open position;

FIGS. 9 and FIG. 10 are side views of the main table of the three piece table set in an open position, with a side view of an end table, which is stored inside the main table;

FIG. 11 is a top view of the main table of the three piece table set in an open position, with two identical end tables stored inside the main table;

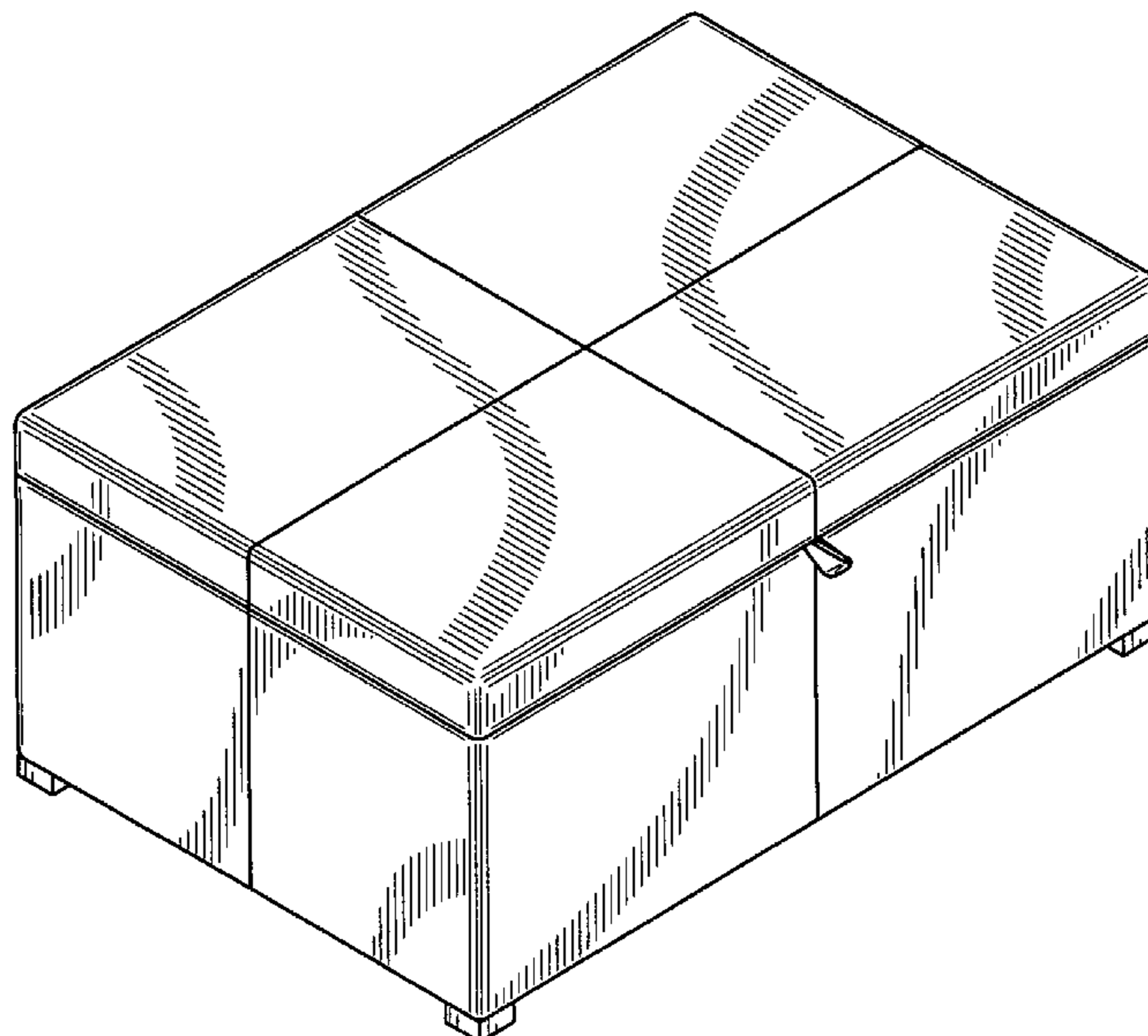
FIG. 12 is a bottom view of the main table of the three piece table set in an open position;

FIG. 13 is a perspective view of the main table in a closed position and two identical end tables of the three piece table set outside of the main table;

FIG. 14 is a perspective view of one of the two identical end tables with its top lid removed; and,

FIG. 15 is a perspective view of a top lid which has been removed from one of the two identical end tables.

1 Claim, 10 Drawing Sheets



US D613,522 S

Page 2

U.S. PATENT DOCUMENTS

D410,350 S *	6/1999	Stangl	D6/440	D538,550 S *	3/2007	Canin	D6/432
D423,249 S *	4/2000	Hawang	D6/440	D579,233 S *	10/2008	LeTourneau	D6/446
D426,724 S *	6/2000	Stangl	D6/440	D580,231 S *	11/2008	Lee	D6/432
D493,302 S *	7/2004	Sabo et al.	D6/440	2003/0193278 A1 *	10/2003	Hellman et al.	312/327
D513,672 S *	1/2006	Meyer et al.	D6/440	2005/0099102 A1 *	5/2005	Villarreal	312/237
				2007/0137530 A1 *	6/2007	Cohen	312/237

* cited by examiner

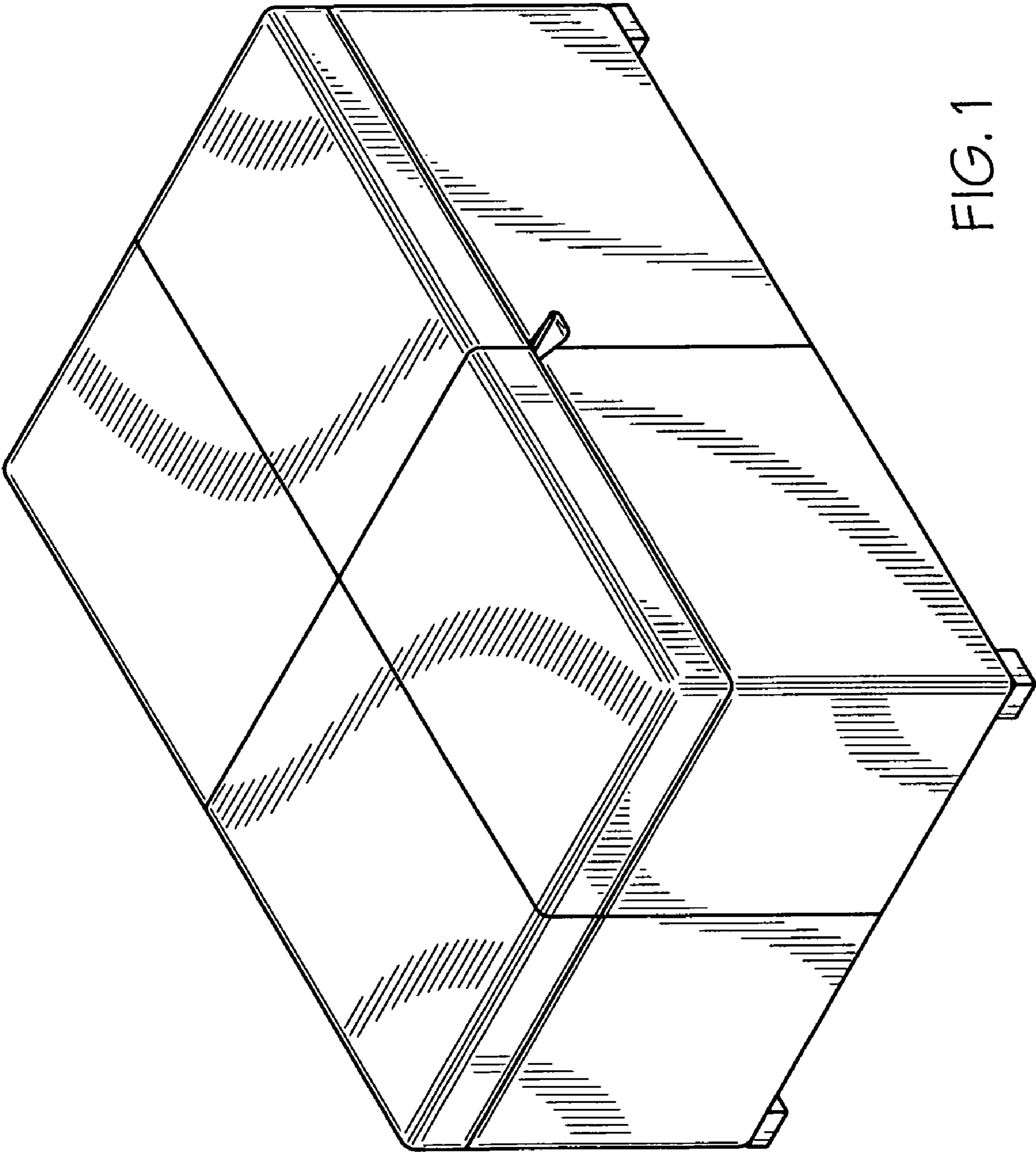


FIG. 1

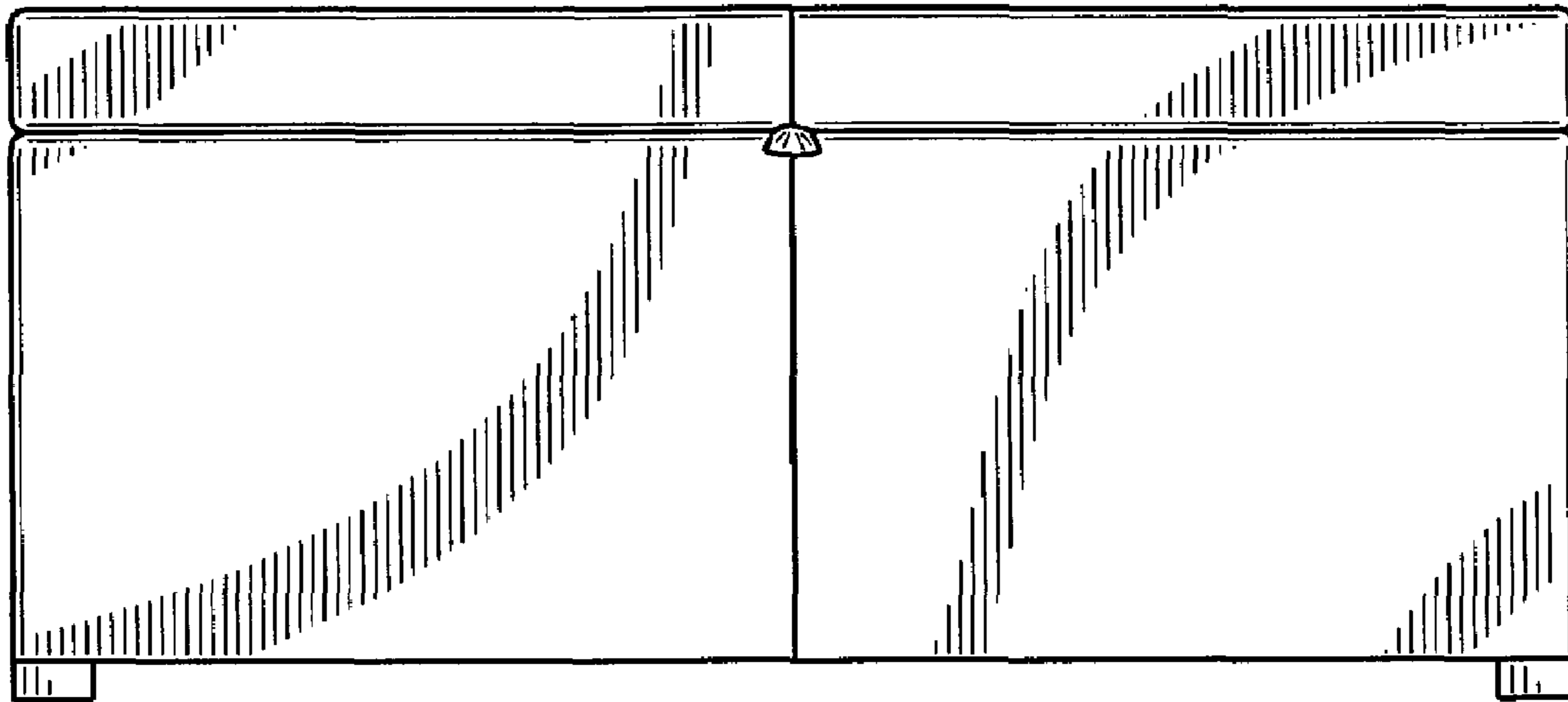


FIG. 2

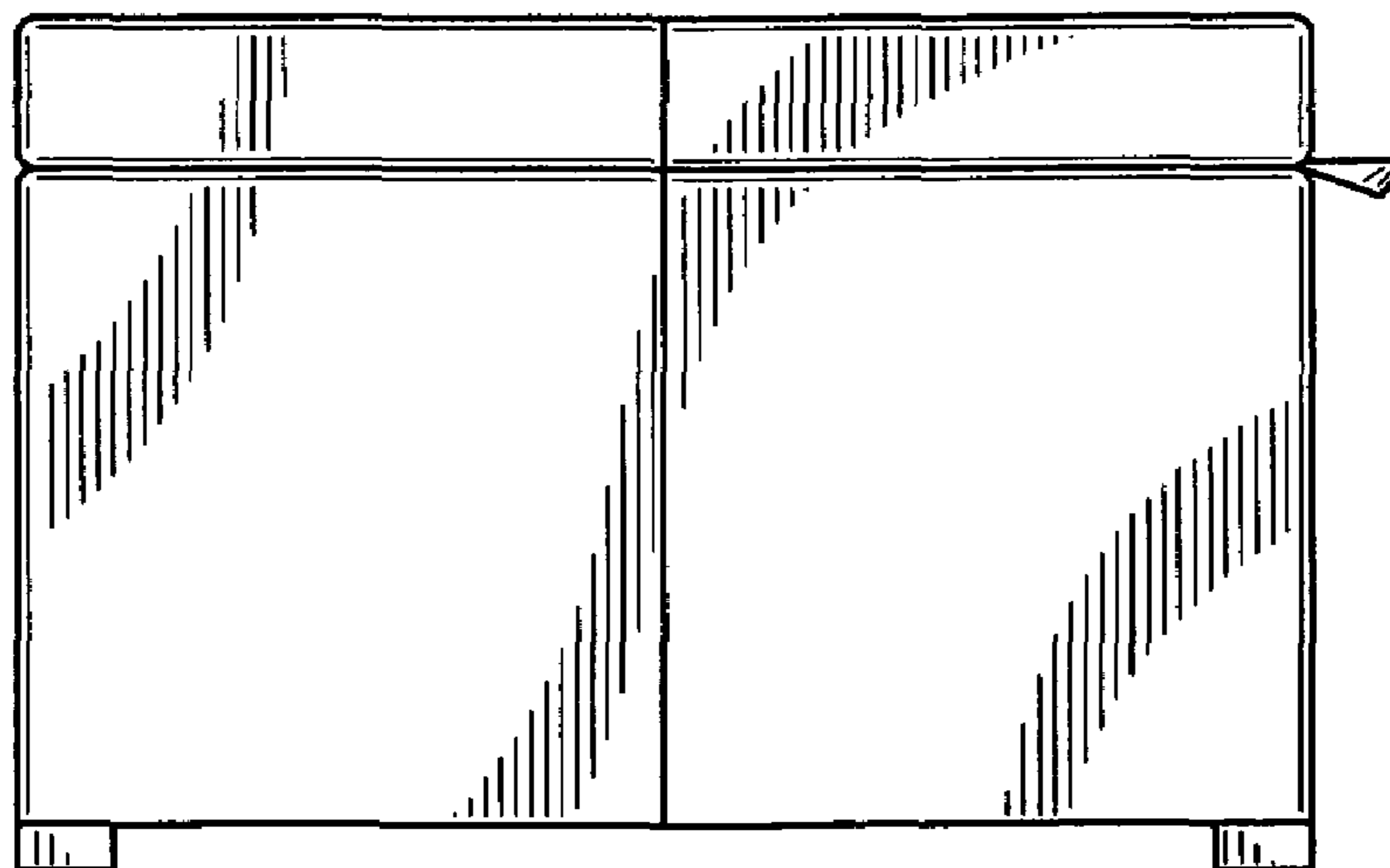


FIG. 3

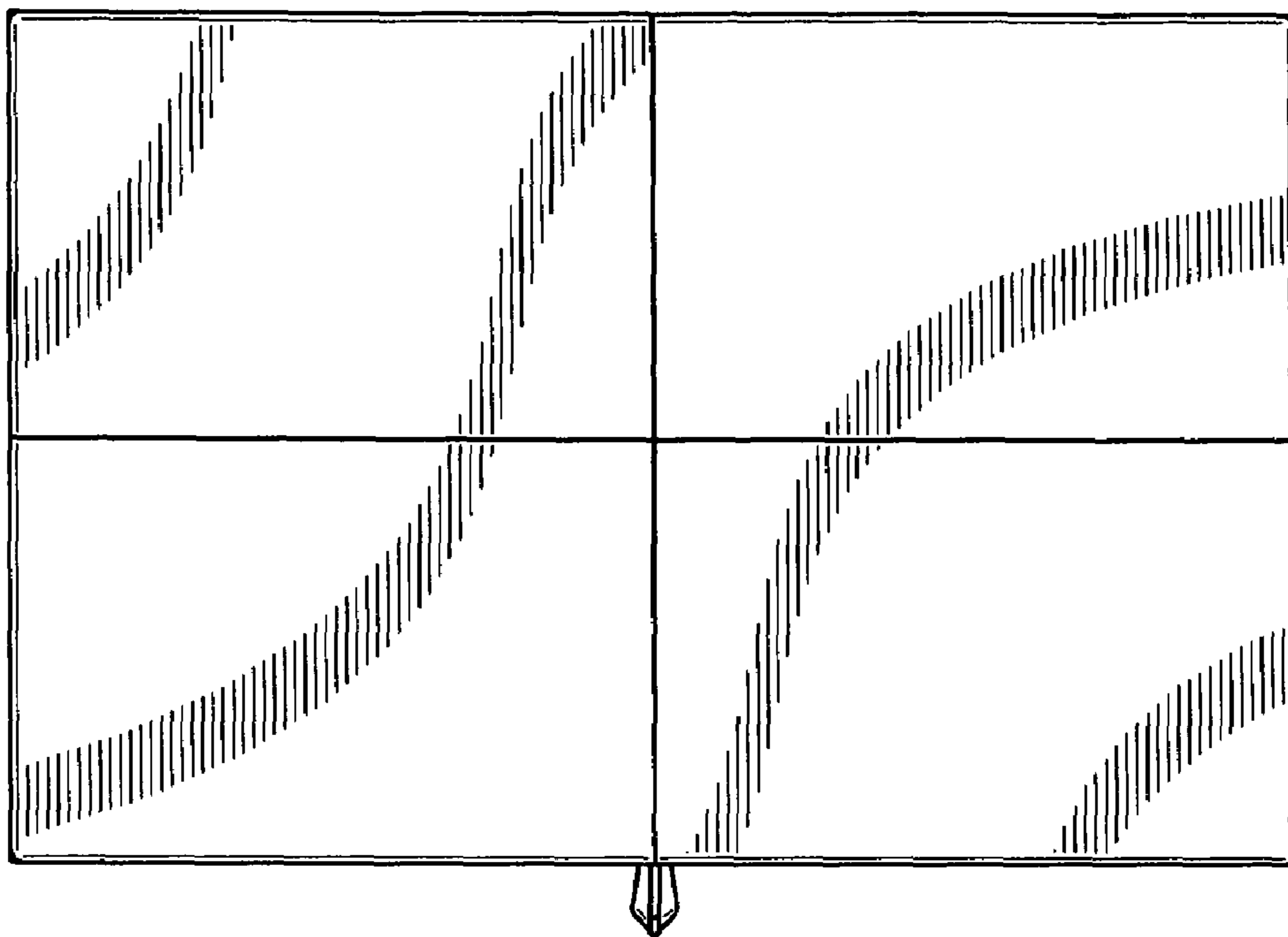


FIG. 4

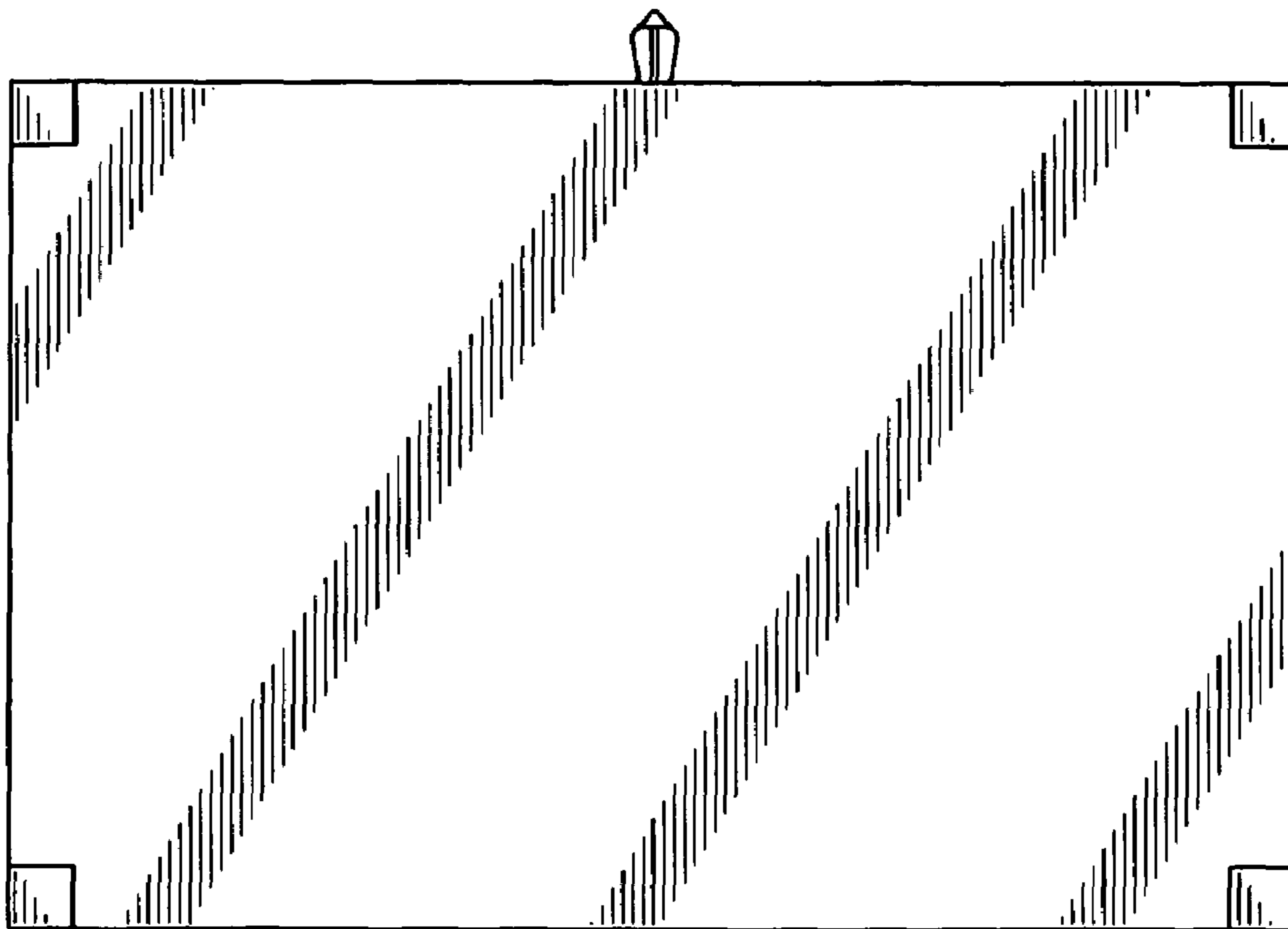


FIG. 5

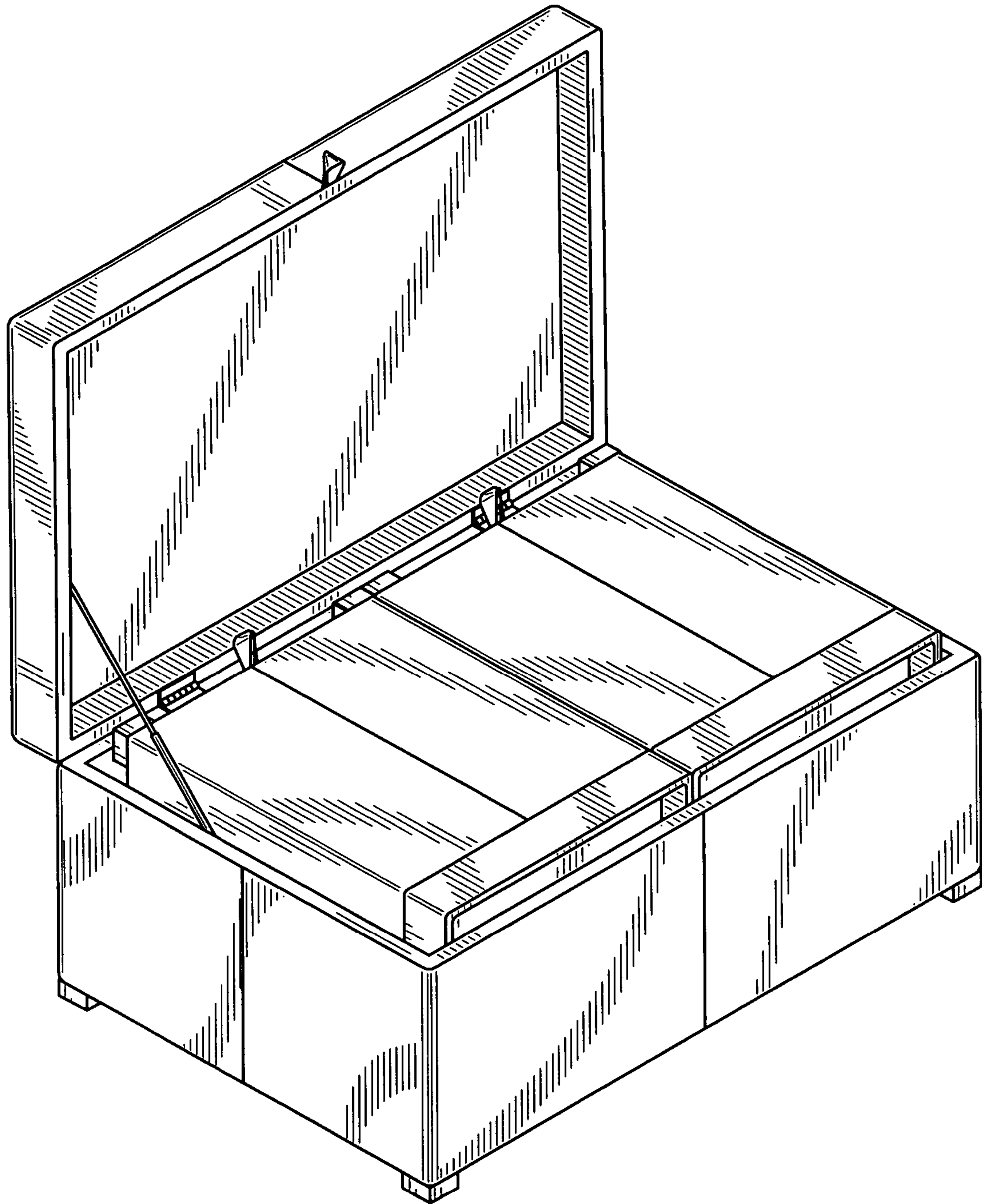


FIG. 6

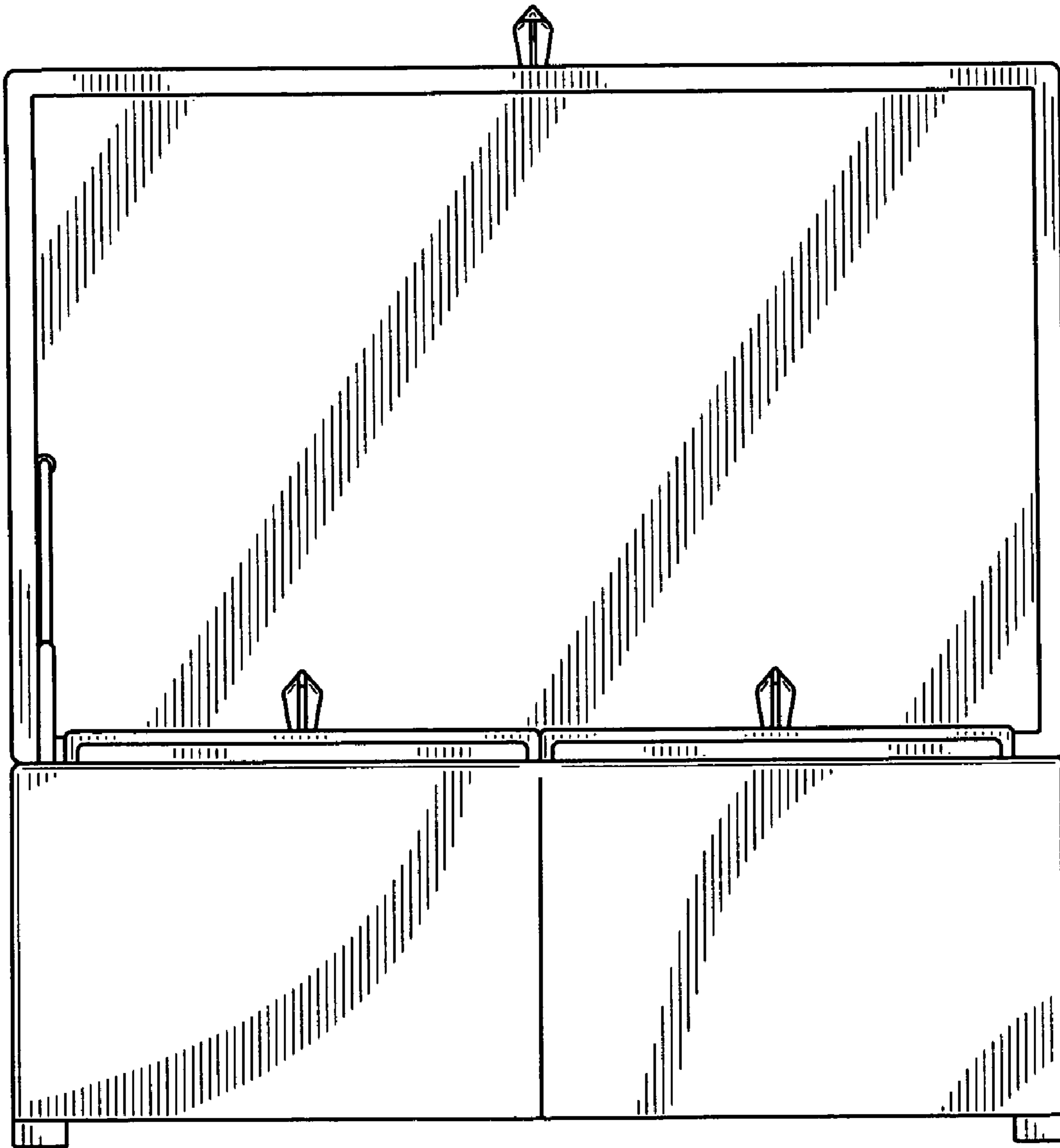


FIG. 7

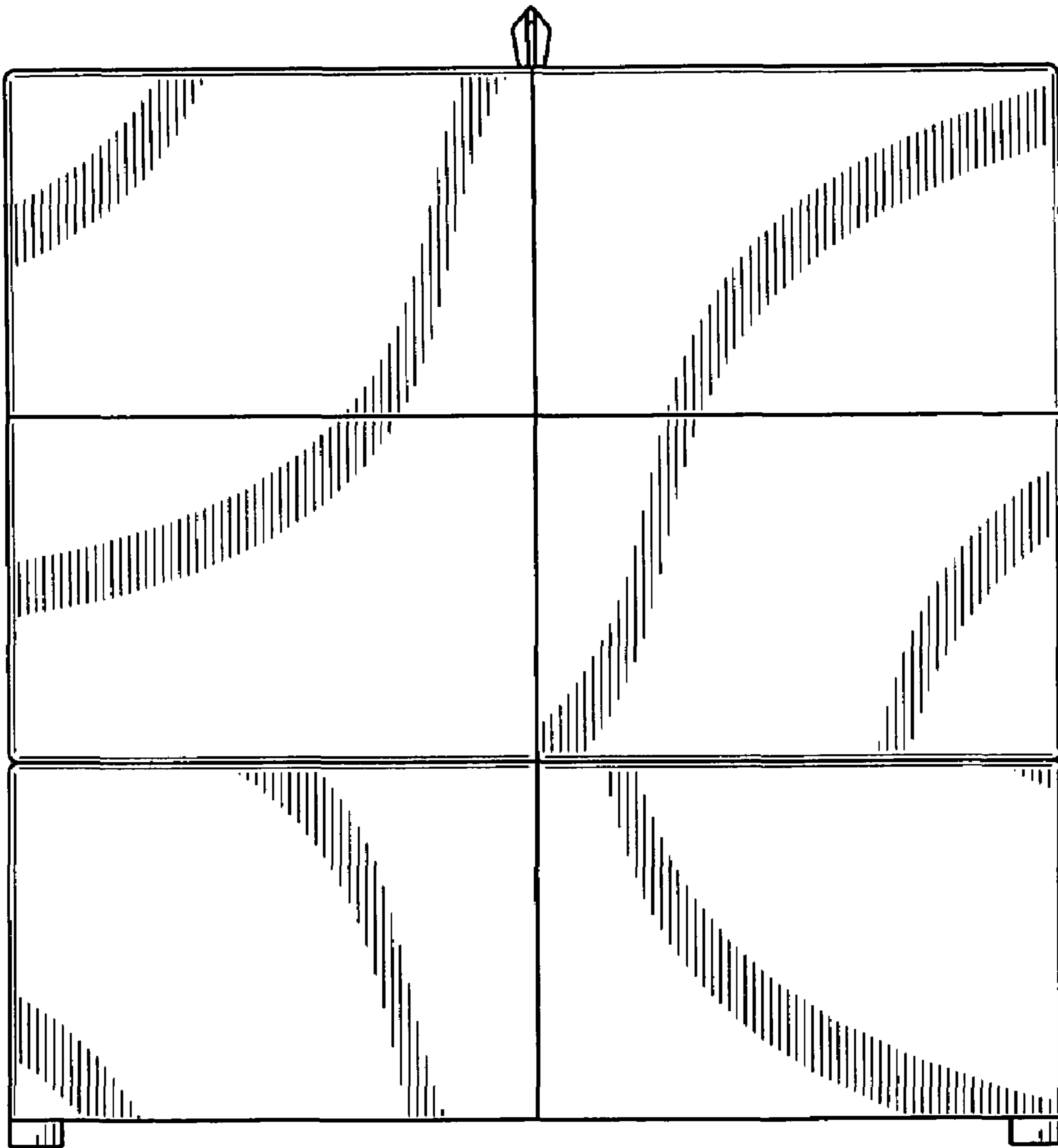


FIG. 8

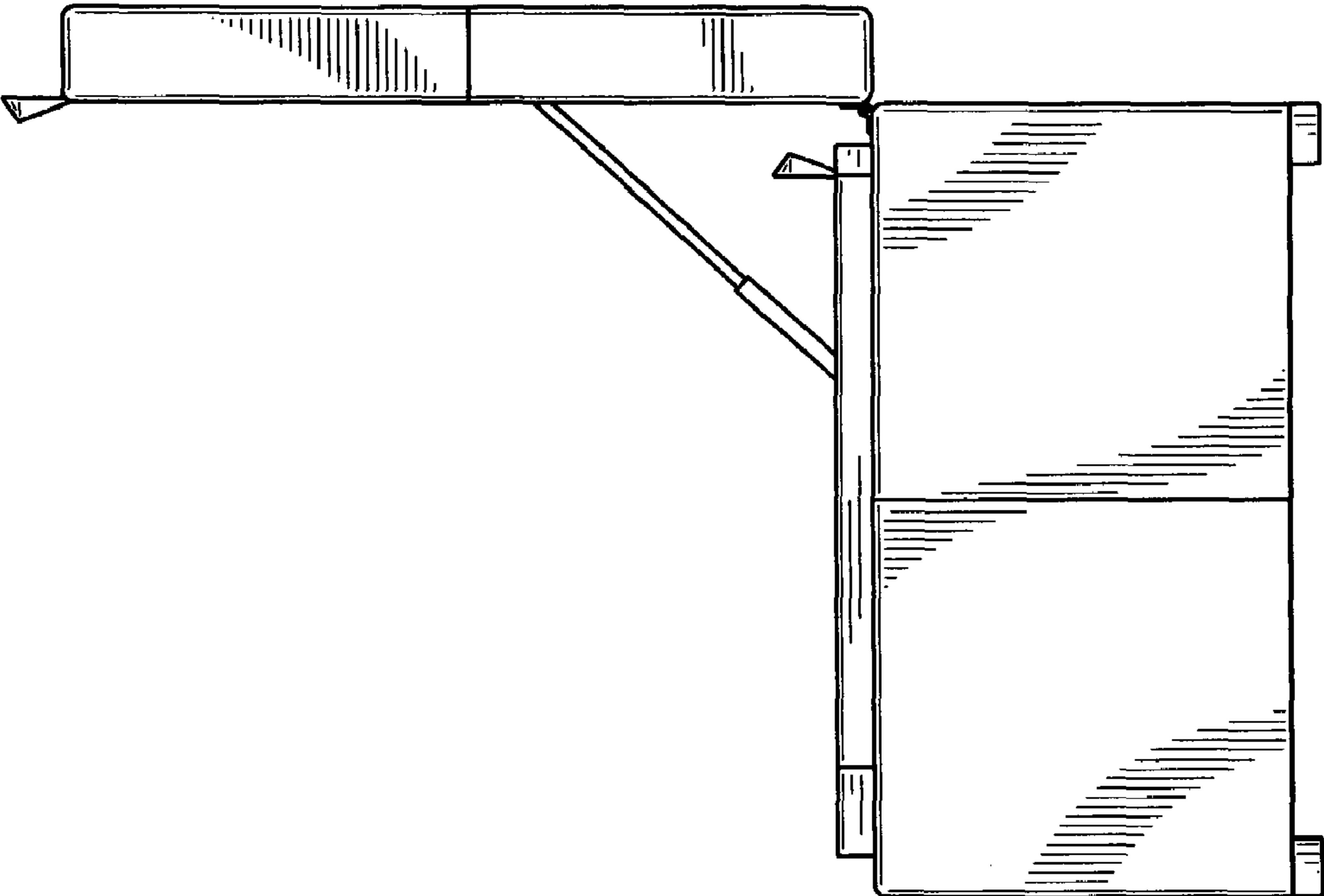


FIG. 10

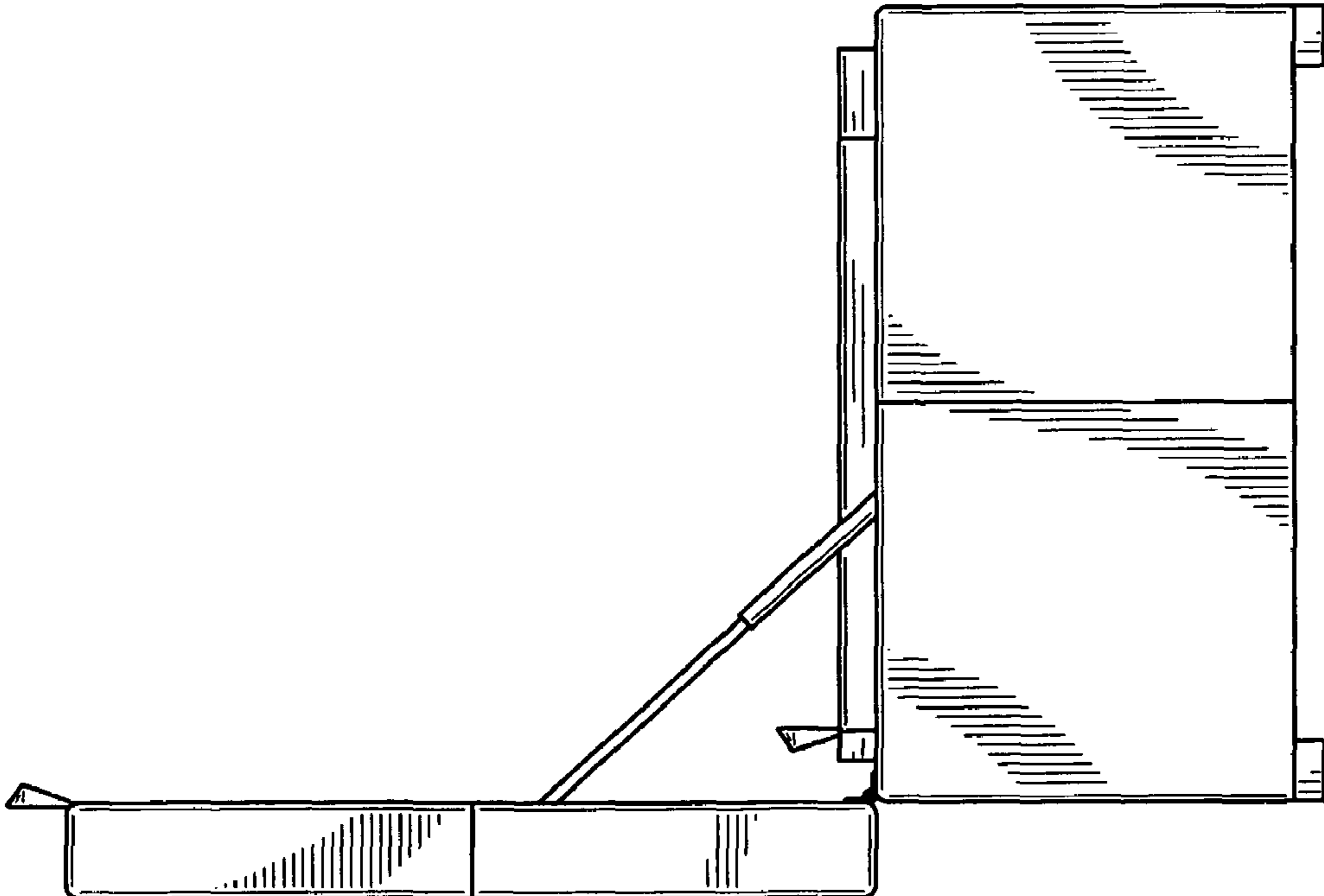


FIG. 9

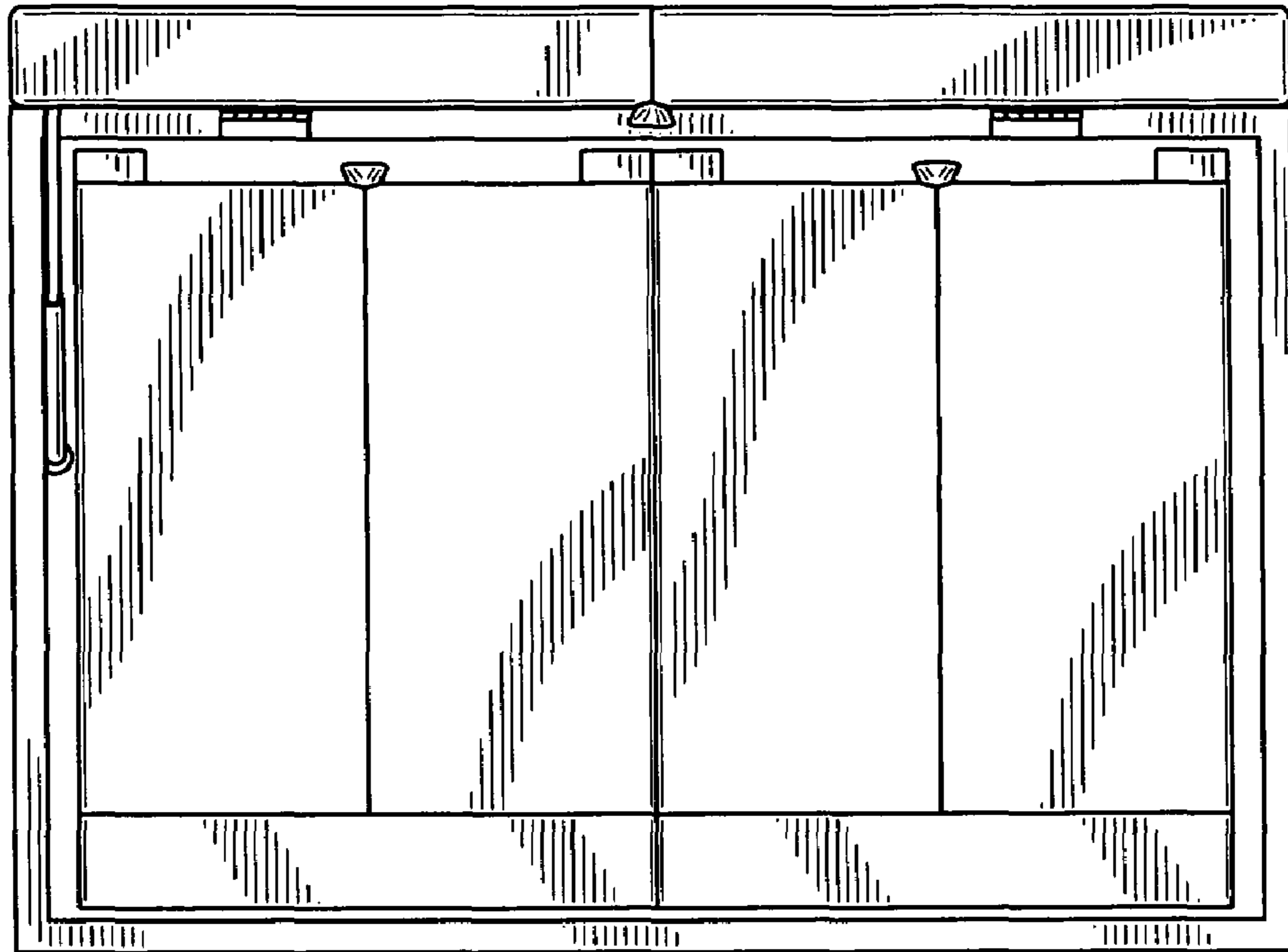


FIG. 11

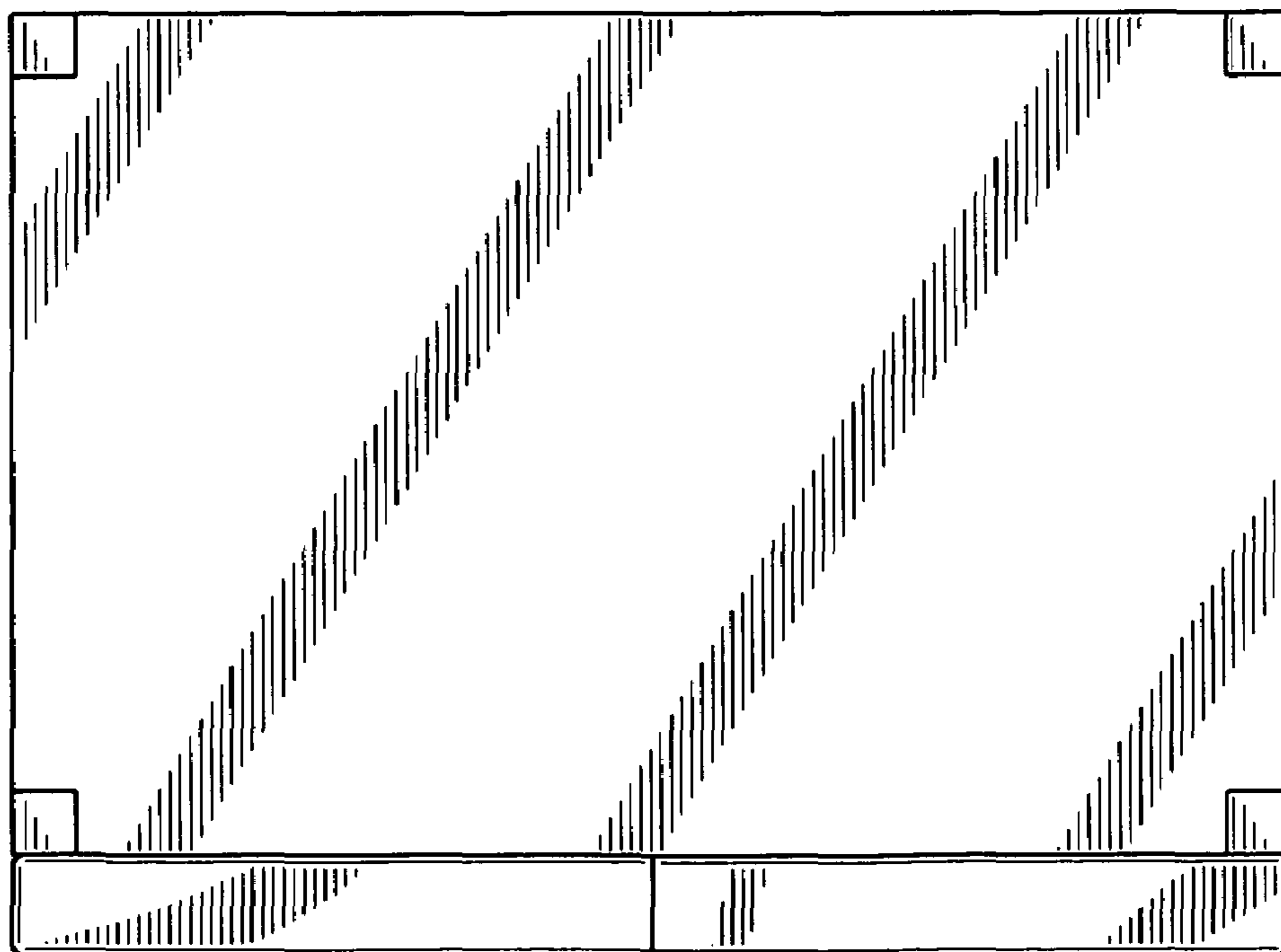


FIG. 12

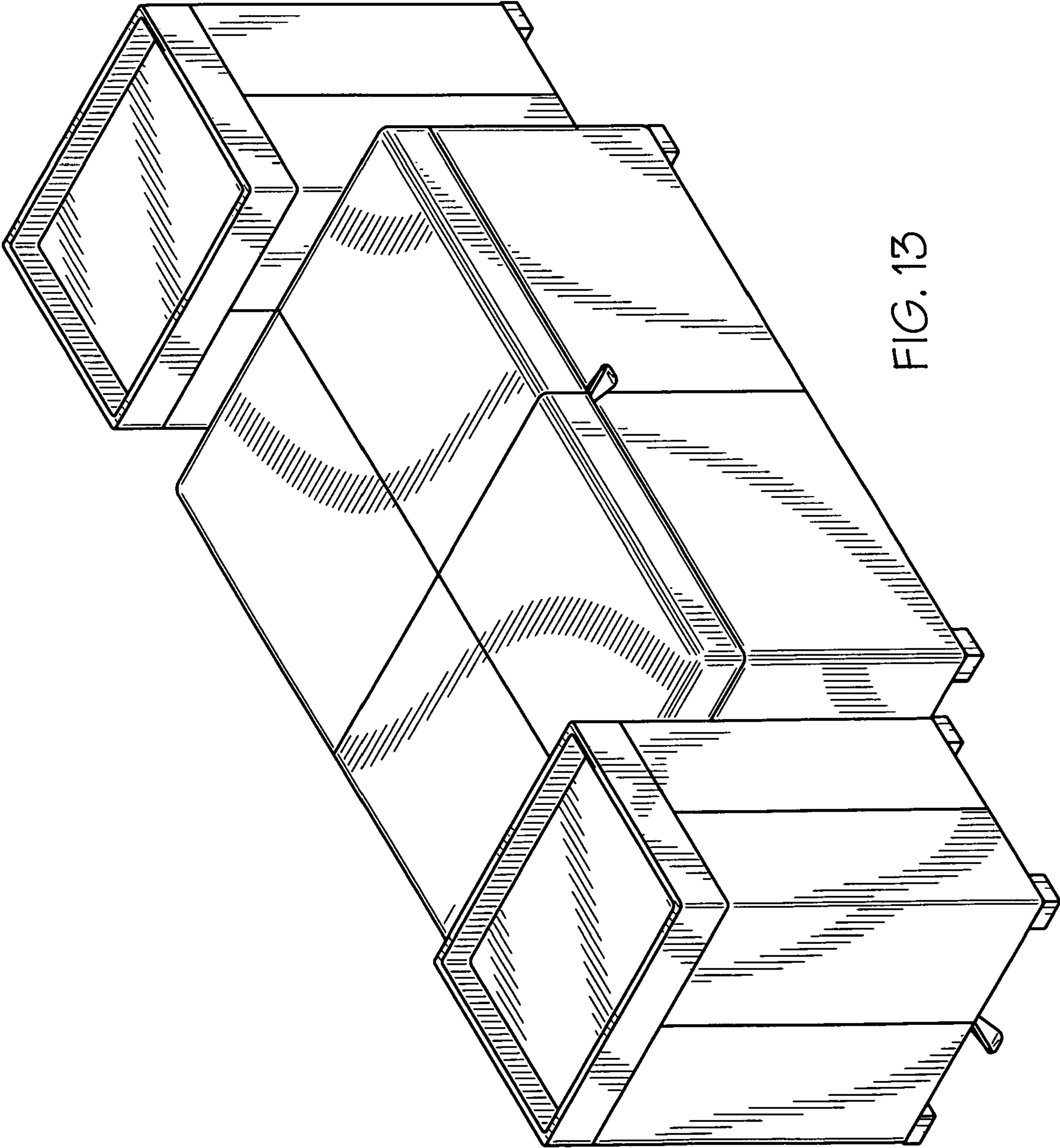


FIG. 13

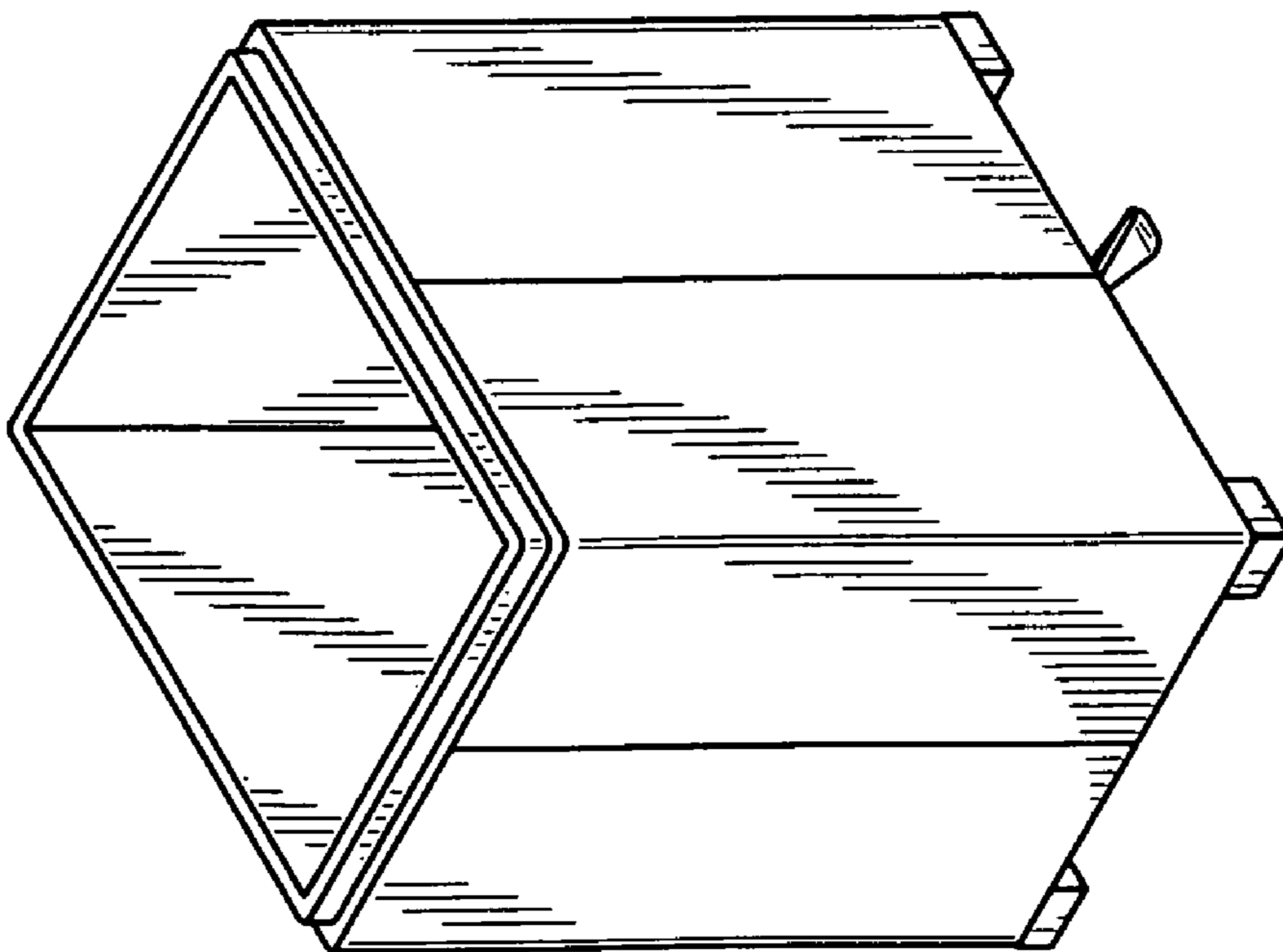


FIG. 14

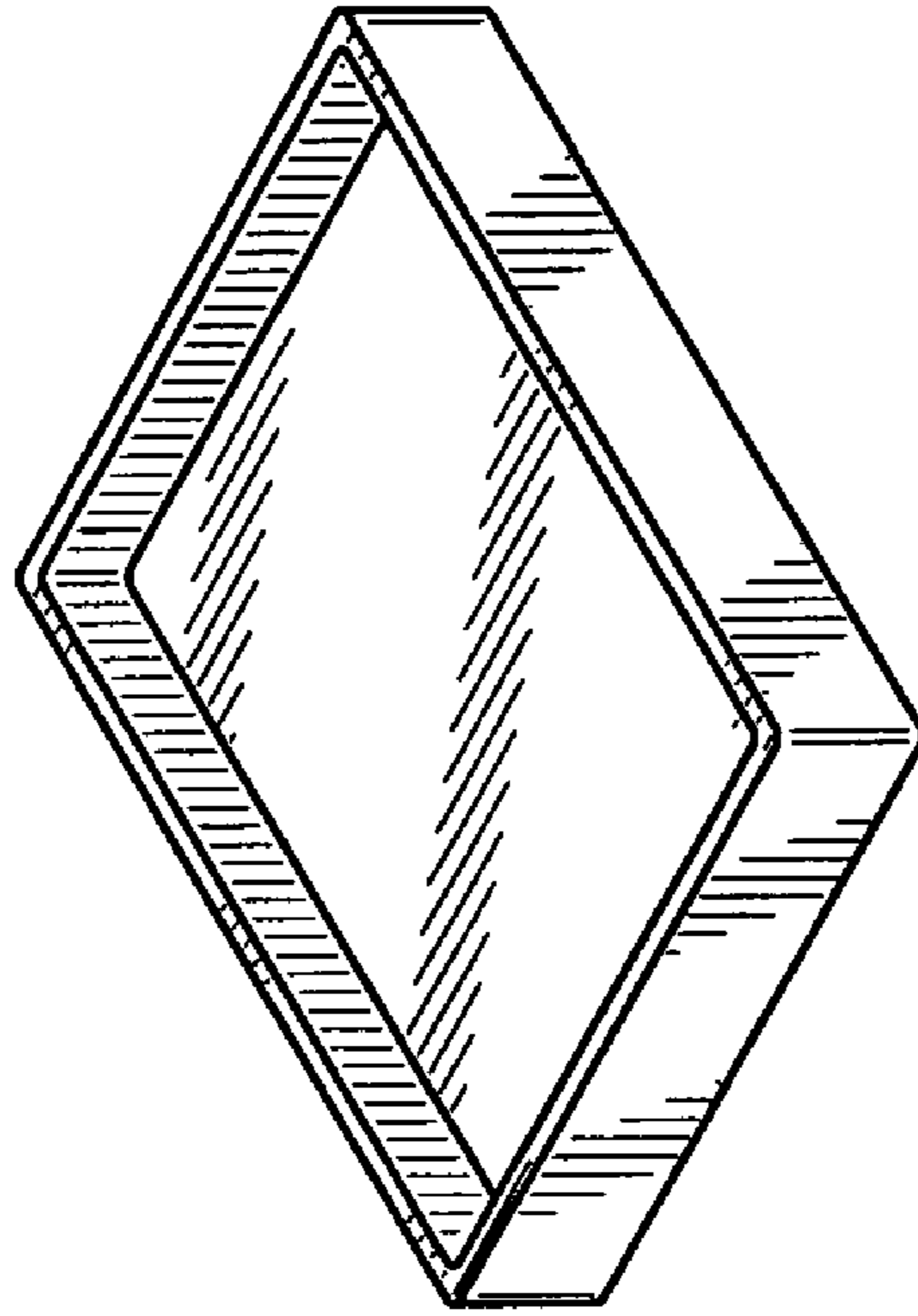


FIG. 15