



US00D613517S

(12) **United States Design Patent**
Yamanaka et al.

(10) **Patent No.:** **US D613,517 S**
(45) **Date of Patent:** **** Apr. 13, 2010**

(54) **CHAIR**

(75) Inventors: **Shunji Yamanaka**, Tokyo (JP); **Hisato Ogata**, Tokyo (JP); **Kousuke Tokui**, Osaka (JP)

(73) Assignee: **Kokuyo Co., Ltd.**, Osaka (JP)

(**) Term: **14 Years**

(21) Appl. No.: **29/333,711**

(22) Filed: **Mar. 13, 2009**

(30) **Foreign Application Priority Data**

Oct. 17, 2008 (JP) 2008-026778

(51) **LOC (9) Cl.** **06-01**

(52) **U.S. Cl.** **D6/366**

(58) **Field of Classification Search** D6/334-336,
D6/364, 365, 366, 367, 379, 500-502; 297/411.2,
297/411.29, 452.21, 452.29, 452.35, 452.37,
297/452.48

See application file for complete search history.

(56) **References Cited**

U.S. PATENT DOCUMENTS

D276,576 S * 12/1984 Helmholdt D6/366
D346,909 S * 5/1994 Obata et al. D6/366
D348,571 S * 7/1994 Obata et al. D6/366
D472,080 S * 3/2003 Kita D6/500

D500,211 S * 12/2004 Koch et al. D6/366
D548,993 S * 8/2007 Fancelli D6/366
D557,918 S * 12/2007 Nakamura et al. D6/366
D575,960 S * 9/2008 Su D6/366

* cited by examiner

Primary Examiner—Mimosa De

(74) *Attorney, Agent, or Firm*—Dennis R. Haszko; Eaton Peabody Patent Group, LLC

(57) **CLAIM**

The ornamental design for a chair, as shown and described.

DESCRIPTION

FIG. 1 is a front perspective view of a chair showing our new design;

FIG. 2 is a rear perspective view thereof;

FIG. 3 is a front view thereof;

FIG. 4 is a rear view thereof;

FIG. 5 is a top view thereof;

FIG. 6 is a bottom view thereof;

FIG. 7 is a right side view thereof;

FIG. 8 is a left side view thereof; and,

FIG. 9 is an enlarged sectional view thereof taken along section line A—A in FIG. 3, in which a portion of the chair is not shown in order to provide the enlarged view.

1 Claim, 9 Drawing Sheets

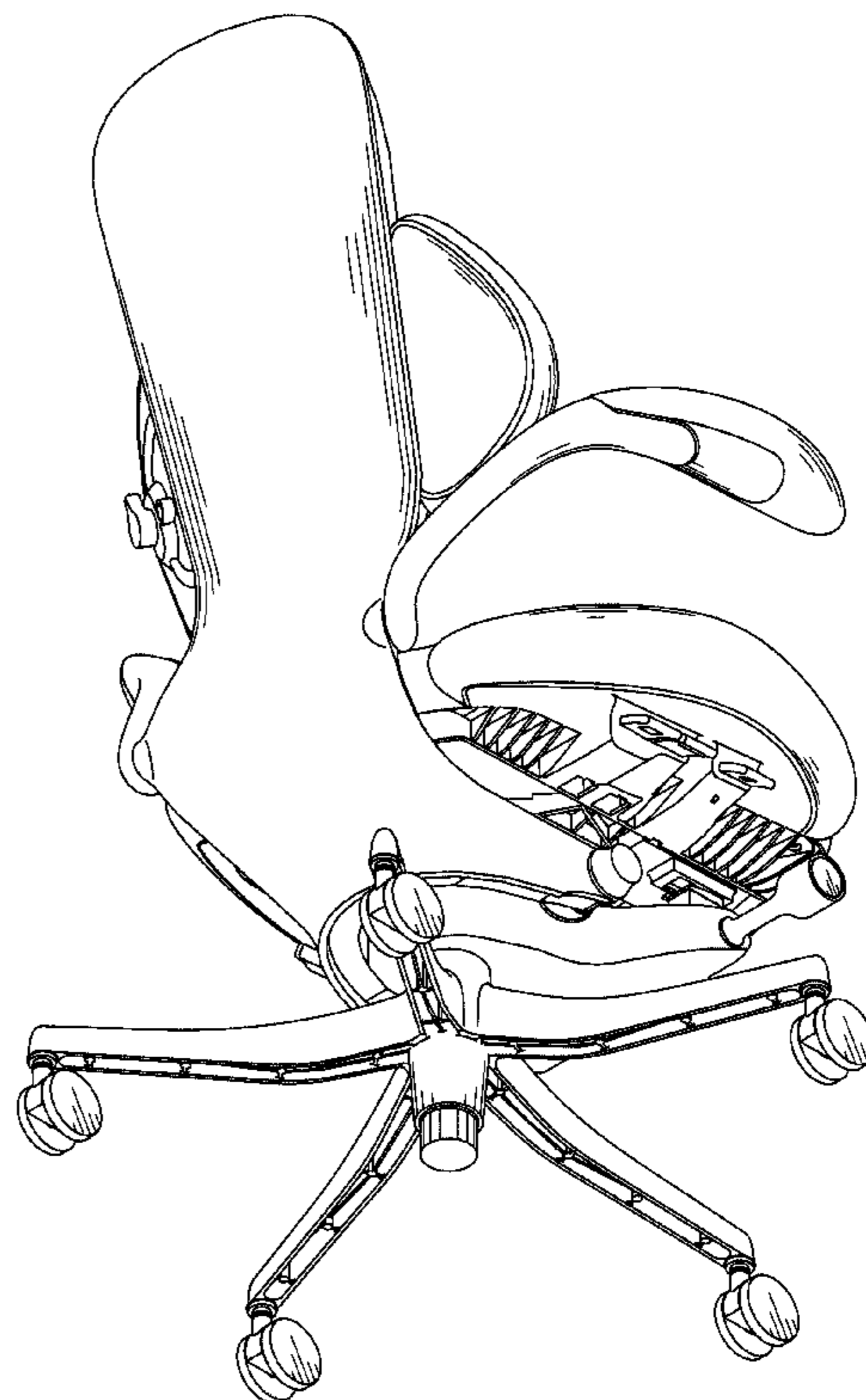
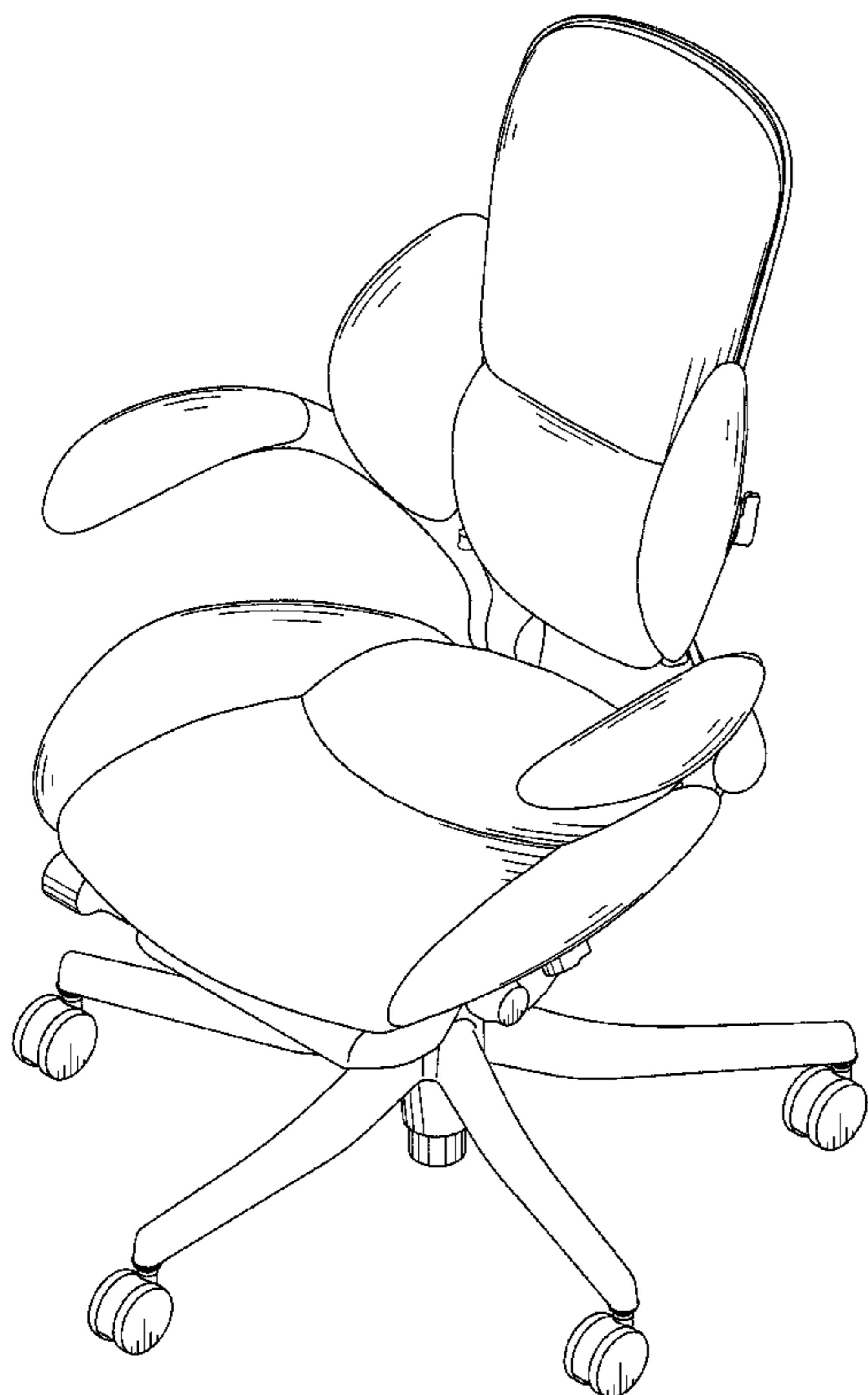




FIG.1

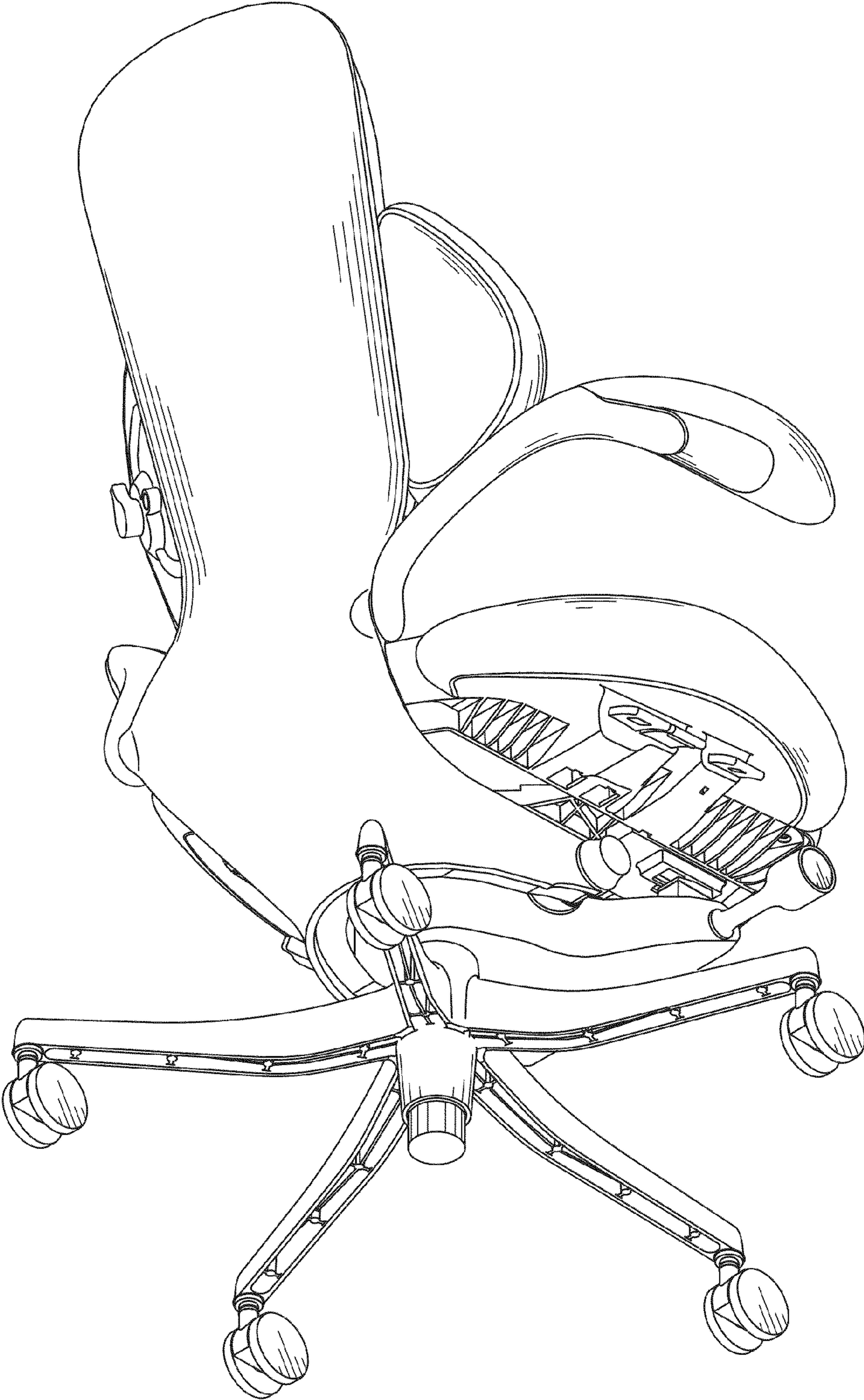
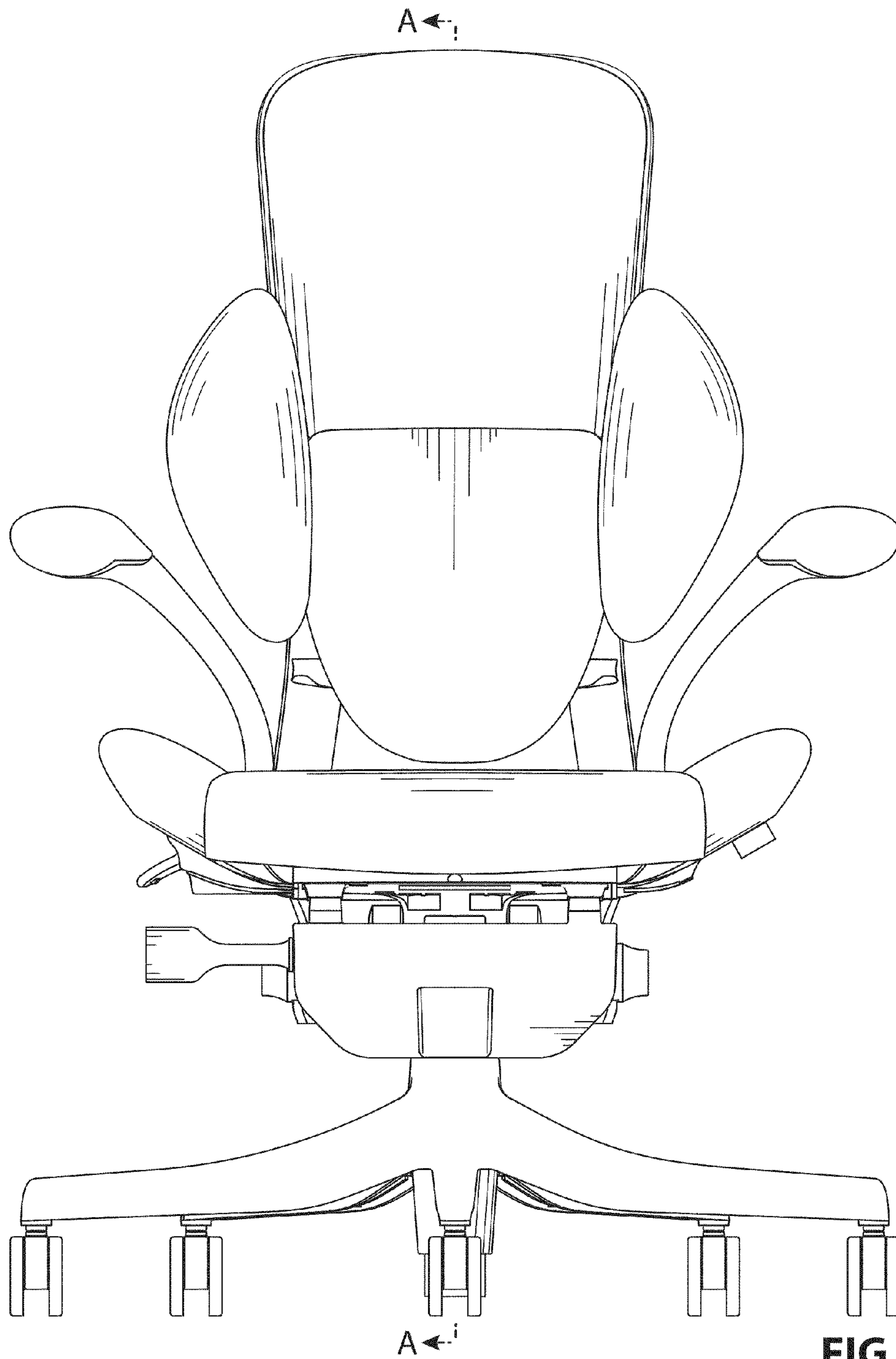


FIG.2



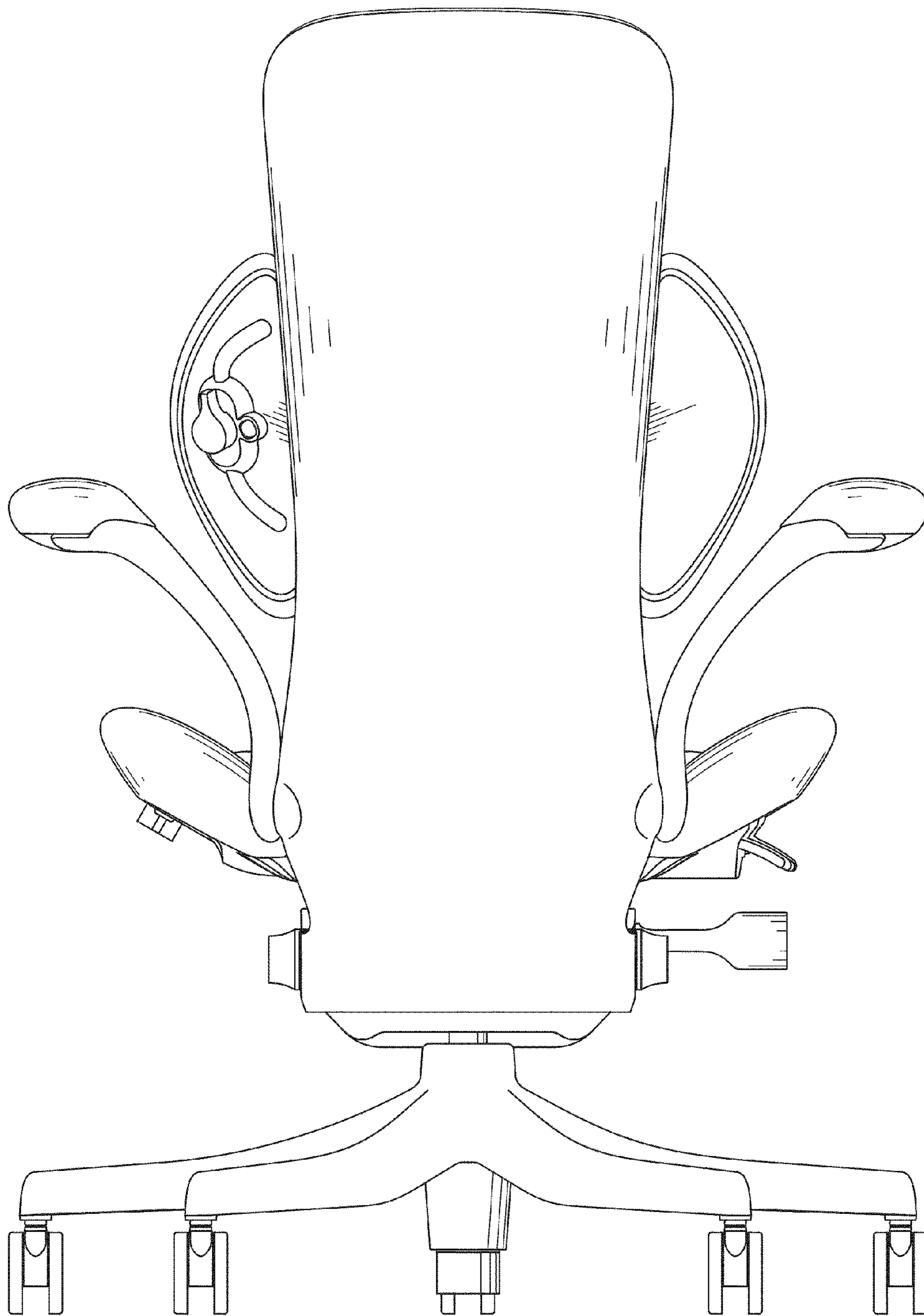


FIG.4

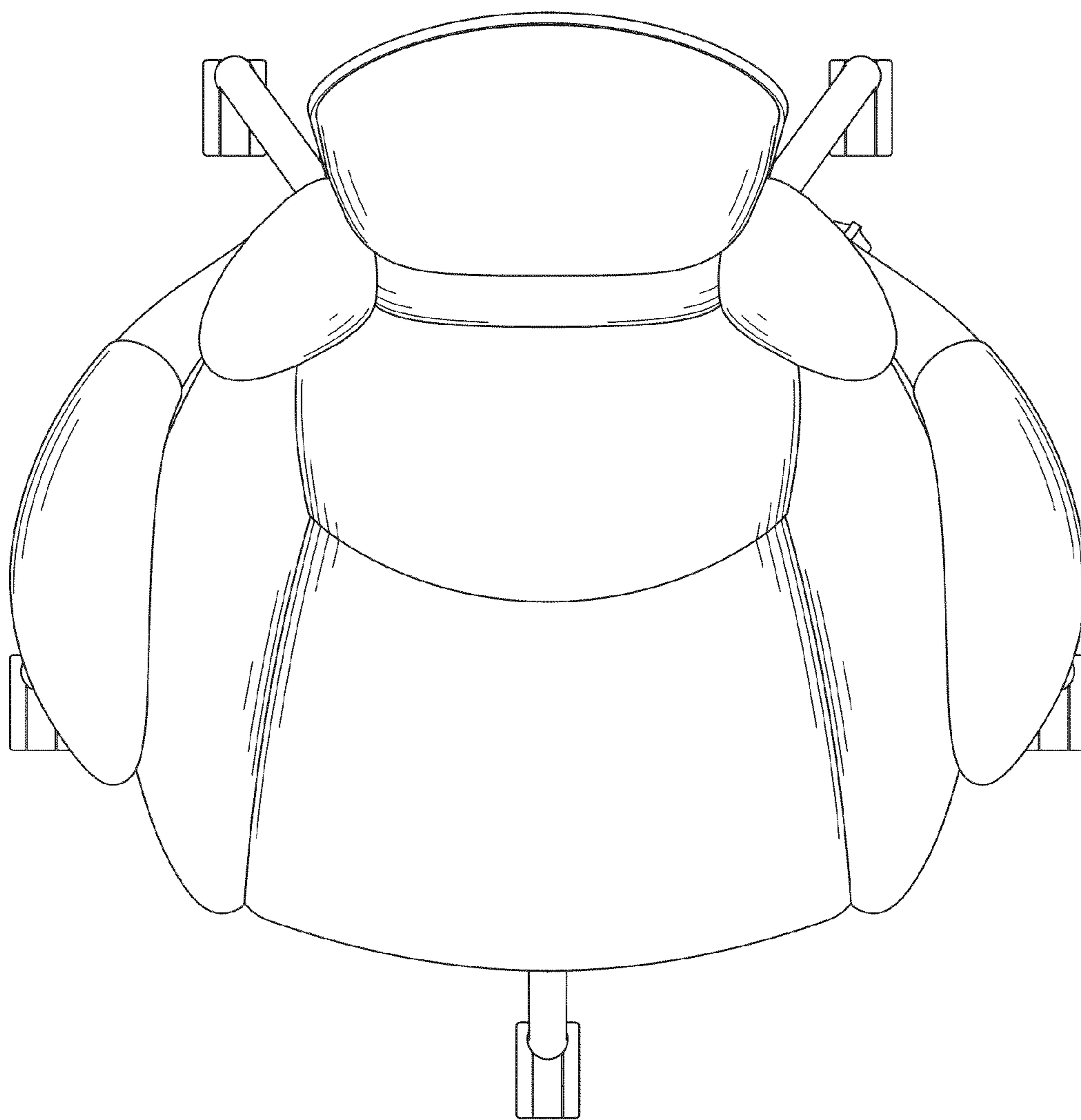


FIG.5

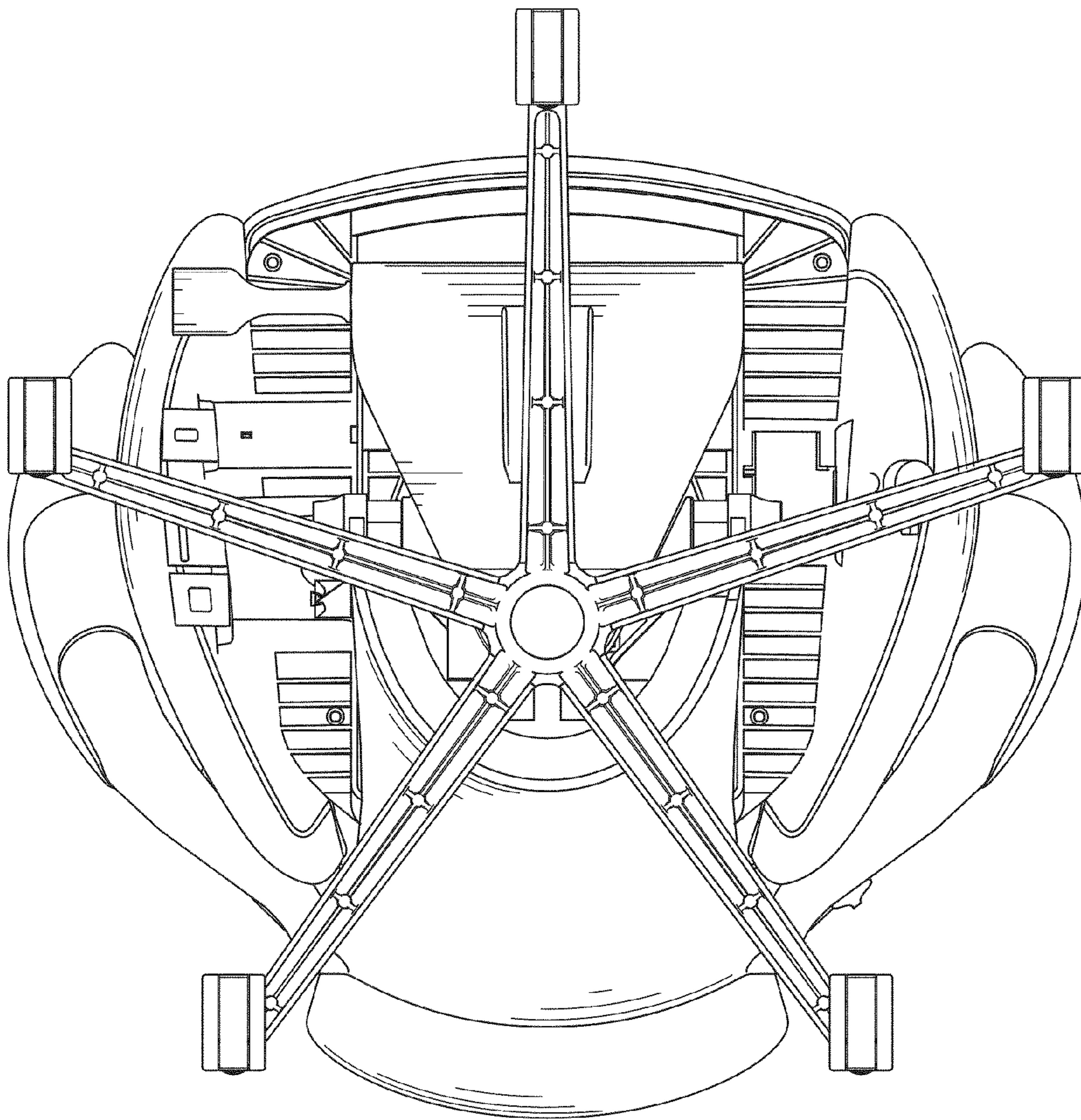


FIG.6

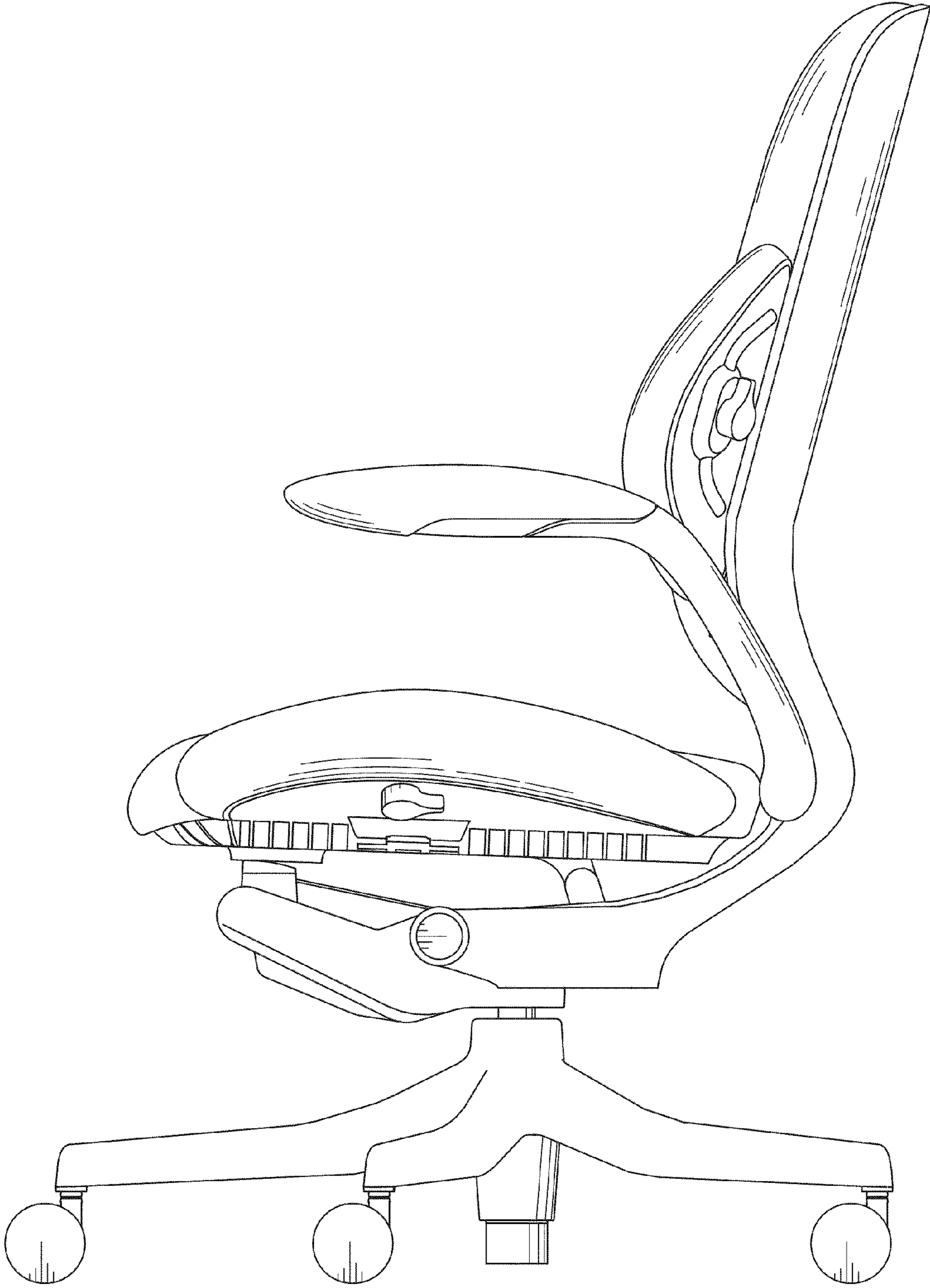


FIG.7

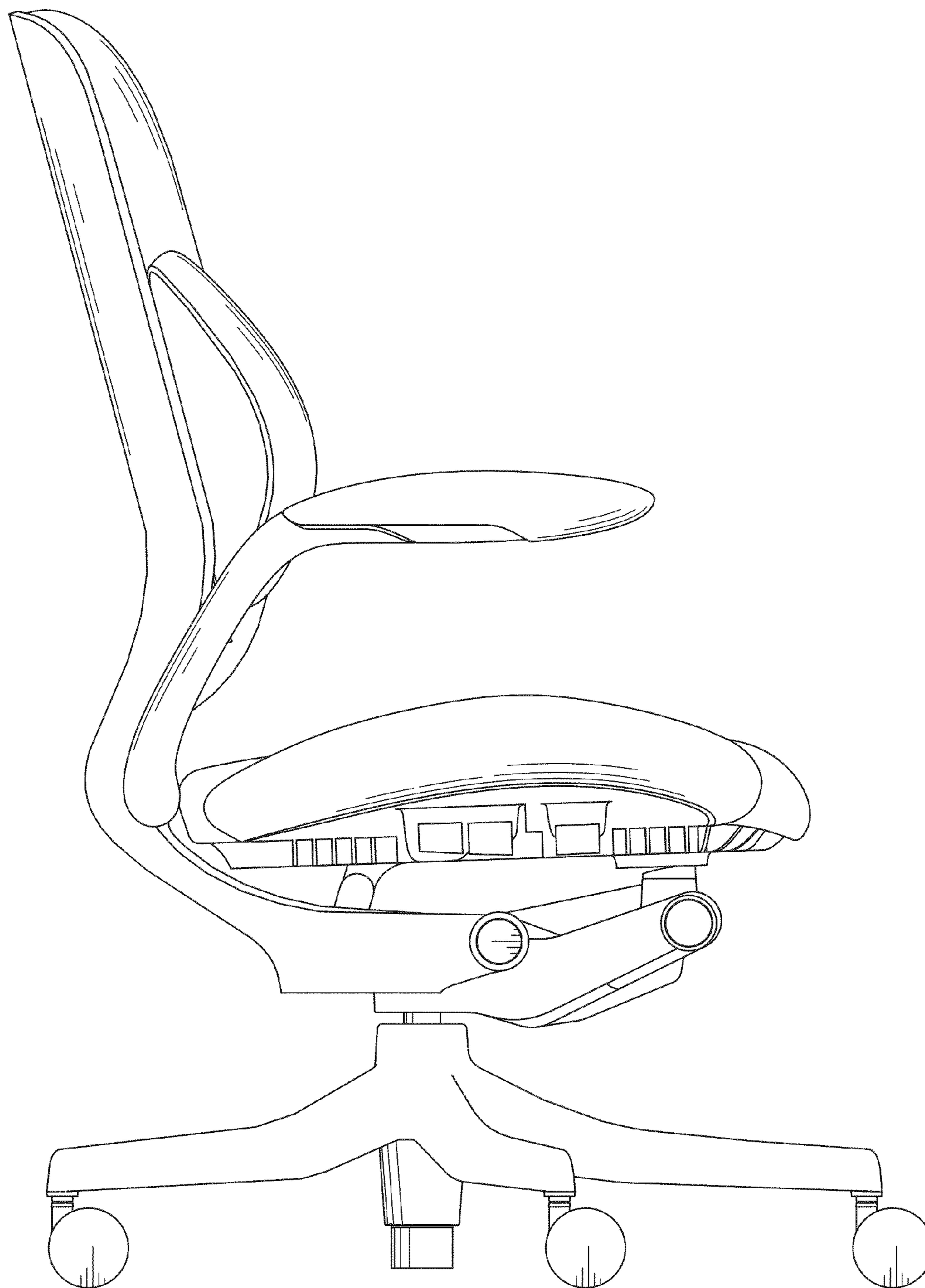


FIG.8

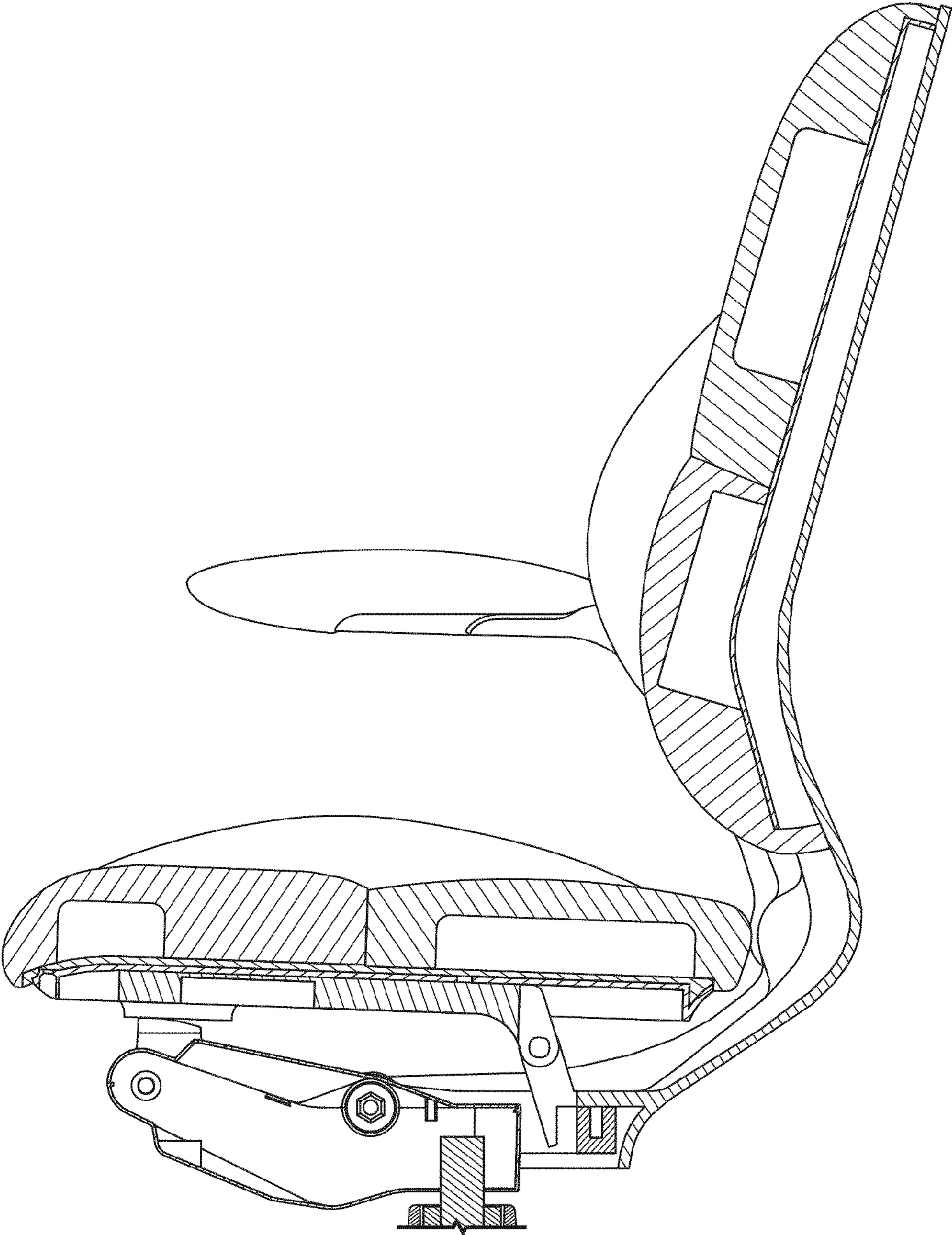


FIG.9