



US00D613515S

(12) **United States Design Patent**  
**Weaks**

(10) **Patent No.:** **US D613,515 S**

(45) **Date of Patent:** **\*\* Apr. 13, 2010**

(54) **SHAMPOO SPA CHAIR**

(76) **Inventor:** **Frenchee Shivell Weaks**, 133 Brookhill Park Ct., Rural Hall, NC (US) 27045

(\*\*) **Term:** **14 Years**

(21) **Appl. No.:** **29/314,486**

(22) **Filed:** **Apr. 6, 2009**

(51) **LOC (9) Cl.** ..... **06-01**

(52) **U.S. Cl.** ..... **D6/335**

(58) **Field of Classification Search** ..... D6/330, D6/335-338, 340, 349-355, 358, 359, 364, D6/366, 376, 491, 495, 500-502; 297/16.1, 297/39, 46, 135, 140, 156, 158.3, 158.4, 297/175, 177, 187, 195.1, 195.11, 211, 245, 297/423.1, 423.16, 445.1, 461, 462; D23/277  
See application file for complete search history.

(56) **References Cited**

**U.S. PATENT DOCUMENTS**

2,172,589	A *	9/1939	Middleton	.....	4/516
2,474,572	A *	6/1949	Brose et al.	.....	4/523
2,494,957	A *	1/1950	Morgan	.....	4/517
2,697,480	A *	12/1954	Du Bois et al.	.....	297/325
2,951,531	A *	9/1960	Dantes	.....	297/182
3,505,691	A *	4/1970	Reynolds et al.	.....	4/517
3,633,222	A *	1/1972	Greenfield	.....	4/517
4,240,662	A *	12/1980	Anderson	.....	297/17
D267,599	S *	1/1983	Fator	.....	D6/334
4,754,503	A *	7/1988	Martin	.....	4/517
4,841,584	A *	6/1989	Overcash et al.	.....	4/519
4,918,767	A *	4/1990	Benting	.....	4/517
5,181,284	A *	1/1993	Raphael et al.	.....	4/572.1
5,924,145	A *	7/1999	Najar	.....	4/523
D422,345	S *	4/2000	Dixon	.....	D23/278
6,112,343	A *	9/2000	Dixon	.....	4/572.1

6,212,703	B1 *	4/2001	Shimizu	.....	4/515
6,243,890	B1 *	6/2001	Yang	.....	4/572.1
D454,182	S *	3/2002	Allison	.....	D23/278
6,507,959	B1 *	1/2003	Sundberg et al.	.....	4/572.1
D469,860	S *	2/2003	Riemer et al.	.....	D23/278
6,517,162	B2 *	2/2003	Cheng	.....	297/440.14
D472,720	S *	4/2003	Cheng	.....	D6/335
6,785,917	B1 *	9/2004	Bryant	.....	4/572.1
2004/0075314	A1 *	4/2004	Gillespie	.....	297/217.1
2005/0210574	A1 *	9/2005	Brendel	.....	4/515

\* cited by examiner

*Primary Examiner*—Sandra Snapp

(57) **CLAIM**

The ornamental design for a shampoo spa chair, as shown and described.

**DESCRIPTION**

FIG. 1 is a top plan view of a shampoo spa chair showing my new design, with the chairback shown in a reclined position at a 45° angle;

FIG. 2 is a bottom plan view thereof;

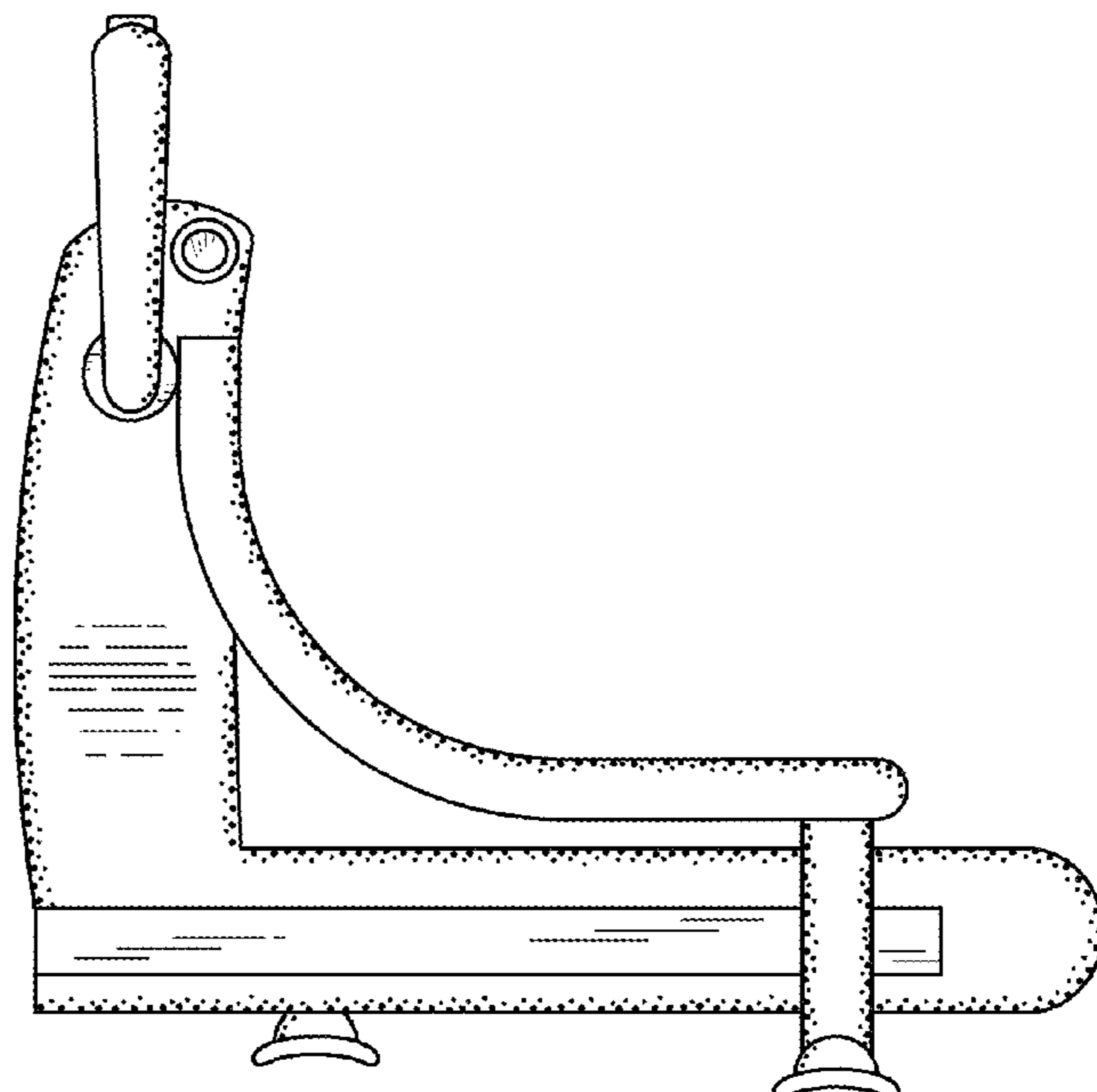
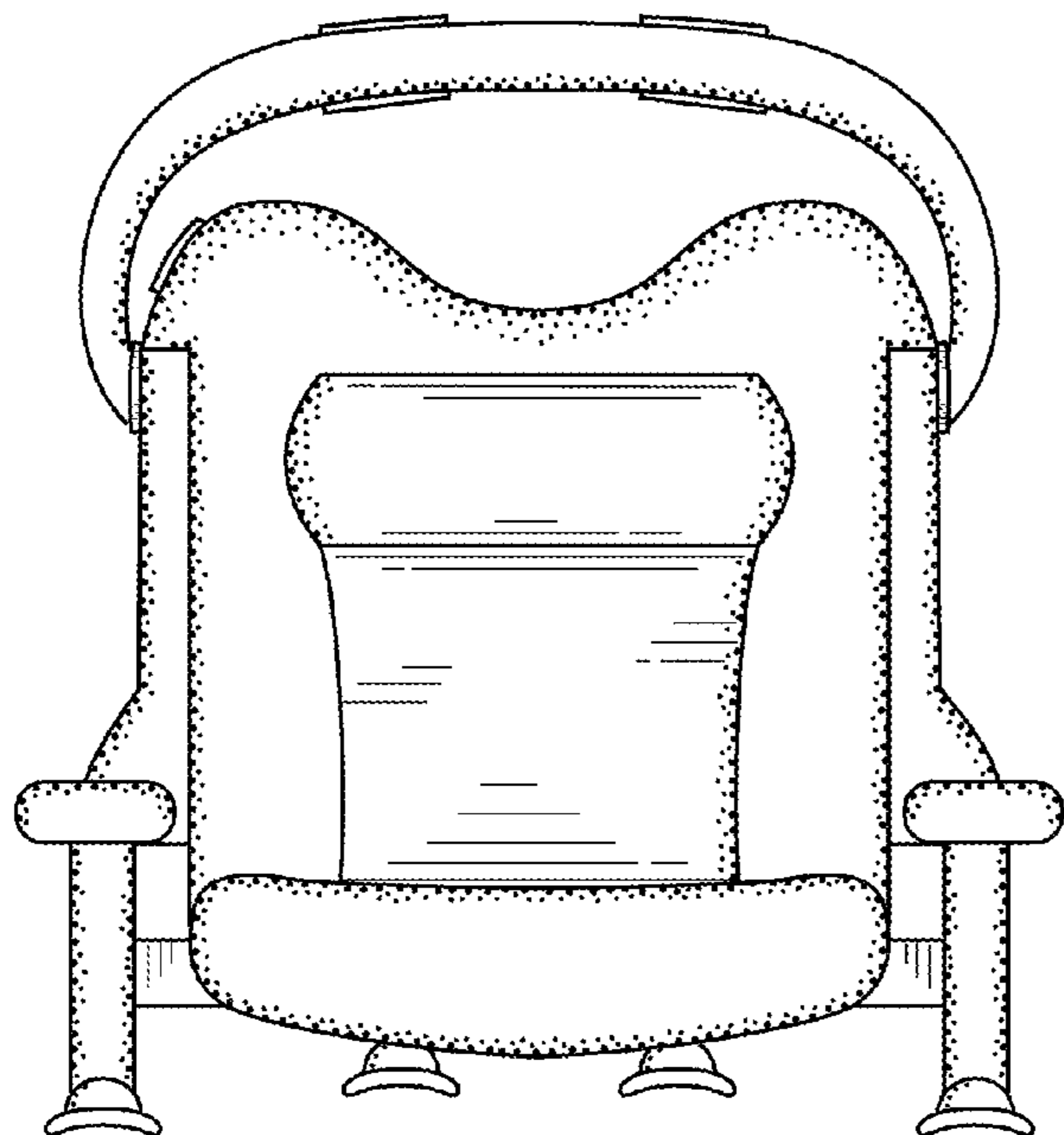
FIG. 3 is a front elevational view of my shampoo spa chair as shown in FIG. 1 with the chairback raised in an upright position;

FIG. 4 is a rear elevational view of my shampoo spa chair as shown in FIG. 3, with the handle shown in a lowered position; and,

FIG. 5 is a side elevational view of my shampoo spa chair as shown in FIG. 3.

The shower head and shampoo bottles shown in dashed lines are included for the purpose of illustrating environment and form no part of the claimed design.

**1 Claim, 5 Drawing Sheets**



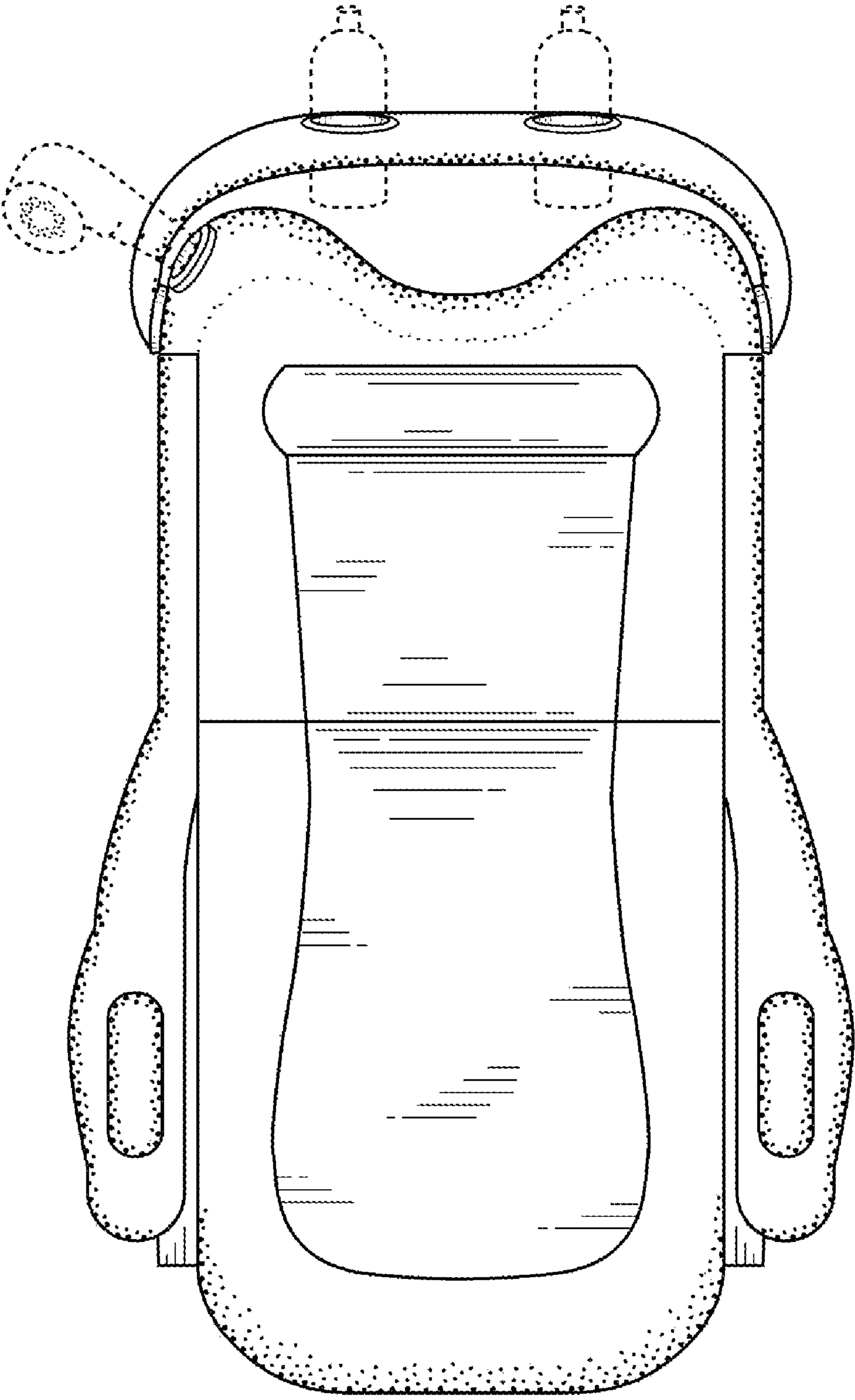


Fig. 1

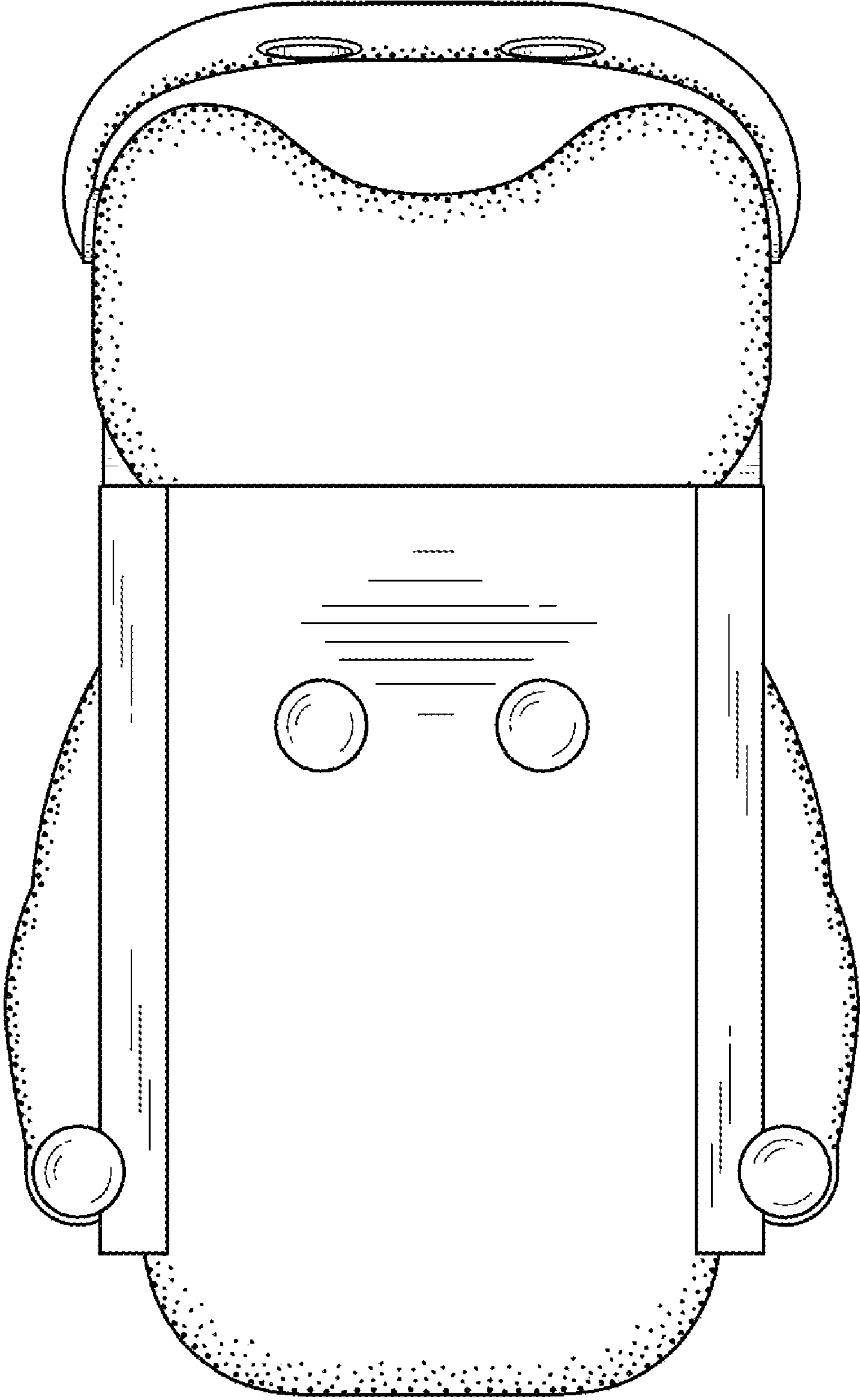


Fig. 2

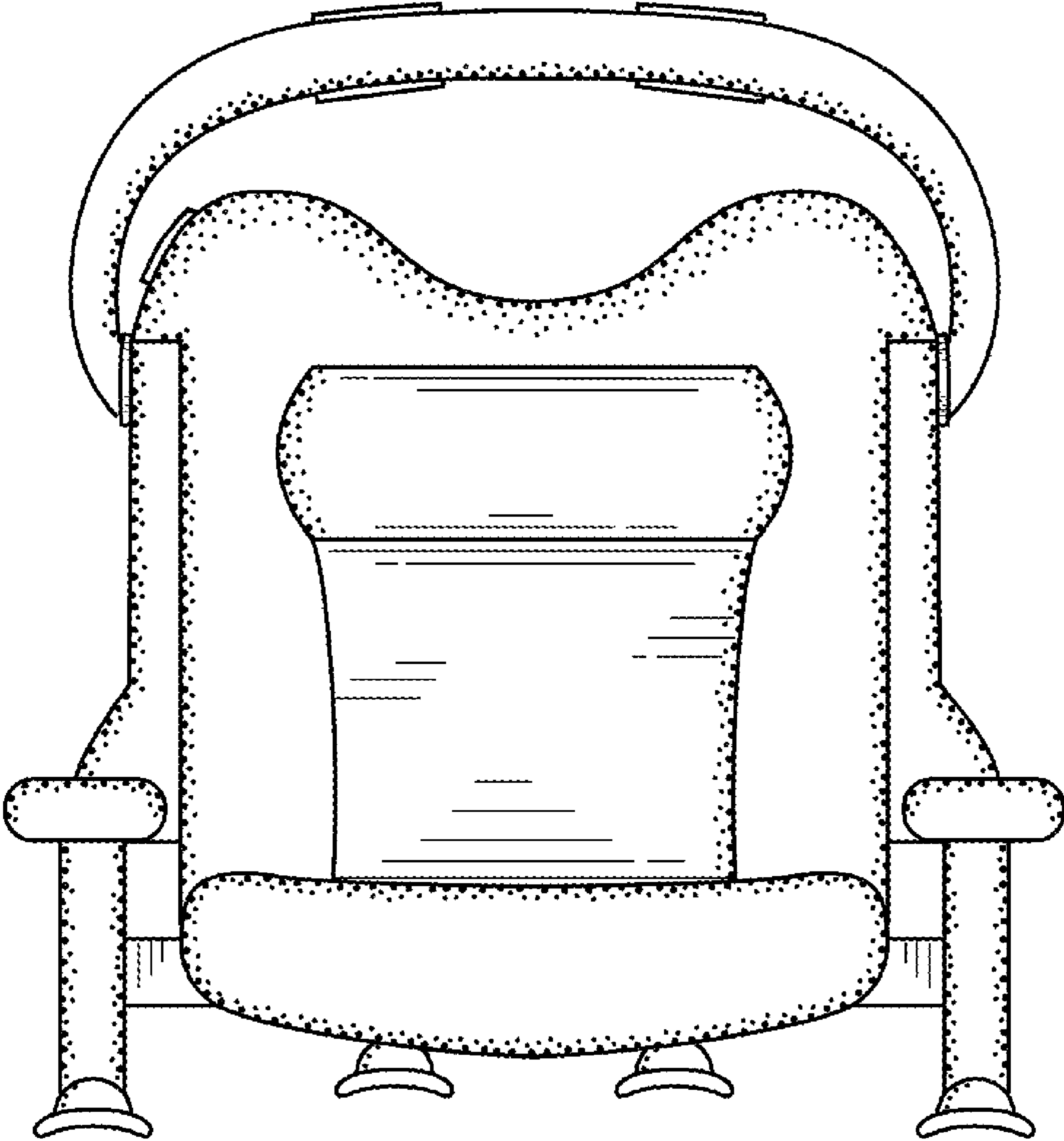


Fig. 3

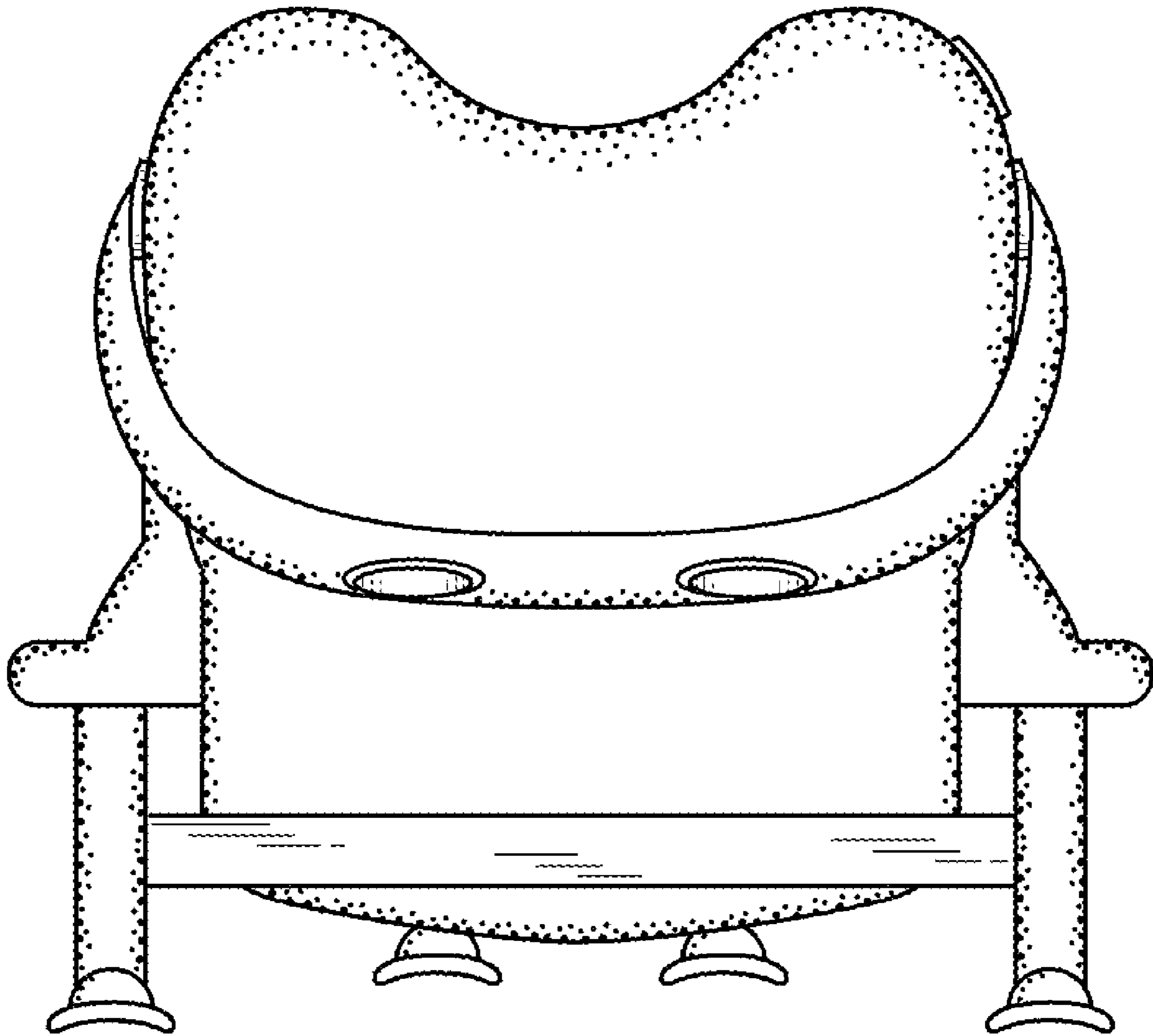


Fig. 4

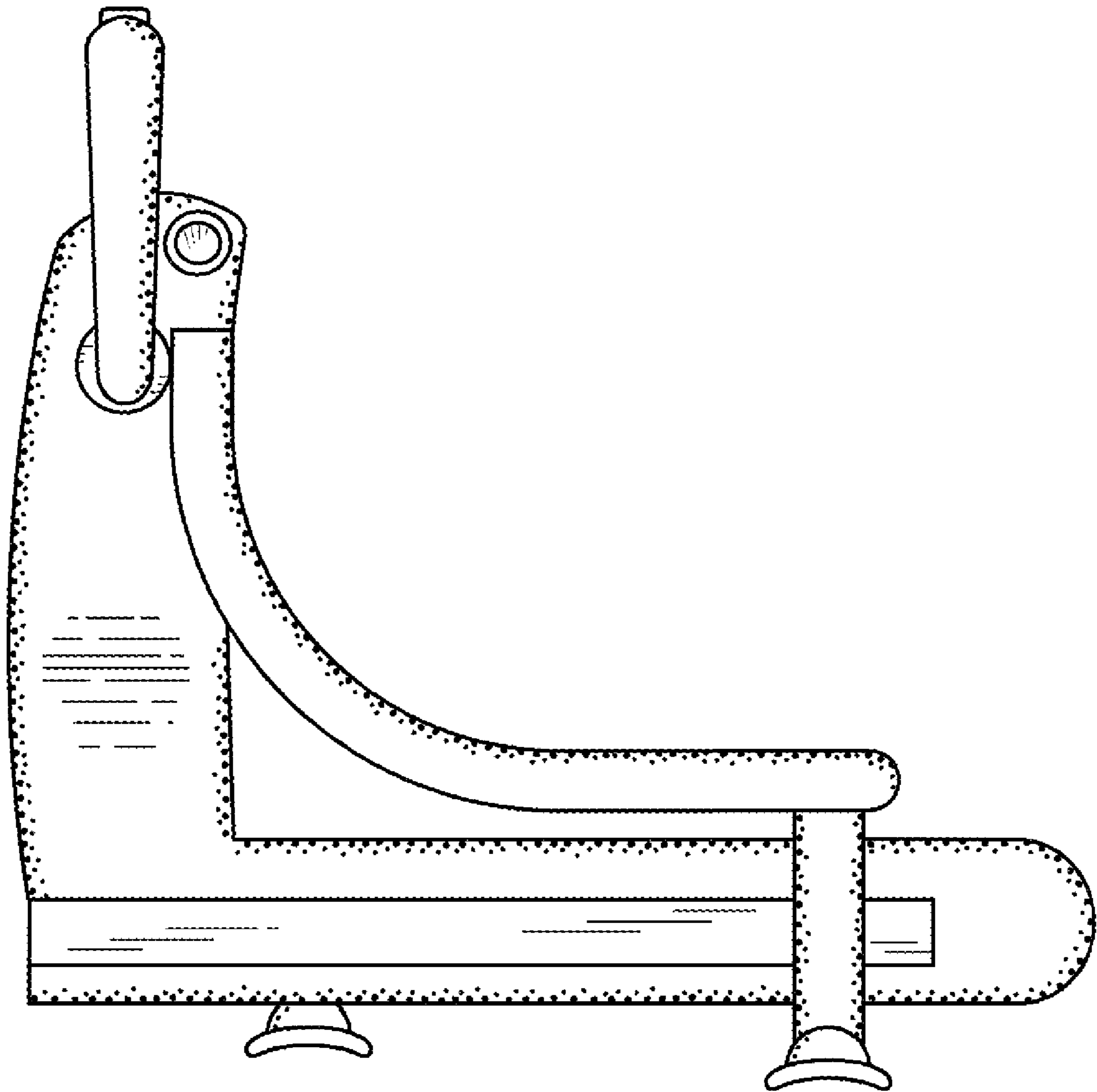


Fig. 5