



US00D613511S

(12) **United States Design Patent**  
**Sultan**

(10) **Patent No.:** **US D613,511 S**

(45) **Date of Patent:** **\*\* Apr. 13, 2010**

(54) **LINGERIE HANGING DEVICE**

(76) Inventor: **Julie Sultan**, 15556 Leadwell St., Van Nuys, CA (US) 91406

(\*\*) Term: **14 Years**

(21) Appl. No.: **29/339,257**

(22) Filed: **Jun. 26, 2009**

(51) **LOC (9) Cl.** ..... **06-08**

(52) **U.S. Cl.** ..... **D6/315**

(58) **Field of Classification Search** ..... D6/315,  
D6/319, 320, 326, 371, 514, 553; 211/1,  
211/13.1, 85.3, 86.01; 223/85-98; D9/415;  
D3/293, 903

See application file for complete search history.

(56) **References Cited**

**U.S. PATENT DOCUMENTS**

D122,692	S	*	9/1940	Owen	.....	D6/315
2,796,206	A	*	6/1957	Schwartz	.....	223/89
D244,244	S	*	5/1977	Burke	.....	D6/315
D246,218	S	*	11/1977	Goodman	.....	D6/317
D557,907	S	*	12/2007	Thomson et al.	.....	D6/319
D583,573	S	*	12/2008	Thomson et al.	.....	D6/319

\* cited by examiner

*Primary Examiner*—Stella M Reid

*Assistant Examiner*—Shanda C Hill

(74) *Attorney, Agent, or Firm*—Edwin Tarver; Lauson & Tarver LLP

(57) **CLAIM**

The ornamental design for lingerie hanging device, as shown and described.

**DESCRIPTION**

FIG. 1 is a side perspective view of a lingerie hanging device showing my new design;

FIG. 2 is a first side view thereof;

FIG. 3 is a second side view thereof;

FIG. 4 is a third side view thereof;

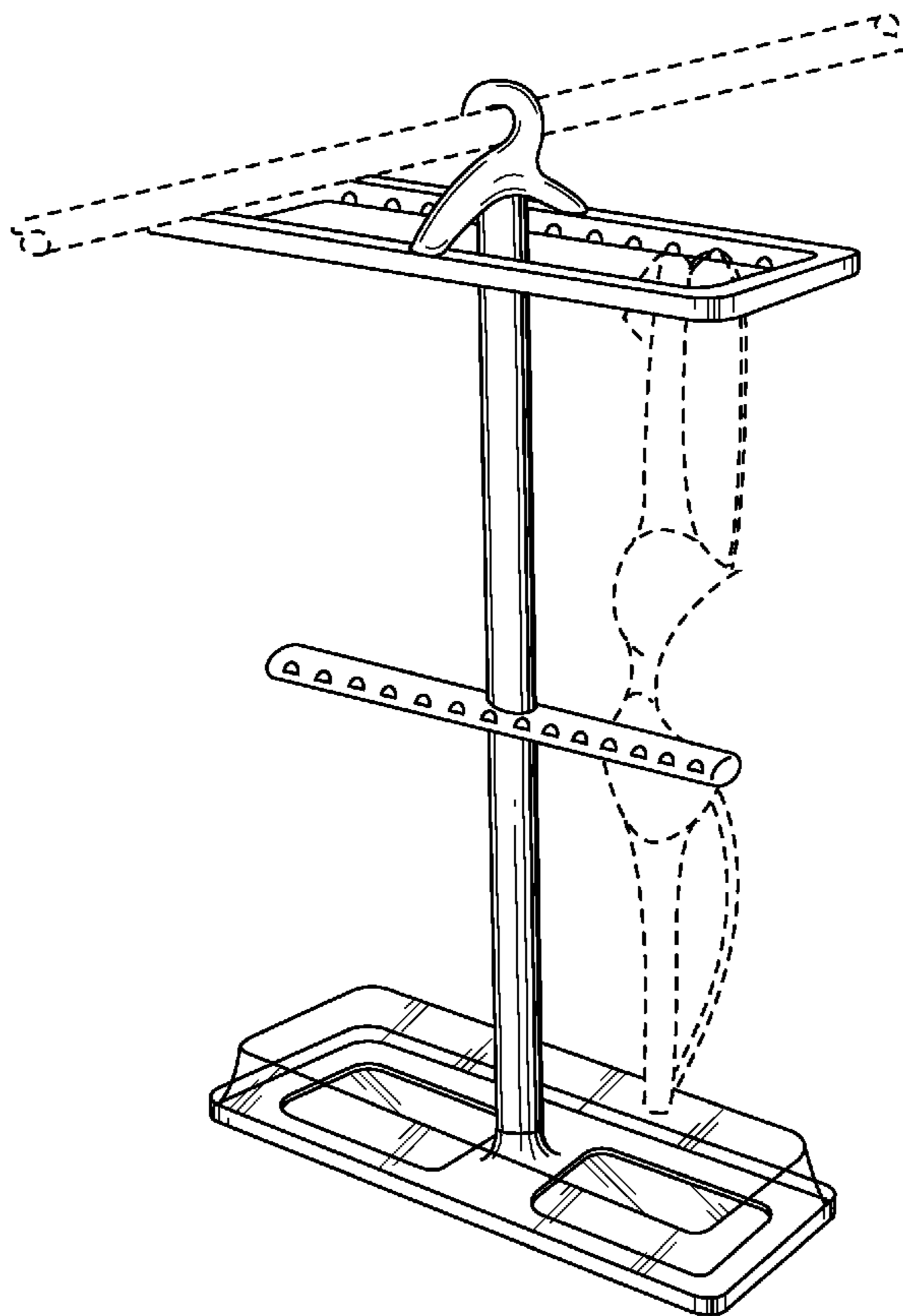
FIG. 5 is a fourth side view thereof;

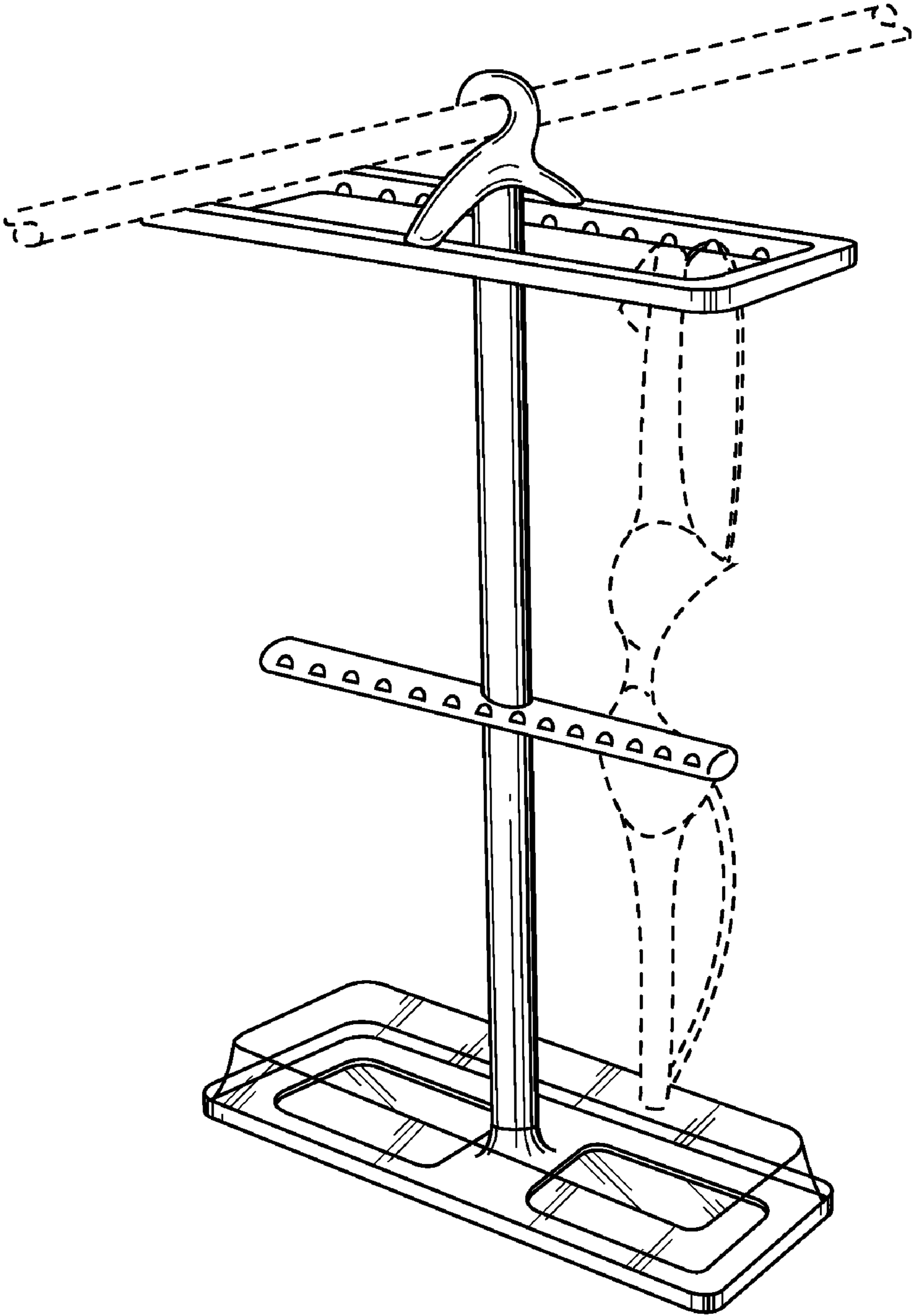
FIG. 6 is a bottom view thereof; and,

FIG. 7 is a top view.

The broken lines shown in the drawing disclosure are for illustrative purposes only and form no part of the claimed design.

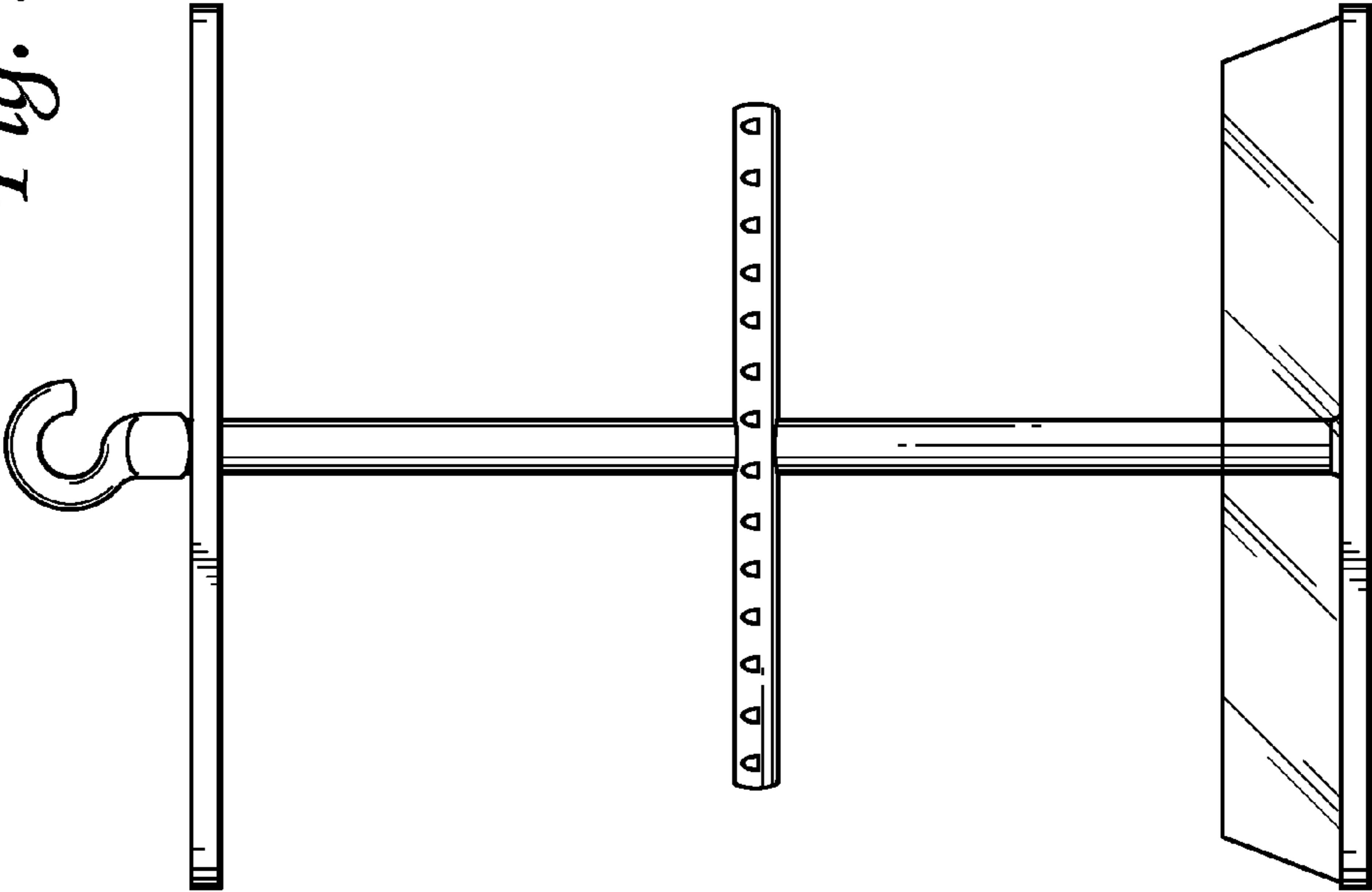
**1 Claim, 4 Drawing Sheets**



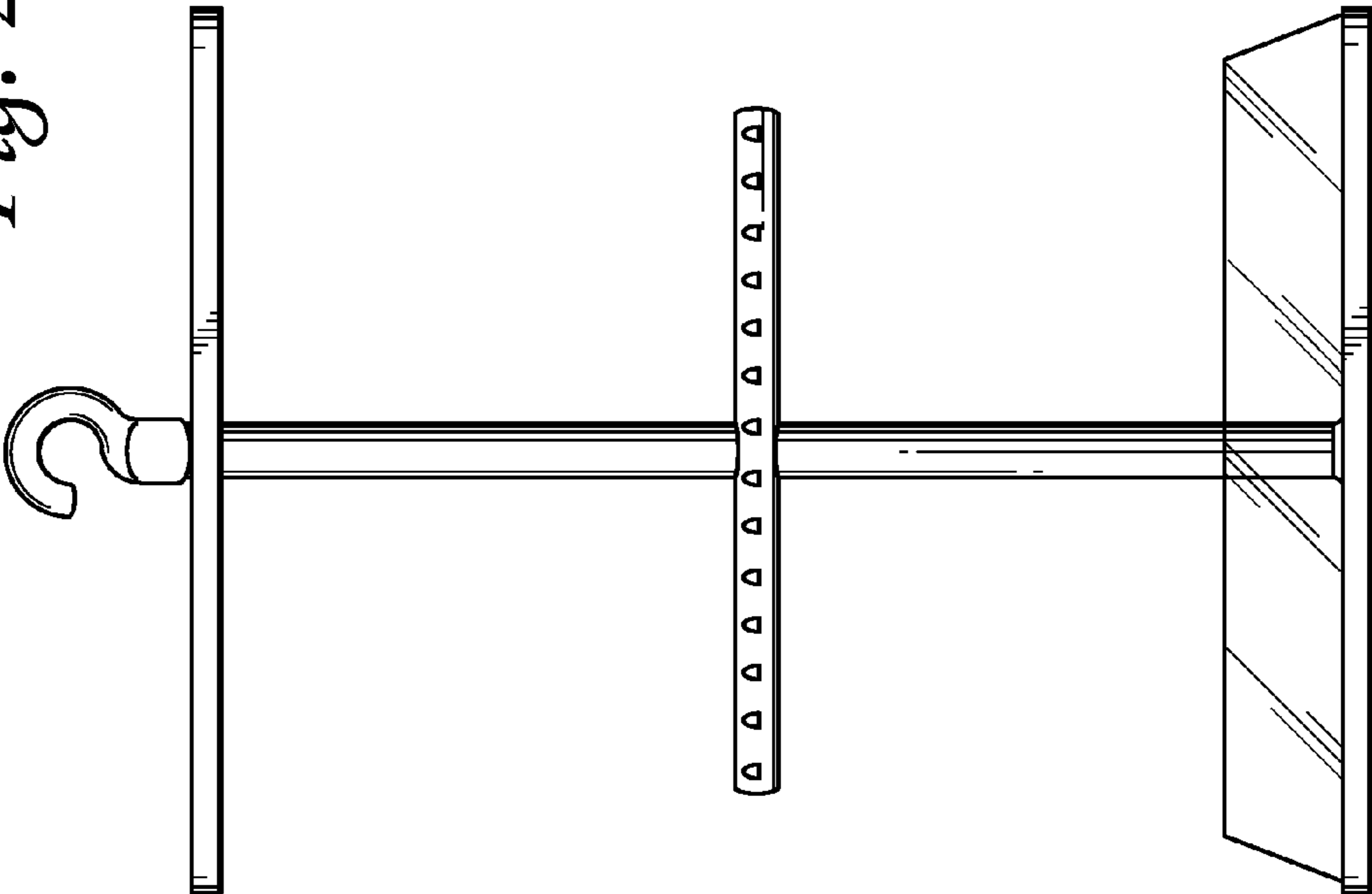


*Fig. 1*

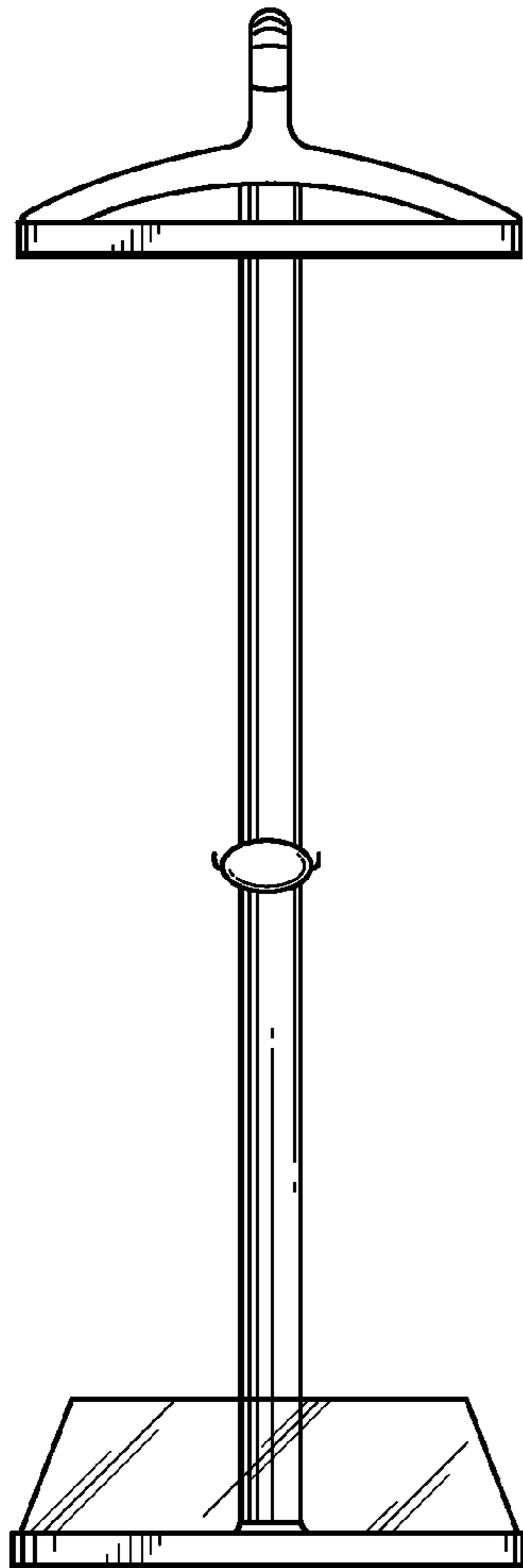
*Fig. 3*



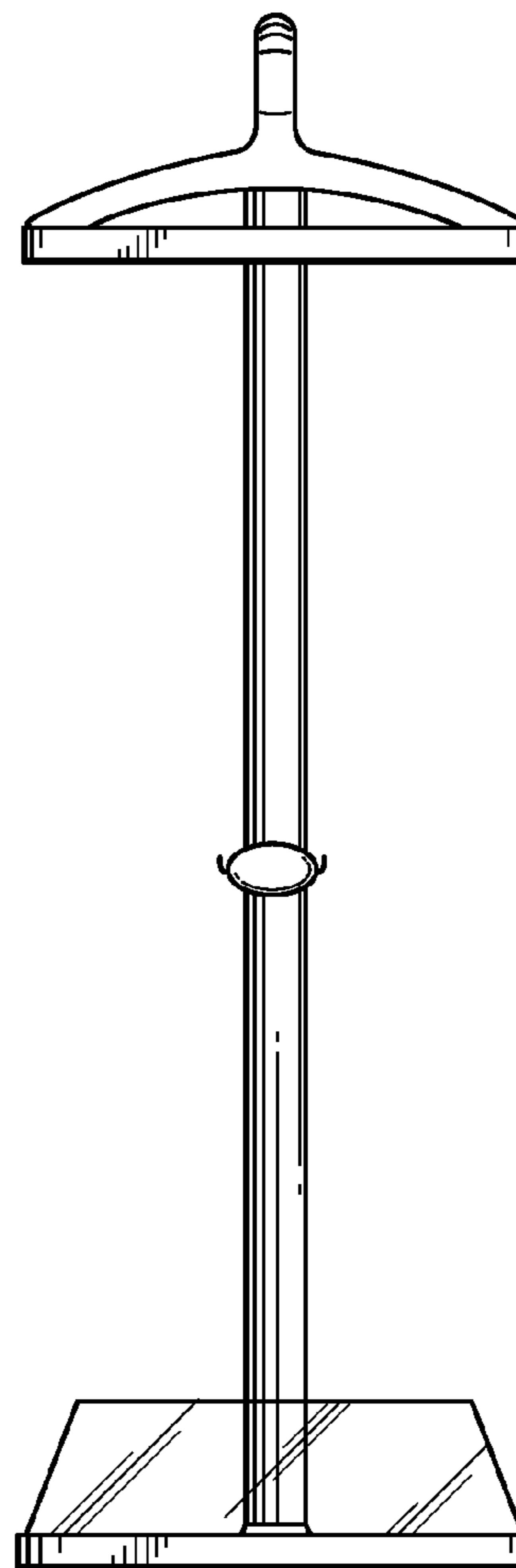
*Fig. 2*



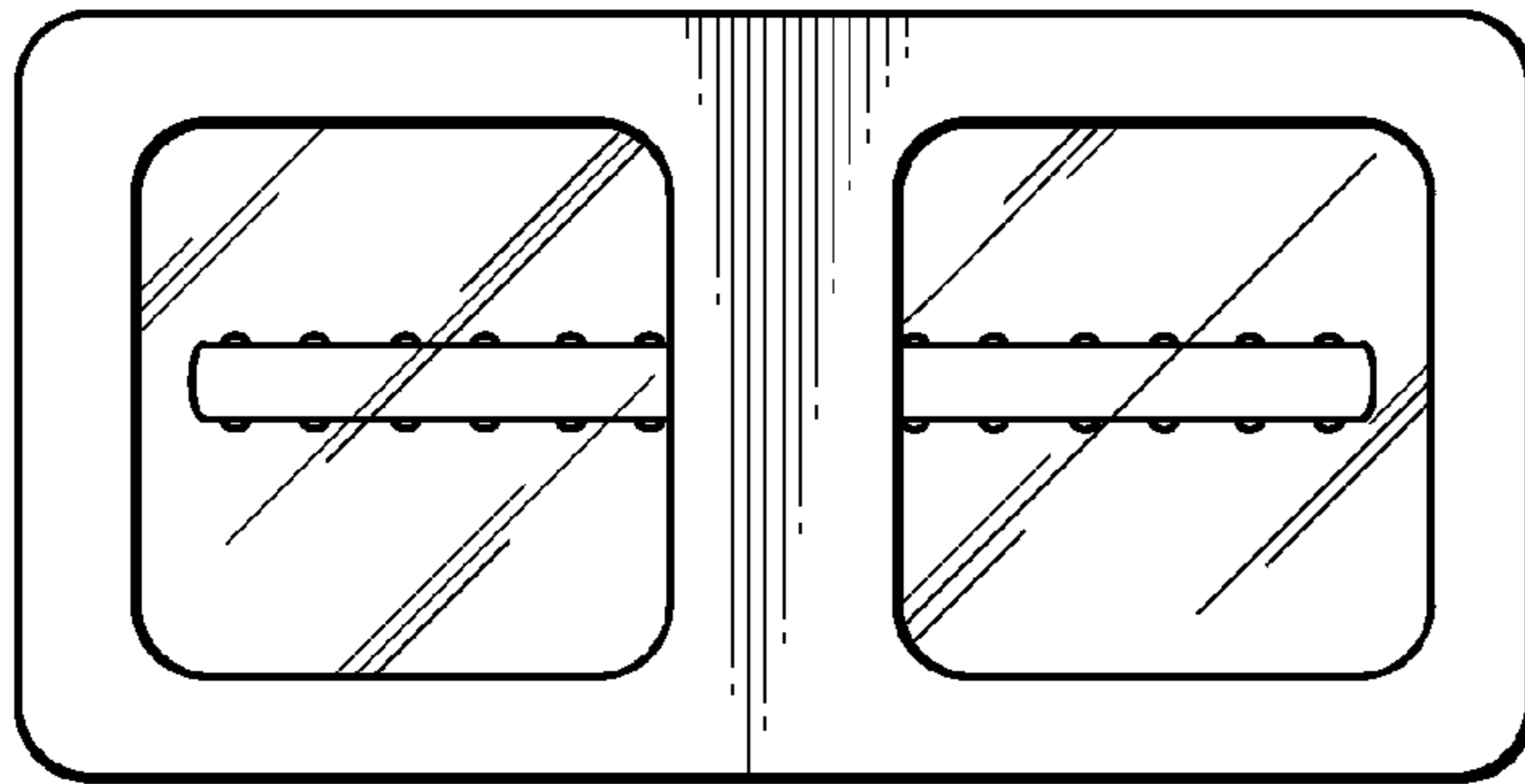
*Fig. 4*



*Fig. 5*



*Fig. 6*



*Fig. 7*

