



US00D613510S

(12) **United States Design Patent**
Tzeng et al.

(10) **Patent No.:** **US D613,510 S**
(45) **Date of Patent:** **** Apr. 13, 2010**

(54) **DIGITAL PHOTO FRAME**

(75) Inventors: **Guan Hua Tzeng**, Tu-Cheng (TW);
Kun Wei Tsai, Tu-Cheng (TW)

(73) Assignee: **Cheng Uei Precision Industry Co., Ltd.**, Taipei Hsien (TW)

(**) Term: **14 Years**

(21) Appl. No.: **29/311,370**

(22) Filed: **Mar. 3, 2009**

(51) **LOC (9) Cl.** **06-07**

(52) **U.S. Cl.** **D6/308; D14/371; D6/310**

(58) **Field of Classification Search** D6/300,
D6/308, 310, 311; 40/721, 700, 768, 717,
40/714; D14/371, 372, 374, 448, 449, 450,
D14/375, 381, 382, 336, 337; D10/15, 24,
D10/75, 2; D19/26

See application file for complete search history.

(56) **References Cited**

U.S. PATENT DOCUMENTS

- D560,371 S * 1/2008 Liu et al. D6/308
- D570,610 S * 6/2008 Chuang D6/300
- D572,023 S * 7/2008 Park D6/300
- D572,025 S * 7/2008 Kwon D6/308
- D583,572 S * 12/2008 Zhai et al. D6/308

- D591,518 S * 5/2009 Zhai et al. D6/308
- D596,173 S * 7/2009 Arfin D14/307

* cited by examiner

Primary Examiner—Caron Veynar

Assistant Examiner—Sydney R Buffalow

(74) *Attorney, Agent, or Firm*—Rosenberg, Klein & Lee

(57) **CLAIM**

The ornamental design for a digital photo frame, as shown and described.

DESCRIPTION

FIG. 1 is a perspective view of a digital photo frame showing our new design;

FIG. 2 is a front elevational view thereof;

FIG. 3 is a rear elevational view thereof;

FIG. 4 is a left side elevational view thereof;

FIG. 5 is a right side elevational view thereof;

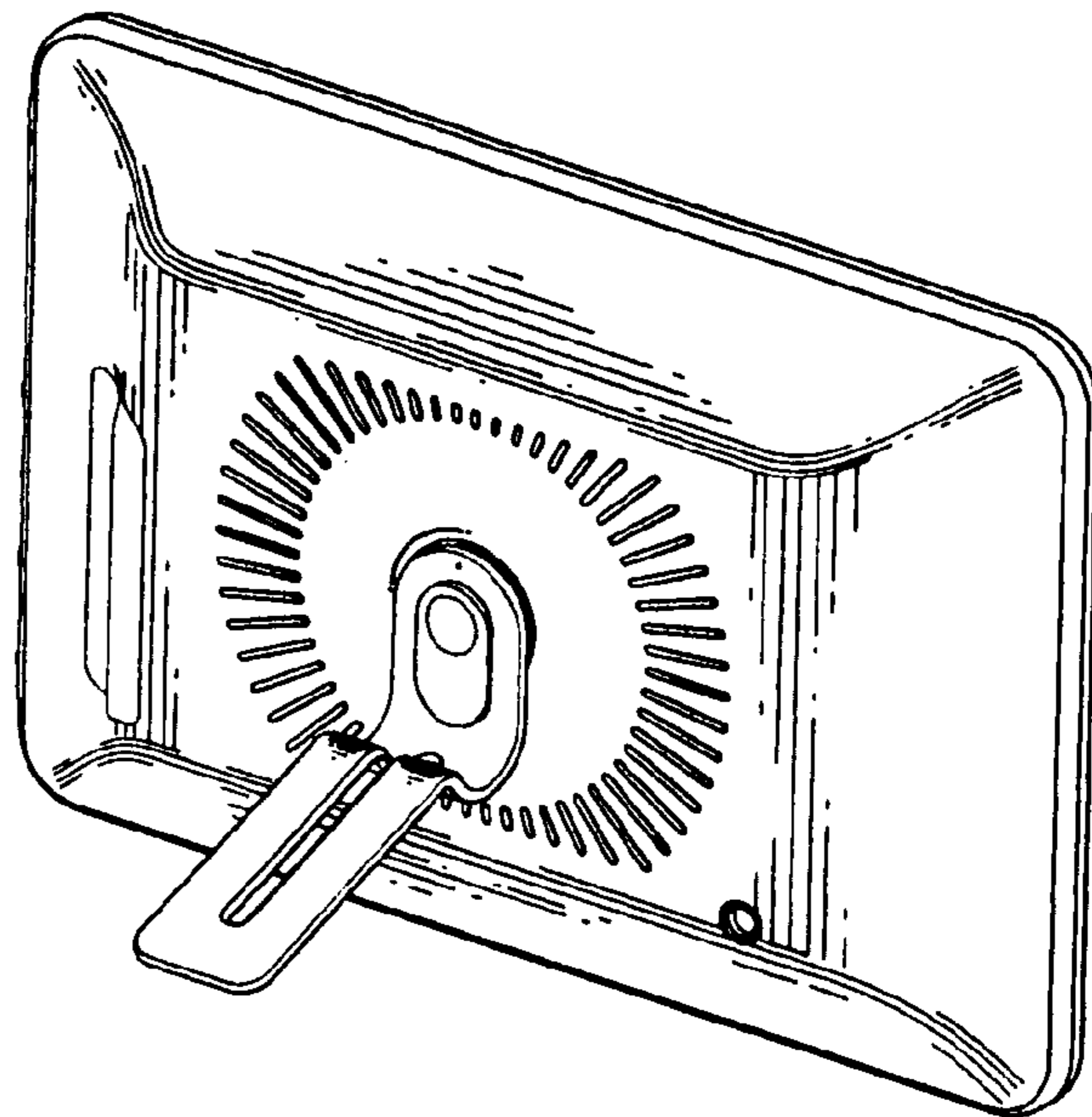
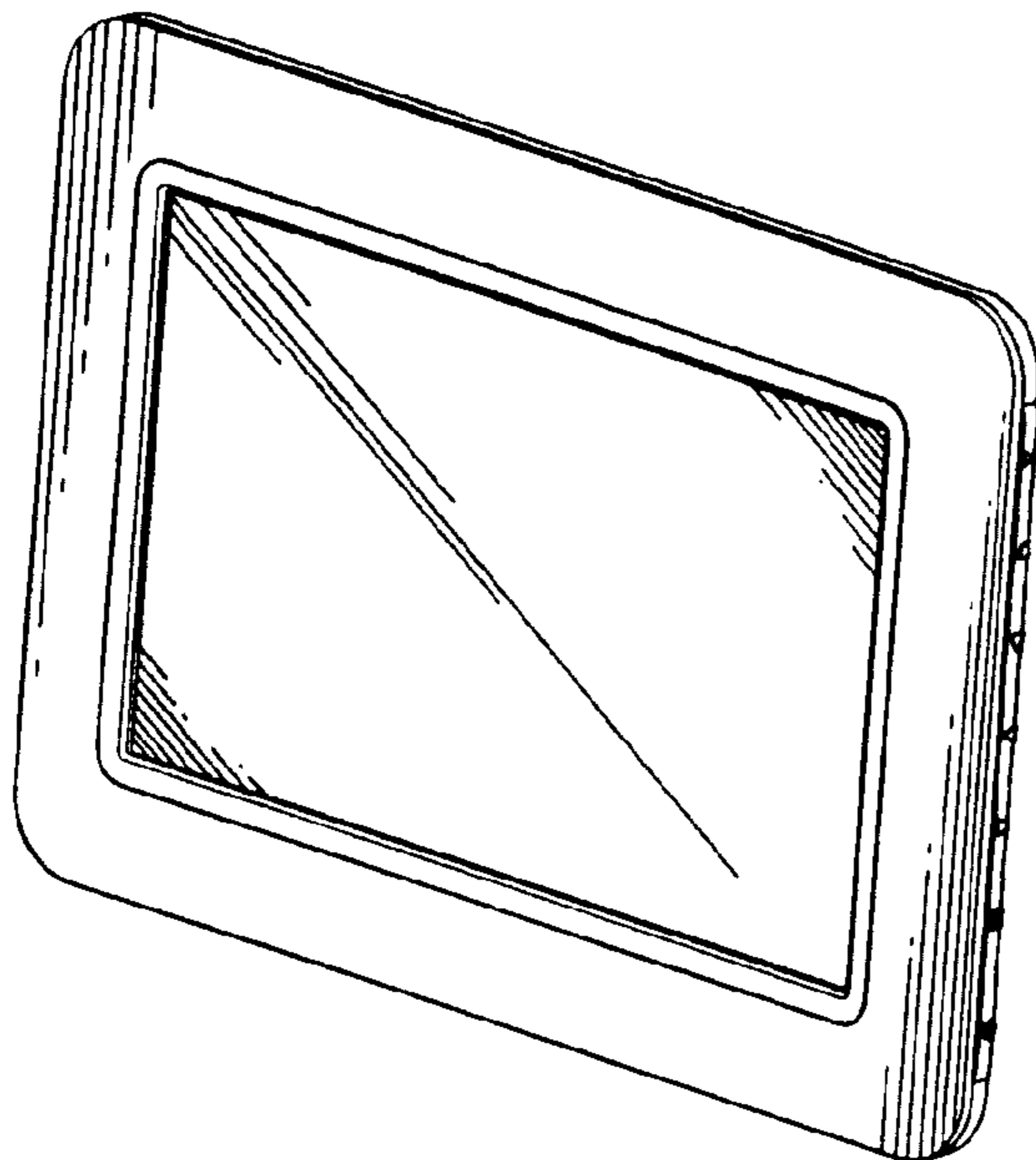
FIG. 6 is a top plan view thereof;

FIG. 7 is a bottom plan view thereof; and,

FIG. 8 is another perspective view of the digital photo frame showing our new design.

The broken lines are for the illustrative purposes only and form no part of the claimed design.

1 Claim, 8 Drawing Sheets



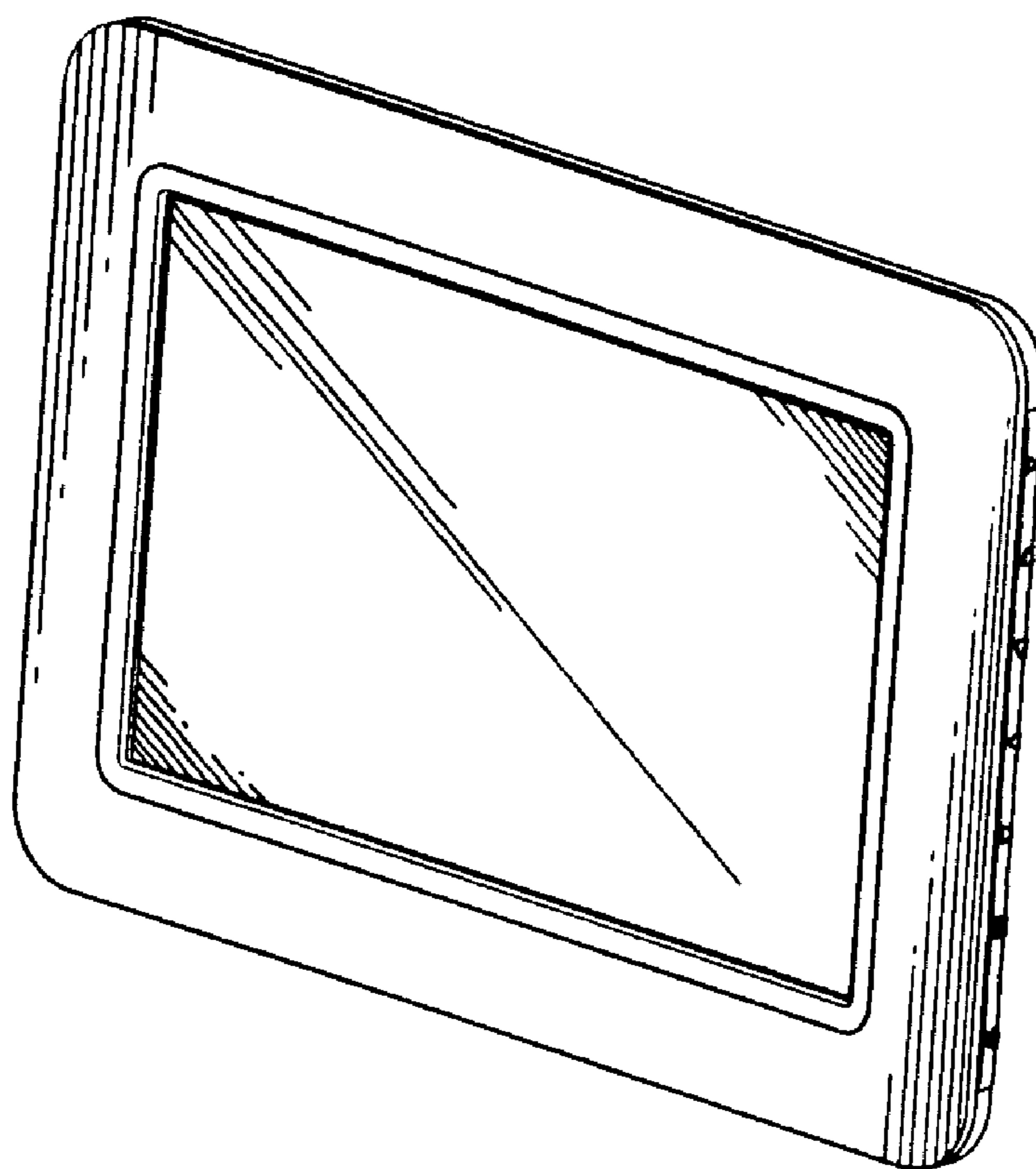


FIG. 1

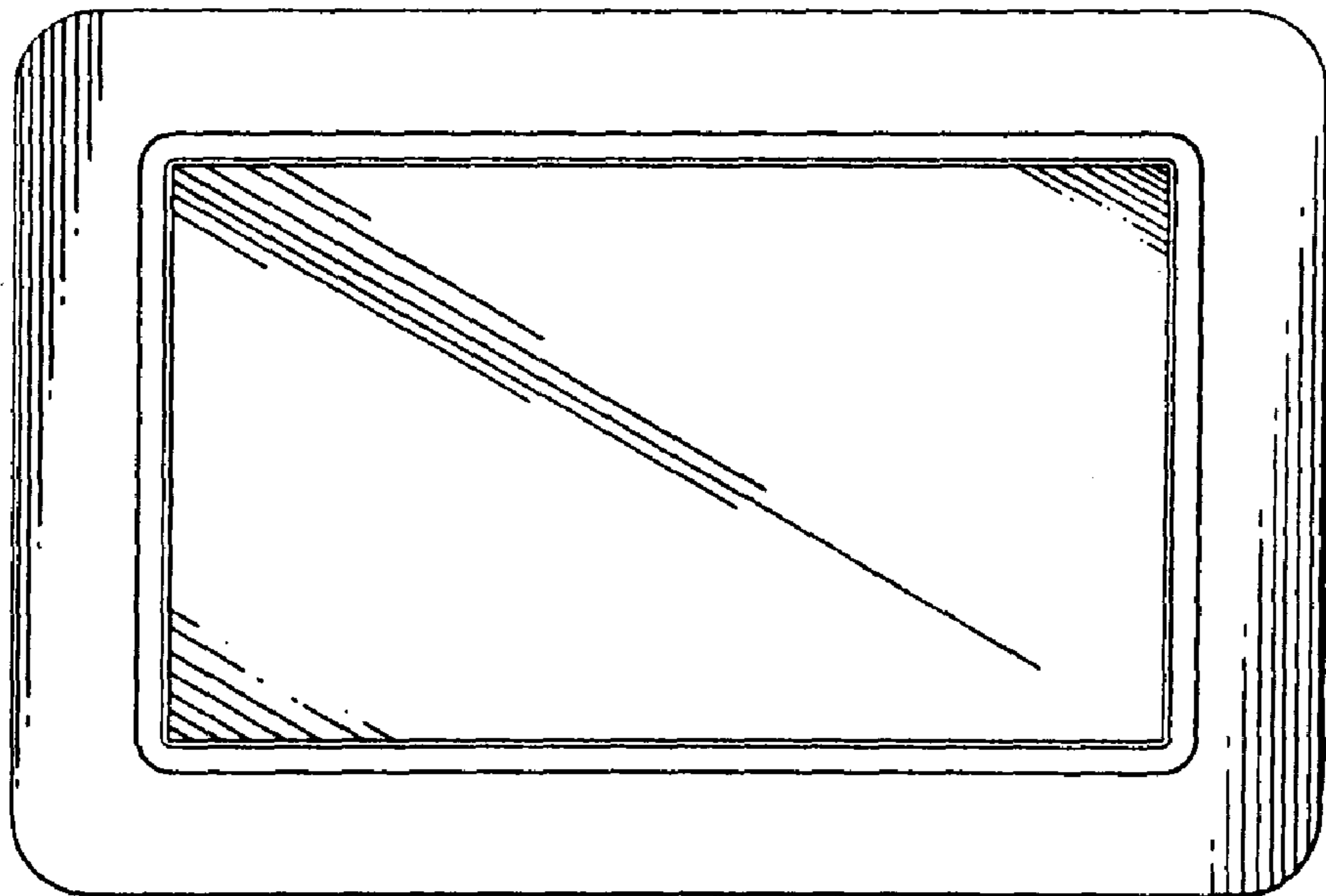


FIG. 2

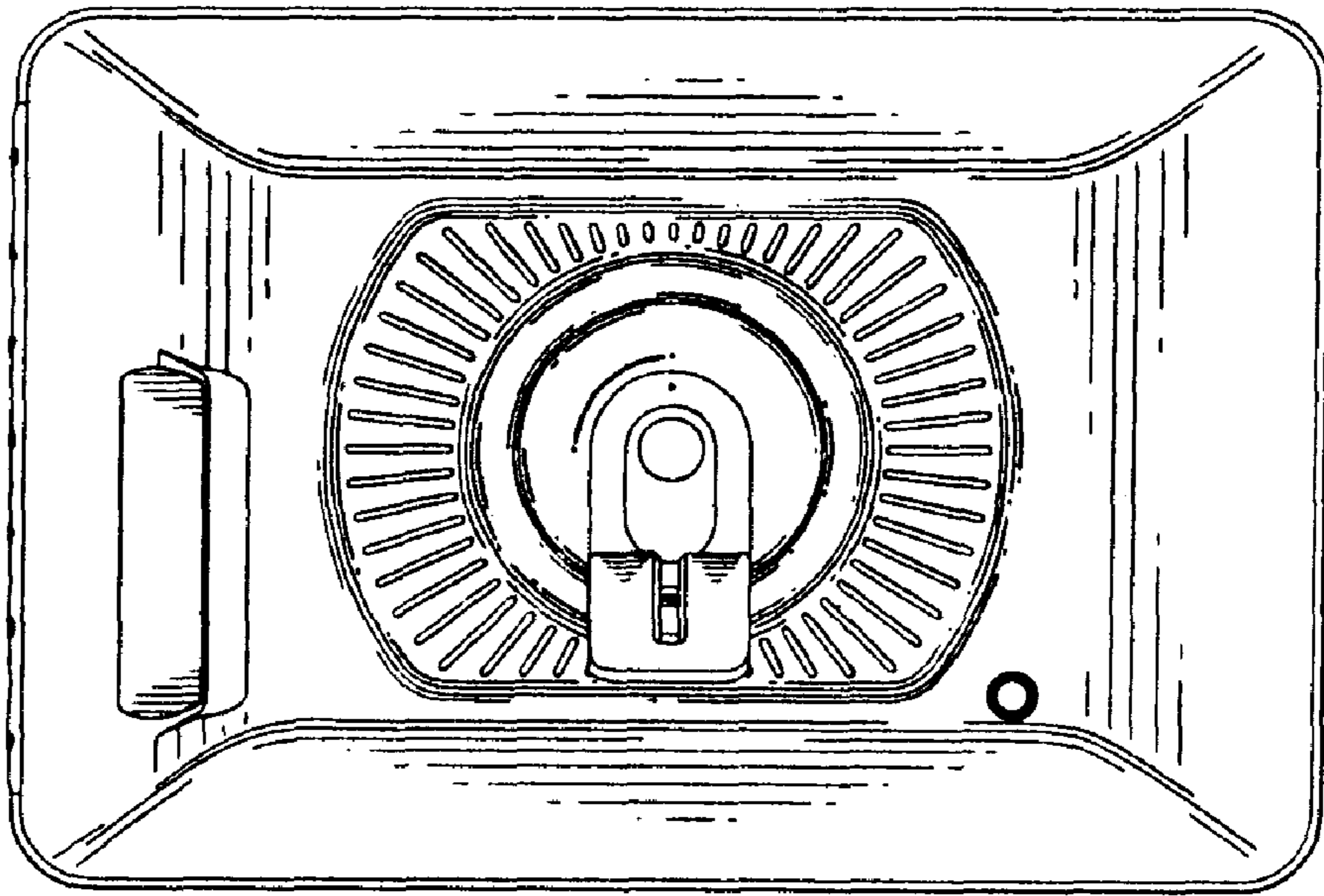


FIG. 3

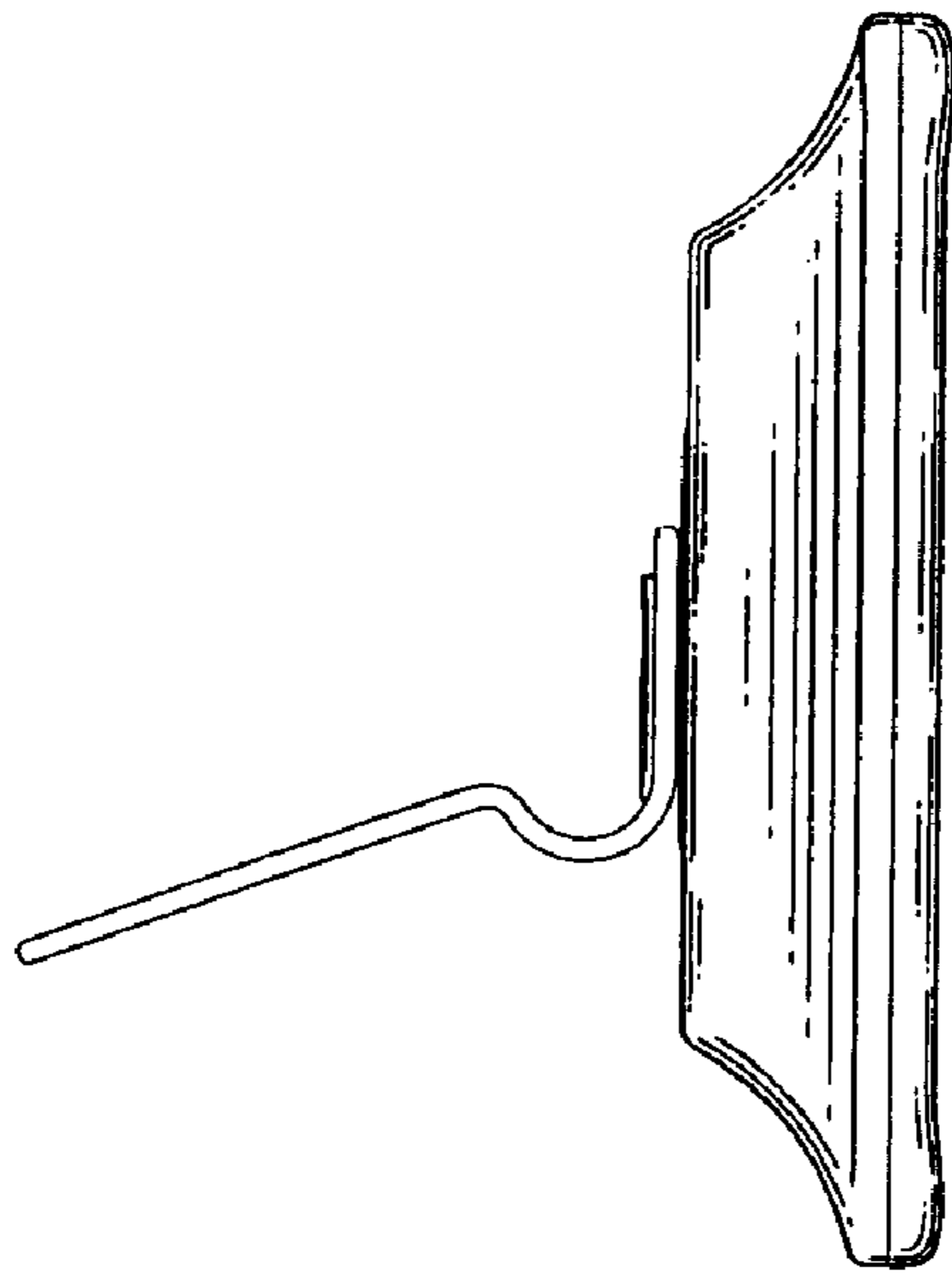


FIG. 4

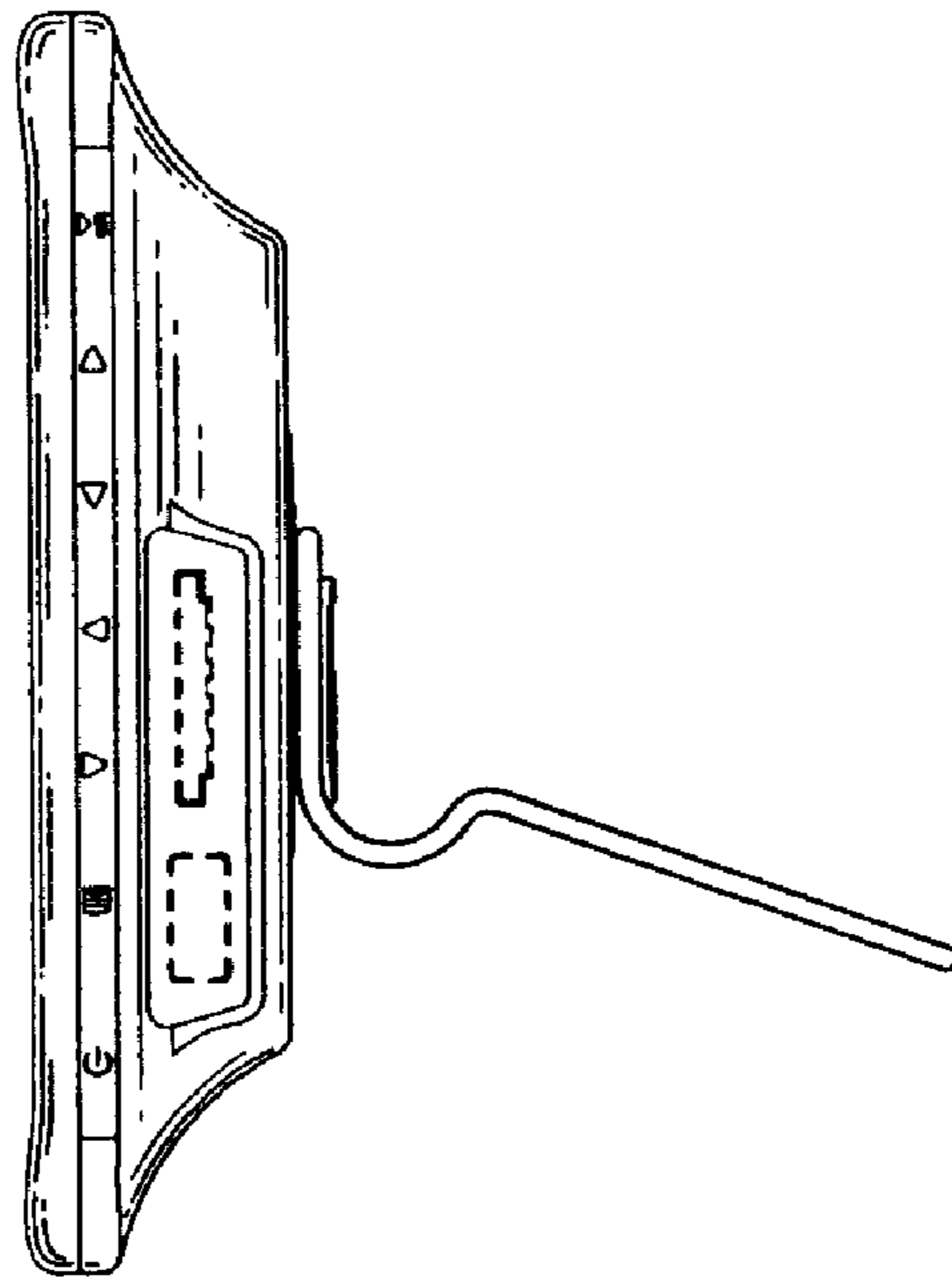


FIG. 5

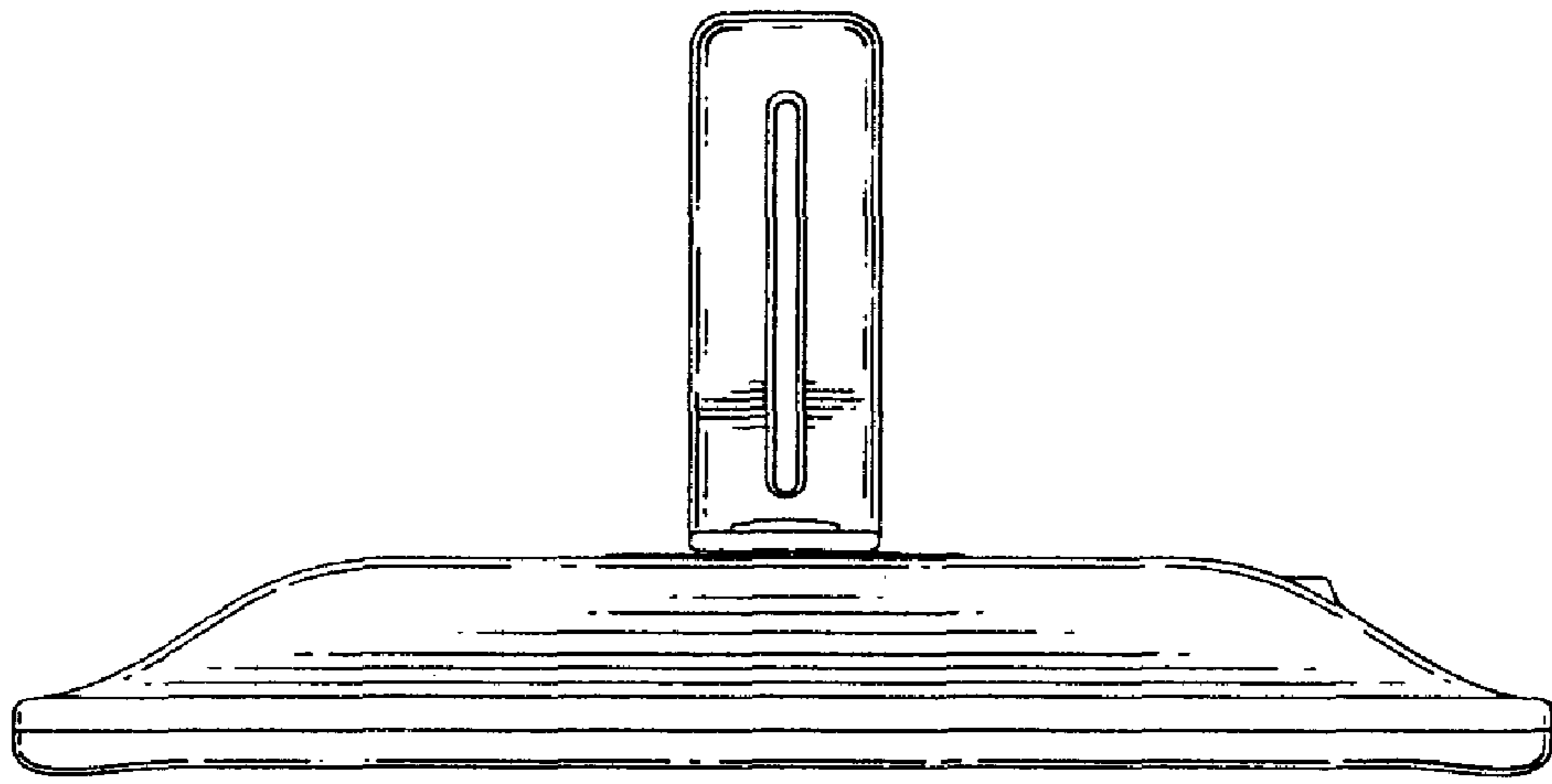


FIG. 6

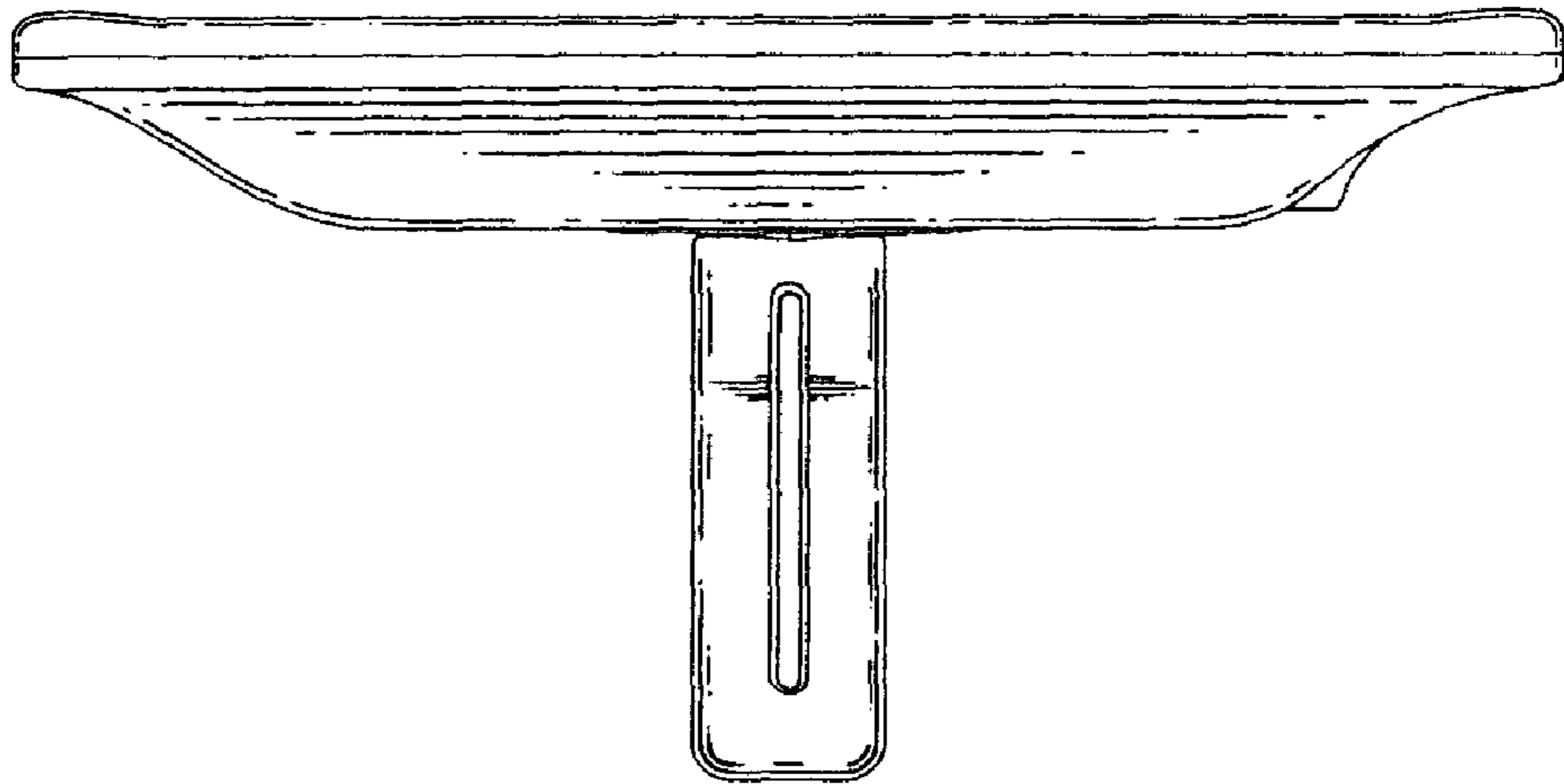


FIG. 7

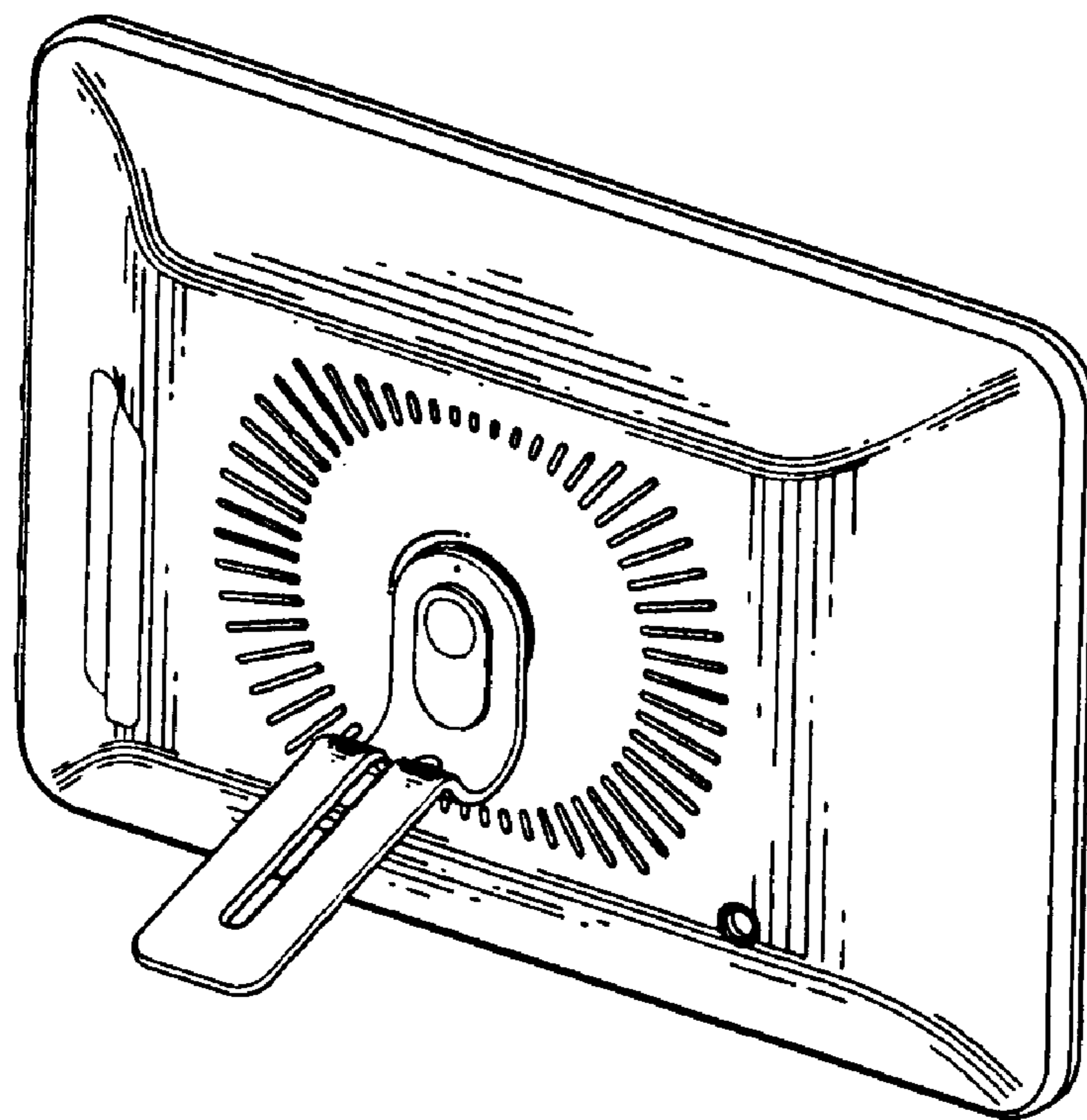


FIG. 8