



US00D613507S

(12) **United States Design Patent**  
**Brouard**

(10) **Patent No.:** **US D613,507 S**  
(45) **Date of Patent:** **\*\* Apr. 13, 2010**

(54) **OPEN TOP CARRIER**

2008/0202962 A1\* 8/2008 Brouard ..... 206/373  
2008/0230416 A1\* 9/2008 Brouard ..... 206/372

(75) Inventor: **Roger Brouard**, Norwalk, CT (US)

**OTHER PUBLICATIONS**

(73) Assignee: **Veto Pro Pac, LLC**, Norwalk, CT (US)

Bucket Boss Brand 06004 GateMouth Tool Bag. Downloaded Sep. 30, 2008 at <http://www.amazon.com/dp/B00002243C?smid=A31AW2OZADFE8G&tag=nextag-tools-tier4-20&linkCode=asn>.\*

(\*\*) Term: **14 Years**

Open Top Tool Bags. Downloaded Sep. 28, 2008 at <http://www.vetopropac.com/products/default.asp?id=267>.\*

(21) Appl. No.: **29/288,126**

(22) Filed: **May 30, 2007**

\* cited by examiner

(51) **LOC (9) Cl.** ..... **03-01**

(52) **U.S. Cl.** ..... **D3/315; D3/905**

(58) **Field of Classification Search** ..... D3/20,  
D3/26, 201, 304, 307-311, 315, 318-319,  
D3/321-322, 905, 292; 206/1.7-1.9, 372-373  
See application file for complete search history.

*Primary Examiner*—Adir Aronovich

*Assistant Examiner*—Roselynn Cody

(74) *Attorney, Agent, or Firm*—Michaud-Kinney Group LLP

(56) **References Cited**

(57) **CLAIM**

The ornamental design for an open top carrier, as shown and described.

**U.S. PATENT DOCUMENTS**

**DESCRIPTION**

D176,844 S *	2/1956	Evans	.....	D3/309
2,740,517 A *	4/1956	Evans	.....	206/373
D273,207 S *	3/1984	Clanton	.....	D3/309
D325,280 S *	4/1992	Nelson	.....	D3/309
D327,562 S *	6/1992	Brightbill	.....	D3/308
D346,682 S *	5/1994	Trovato	.....	D3/308
D376,454 S *	12/1996	Fierek et al.	.....	D32/54
D376,477 S *	12/1996	Patterson, Jr.	.....	D3/304
D414,337 S *	9/1999	Hubert	.....	D3/315
D420,221 S *	2/2000	Williams et al.	.....	D3/315
D426,384 S *	6/2000	Brouard	.....	D3/276
6,085,902 A *	7/2000	Fang	.....	206/373
6,126,003 A *	10/2000	Brouard	.....	206/372
D474,891 S *	5/2003	Huang	.....	D3/309
6,571,998 B2 *	6/2003	Godshaw et al.	.....	224/607
D490,245 S *	5/2004	Brouard	.....	D3/318
6,810,933 B2 *	11/2004	Gordon et al.	.....	150/112
D502,599 S *	3/2005	Cabana et al.	.....	D3/292
D524,544 S *	7/2006	Crook	.....	D3/319
D553,362 S *	10/2007	Godshaw et al.	.....	D3/310
7,314,126 B2 *	1/2008	Godshaw et al.	.....	190/18 A
7,314,133 B2 *	1/2008	Redzisz	.....	206/373
2008/0179370 A1 *	7/2008	Williams	.....	224/682

FIG. 1 is a perspective view of an open top carrier showing the design of the present invention;

FIG. 2 is a plan view thereof;

FIG. 3 is a front elevation view thereof;

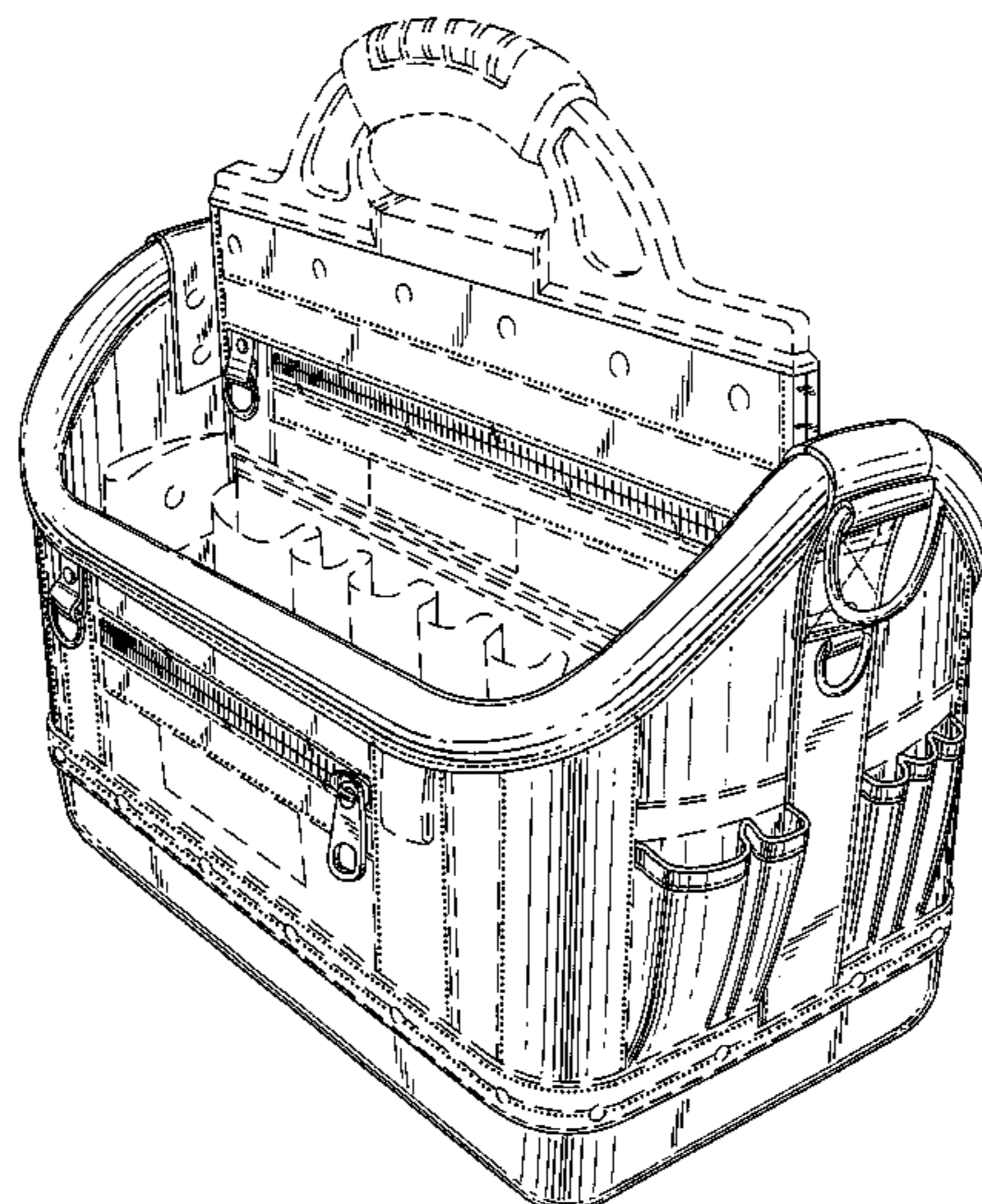
FIG. 4 is a right elevation view thereof;

FIG. 5 is a left elevation view thereof; and,

FIG. 6 is a rear elevation view thereof.

In the figures four types of broken lines are used. Single lines of long dashes are meant to enclose unclaimed areas. Two closely spaced lines of long dashes delineate fabric of substantial thickness overlaid on an underlying substrate of material all of which is also unclaimed. Lines composed of short dashes are lines of stitching lying within the claimed subject matter. Lines of evenly spaced dots are meant to connote lines of stitching which are in unclaimed areas of the present invention.

**1 Claim, 6 Drawing Sheets**



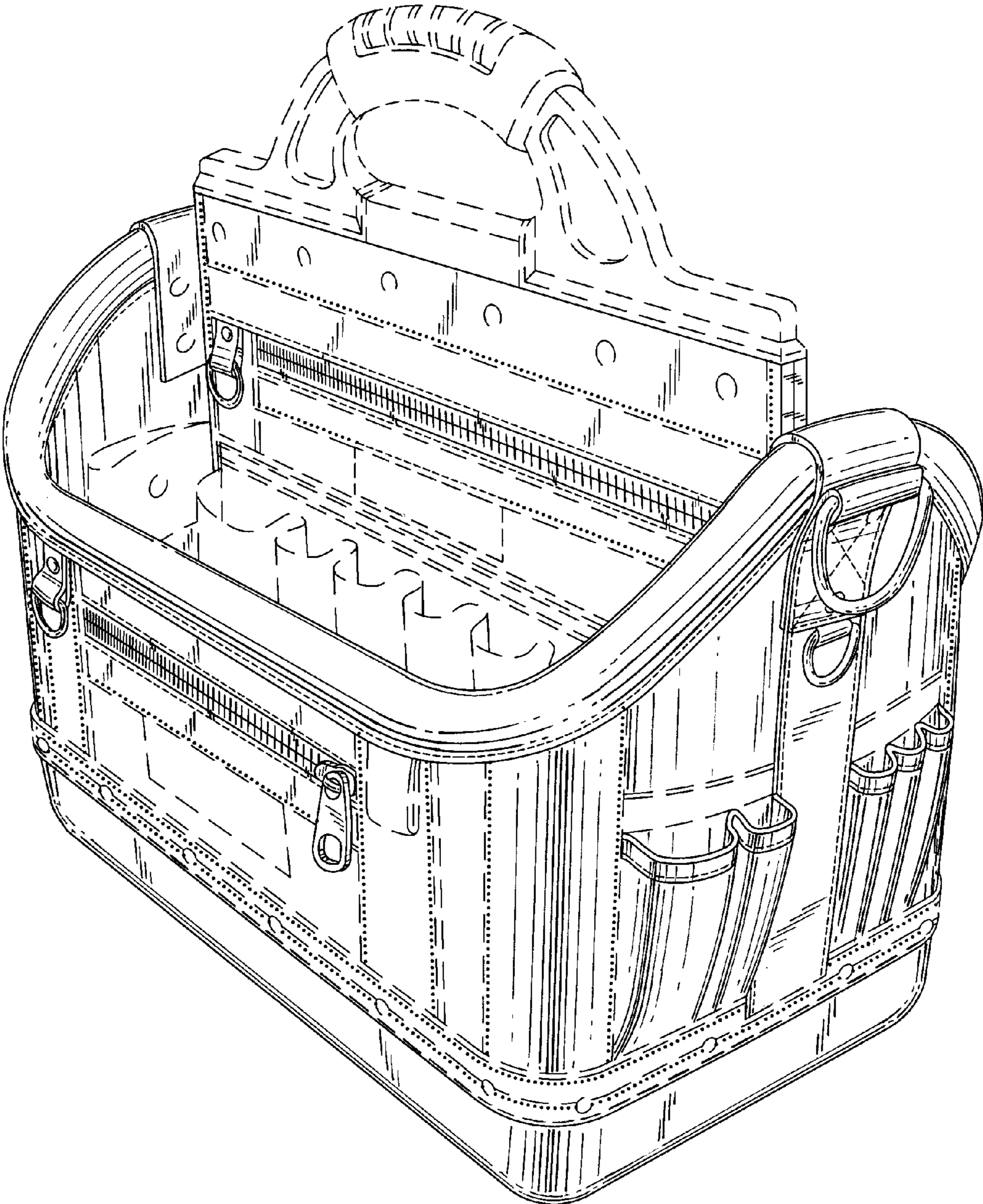


FIG. 1

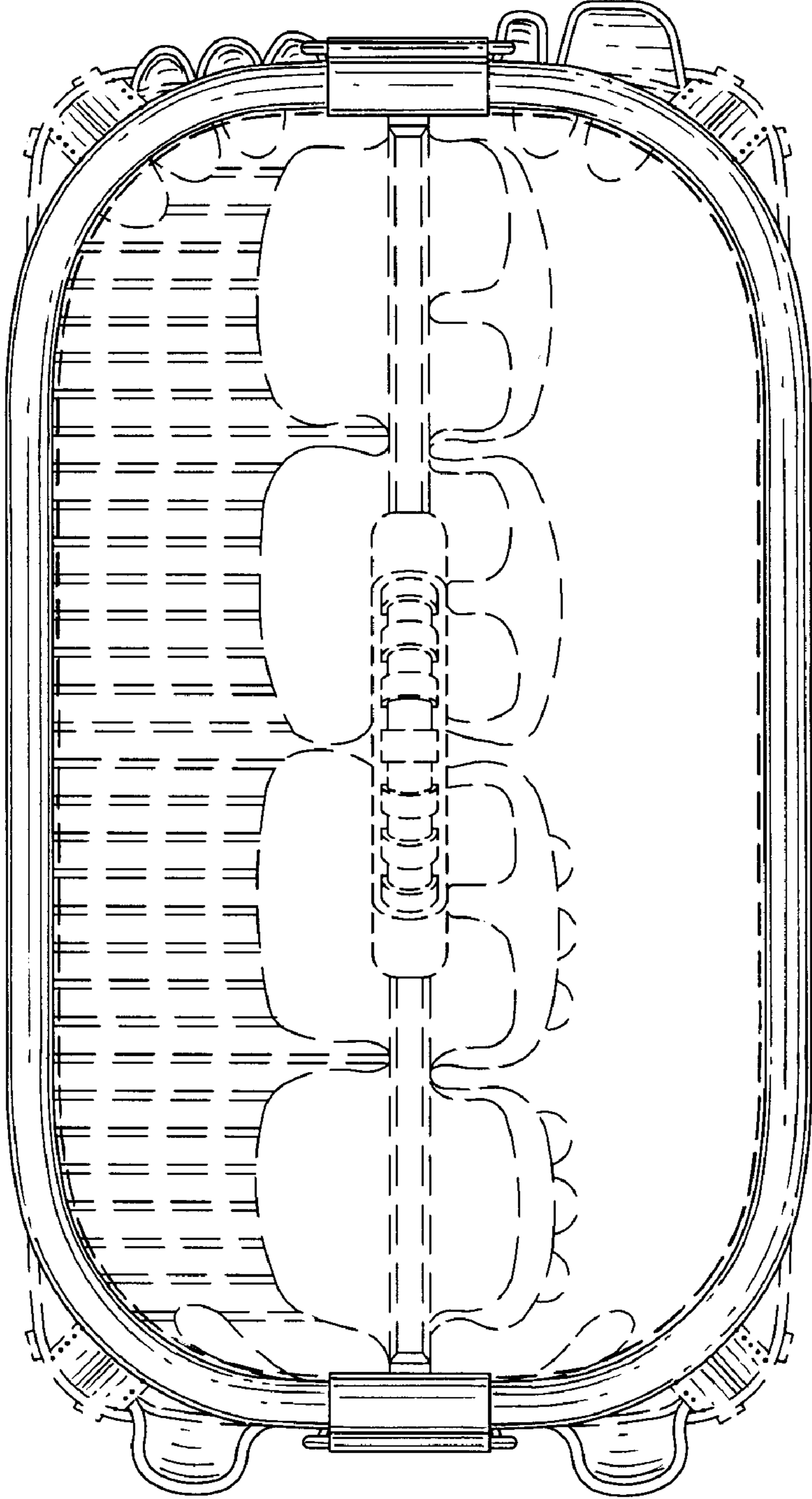


FIG.2

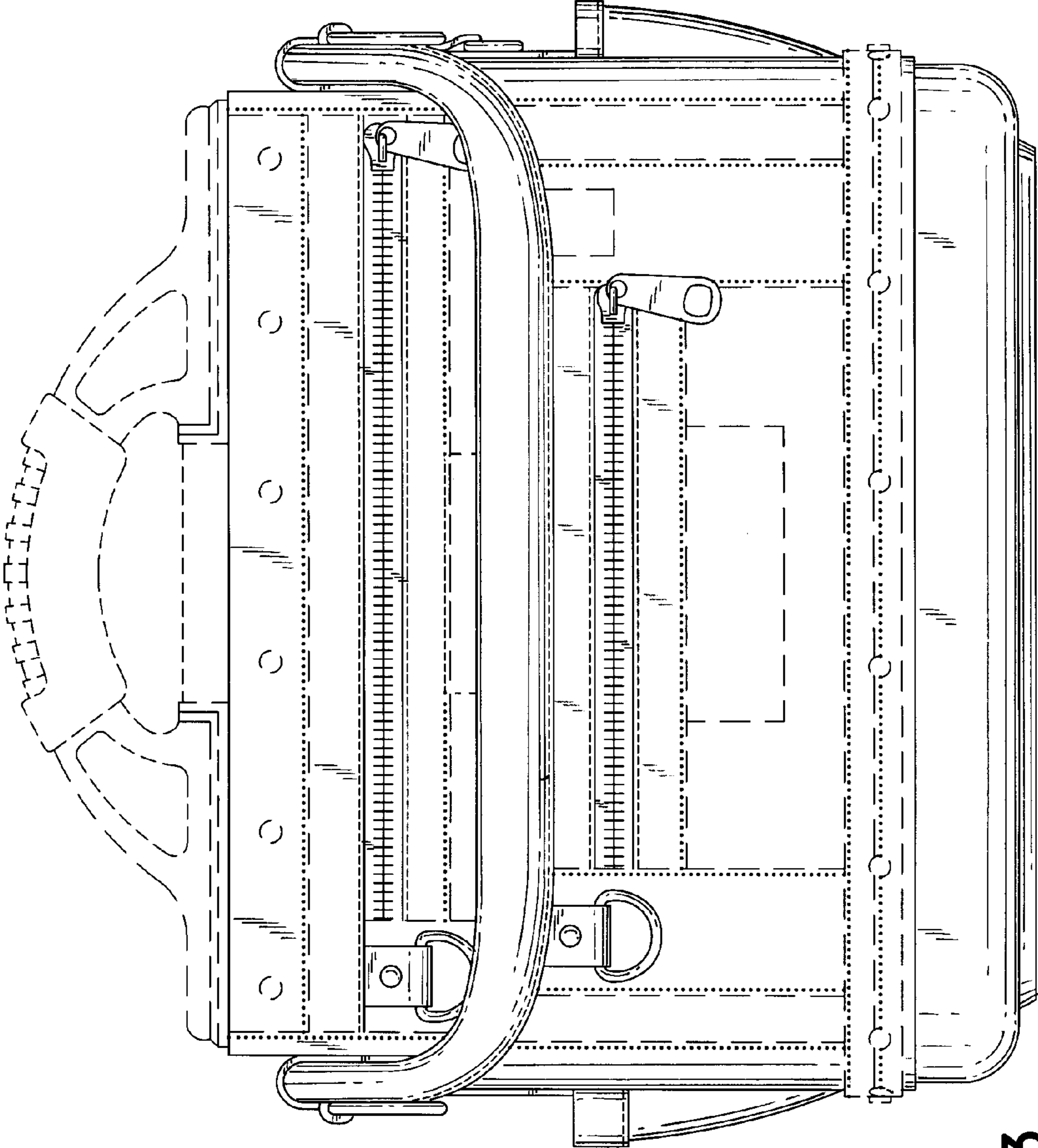


FIG.3

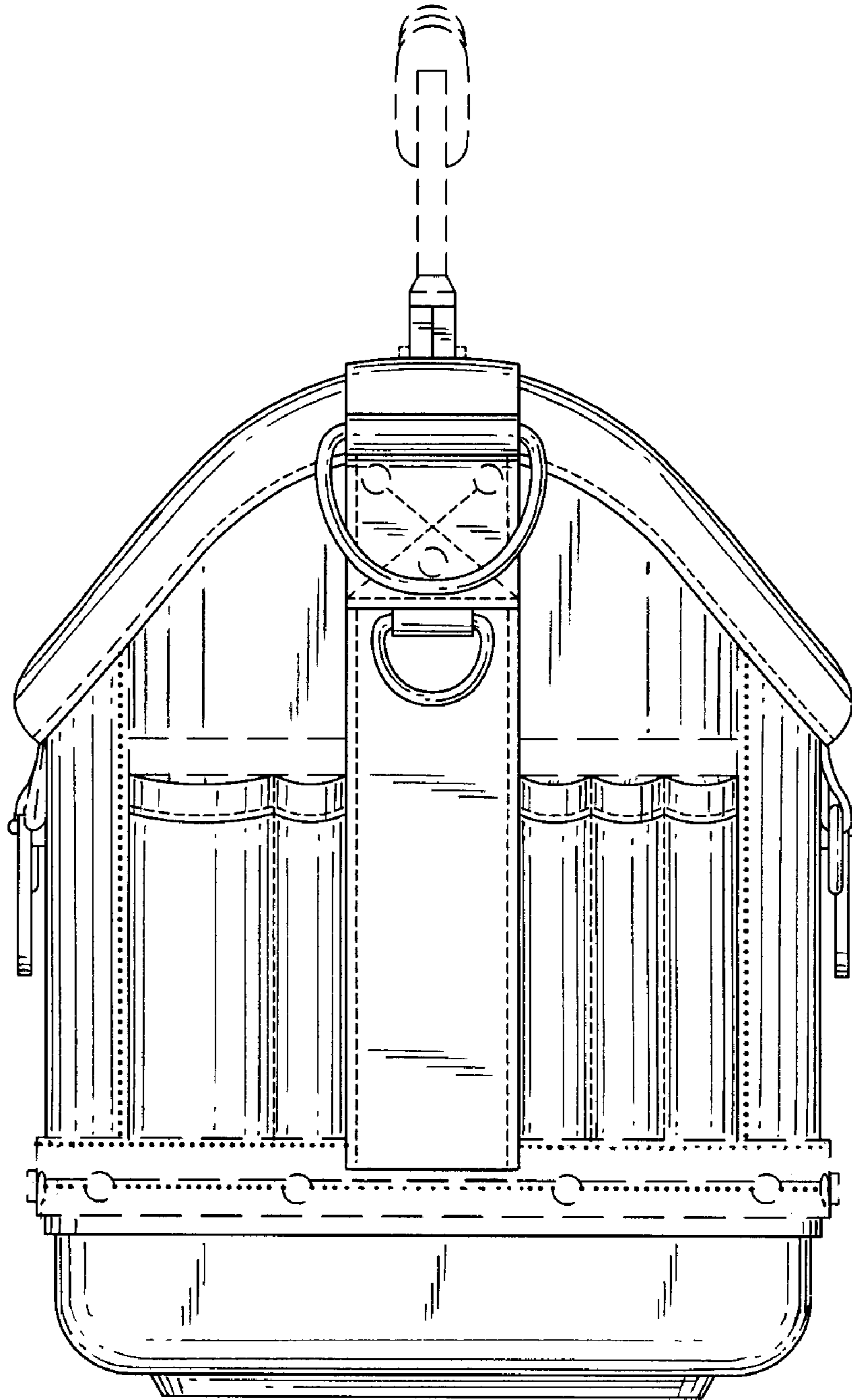


FIG.4

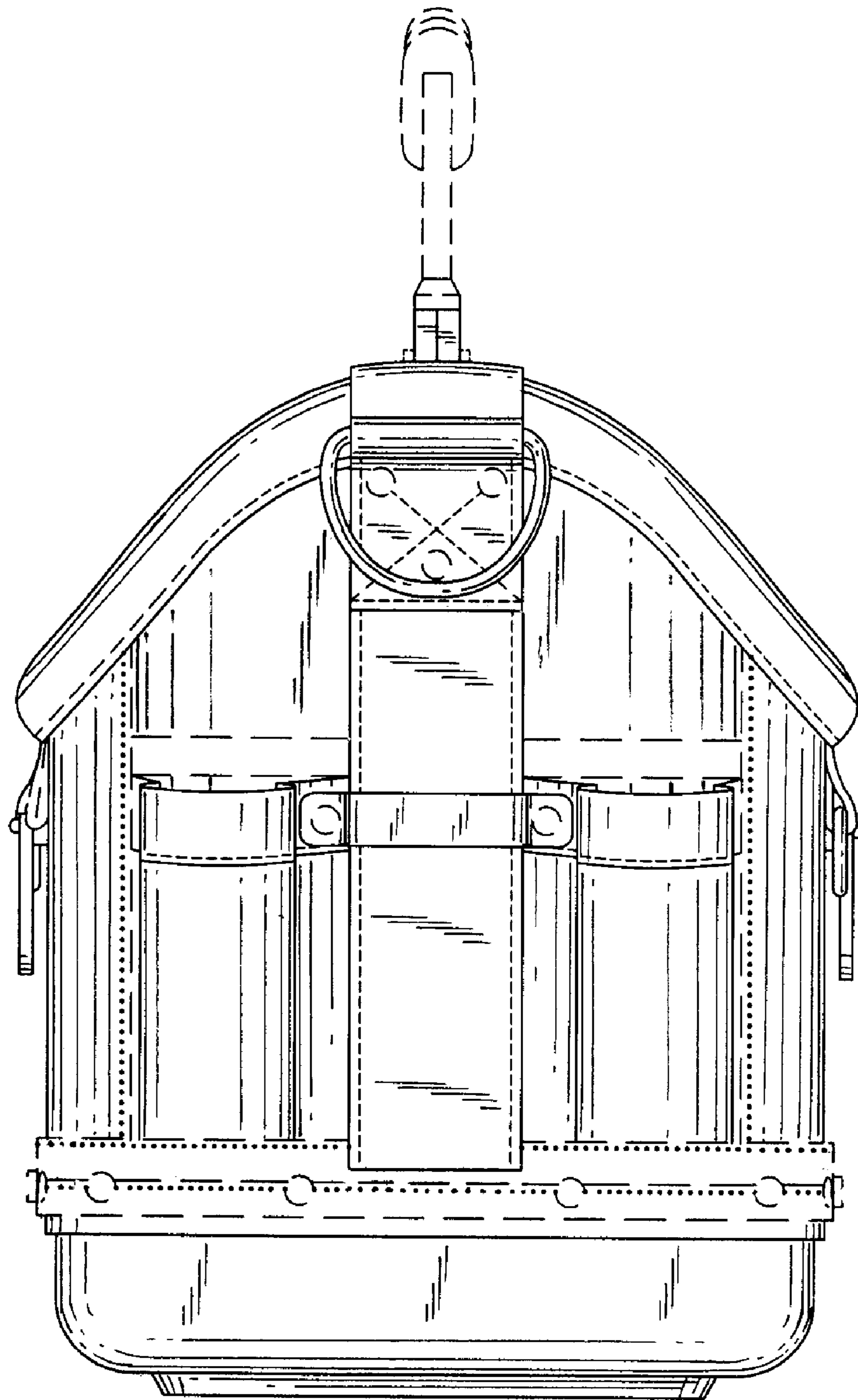


FIG. 5

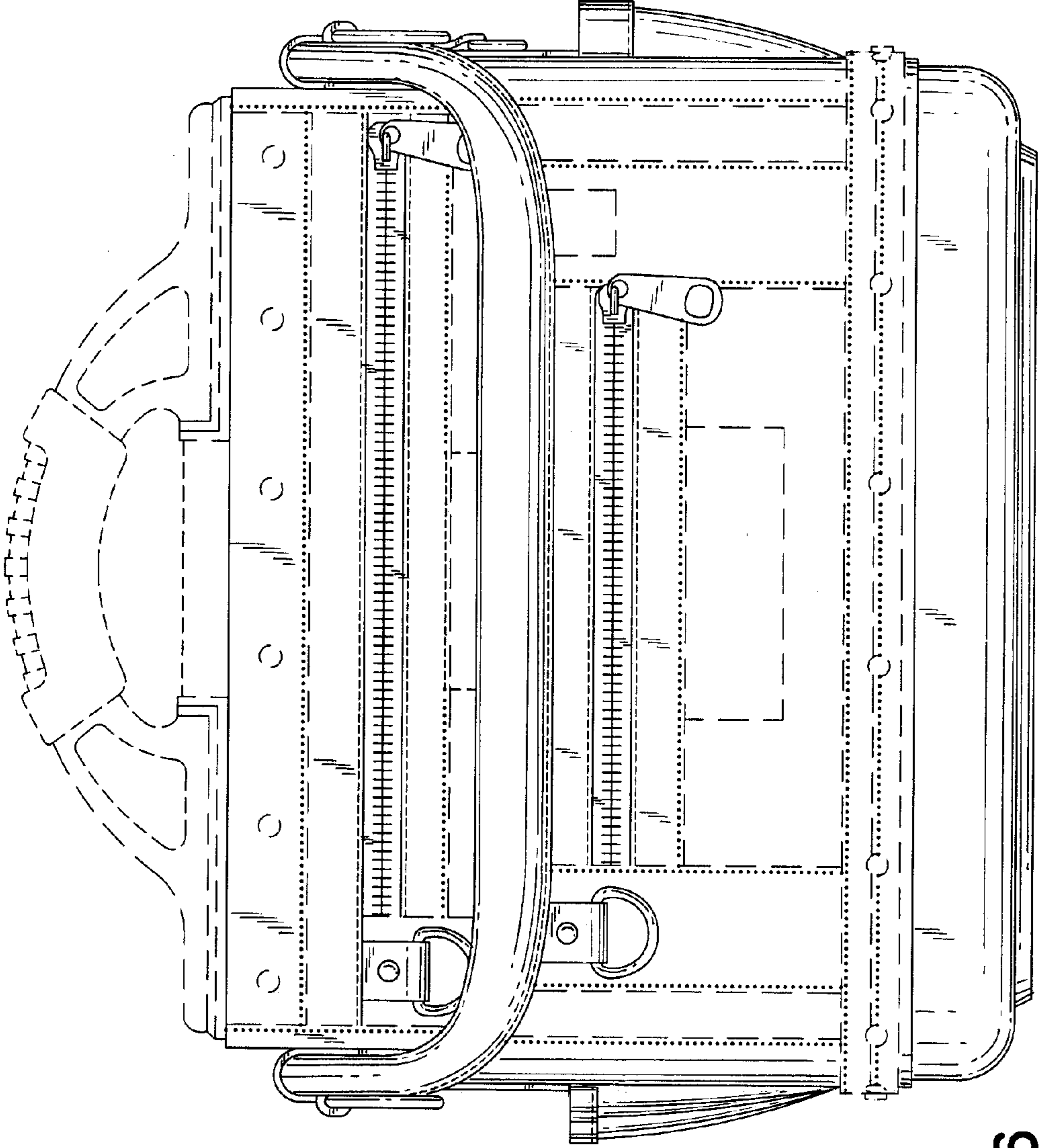


FIG.6