



US00D613502S

(12) **United States Design Patent**  
**Hardy**

(10) **Patent No.:** **US D613,502 S**  
(45) **Date of Patent:** **\*\* Apr. 13, 2010**

(54) **HANDBAG**

(75) Inventor: **Pierre Hardy**, Paris (FR)

(73) Assignee: **Hermes Sellier**, Paris (FR)

(\*\*) Term: **14 Years**

(21) Appl. No.: **29/331,648**

(22) Filed: **Jan. 29, 2009**

(30) **Foreign Application Priority Data**

Jul. 30, 2008 (WO) ..... DM/070 595

(51) **LOC (9) Cl.** ..... **03-01**

(52) **U.S. Cl.** ..... **D3/247**

(58) **Field of Classification Search** ..... D3/232–233,  
D3/240–252; 150/100, 103–104, 106–110,  
150/113–114, 118–119, 130–132

See application file for complete search history.

(56) **References Cited**

**U.S. PATENT DOCUMENTS**

- D137,431 S \* 3/1944 Pichel ..... D3/243
- D572,468 S \* 7/2008 Nair ..... D3/232
- D574,612 S \* 8/2008 Gonzalez ..... D3/232
- D581,665 S \* 12/2008 Gerbi ..... D3/245

\* cited by examiner

*Primary Examiner*—Holly H Baynham

(74) *Attorney, Agent, or Firm*—Foley & Lardner LLP

(57) **CLAIM**

The ornamental design for a handbag, as shown and described.

**DESCRIPTION**

FIG. 1 is a front view of a handbag according to my new design;

FIG. 2 is a back view of the handbag shown in FIG. 1;

FIG. 3 is a right side view of the handbag shown in FIG. 1;

FIG. 4 is a left side view of the handbag shown in FIG. 1;

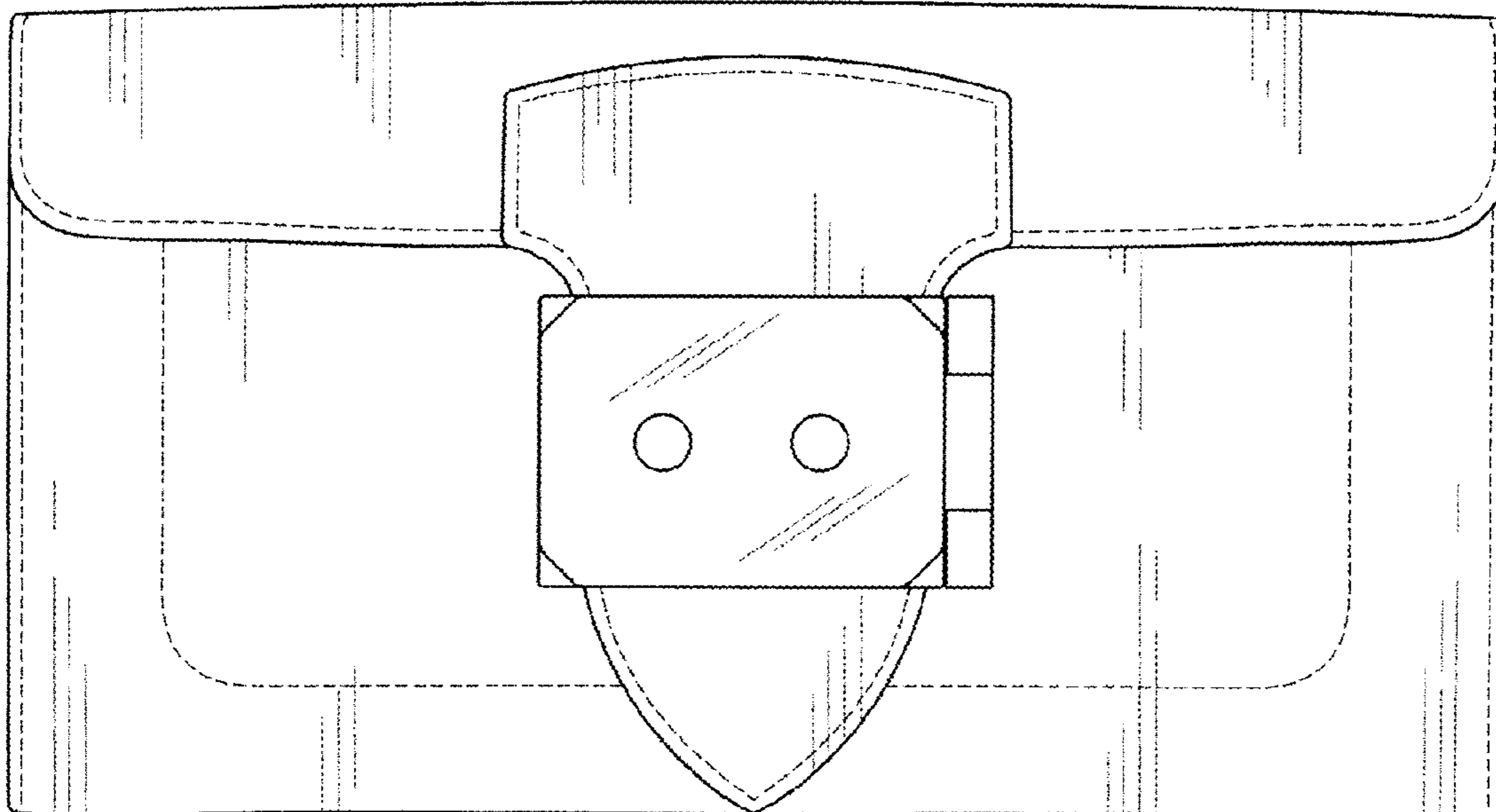
FIG. 5 is a top view of the handbag shown in FIG. 1;

FIG. 6 is a bottom view of the handbag shown in FIG. 1; and,

FIG. 7 is a frontal perspective view of the Handbag shown in FIG. 1.

The ornamental design which is claimed is shown in solid lines in the drawings. The broken lines shown in the drawings represent stitching and are part of the claimed design.

**1 Claim, 7 Drawing Sheets**



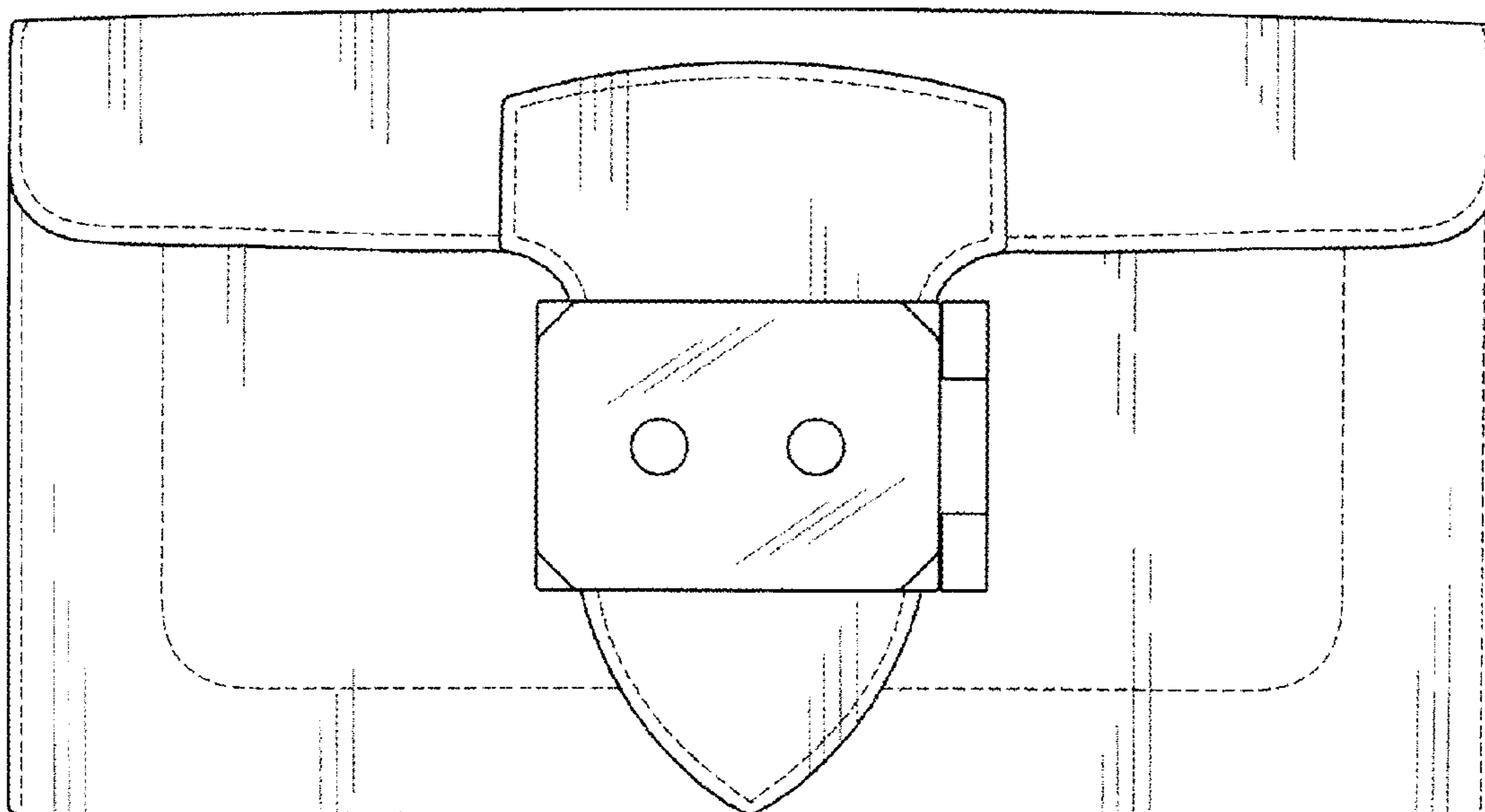


FIG. 1

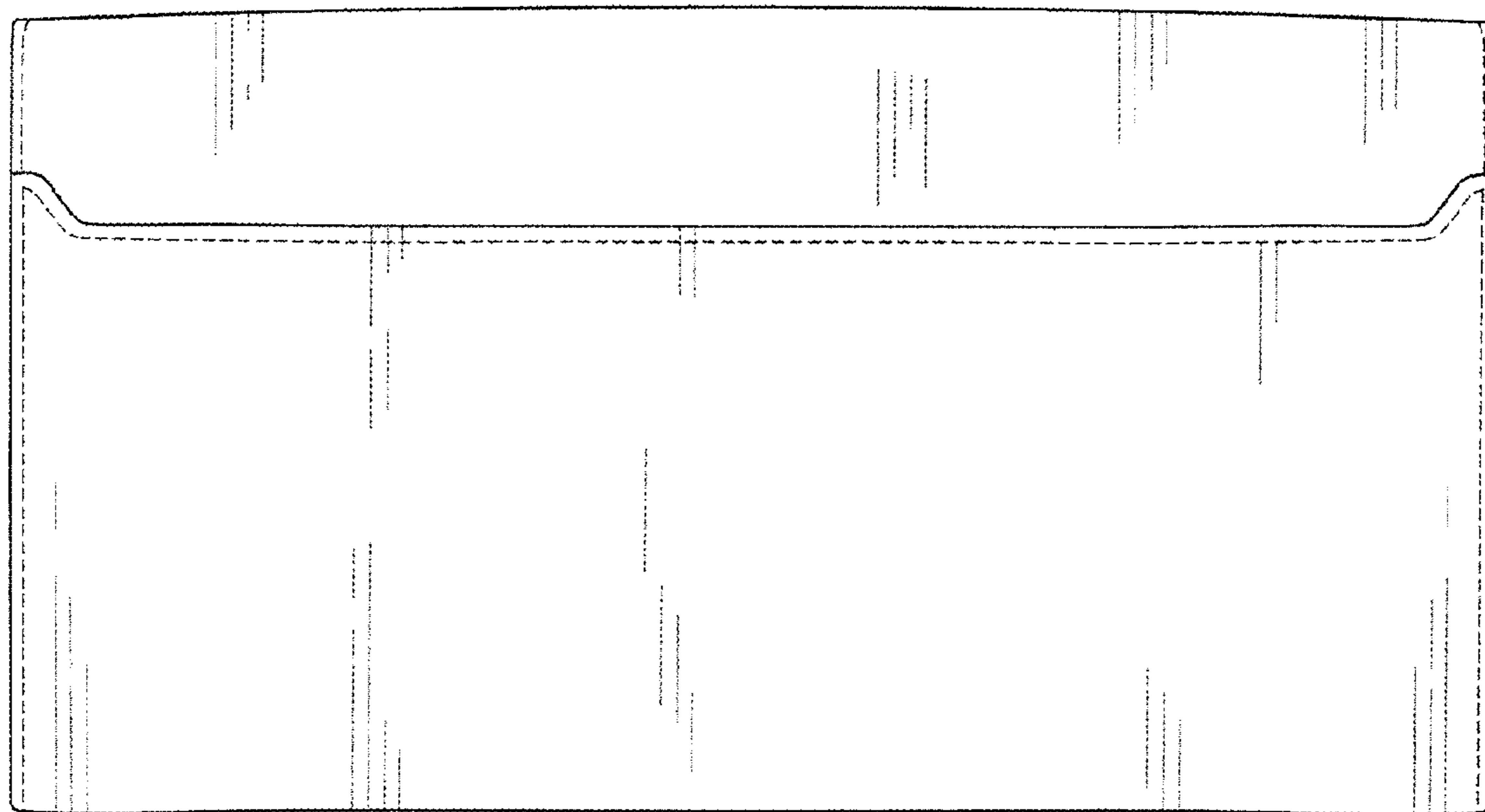


FIG. 2

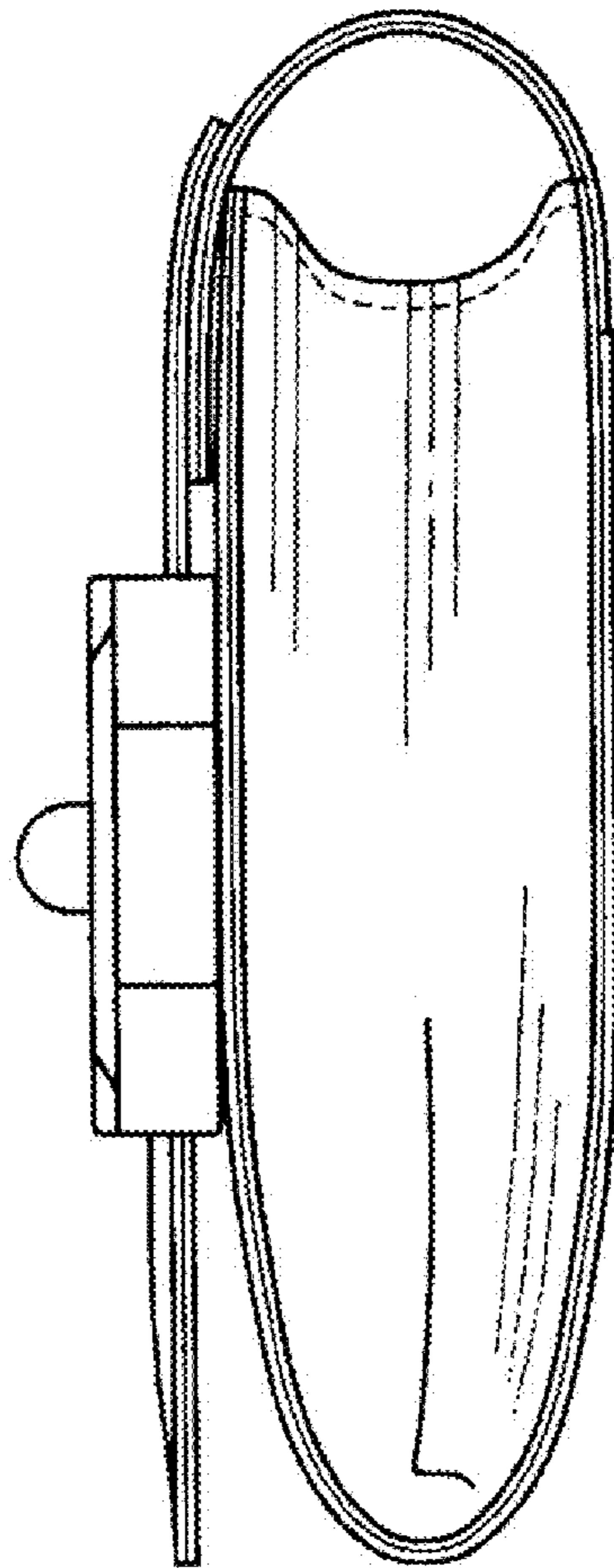


FIG. 3

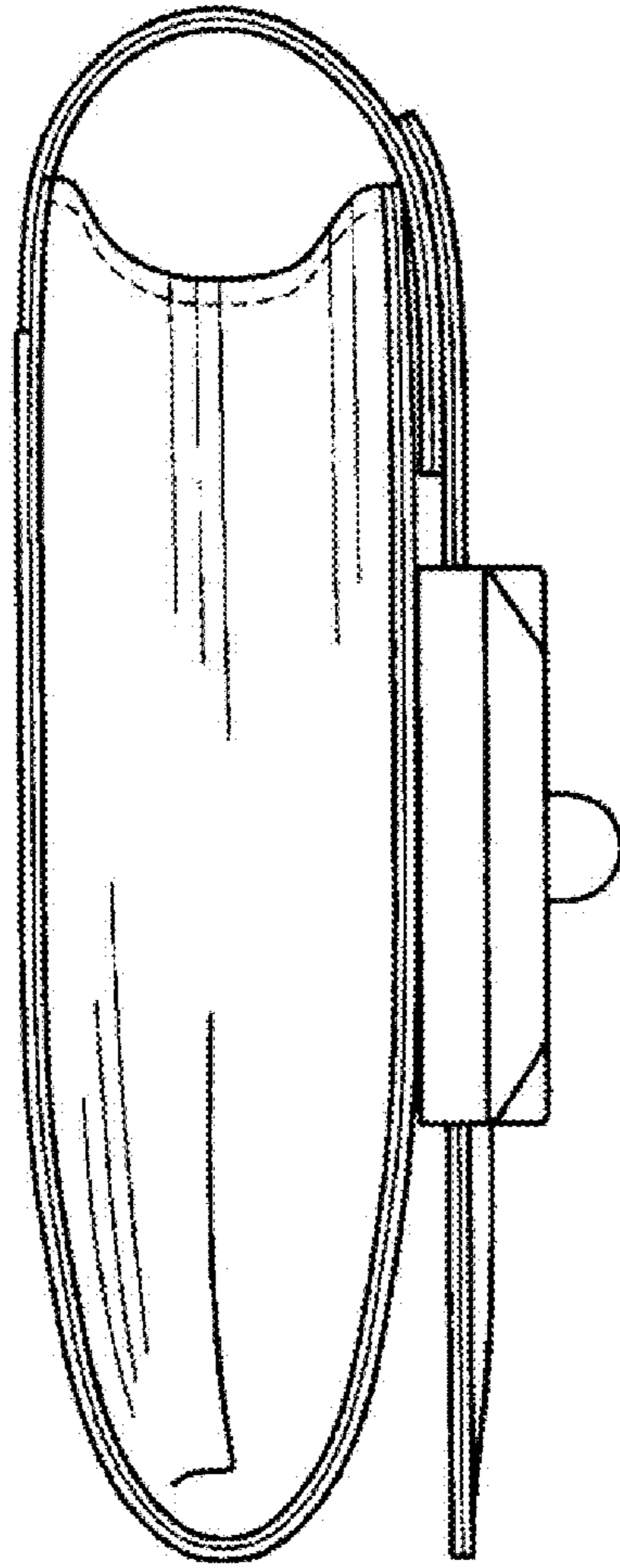


FIG. 4

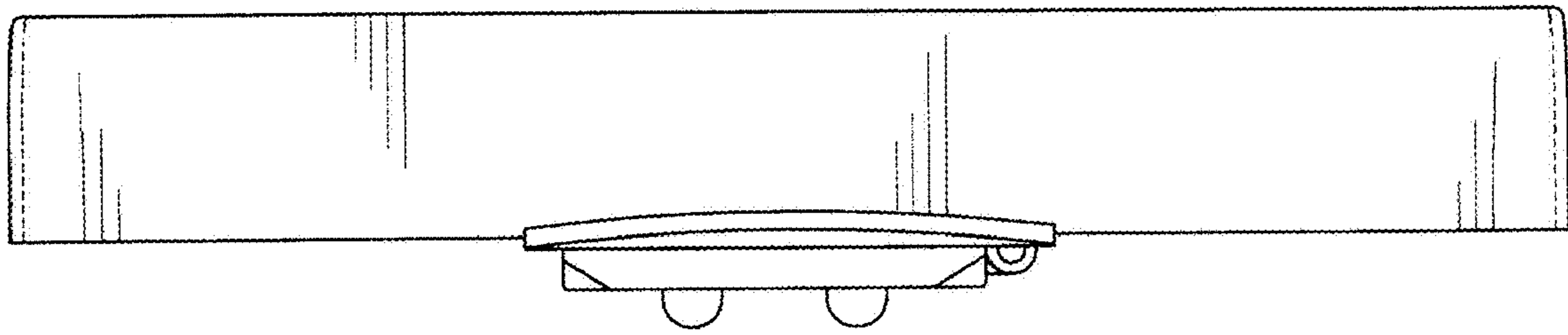


FIG. 5

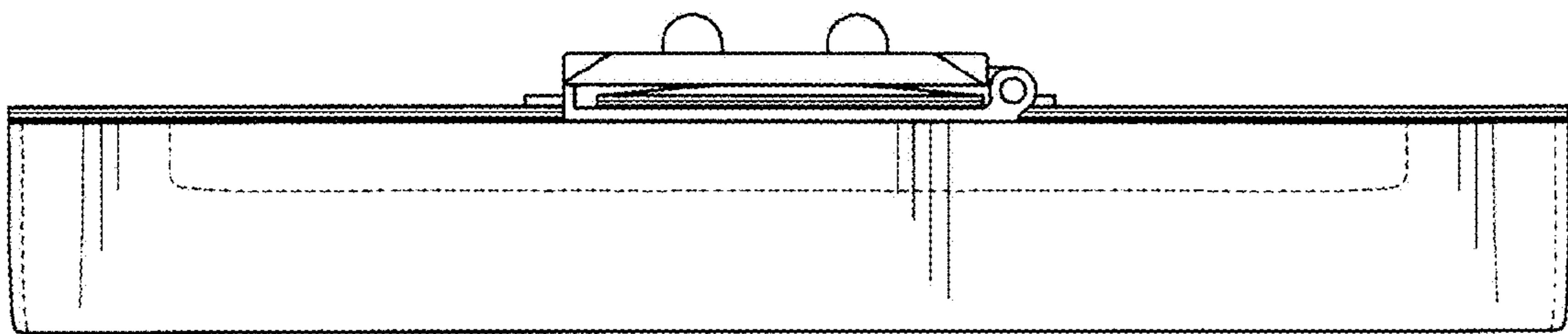


FIG. 6

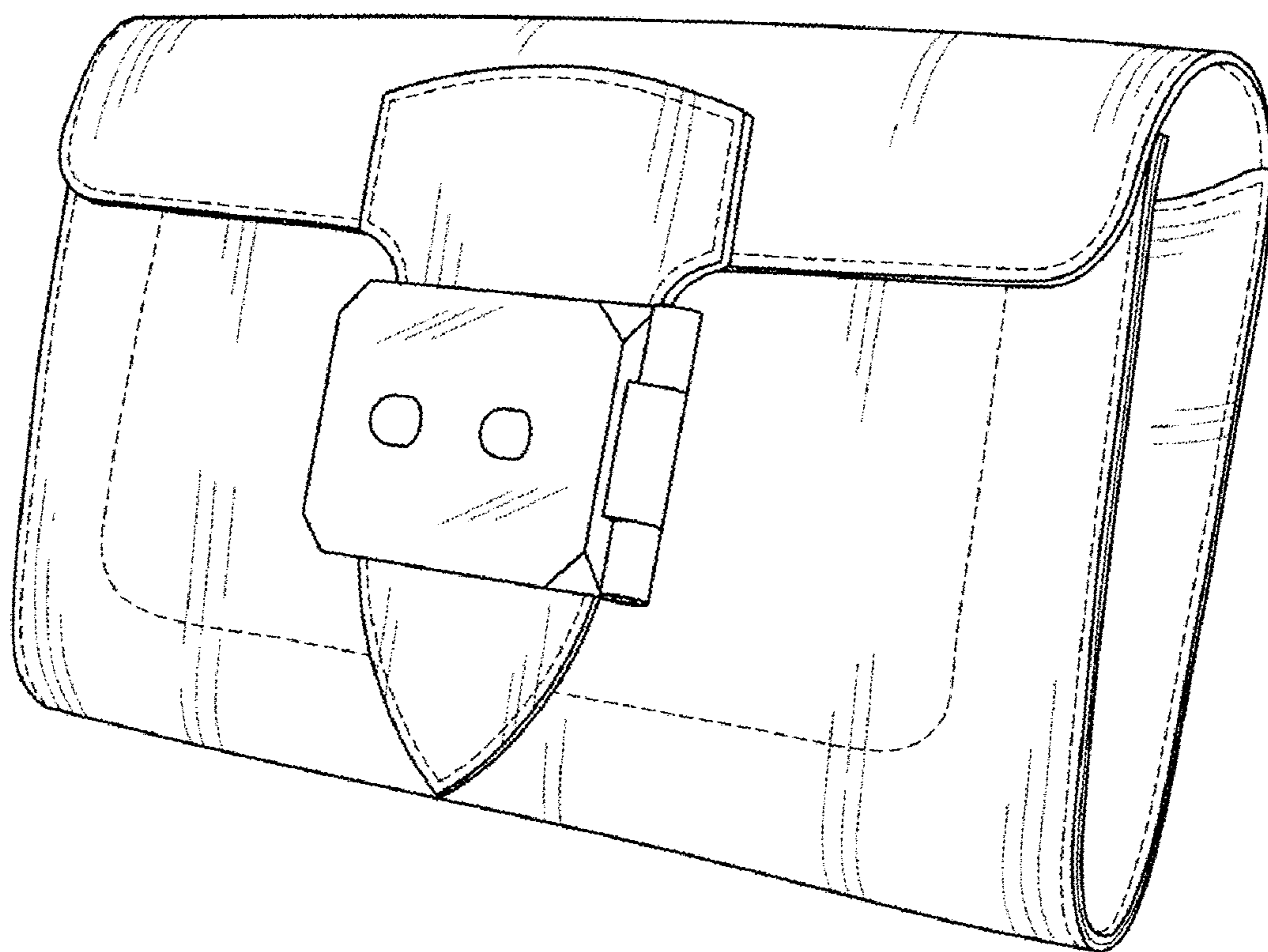


FIG. 7