



US00D613495S

(12) **United States Design Patent**
Foreman

(10) **Patent No.:** **US D613,495 S**

(45) **Date of Patent:** **** Apr. 13, 2010**

(54) **STACKABLE PILL CONTAINER**

D584,891 S * 1/2009 Muhlhausen et al. D3/203.2

(76) **Inventor:** **Frank Eugene Foreman**, 2224 273rd Ct. SE., Sammamish, WA (US) 98075

* cited by examiner

Primary Examiner—Catherine R Oliver

(74) *Attorney, Agent, or Firm*—Kyle H. Flindt

(**) **Term:** **14 Years**

(21) **Appl. No.:** **29/327,586**

(57) **CLAIM**

(22) **Filed:** **Nov. 9, 2008**

The ornamental design for a stackable pill container, as shown.

(51) **LOC (9) Cl.** **03-01**

(52) **U.S. Cl.** **D3/203.2**

(58) **Field of Classification Search** D3/203.1, D3/203.2, 203.3, 203.6, 203.7, 201, 205, D3/294; 206/530–545; D9/770, 780, 783
See application file for complete search history.

DESCRIPTION

FIG. 1 is a front perspective view of the stackable pill container showing my new design, with the flip top lid open;

FIG. 2 is a side view (with flip-top lid open) thereof;

FIG. 3 is a opposite side view (with flip-top lid closed) thereof;

FIG. 4 is a top view (with flip-top lid closed) thereof; and,

FIG. 5 is a bottom view thereof.

(56) **References Cited**

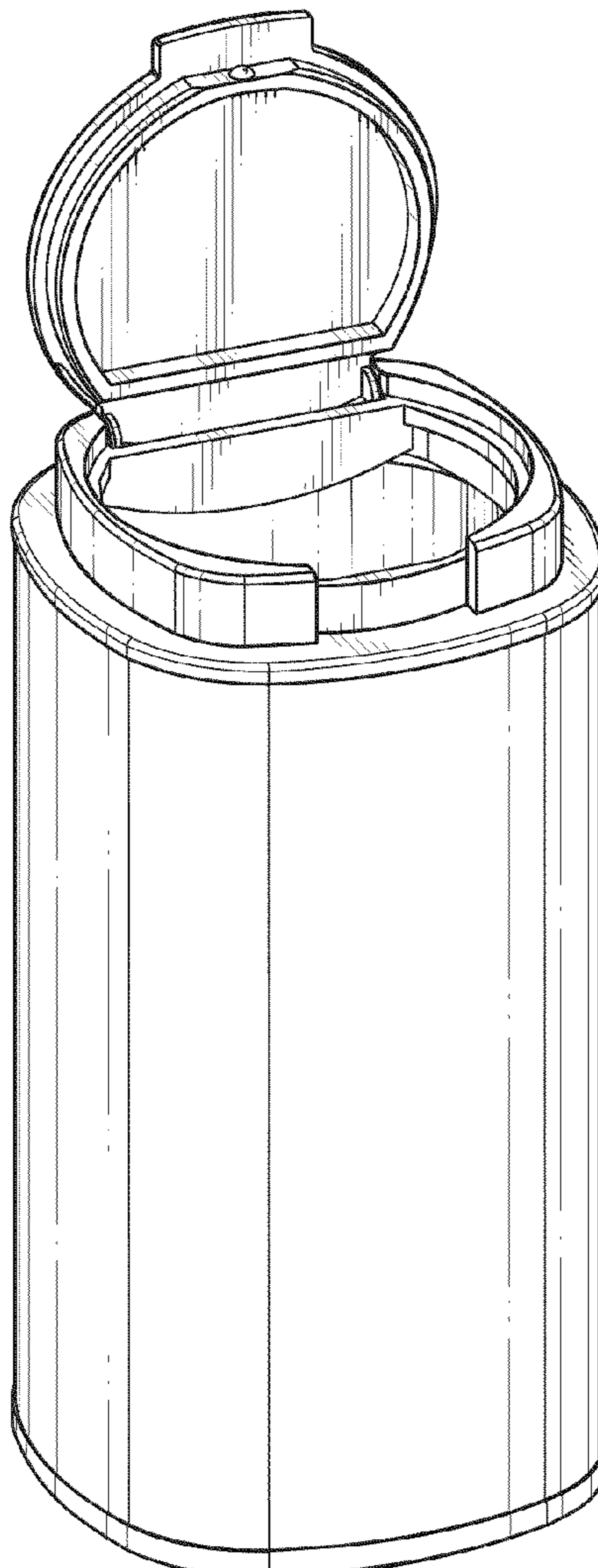
U.S. PATENT DOCUMENTS

D274,040 S * 5/1984 Ridgley D3/203.3

D310,628 S * 9/1990 Rayner D9/780

D498,584 S * 11/2004 DiMarchi et al. D3/203.2

1 Claim, 2 Drawing Sheets



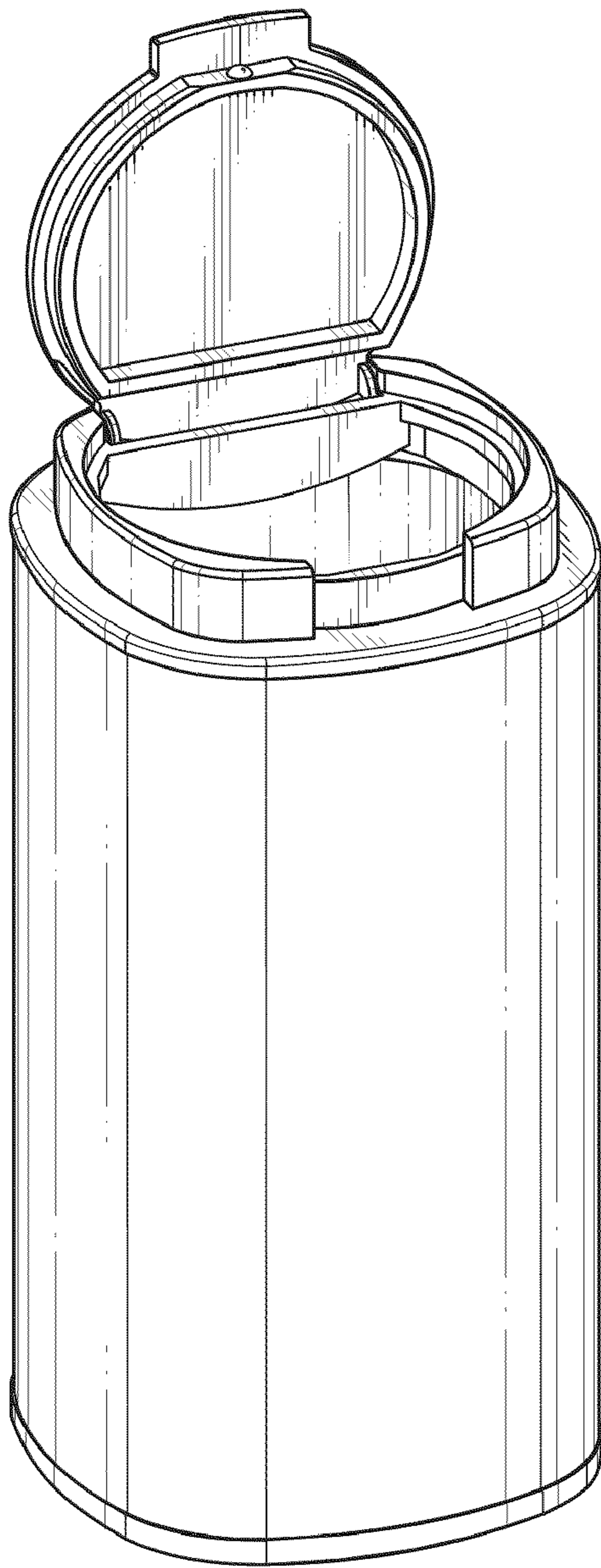


FIG. 1

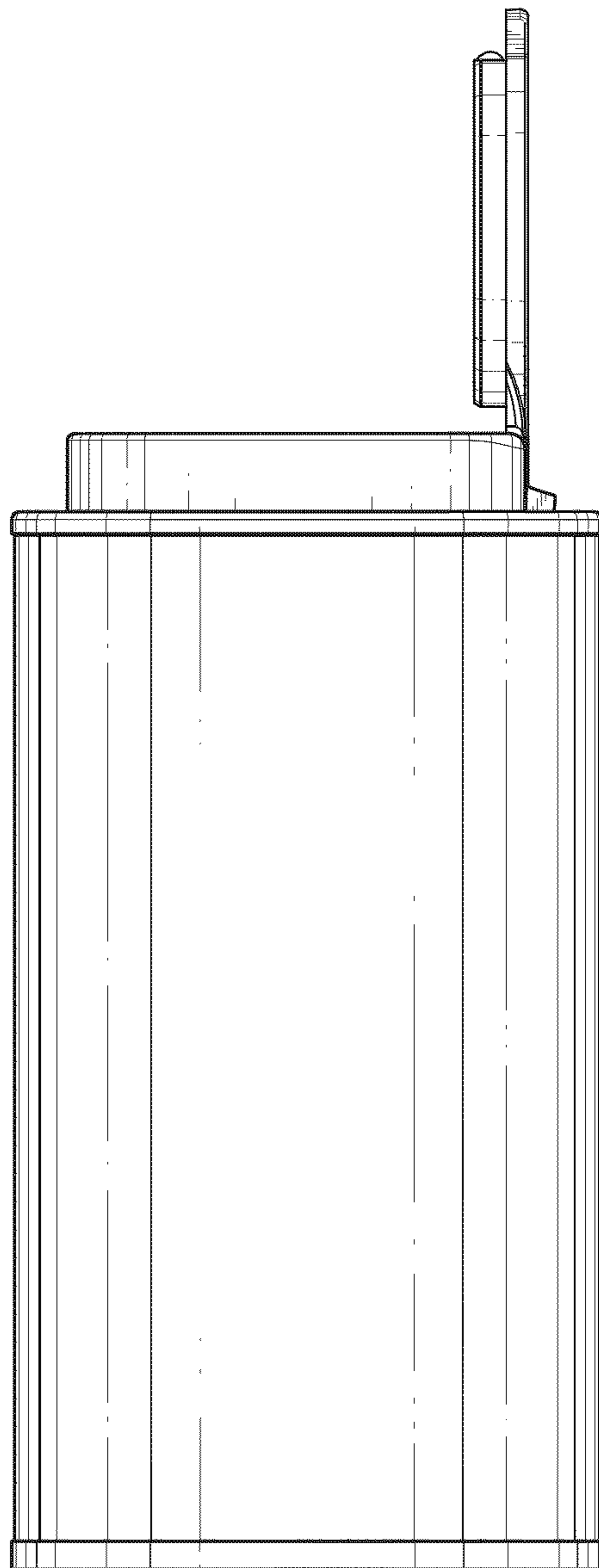


FIG. 2

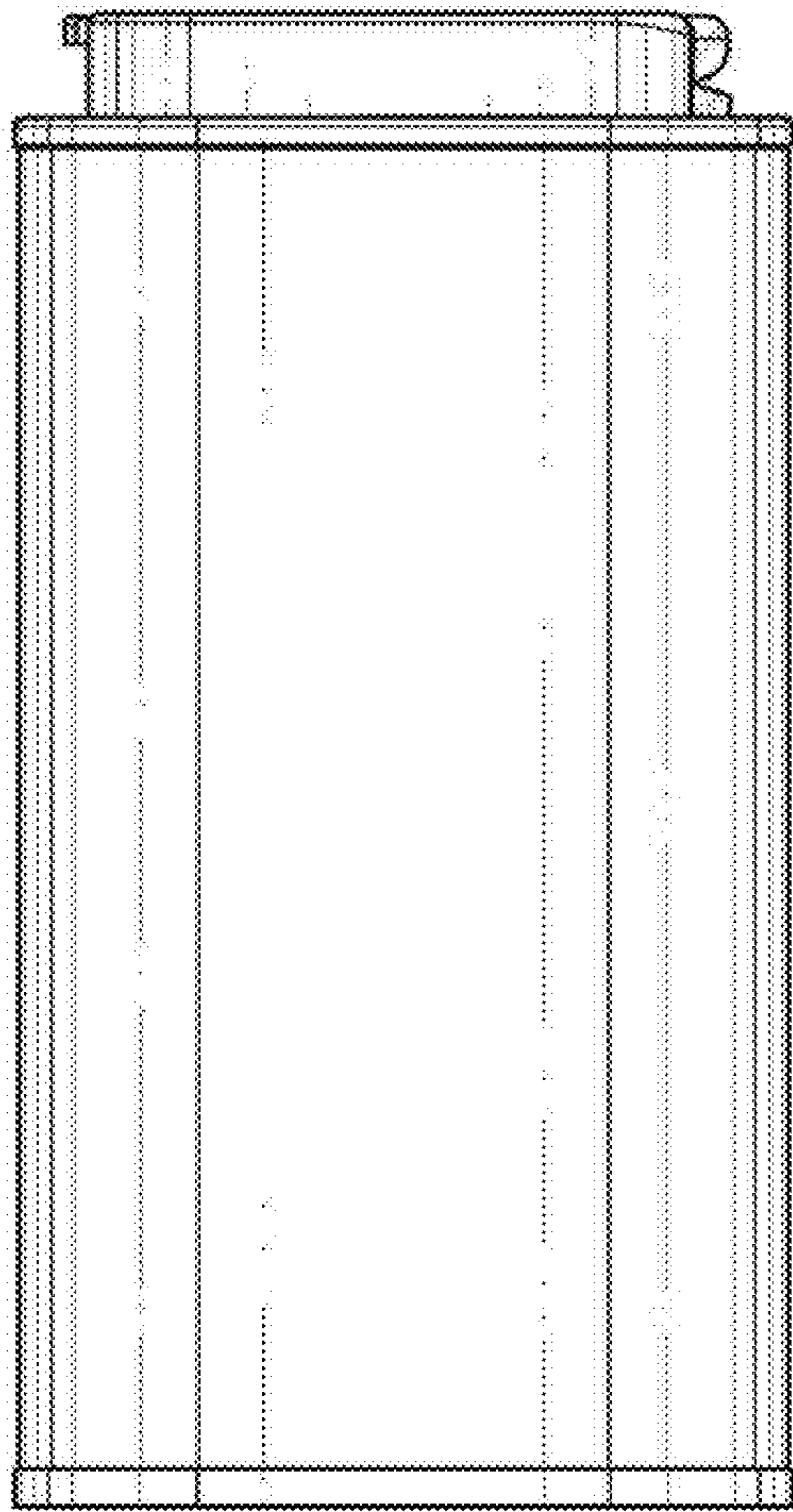


FIG. 3

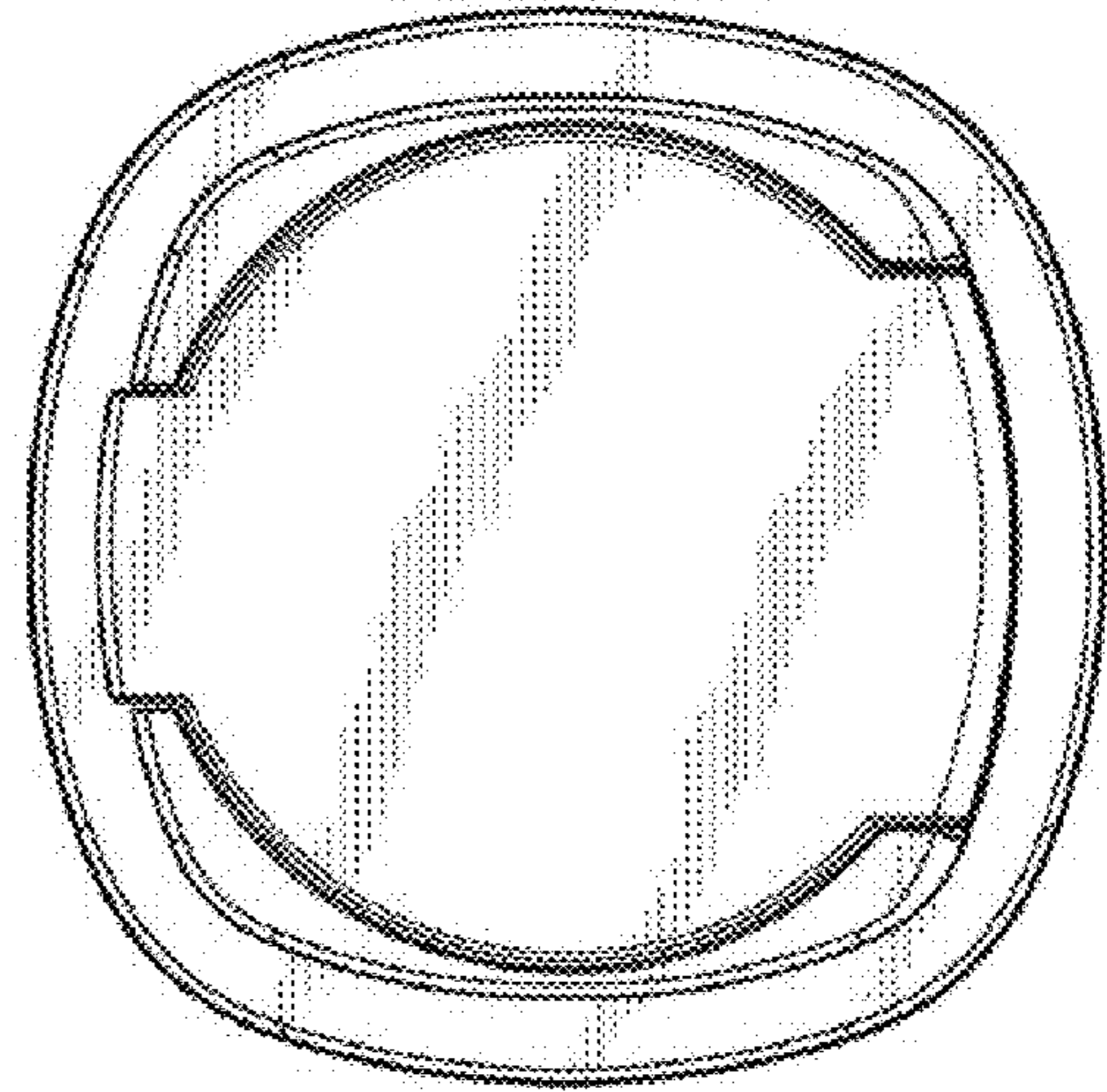


FIG. 4

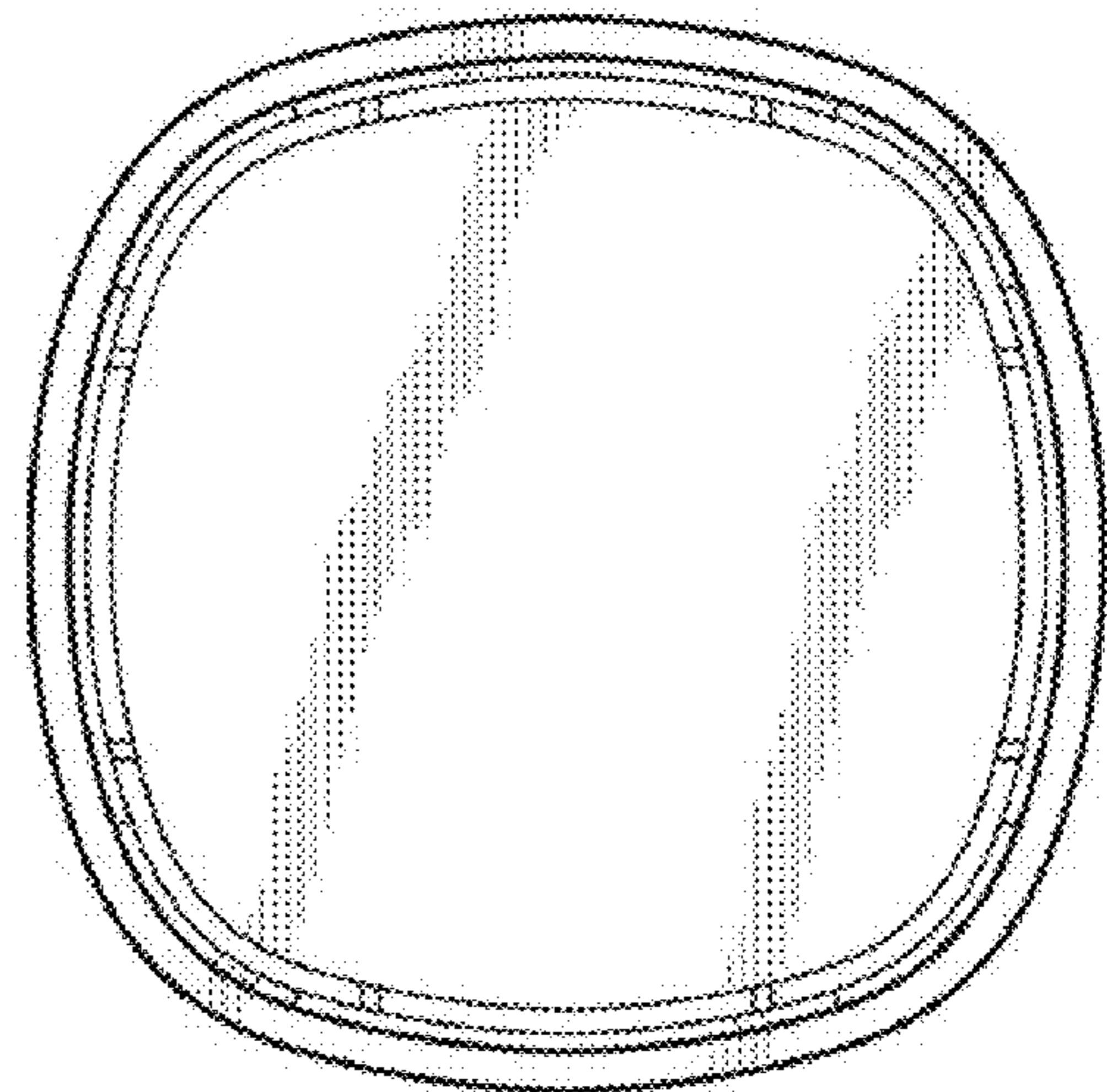


FIG. 5