



US00D613492S

(12) **United States Design Patent**  
**van Genugten**

(10) **Patent No.:** **US D613,492 S**  
(45) **Date of Patent:** **\*\* Apr. 13, 2010**

(54) **PARASOL**

(57) **CLAIM**

(76) **Inventor:** **Giliana Johanna Maria van Genugten,**  
Grote Berg 89, Eindhoven (NL)  
NL-5611 KJ

I claim the ornamental design for a parasol, as shown and described.

(\*\*) **Term:** **14 Years**

**DESCRIPTION**

(21) **Appl. No.:** **29/320,729**

(22) **Filed:** **Jul. 2, 2008**

(30) **Foreign Application Priority Data**

Jan. 4, 2008 (EM) ..... 000853833-0001

(51) **LOC (9) Cl.** ..... **03-03**

(52) **U.S. Cl.** ..... **D3/5**

(58) **Field of Classification Search** ..... D3/5-17;  
D21/836-839; 135/15.1, 16, 17, 19, 20.1,  
135/25.1, 25.2, 25.4, 25.33, 26, 29-31, 33.4,  
135/33.41

See application file for complete search history.

FIG. 1 is a front view of an embodiment of a parasol according to the present invention with the parasol shown in a first position. The rear view thereof is identical to the view of FIG. 1.

FIG. 2 is a bottom perspective view of the parasol of FIG. 1 with the parasol in the first position.

FIG. 3 is a bottom plan view of the parasol of FIG. 1, with the parasol in the first position and the broken lines representing the environmental structure removed;

FIG. 4 is a top plan view of the parasol of FIG. 1 with the parasol in the first position.

FIG. 5 is a front view of the parasol of FIG. 1 with the parasol shown in a second position. The rear view thereof is identical to the view of FIG. 5.

FIG. 6 is a bottom perspective view of the parasol of FIG. 1 with the parasol in the second position.

FIG. 7 is an enlarged bottom plan view of the parasol of FIG. 1, with the parasol in the second position and the broken lines representing the environmental structure removed; and,

FIG. 8 is an enlarged top plan view of the parasol of FIG. 1, with the parasol in the second position.

Features illustrated in broken lines in the Figures depict environmental structure shown for illustrative purposes only and form no part of the claimed design.

(56) **References Cited**

U.S. PATENT DOCUMENTS

D165,654 S \* 1/1952 Kramer ..... D3/5  
3,692,035 A \* 9/1972 Houston ..... 135/33.2  
D345,645 S \* 4/1994 Good ..... D3/5  
D350,643 S \* 9/1994 De Marco ..... D3/5  
D373,468 S \* 9/1996 Dubinsky ..... D3/5  
D546,551 S \* 7/2007 de Oliveira Santos ..... D3/5

\* cited by examiner

*Primary Examiner*—T. Chase Nelson

*Assistant Examiner*—Anhdao Doan

(74) *Attorney, Agent, or Firm*—Leydig, Voit & Mayer, Ltd.

**1 Claim, 8 Drawing Sheets**

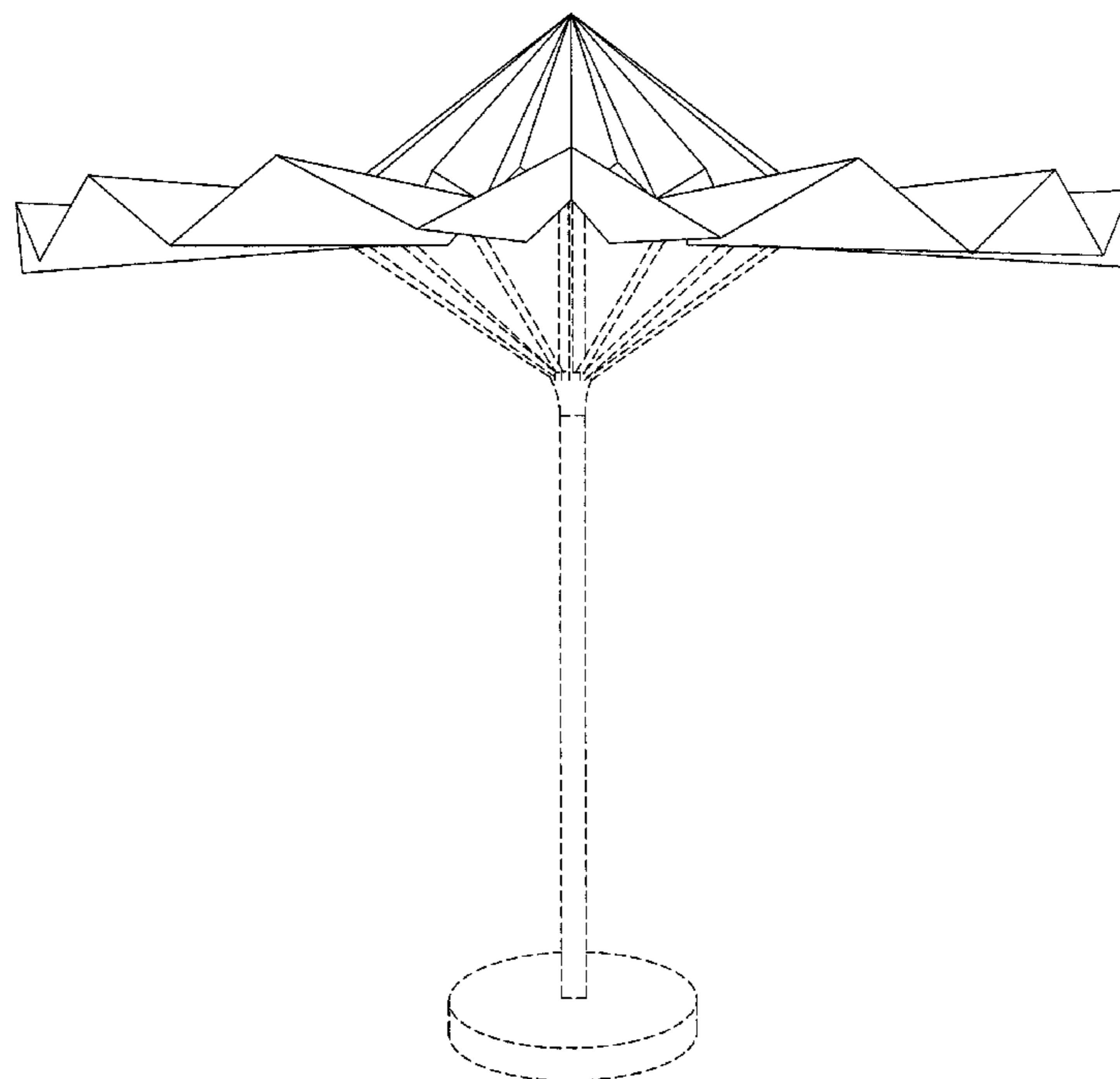


FIG. 1

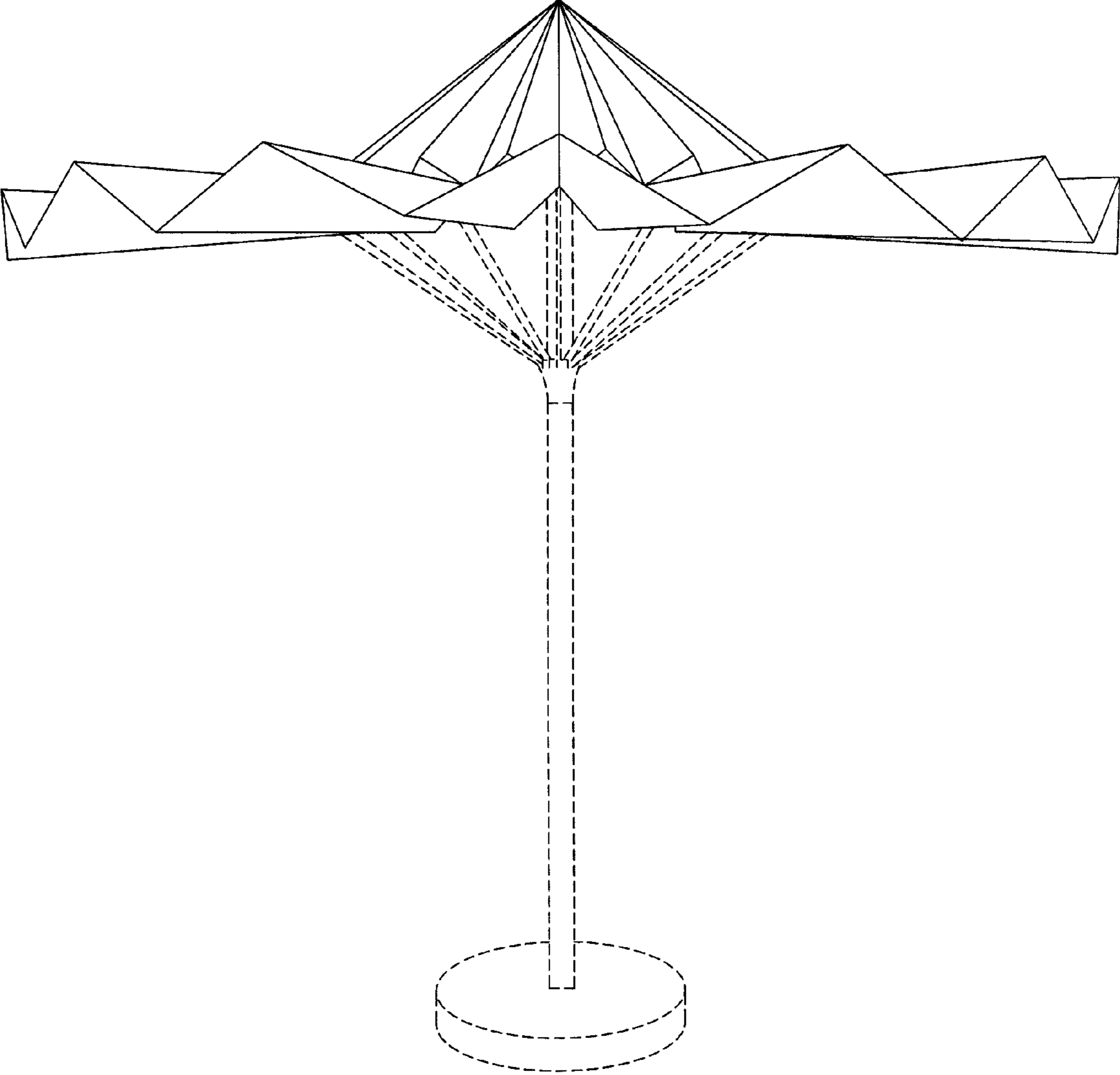


FIG. 2

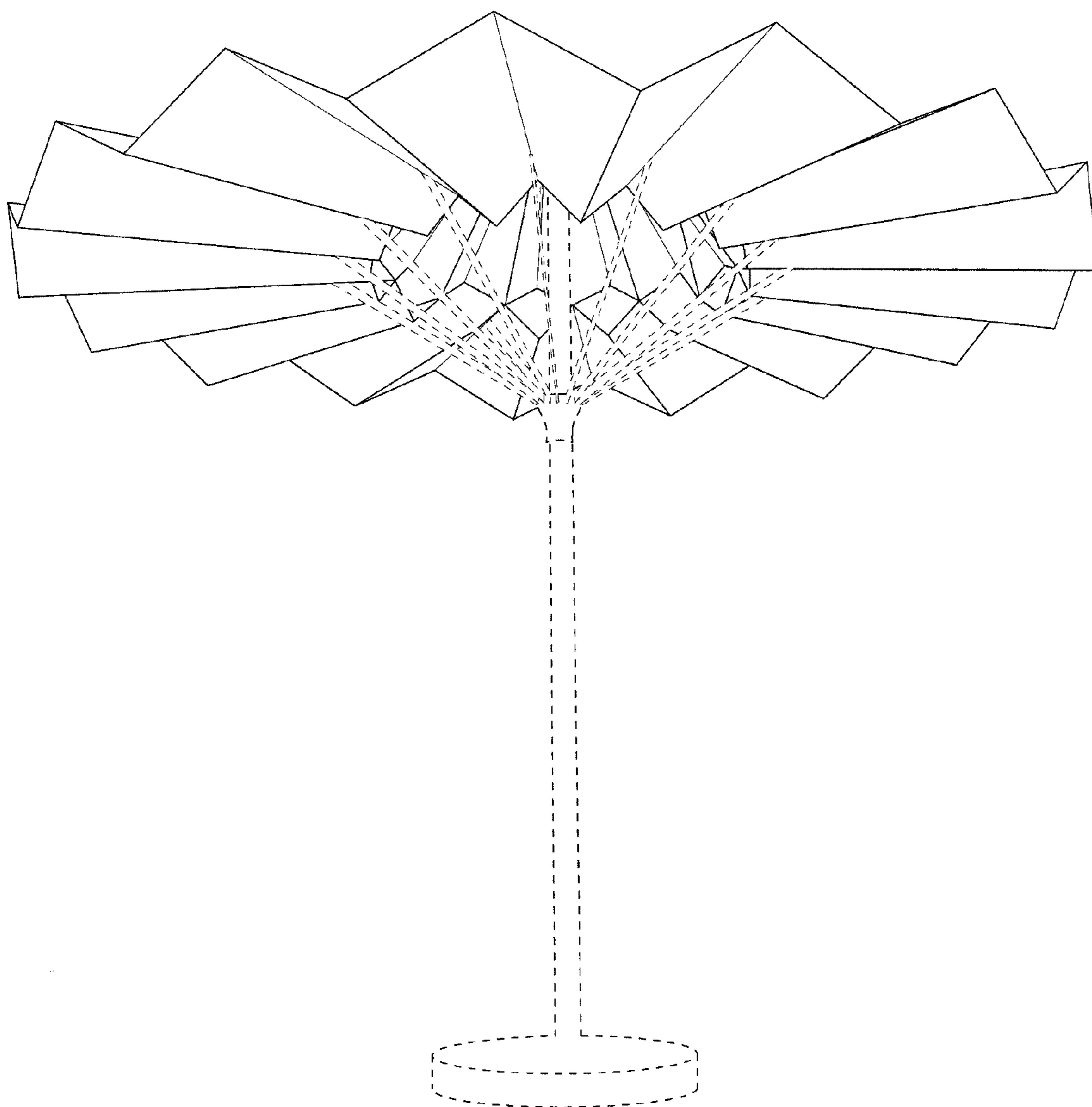


FIG. 3

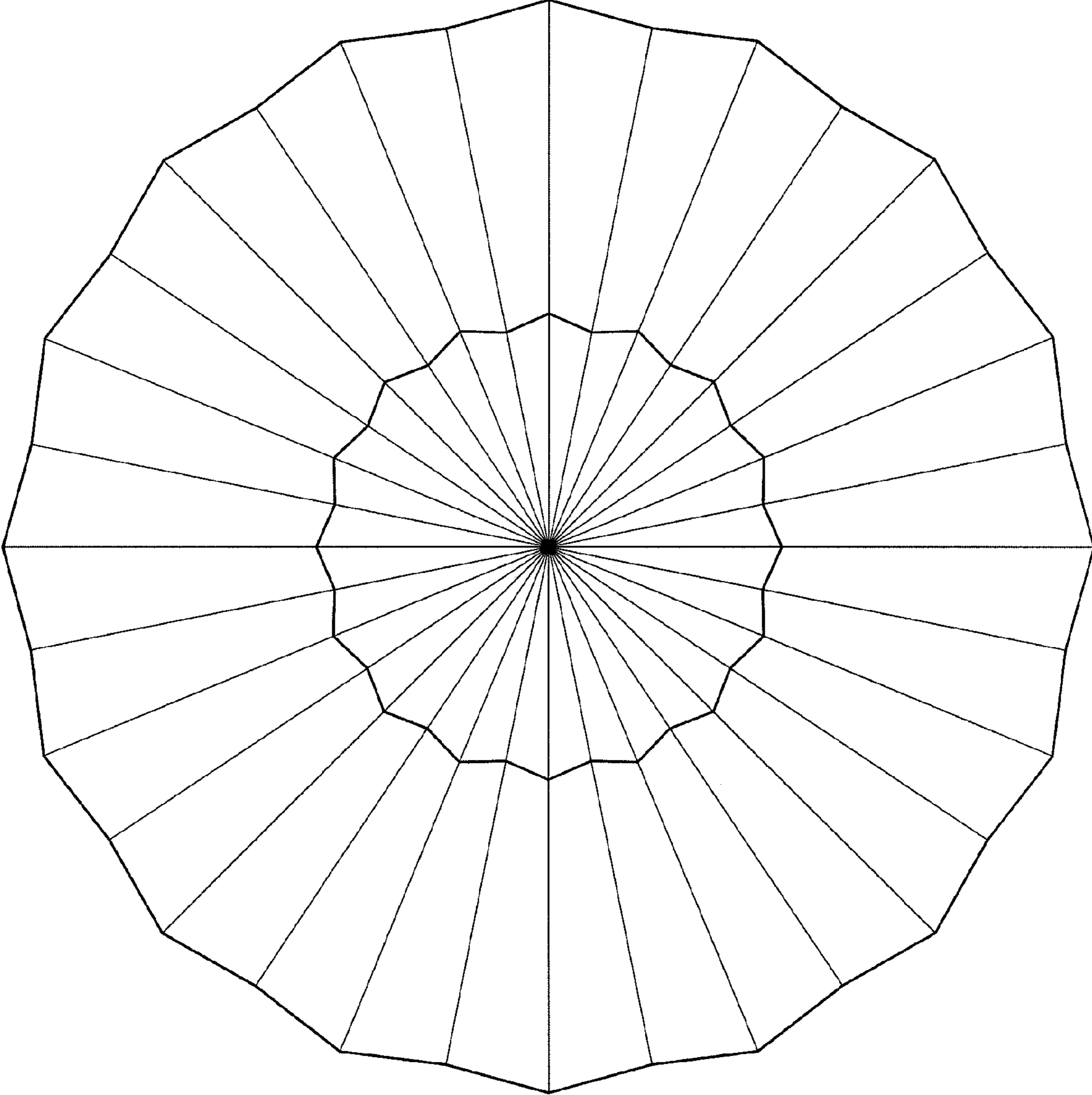


FIG. 4

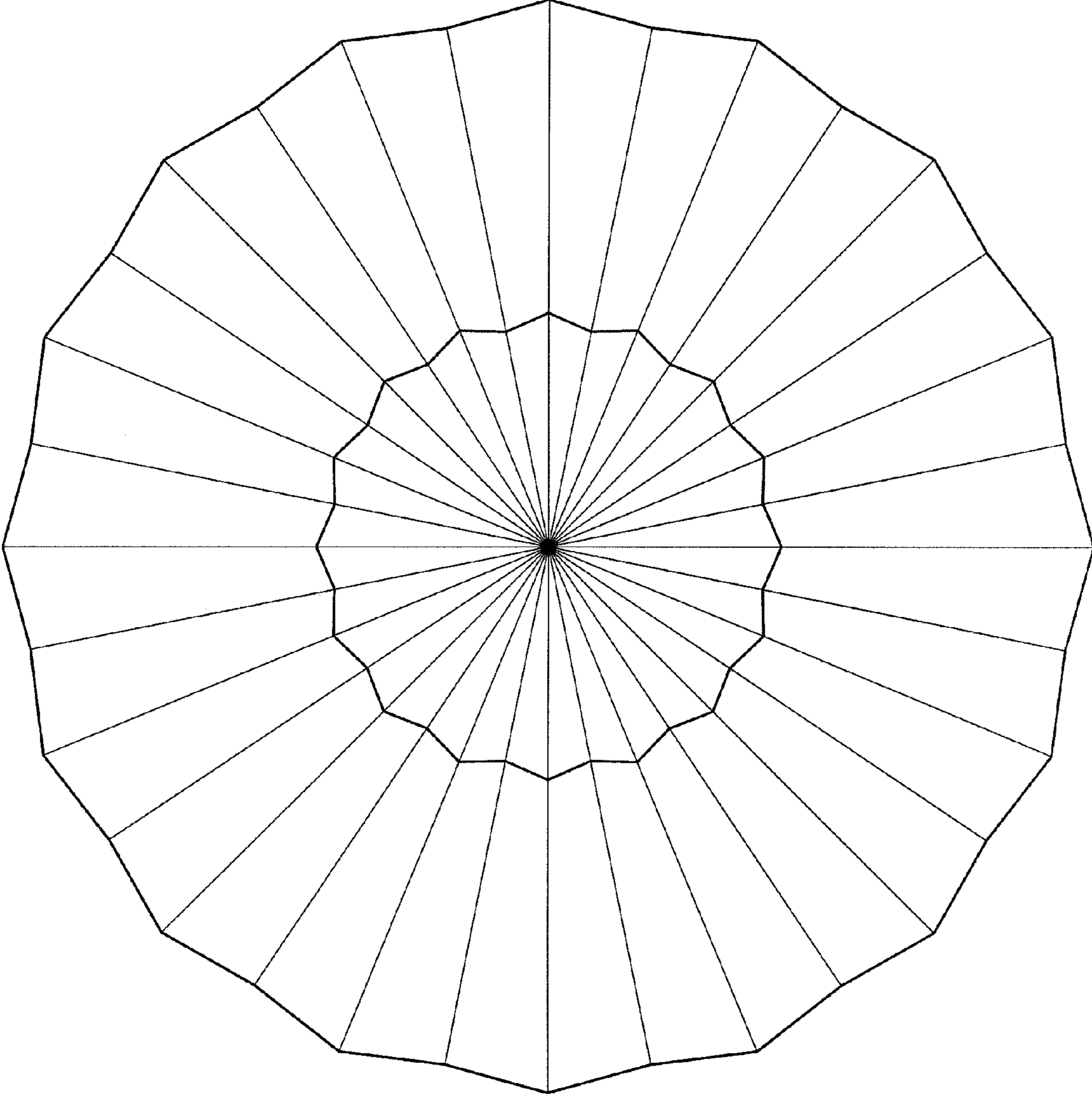


FIG. 5

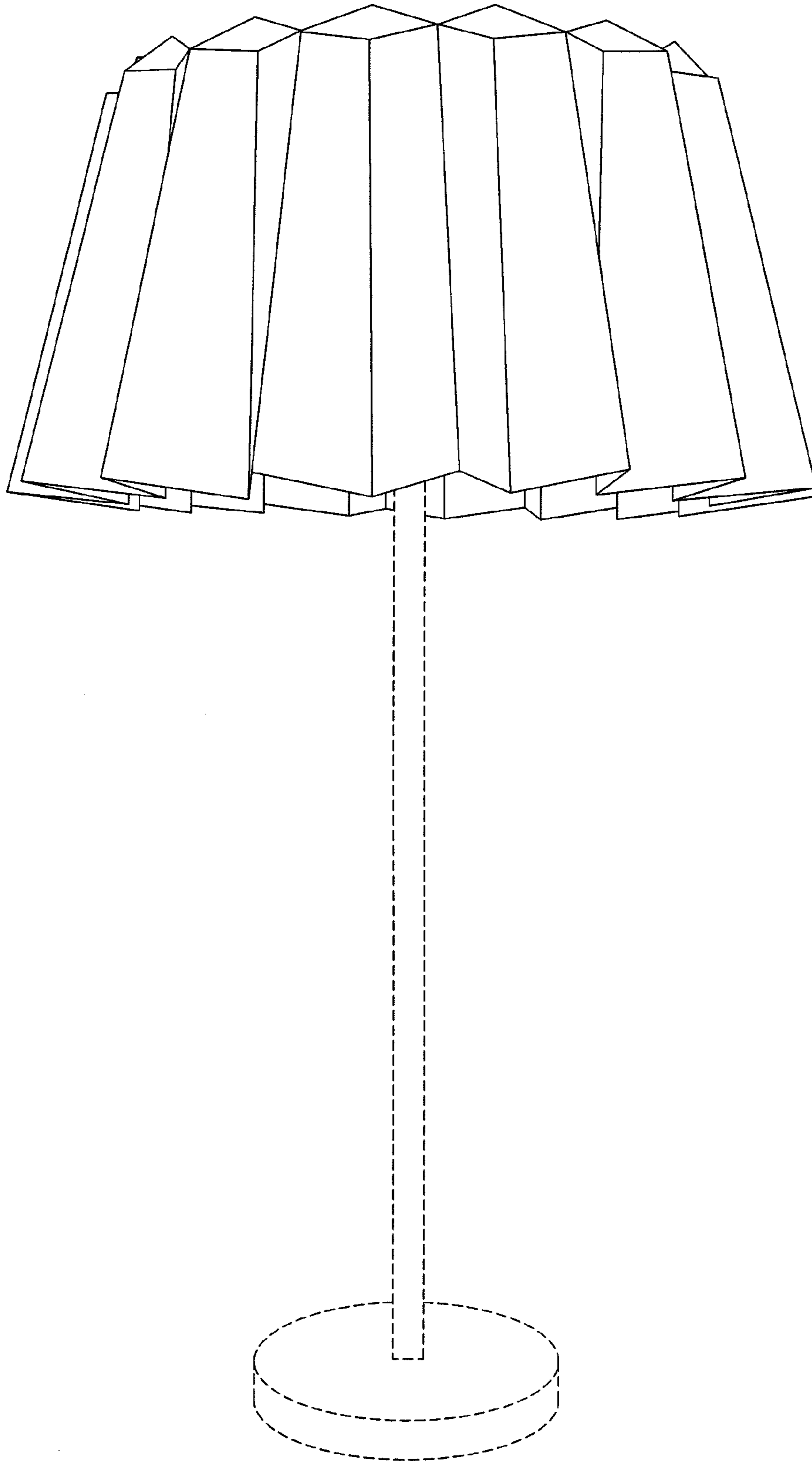


FIG. 6

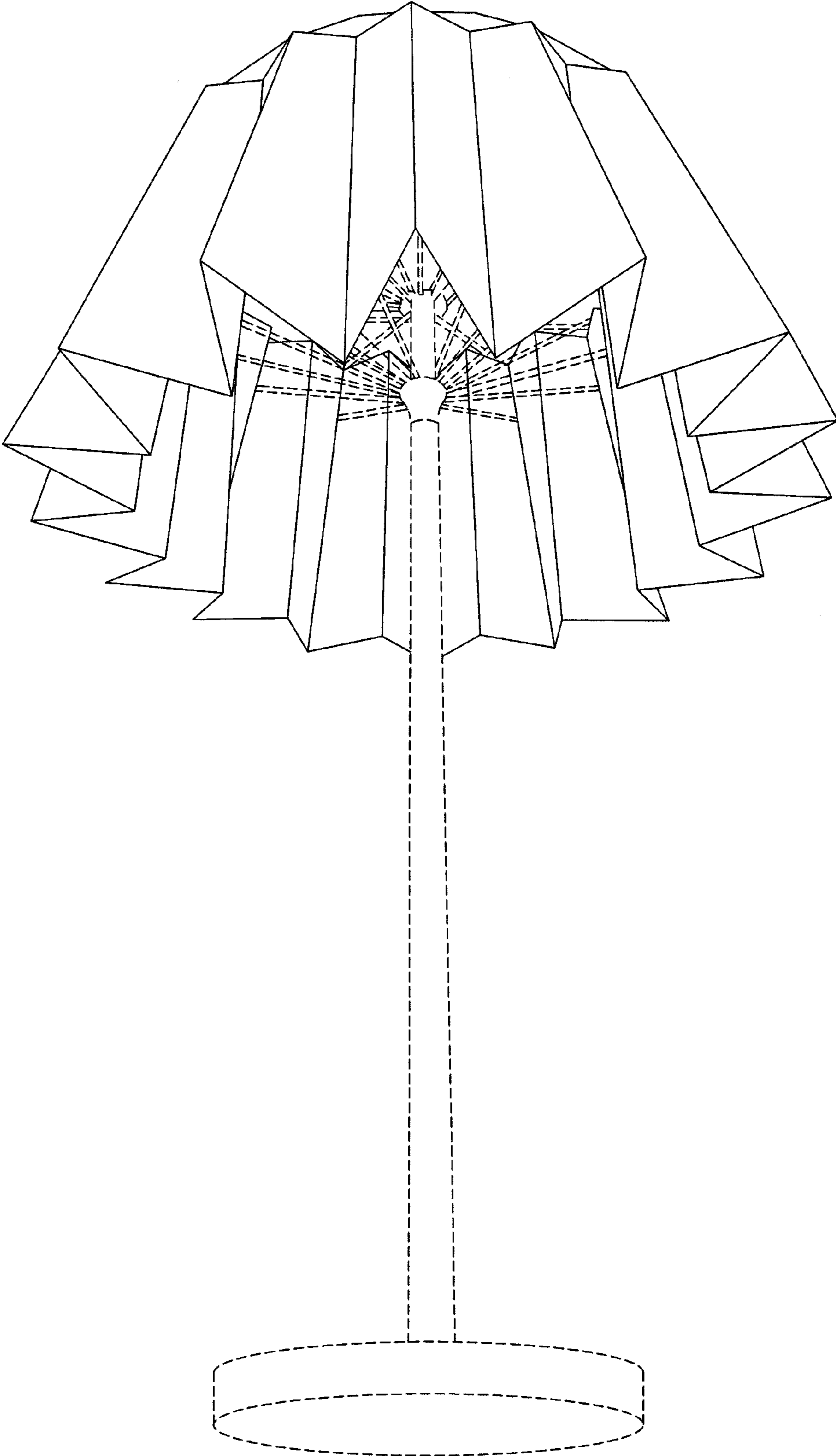


FIG. 7

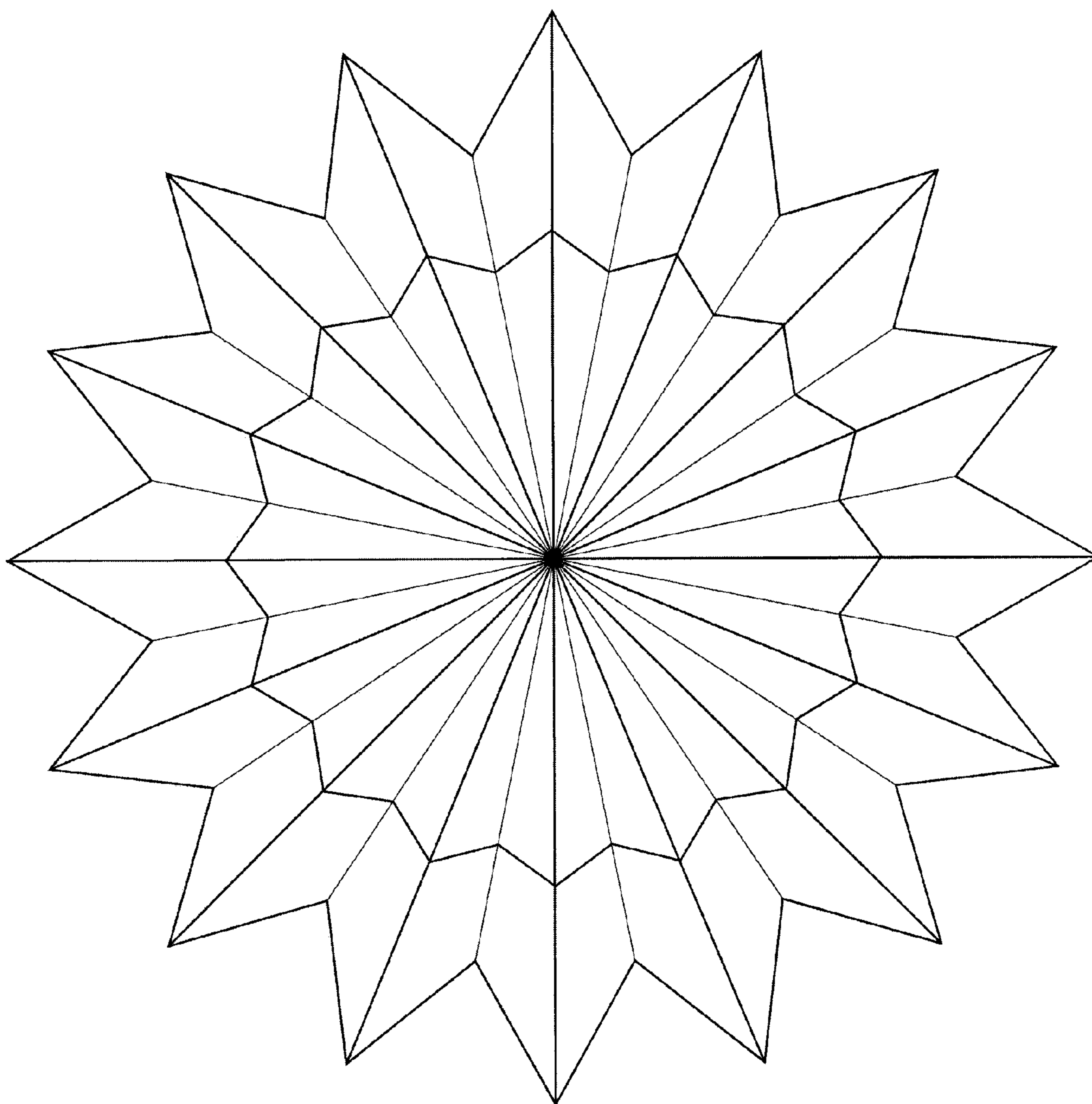




FIG. 8

