



US00D613490S

(12) **United States Design Patent**
Feller et al.

(10) **Patent No.:** **US D613,490 S**
(45) **Date of Patent:** **** Apr. 13, 2010**

(54) **STRAP FOR A SHOE**
(76) Inventors: **Craig Feller**, 29433 Gray Hawk Dr.,
Evergreen, CO (US) 80439; **David G. Berg**, 1371 Waverly, White Lake, MI
(US) 48386; **Thomas E. McGann, III**,
2349 Ethel, Walled Lake, MI (US) 48390

3,867,771 A 2/1975 Levine
D238,625 S * 2/1976 York, Jr. D2/917
3,983,642 A 10/1976 Liao et al.
4,114,295 A 9/1978 Schaefer et al.
4,114,296 A 9/1978 Smith
4,172,330 A 10/1979 Kao
4,193,214 A 3/1980 Wang et al.

(**) Term: **14 Years**

(21) Appl. No.: **29/320,865**

(Continued)

(22) Filed: **Jul. 7, 2008**

Primary Examiner—Stella M Reid
Assistant Examiner—Rashida C McCoy
(74) *Attorney, Agent, or Firm*—Gifford, Krass, Sprinkle,
Anderson & Citkowski, P.C.

(51) **LOC (9) Cl.** **02-99**

(52) **U.S. Cl.** **D2/978**

(58) **Field of Classification Search** D2/900,
D2/916–918, 943, 946, 969, 974, 976; 36/45,
36/11.5, 90, 101, 3 A, 50.1, 7.5, 9 R
See application file for complete search history.

(57) **CLAIM**

The ornamental design for a strap for a shoe, as shown and described.

(56) **References Cited**

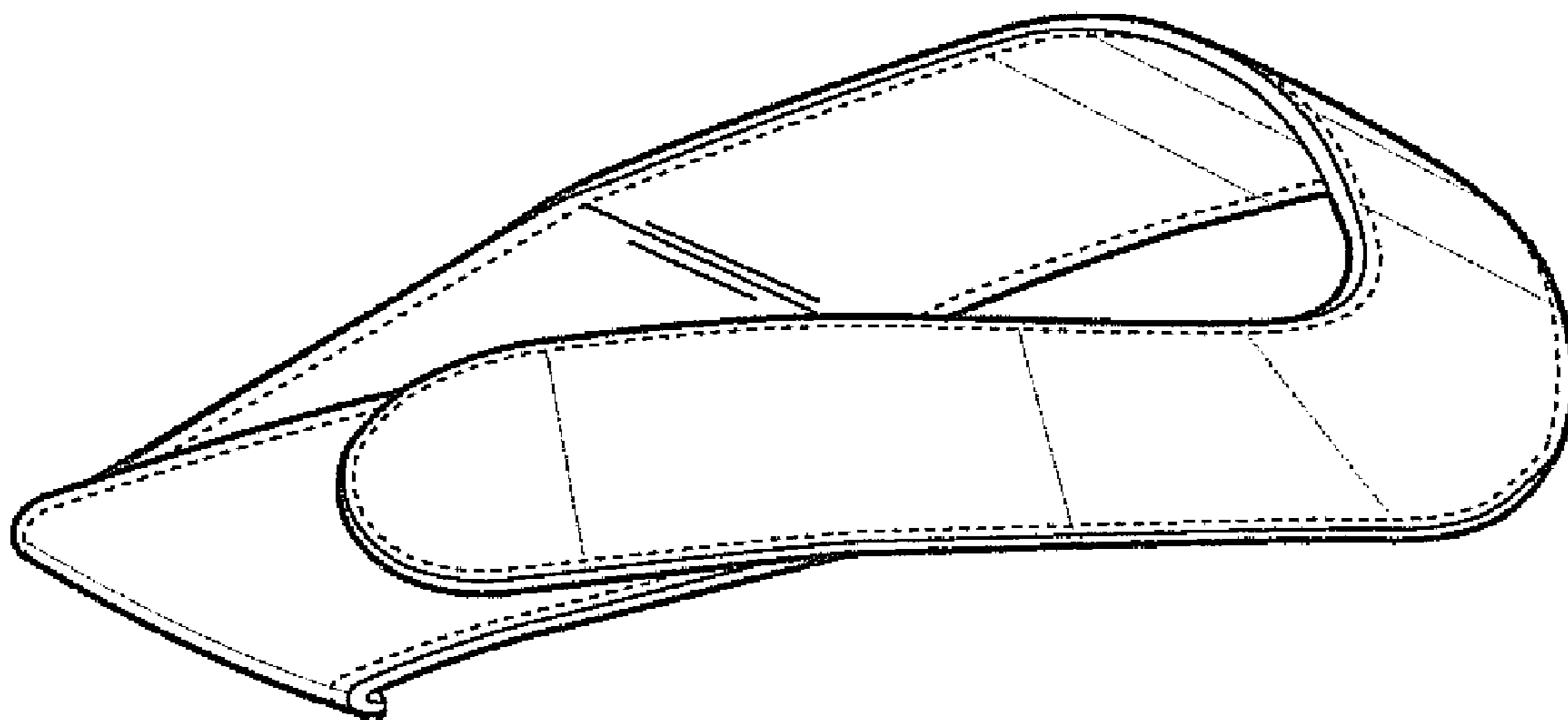
U.S. PATENT DOCUMENTS

1,823,445 A	9/1931	Goldstone
2,253,860 A	8/1941	Martin
D132,630 S	6/1942	Pfeiffer
2,343,701 A	3/1944	Pickens
2,491,297 A	12/1949	Brown
2,495,984 A	1/1950	Roy
2,526,940 A	10/1950	Fello
D161,707 S	1/1951	Peterson
2,590,648 A	3/1952	Pitz
2,607,133 A	8/1952	Marlowe
2,694,438 A	11/1954	Wilhelm
2,873,540 A	2/1959	Murphy
2,889,639 A	6/1959	Rudine
2,957,253 A	10/1960	Metzler
3,063,166 A	11/1962	Blavier
3,228,124 A	1/1966	Schwartz
3,455,037 A	7/1969	Vlas et al.
3,672,078 A	6/1972	Fukuoka et al.
3,739,501 A	6/1973	Barrett, Jr.

DESCRIPTION

FIG. 1 is a perspective view of a strap for a shoe according to a first embodiment of the present invention;
FIG. 2 is a side perspective view of the strap of FIG. 1;
FIG. 3 is an opposite side perspective view of the strap of FIGS. 1–2;
FIG. 4 is a top perspective view of the strap of FIGS. 1–3;
FIG. 5 is a bottom perspective view of the strap of FIGS. 1–4;
FIG. 6 is a front perspective view of the strap of FIGS. 1–5;
and,
FIG. 7 is a rear perspective view of the strap of FIGS. 1–6.
The broken lines shown in the Figures are for environmental purposes only and form no part of the claimed design.

1 Claim, 3 Drawing Sheets



US D613,490 S

Page 2

U.S. PATENT DOCUMENTS

4,267,649	A	5/1981	Smith	D441,942	S	5/2001	Kelchak
4,279,083	A	7/1981	Dilg	6,282,818	B1	9/2001	Lu et al.
4,297,798	A	11/1981	Colan	D454,425	S	3/2002	Boncutter
4,300,294	A	11/1981	Riecken	D467,407	S	12/2002	Berg et al.
4,314,412	A	2/1982	Anderson et al.	D467,709	S	12/2002	Berg et al.
4,343,057	A	8/1982	Bensley et al.	D470,304	S	2/2003	Berg et al.
4,348,820	A	9/1982	D'Alessio	D471,346	S	3/2003	Bray, Jr. at al.
4,363,177	A	12/1982	Boros	D485,050	S	1/2004	Lin
4,370,818	A	2/1983	Simoglou	D485,970	S	2/2004	Magro et al.
4,439,935	A	4/1984	Kelly	D485,971	S	2/2004	Magro at al.
4,450,633	A	5/1984	Connelly et al.	D492,474	S	7/2004	Branstrom
4,461,102	A	7/1984	DeVincentis	D495,123	S *	8/2004	Wakatake D2/969
4,497,123	A	2/1985	Ehrlich et al.	D495,124	S	8/2004	Wakatake
4,563,787	A	1/1986	Drew et al.	6,792,696	B2	9/2004	Berg et al.
4,745,693	A	5/1988	Brown	D497,243	S	10/2004	McClaskie
4,854,056	A	8/1989	Levin	D499,236	S	12/2004	Magro at al.
4,869,000	A	9/1989	York, Jr.	6,883,252	B2 *	4/2005	Cagner 36/11.5
4,887,369	A	12/1989	Bailey et al.	6,904,706	B2 *	6/2005	Jones et al. 36/11.5
4,896,440	A	1/1990	Salaverria	D514,778	S	2/2006	Berg et al.
4,967,750	A	11/1990	Cherniak et al.	D514,780	S	2/2006	Berg et al.
5,052,131	A	10/1991	Rondini	D518,947	S	4/2006	Choi et al.
5,065,531	A	11/1991	Prestridge	7,028,420	B2	4/2006	Tonkel
5,381,610	A	1/1995	Hanson	D521,214	S	5/2006	Choi et al.
5,410,821	A	5/1995	Hilgendorf	D528,747	S	9/2006	Issler
5,423,134	A	6/1995	Bagnaia et al.	7,117,615	B2	10/2006	Gerber
5,459,948	A	10/1995	Aveni	D535,085	S *	1/2007	Berg et al. D2/946
5,477,625	A	12/1995	Goldsmith et al.	D535,464	S	1/2007	Belley et al.
D365,923	S	1/1996	Crowley	7,162,814	B2	1/2007	Berg et al.
5,483,757	A	1/1996	Frykberg	7,174,657	B2	2/2007	Berg et al.
D374,335	S	10/1996	Grimes	D542,514	S	5/2007	Amado et al.
5,611,156	A	3/1997	Chiu	D543,345	S	5/2007	Andersen et al.
D385,999	S	11/1997	Tong	7,222,442	B2 *	5/2007	Hillyer et al. 36/11.5
5,692,322	A	12/1997	Lombardino	D545,034	S	6/2007	Amado et al.
5,778,565	A	7/1998	Holt et al.	D552,343	S	10/2007	Brandenburg
5,802,738	A	9/1998	Ferniani et al.	D554,330	S	11/2007	White
5,836,090	A	11/1998	Smith	D555,342	S *	11/2007	Reina et al. D2/970
5,848,484	A	12/1998	Dupree et al.	D556,435	S *	12/2007	Lee D2/969
5,852,885	A	12/1998	Ferniani et al.	D558,435	S	1/2008	Masoodifar
D403,493	S	1/1999	McKinley	D558,958	S	1/2008	Motomura et al.
5,896,684	A	4/1999	Lin et al.	7,328,527	B2	2/2008	Goldman
5,946,823	A	9/1999	Yates	D564,734	S	3/2008	Krompasick at al.
D421,828	S	3/2000	Malka	D575,051	S	8/2008	Bartee
6,035,554	A	3/2000	Duncan	D577,882	S	10/2008	Little
6,128,834	A	10/2000	Vecchiola et al.				

* cited by examiner

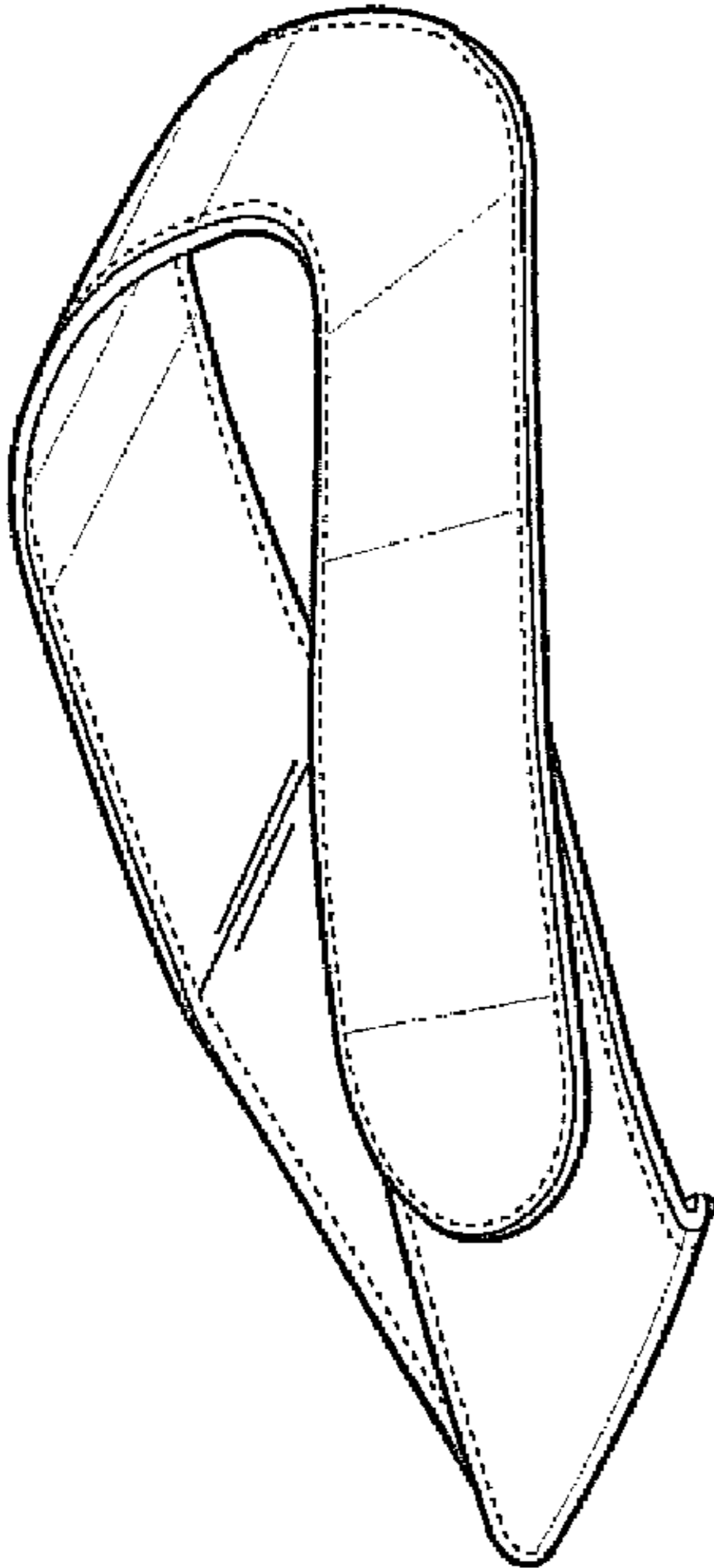


FIG - 1

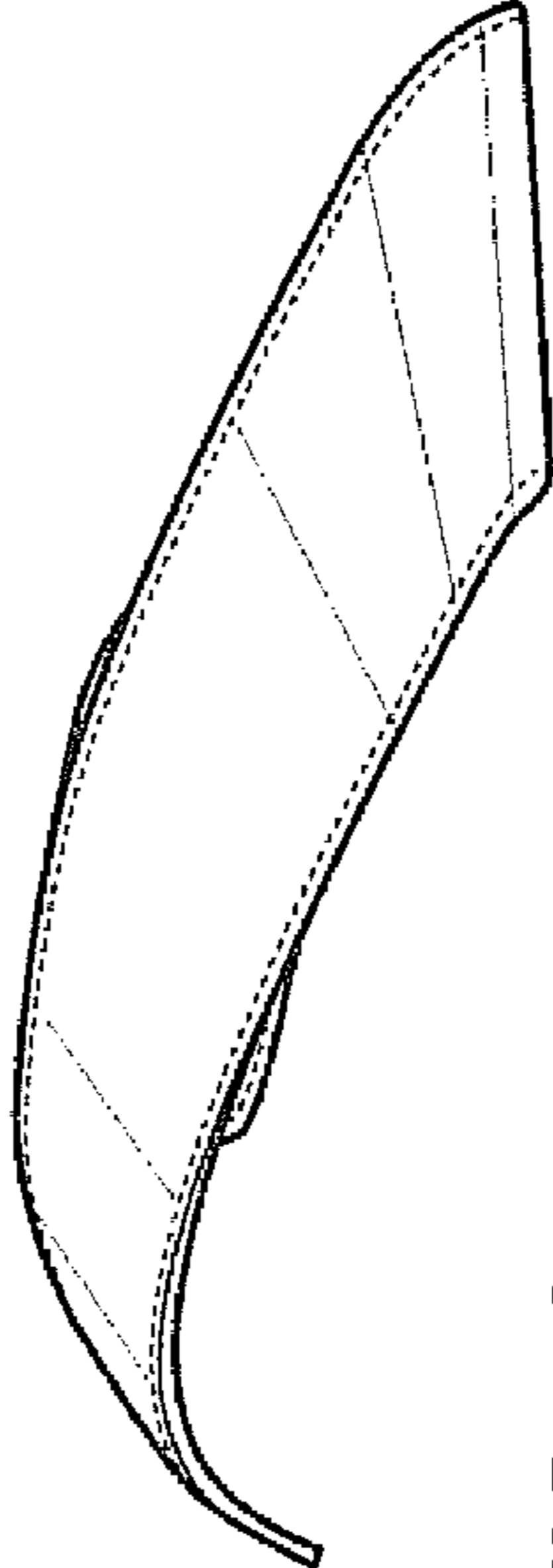


FIG - 2

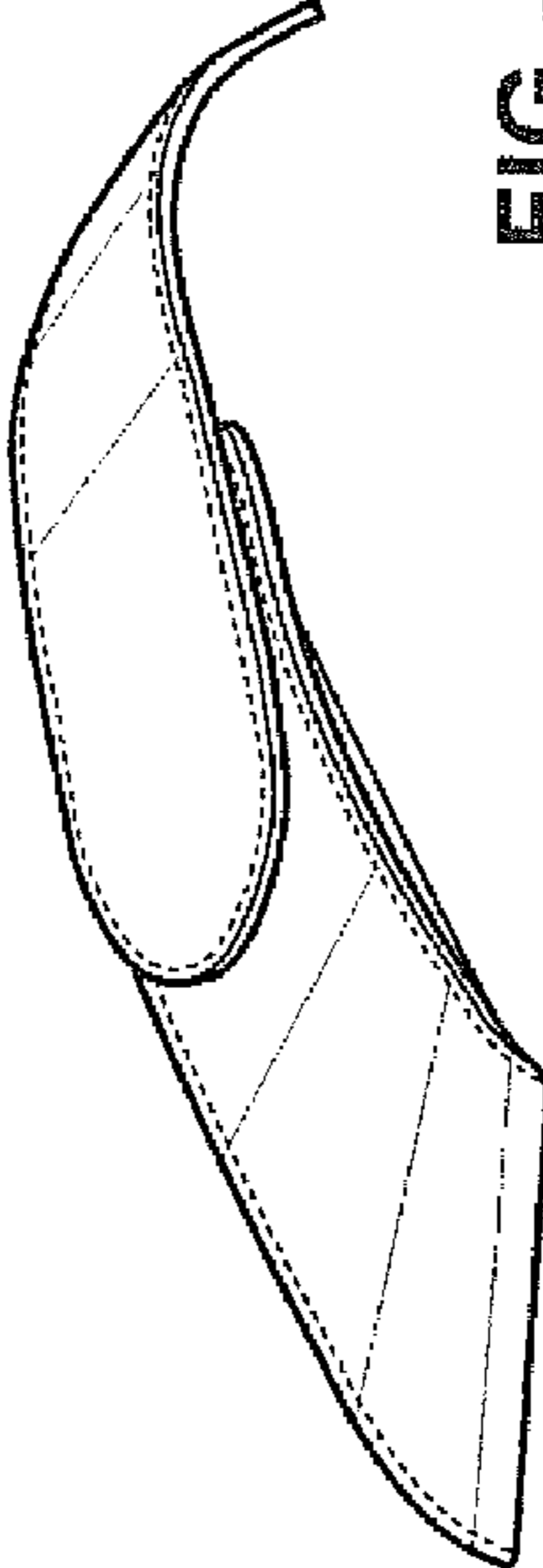


FIG - 3

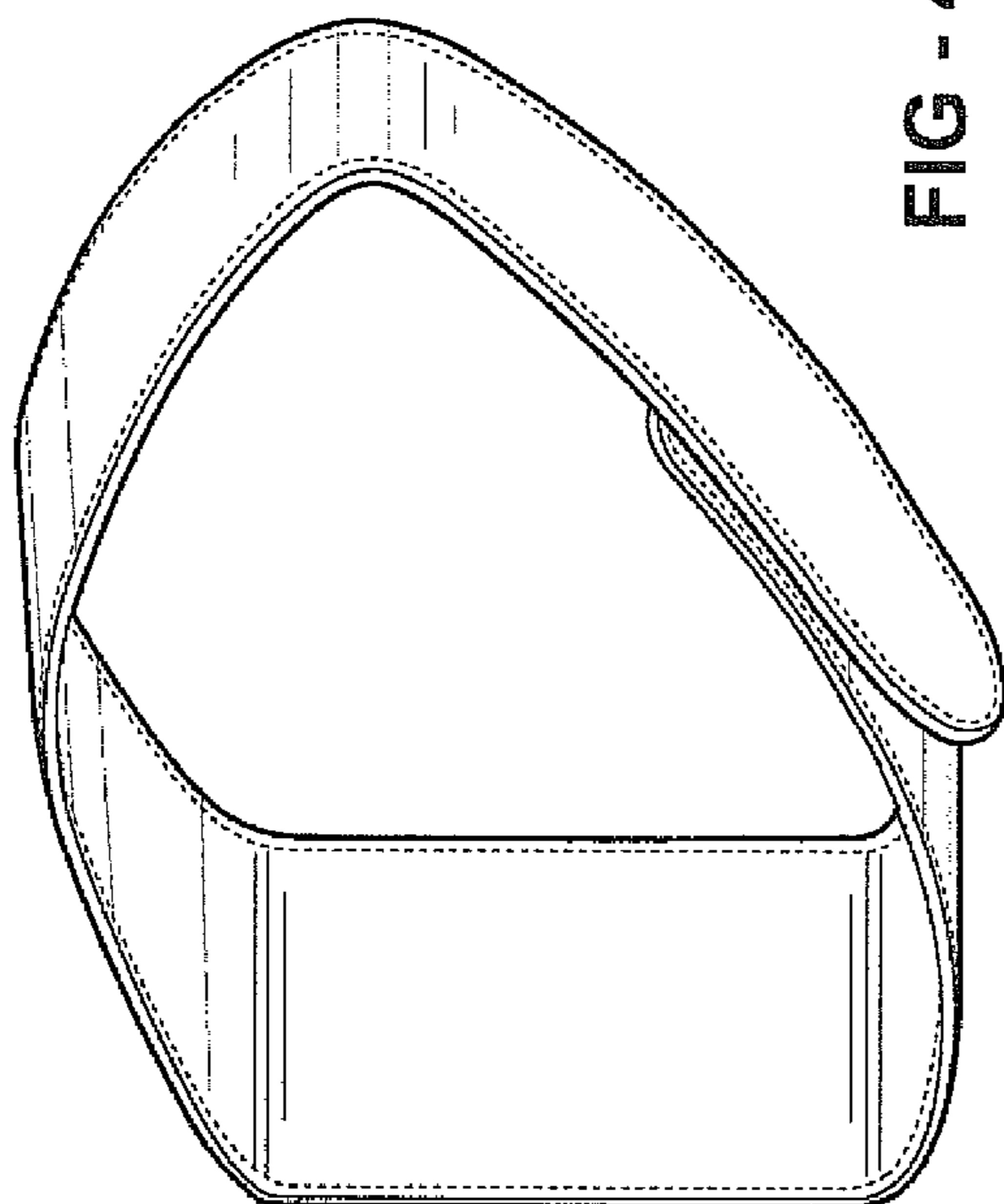


FIG - 4

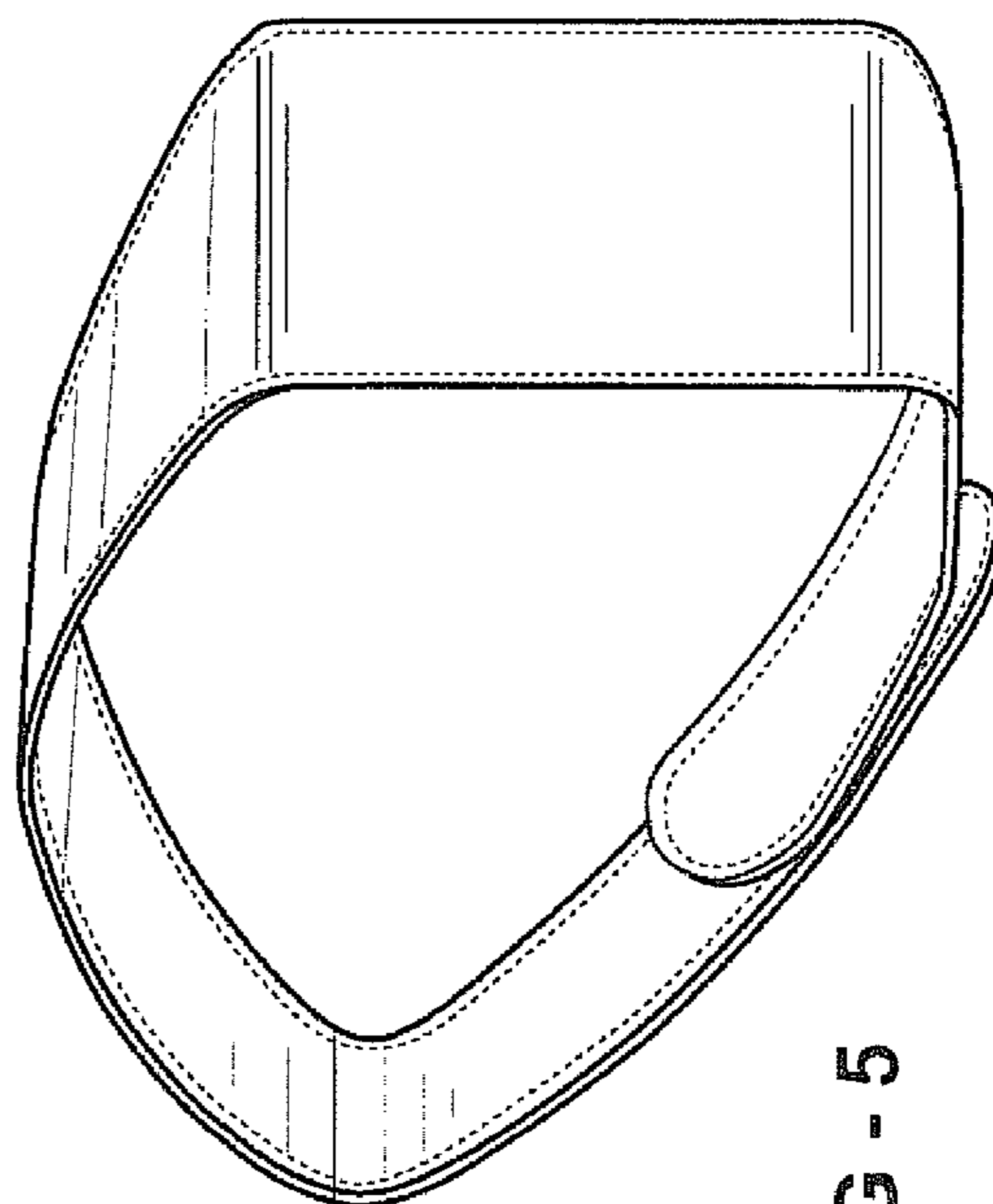


FIG - 5

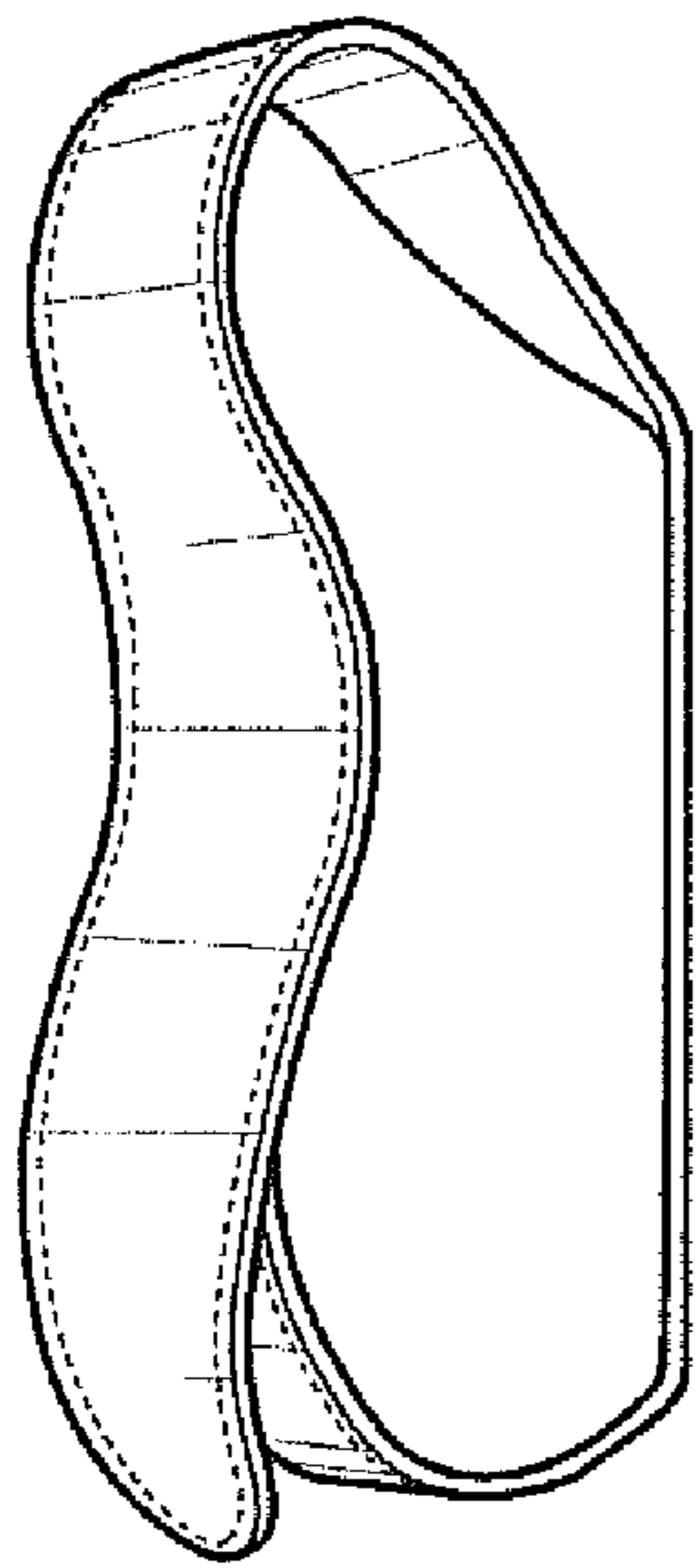


FIG - 6

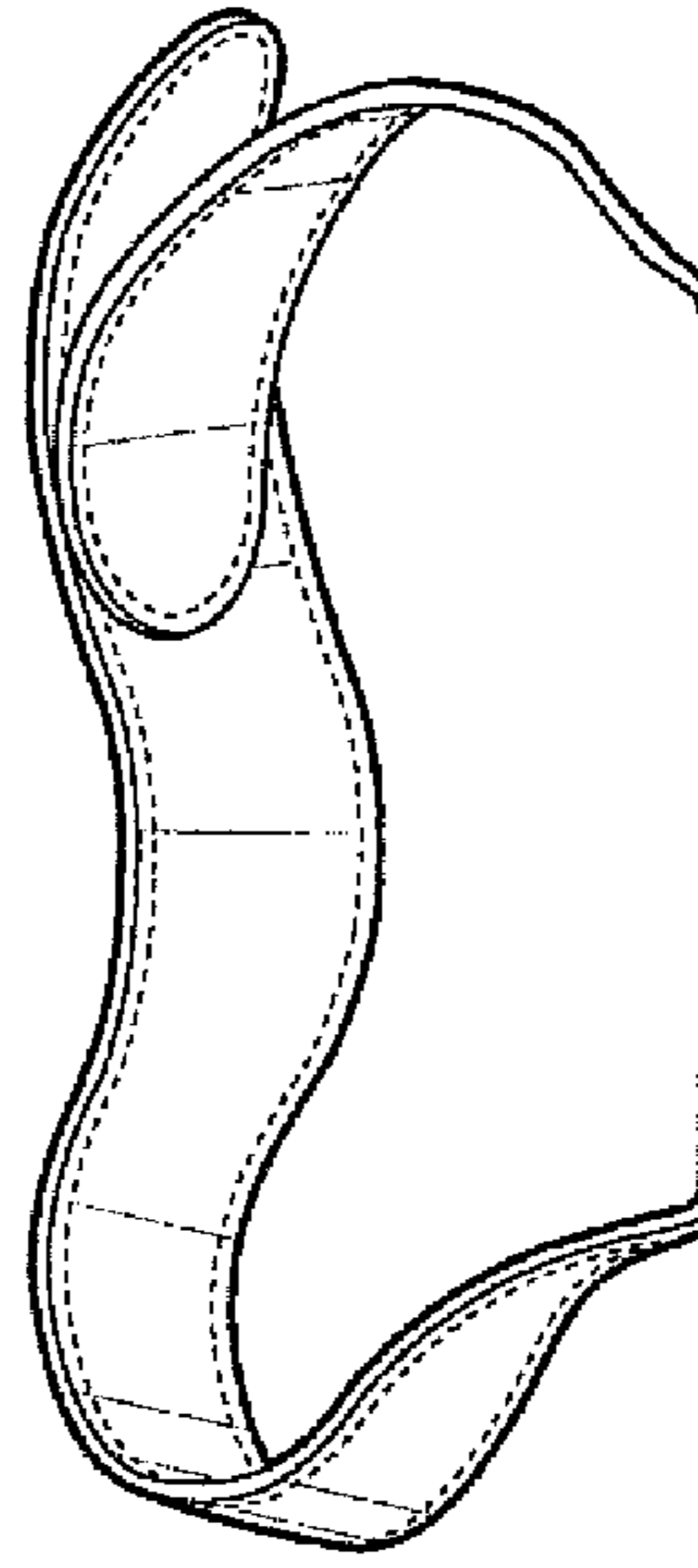


FIG - 7