



US00D613479S

(12) **United States Design Patent**
Farmer

(10) **Patent No.:** **US D613,479 S**
(45) **Date of Patent:** **** Apr. 13, 2010**

(54) **GARMENT ADJUSTER**

(76) Inventor: **Elizabeth Farmer**, 4907 Bayshore Blvd., #102, Tampa, FL (US) 33611

(**) Term: **14 Years**

(21) Appl. No.: **29/336,319**

(22) Filed: **Apr. 30, 2009**

(51) **LOC (9) Cl.** **02-02**

(52) **U.S. Cl.** **D2/853**

(58) **Field of Classification Search** D2/853,
D2/859, 999; 2/255, 266, 323, 325, 329,
2/338; 450/131-136, 143

See application file for complete search history.

(56) **References Cited**

U.S. PATENT DOCUMENTS

494,064	A *	3/1893	Johnston	2/260.1
1,421,690	A *	7/1922	Howard	2/321
1,540,003	A *	6/1925	Haller	2/309
2,056,742	A *	10/1936	Sarachek	450/143
2,382,907	A *	8/1945	Persin	2/124
3,032,775	A *	5/1962	Robitaille et al.	2/255
D292,440	S *	10/1987	Landreth	D2/853
4,920,579	A *	5/1990	Swain	2/145
6,182,292	B1 *	2/2001	Knoll	2/115
6,339,848	B1 *	1/2002	Mayhood et al.	2/338
D490,215	S *	5/2004	Gonzales	D2/853

* cited by examiner

Primary Examiner—Ian Simmons

Assistant Examiner—R. Johnson

(74) *Attorney, Agent, or Firm*—McHale & Slavin, P.A.

(57) **CLAIM**

The ornamental design for a garment adjuster, as shown and described.

DESCRIPTION

FIG. 1 is a top perspective view of the garment adjuster of the instant invention;

FIG. 2 is a left side view thereof;

FIG. 3 is a right side view thereof;

FIG. 4 is a top view thereof;

FIG. 5 is a bottom view thereof;

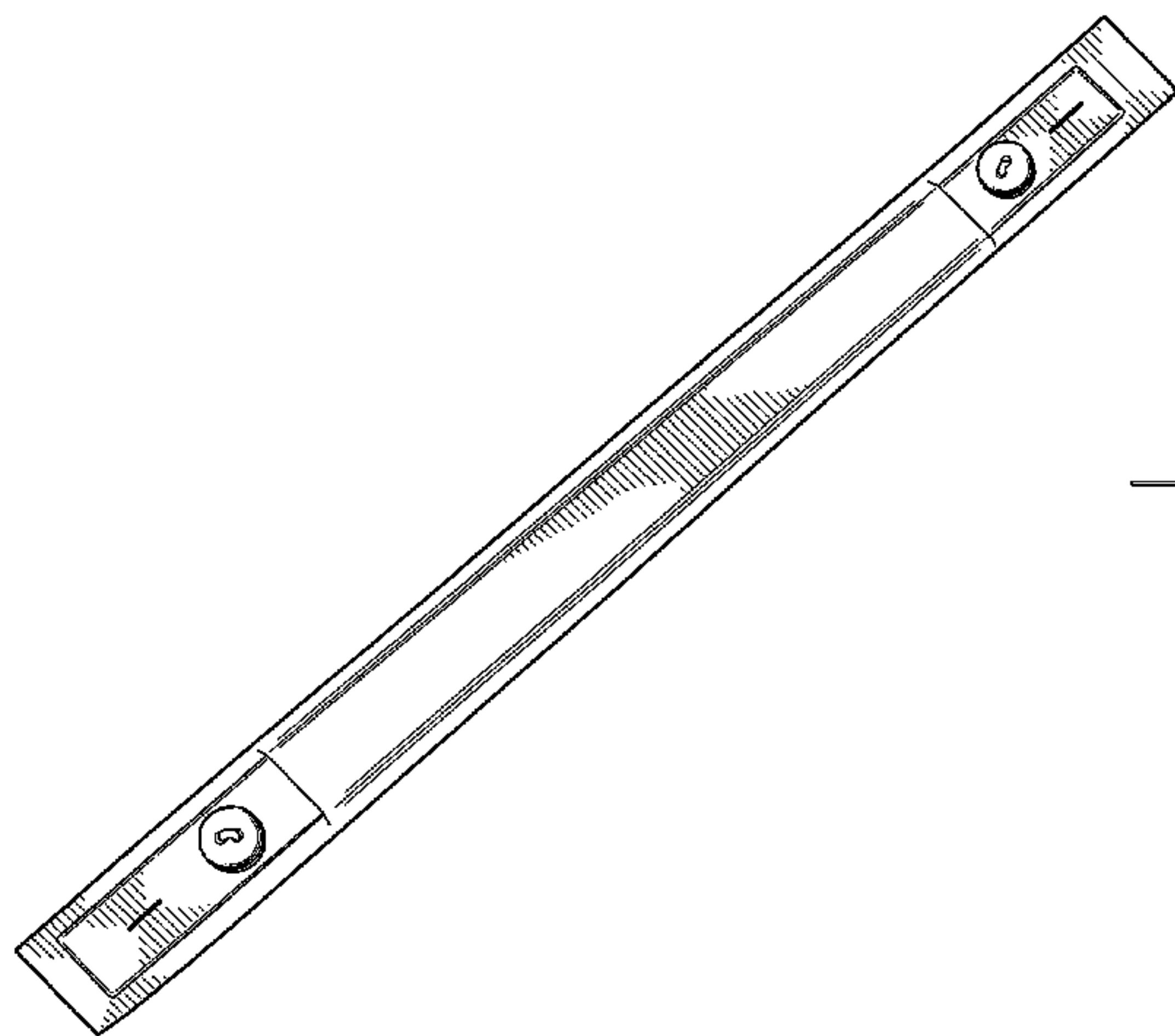
FIG. 6 is a right side view thereof;

FIG. 7 is a left side view thereof; and,

FIG. 8 is a front view illustrating the instant invention secured within the waistband of a pair of pants.

The portions of the figures illustrated in broken lines are for illustrative purposes only and form no part of the claimed design.

1 Claim, 5 Drawing Sheets



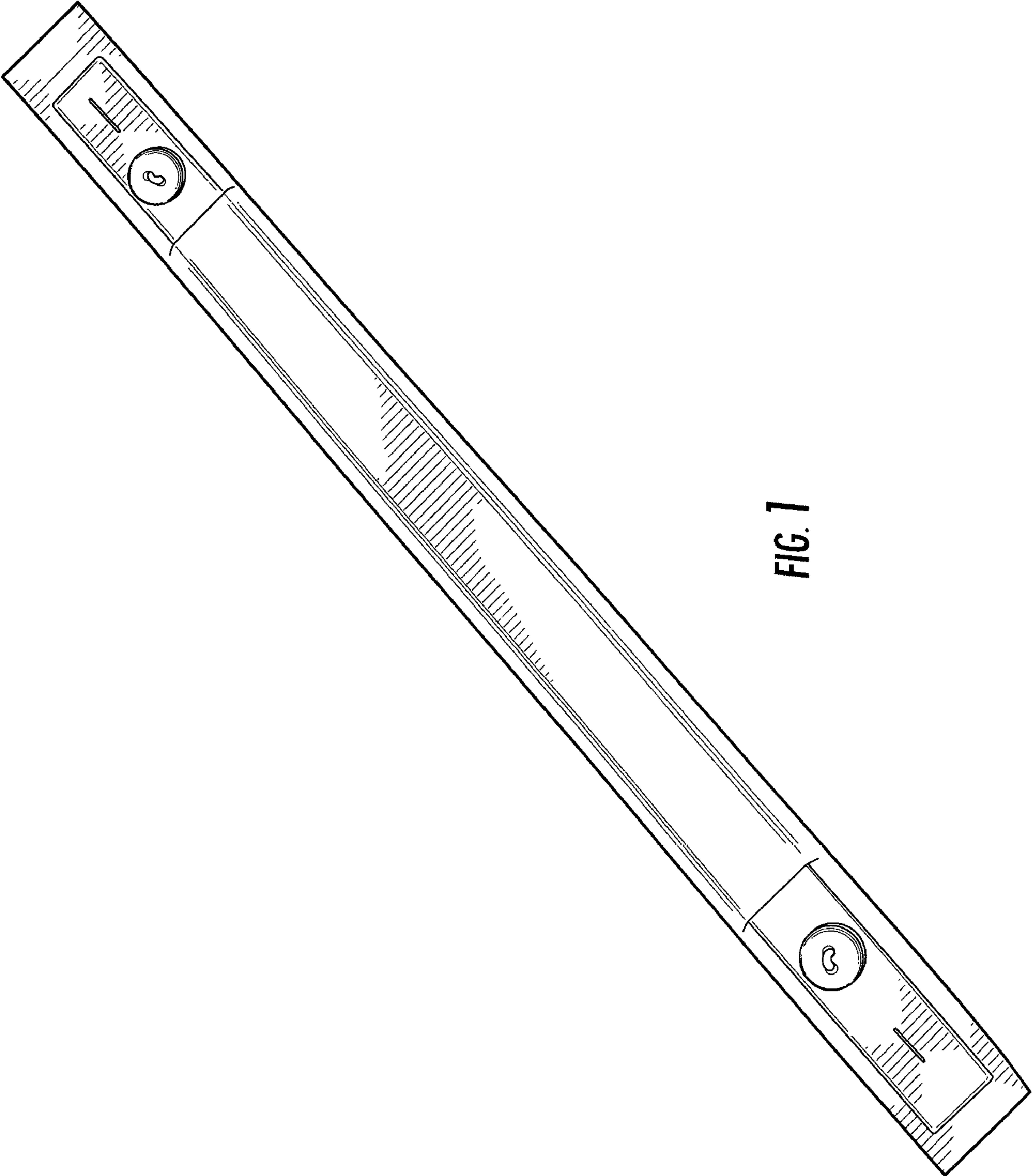


FIG. 1



FIG. 2



FIG. 3

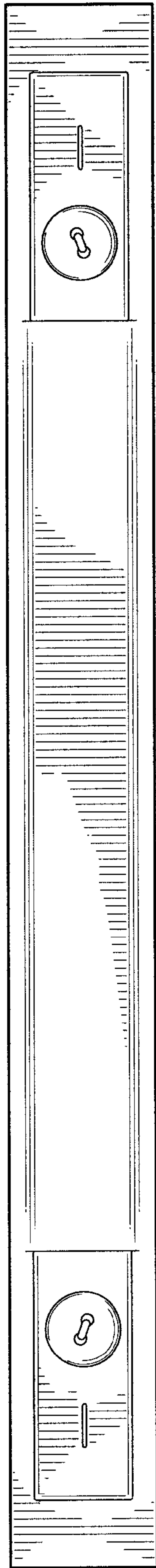


FIG. 4

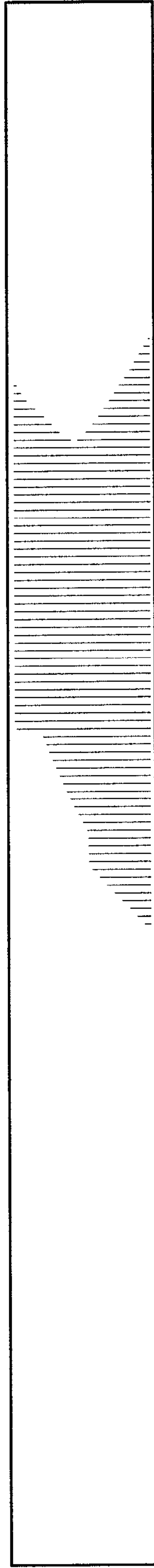


FIG. 5

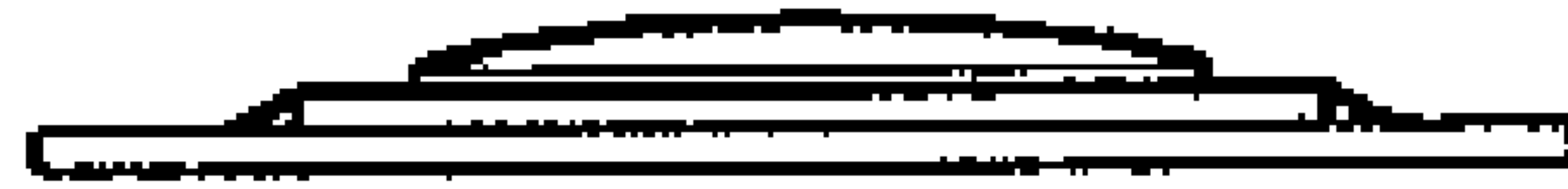


FIG. 6

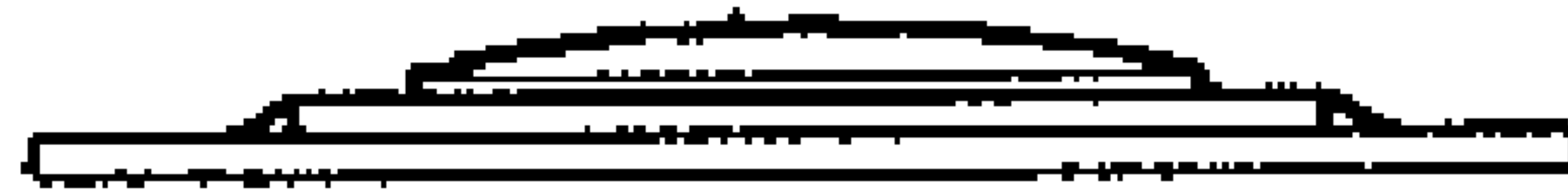


FIG. 7

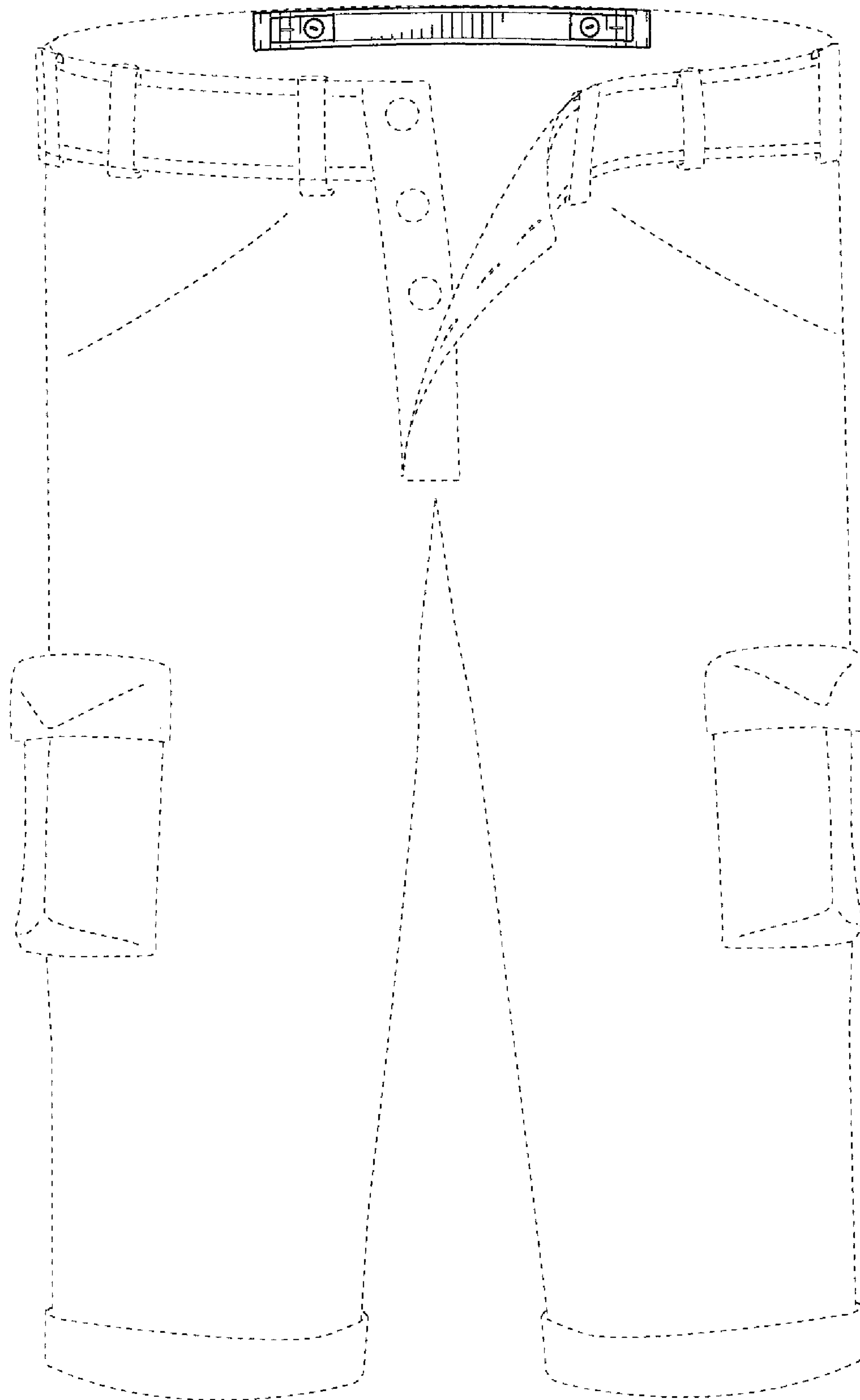


FIG. 8