



US00D613475S

(12) **United States Design Patent**
Parker

(10) **Patent No.:** **US D613,475 S**

(45) **Date of Patent:** **** Apr. 6, 2010**

(54) **CASKET SHELL CORNER**

(75) Inventor: **Daniel J. Parker**, Connerville, IN (US)

(73) Assignee: **Batesville Services, Inc.**, Batesville, IN (US)

(**) Term: **14 Years**

(21) Appl. No.: **29/342,802**

(22) Filed: **Sep. 1, 2009**

Related U.S. Application Data

(62) Division of application No. 29/325,326, filed on Sep. 29, 2008, now Pat. No. Des. 599,525.

(51) **LOC (9) Cl.** **99-00**

(52) **U.S. Cl.** **D99/13**

(58) **Field of Classification Search** D99/1-24;
27/1-8, 14, 27, 30; 52/103, 720; 40/124.5;
256/19, 22, 24, 34, 65, 67, 73; D25/38, 42,
D25/126, 129

See application file for complete search history.

(56) **References Cited**

U.S. PATENT DOCUMENTS

- D418,961 S * 1/2000 Biondo et al. D99/3
- D433,585 S * 11/2000 Bowers et al. D6/476
- 7,200,905 B2 * 4/2007 Cunningham et al. 27/2
- 7,340,810 B2 * 3/2008 Acton et al. 27/10

* cited by examiner

Primary Examiner—T. Chase Nelson

Assistant Examiner—Michael A Pratt

(74) *Attorney, Agent, or Firm*—Wood, Herron & Evans, LLP

(57) **CLAIM**

The ornamental design for a casket shell corner, as shown and described.

DESCRIPTION

FIG. 1 is a perspective view of a of my new, original and ornamental design for a casket shell corner;

FIG. 2 is an enlarged perspective view thereof;

FIG. 3 is a front view thereof;

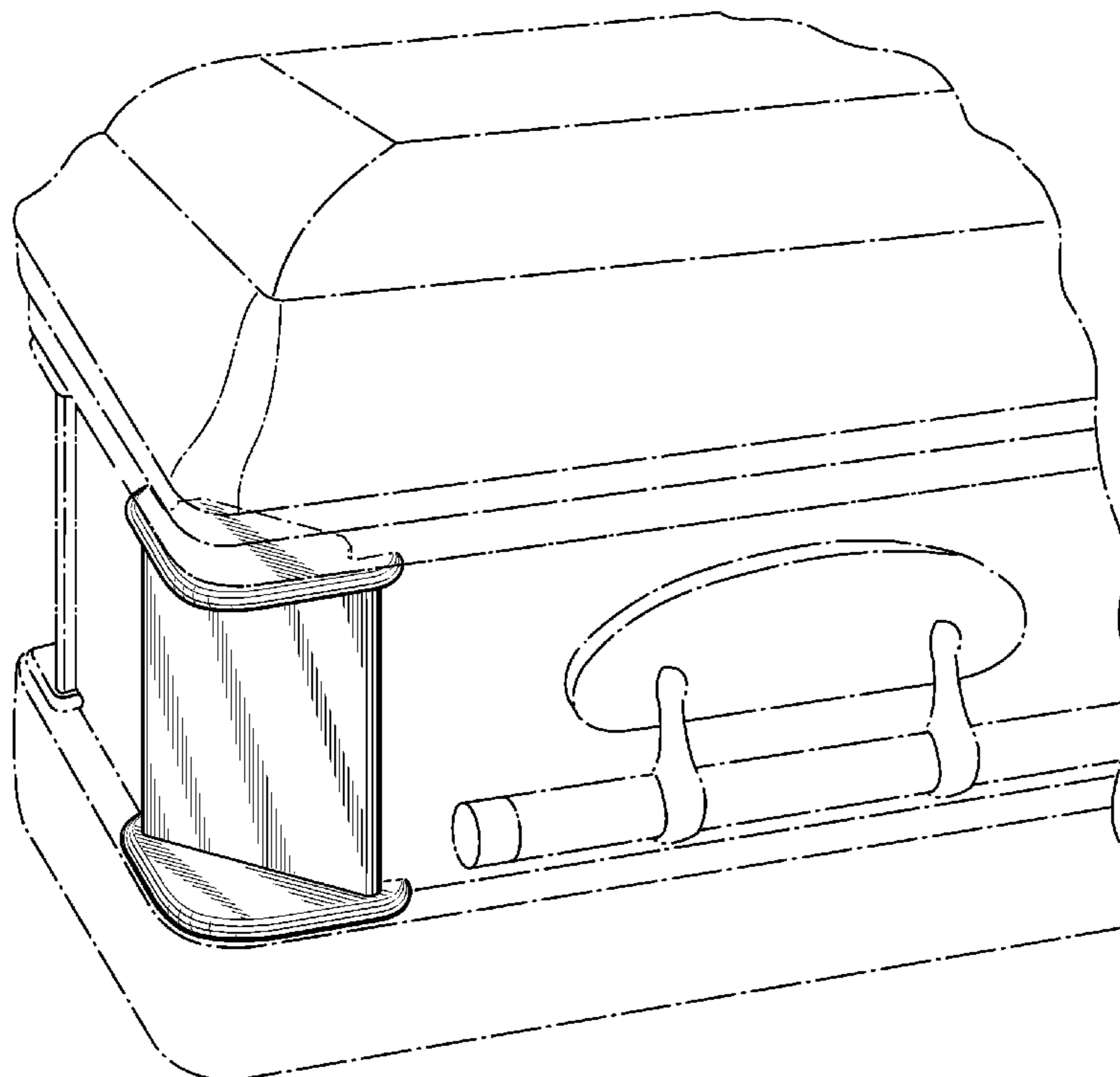
FIG. 4 is a side view thereof, the other side view being a mirror image of

FIG. 5 is a top view thereof; and,

FIG. 6 is a bottom view thereof.

The broken line showing of the upper flat surface of the casket shell corner shown in FIGS. 1, 2 and 5 and the remainder of the casket in FIG. 1 is included for the purpose of illustrating environment and forms no part of the claimed design. The broken line adjacent to the shaded portion of the casket shell corner forms an unclaimed boundary of the design. The undisclosed portion of the casket shell corner forms no part of the claimed design.

1 Claim, 3 Drawing Sheets



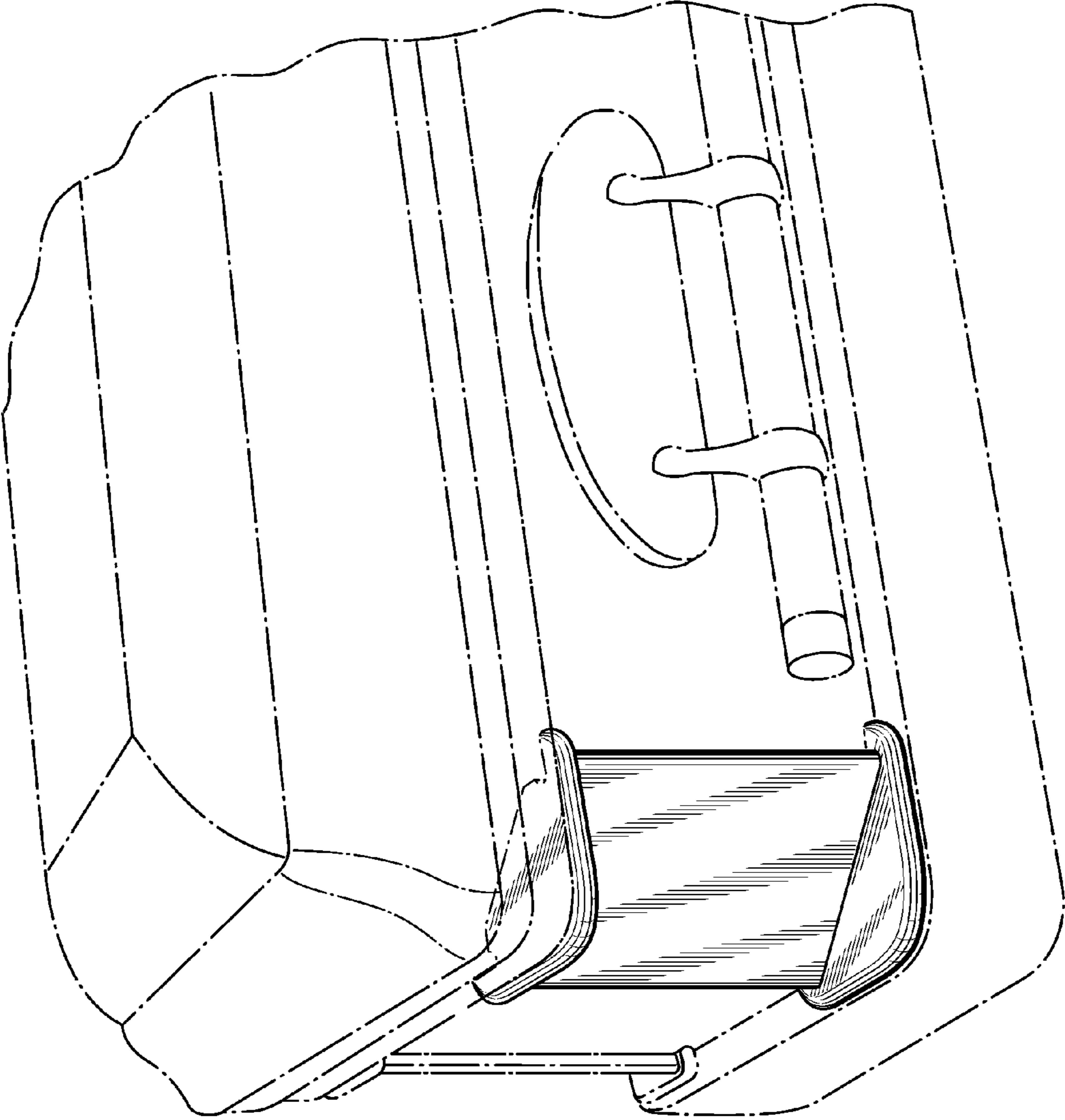


FIG. 1

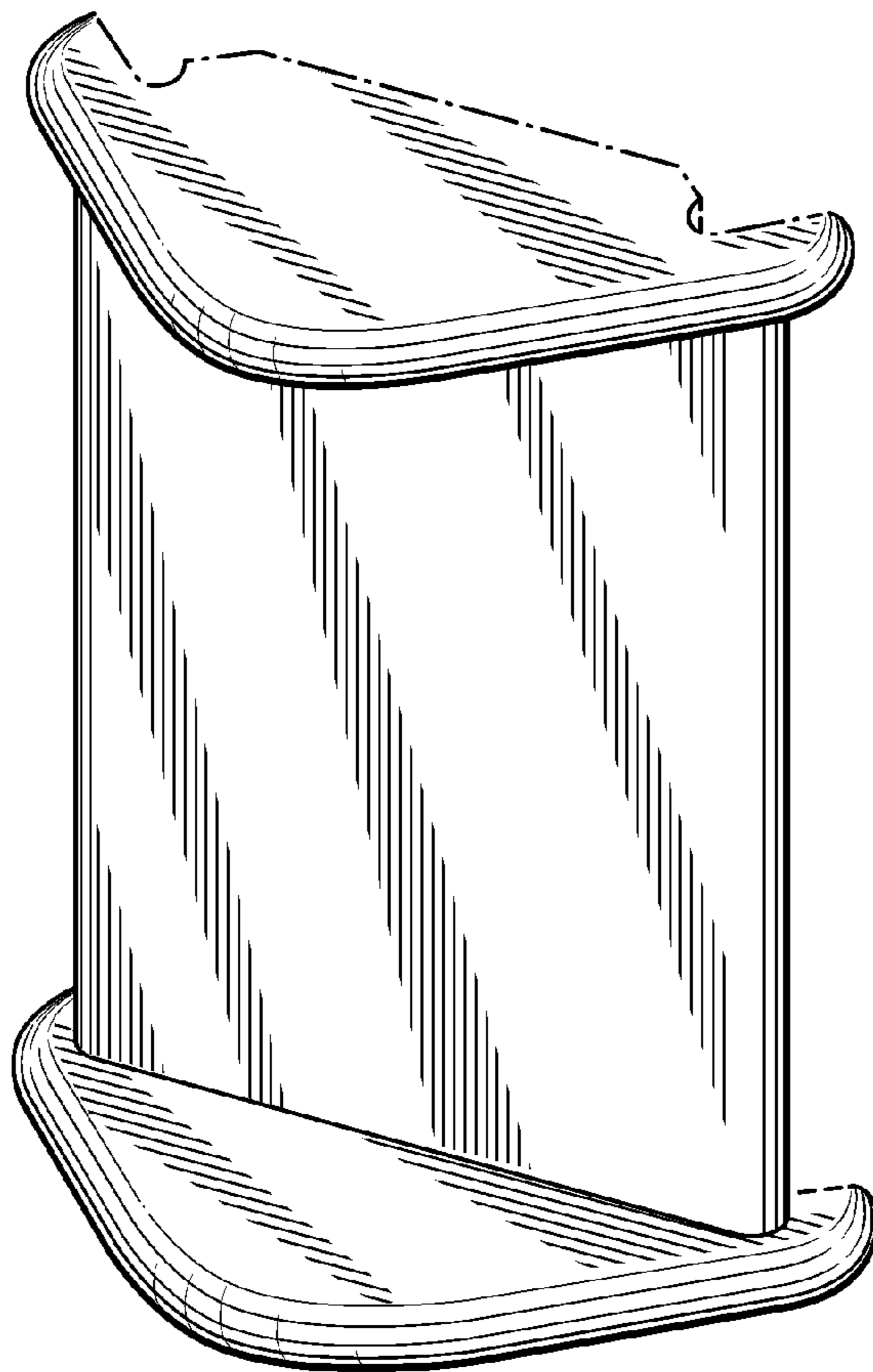


FIG. 2

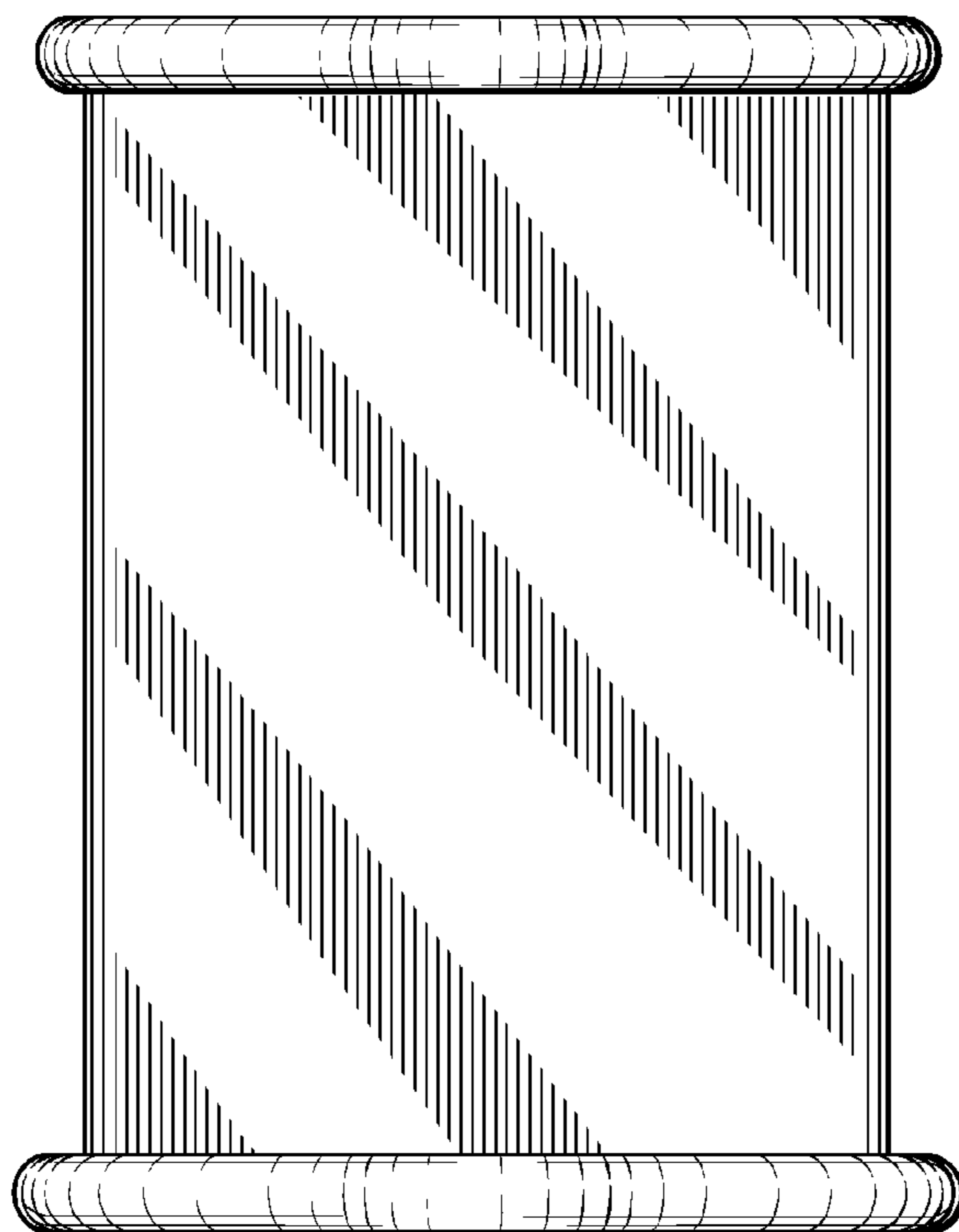


FIG. 3

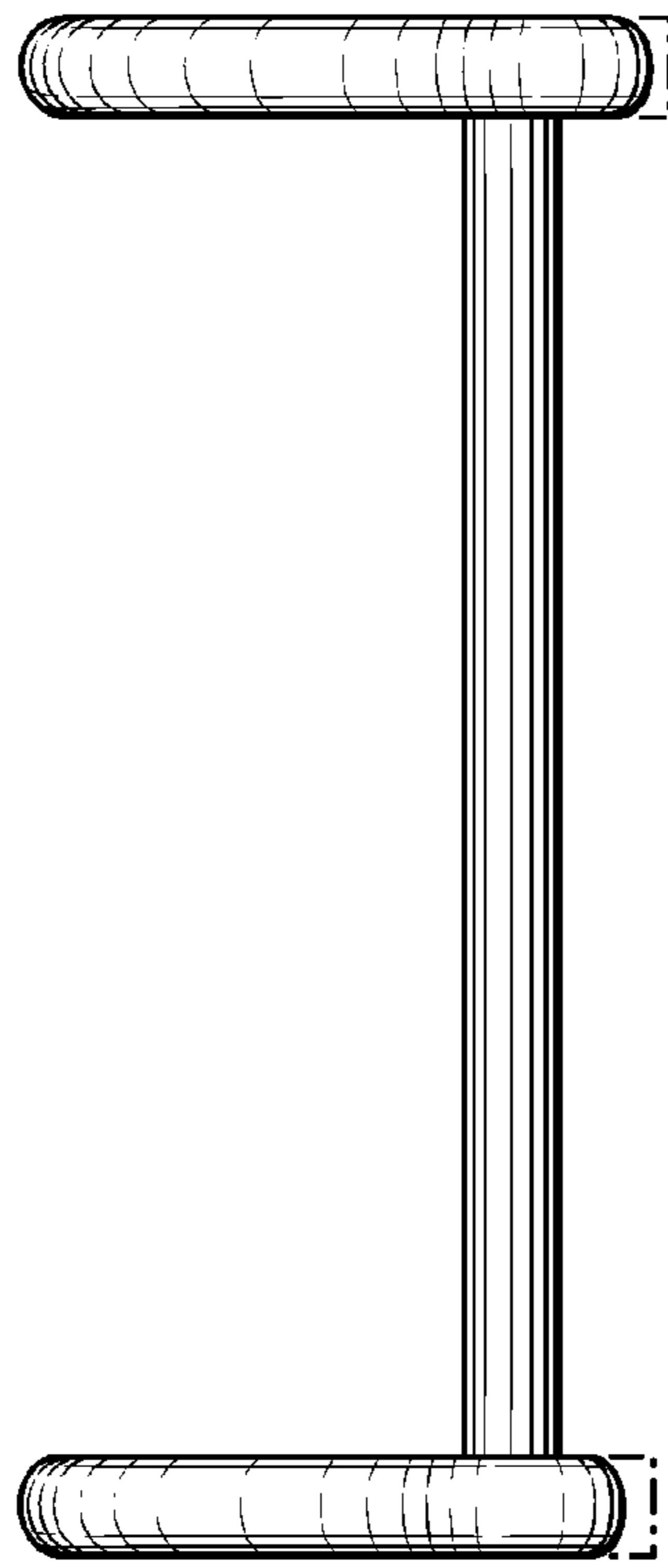


FIG. 4

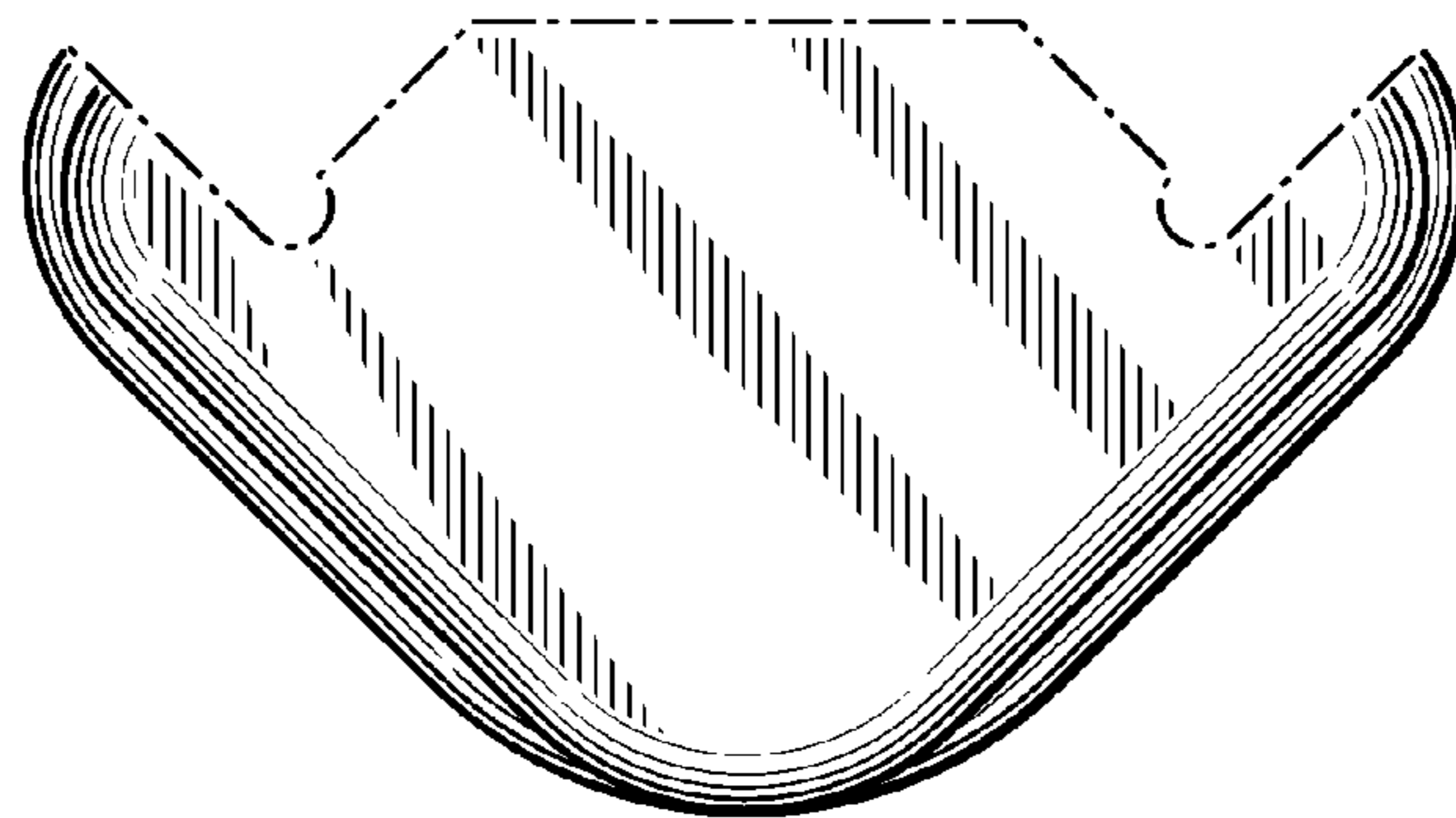


FIG. 5

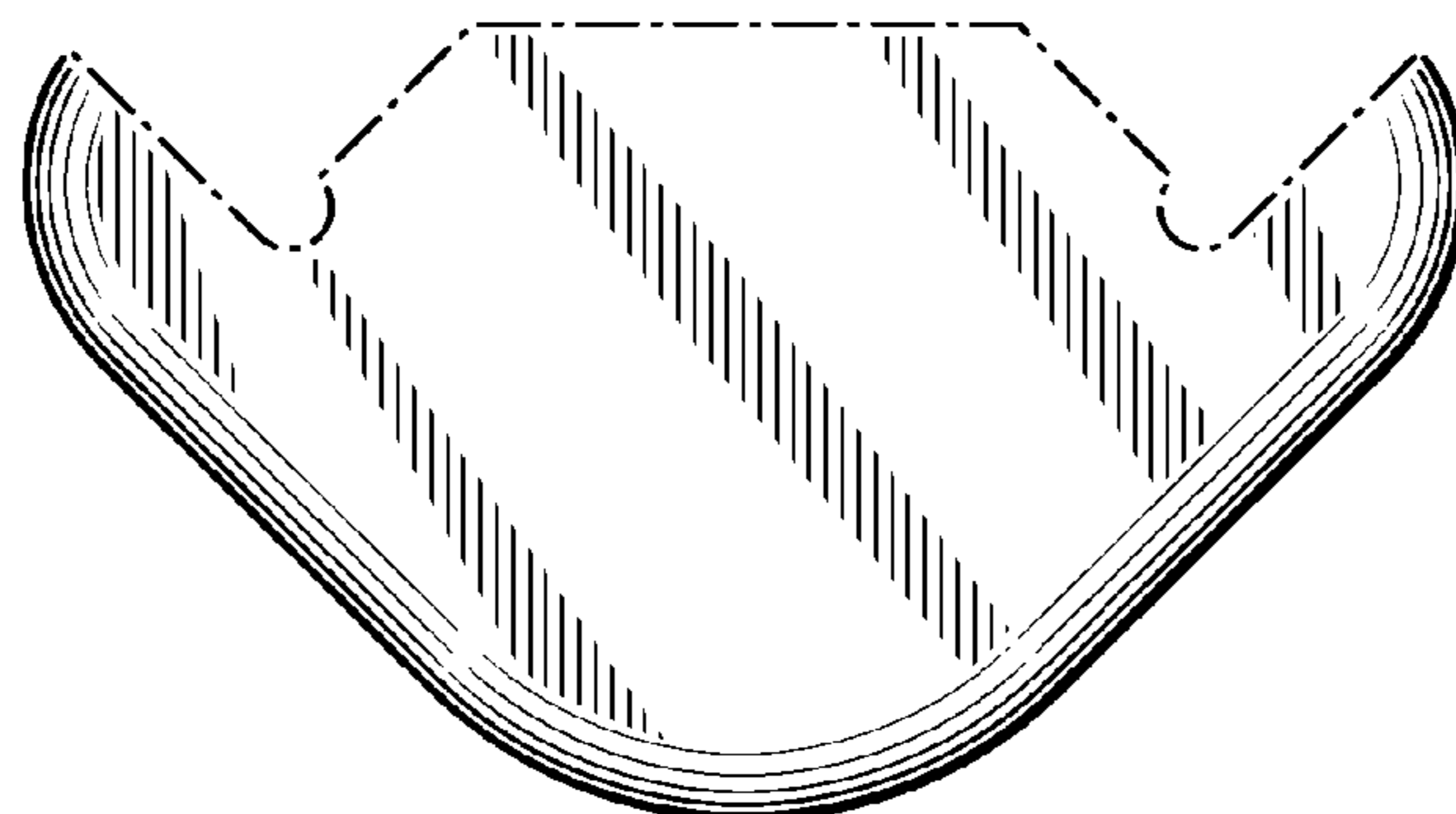


FIG. 6

UNITED STATES PATENT AND TRADEMARK OFFICE
CERTIFICATE OF CORRECTION

PATENT NO. : Des. 613,475 S
APPLICATION NO. : 29/342802
DATED : April 6, 2010
INVENTOR(S) : Daniel J. Parker

Page 1 of 1

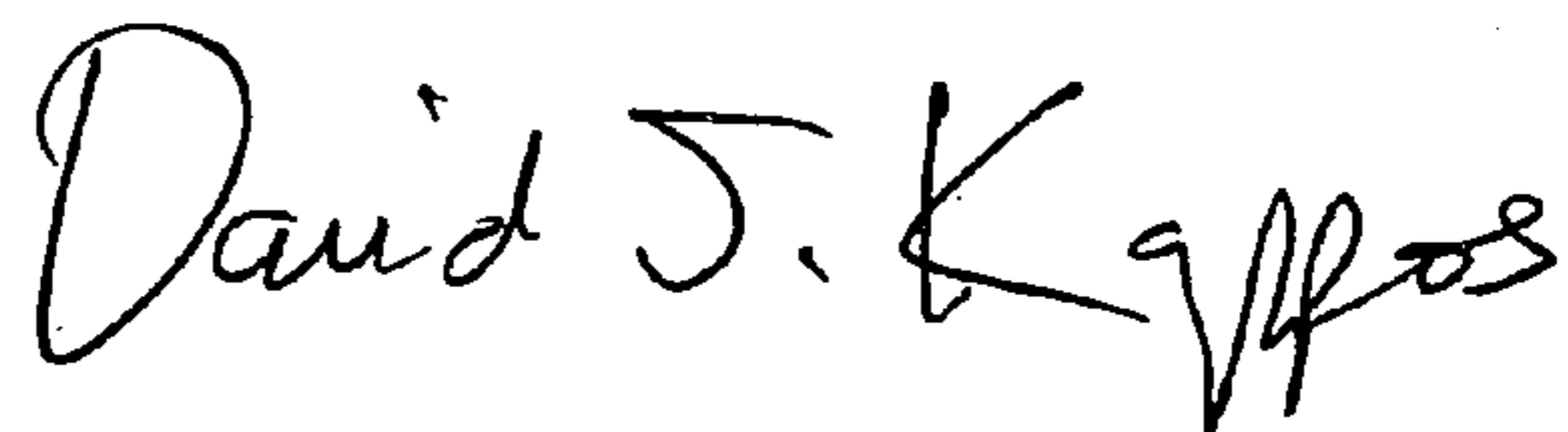
It is certified that error appears in the above-identified patent and that said Letters Patent is hereby corrected as shown below:

On the Title Pg, Description Section, line 1, reads: "FIG. 1 is a perspective view of a of my new, original and"; it should read: -- FIG. 1 is a perspective view of my new, original and --.

On the Title Pg, Description Section, lines 5-6, read: "FIG. 4 is a side view thereof, the other side view being a mirror image of"; it should read: -- FIG. 4 is a side view thereof, the other side view being a mirror image of Fig. 4. --.

Signed and Sealed this

Twenty-eighth Day of September, 2010



David J. Kappos
Director of the United States Patent and Trademark Office

UNITED STATES PATENT AND TRADEMARK OFFICE
CERTIFICATE OF CORRECTION

PATENT NO. : D613,475 S
APPLICATION NO. : 29/342802
DATED : September 1, 2009
INVENTOR(S) : Daniel J. Parker

Page 1 of 1

It is certified that error appears in the above-identified patent and that said Letters Patent is hereby corrected as shown below:

Title Page, column 2, Description, lines 9-12 read “The broken line showing of the upper flat surface of the casket shell corner shown in FIGS. 1, 2 and 5 and the remainder of the casket in FIG. 1 is included for the purpose of illustrating environment and forms no part of the claimed design. The lines 9-12 should read -- The broken line showing of the remainder of the casket is included for the purpose of illustrating environment and forms no part of the claimed design. The --

Signed and Sealed this
Third Day of May, 2011

A handwritten signature in black ink that reads "David J. Kappos". The signature is written in a cursive, slightly slanted style.

David J. Kappos
Director of the United States Patent and Trademark Office