



US00D613473S

(12) **United States Design Patent**  
**Pierce**

(10) **Patent No.:** **US D613,473 S**

(45) **Date of Patent:** **\*\* Apr. 6, 2010**

(54) **BOTTLE LABEL REMOVAL APPARATUS**

(75) Inventor: **Javin Pierce**, Stowe, VT (US)

(73) Assignee: **Elizabeth Hinckley Foregger**,  
Waterbury, VT (US)

(\*\*) Term: **14 Years**

(21) Appl. No.: **29/281,964**

(22) Filed: **Jul. 8, 2007**

(51) **LOC (9) Cl.** ..... **08-05**

(52) **U.S. Cl.** ..... **D32/46**

(58) **Field of Classification Search** ..... D32/40,  
D32/46, 41, 47, 49; 15/236.01, 236.02, 236.05,  
15/236.06, 236.08; 30/169, 164.9, 172; D8/45  
See application file for complete search history.

(56) **References Cited**

U.S. PATENT DOCUMENTS

D23,068 S \* 2/1894 Leggett ..... D32/46  
1,704,329 A \* 3/1929 Klaus ..... 15/236.07

1,872,887 A \* 8/1932 Casse ..... 30/169  
2,568,012 A \* 9/1951 Le Boeuf ..... 15/236.08  
D320,483 S \* 10/1991 Desautel ..... D32/46  
D349,592 S \* 8/1994 Stoll ..... D32/46  
D383,267 S \* 9/1997 Emmerth ..... D32/46  
7,174,599 B2 \* 2/2007 Stiles ..... 15/257.01  
D569,566 S \* 5/2008 Pfitzinger ..... D32/46  
2005/0193516 A1 \* 9/2005 Hughes ..... 15/236.01

\* cited by examiner

*Primary Examiner*—Cynthia E Ramirez

(57) **CLAIM**

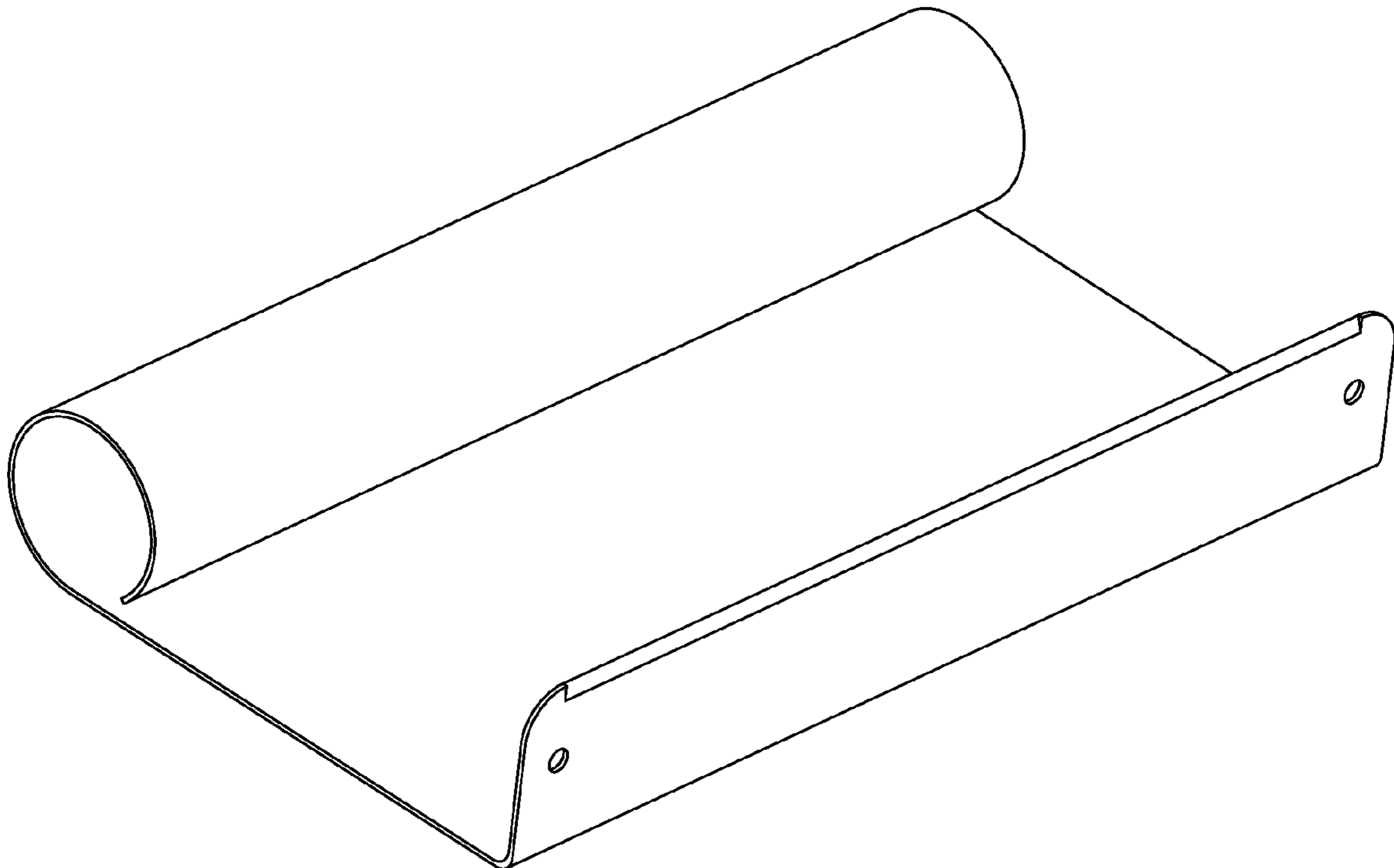
The ornamental design for a bottle label removal apparatus, as shown.

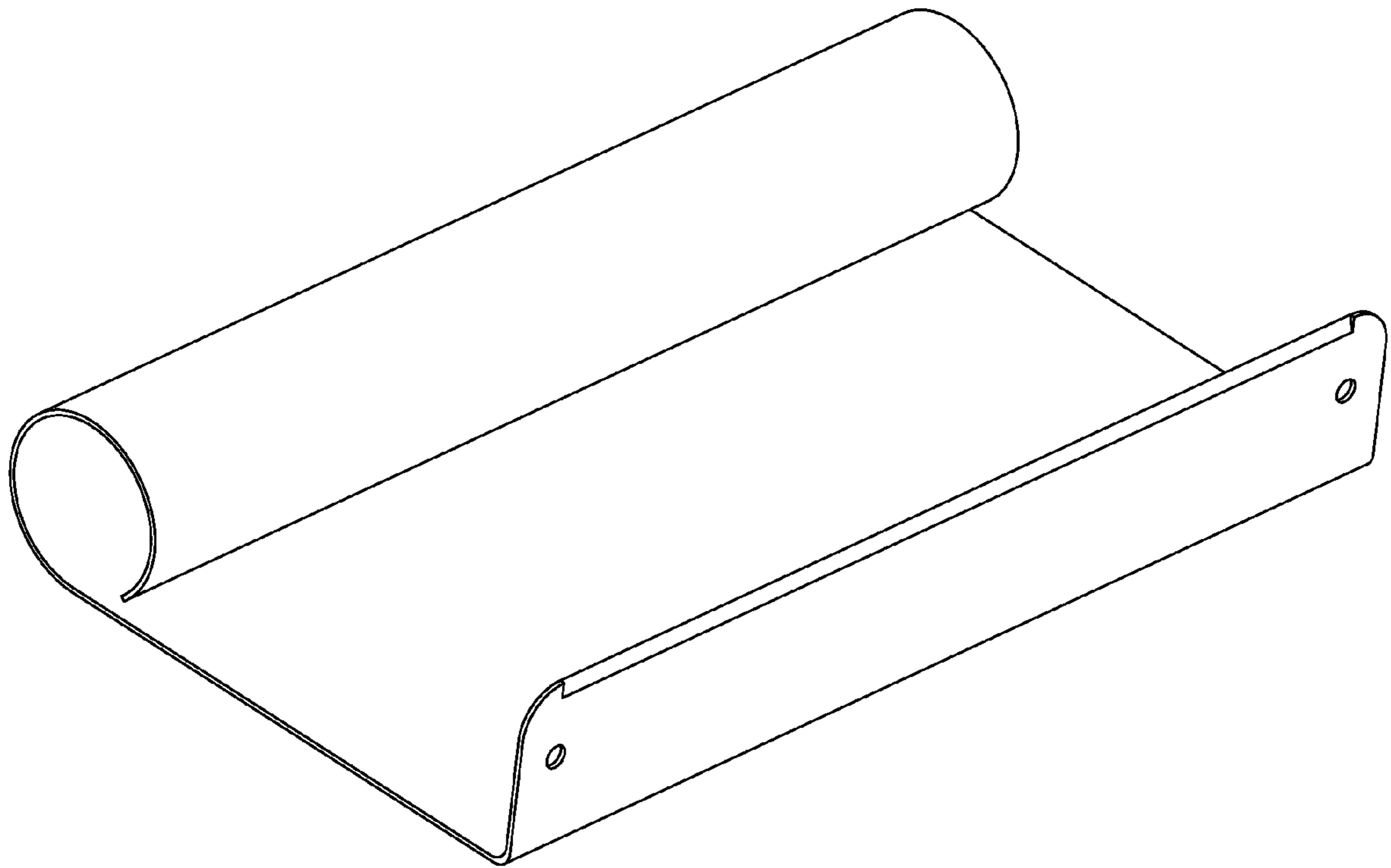
**DESCRIPTION**

FIG. 1 is a perspective view of a bottle label removal apparatus showing my new design; and,

FIG. 2 is a side view thereof, with both sides being the same.

**1 Claim, 2 Drawing Sheets**





*Fig. 1*



*Fig. 2*