



US00D613472S

(12) **United States Design Patent**
Mayer et al.

(10) **Patent No.:** **US D613,472 S**

(45) **Date of Patent:** **** Apr. 6, 2010**

(54) **COMBINED SQUEEGEE AND SUPPORT FRAME**

(75) Inventors: **Heinrich-Tito Mayer**, Jonschwil (CH);
Franz Oberhaensli, Mosnang (CH)

(73) Assignee: **JohnsonDiversey, Inc.**, Sturtevant, WI (US)

(**) Term: **14 Years**

(21) Appl. No.: **29/253,054**

(22) Filed: **Feb. 1, 2006**

(51) **LOC (9) Cl.** **04-01**

(52) **U.S. Cl.** **D32/41**

(58) **Field of Classification Search** D32/41;
D12/219; 15/401, 236.01–236.02, 340.1,
15/220.1, 245.1, 150.12, 250.04, 250.451–250.458,
15/250.48, 250.4, 250.07, 250.351, 250.44
See application file for complete search history.

(56) **References Cited**

U.S. PATENT DOCUMENTS

851,173	A	4/1907	Keys	
3,290,716	A	12/1966	Cain	
3,496,591	A	2/1970	Sheler	
4,339,841	A	7/1982	Waldhauser et al.	
D296,317	S *	6/1988	Mower et al.	D12/219

(Continued)

FOREIGN PATENT DOCUMENTS

DE 197 19 495 A1 11/1997

(Continued)

OTHER PUBLICATIONS

International Search Report from the European Patent Office.

Primary Examiner—Cathron C Brooks

Assistant Examiner—Austin Murphy

(74) *Attorney, Agent, or Firm*—Gregory S. Bollis

(57) **CLAIM**

We claim the ornamental design for a combined squeegee and support frame, as shown and described.

DESCRIPTION

FIG. 1 is a bottom perspective view of a squeegee assembly embodying aspects of the invention.

FIG. 2 is a top perspective view of the squeegee assembly shown in FIG. 1.

FIG. 3 is a top view of the squeegee assembly shown in FIG. 1.

FIG. 4 is a front view of a squeegee assembly shown in FIG. 1.

FIG. 5 is a bottom view of the squeegee assembly shown in FIG. 1.

FIG. 6 is a rear view of the squeegee assembly shown in FIG. 1.

FIG. 7 is a right side view of the squeegee assembly shown in FIG. 1.

FIG. 8 is a left side view of the squeegee assembly shown in FIG. 4.

FIG. 15 is a top perspective view of a squeegee support frame embodying aspects of the invention.

FIG. 16 is a bottom perspective view of the squeegee support frame shown in FIG. 15.

FIG. 17 is a front view of the squeegee support frame shown in FIG. 15.

FIG. 18 is a bottom view of the squeegee support frame shown in FIG. 15.

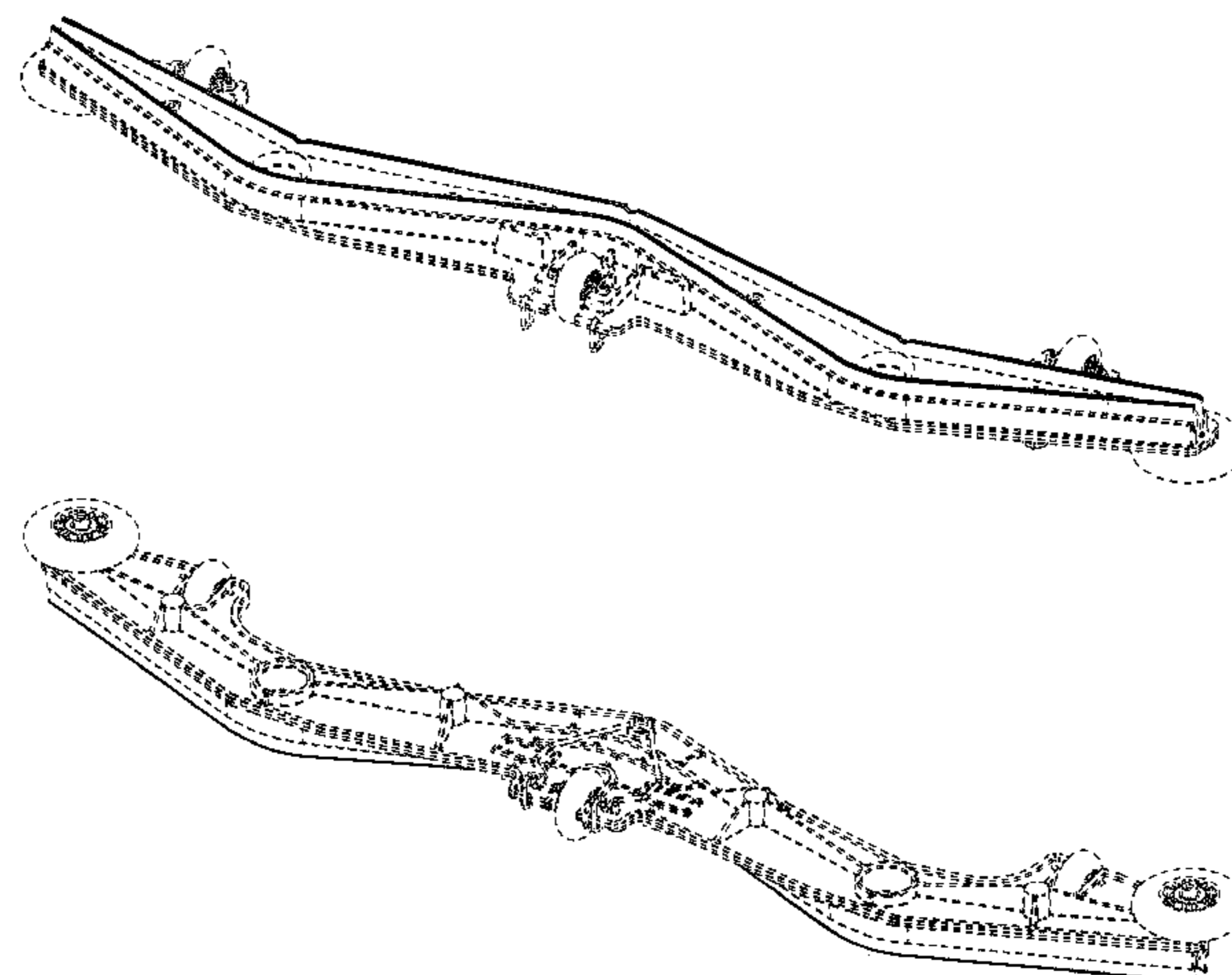
FIG. 19 is a rear view of the squeegee support frame shown in FIG. 15.

FIG. 20 is a right side view of the squeegee support frame shown in FIG. 15; and,

FIG. 21 is a left side view of the squeegee support frame shown in FIG. 15.

The broken lines shown in the drawings depict unclaimed portions of the article and form no part of the claimed design.

1 Claim, 13 Drawing Sheets



US D613,472 S

Page 2

U.S. PATENT DOCUMENTS

5,212,848 A 5/1993 Geyer 15/401
5,377,382 A 1/1995 Bores et al. 15/340.1
5,455,985 A * 10/1995 Hamline et al. 15/401
5,517,717 A 5/1996 Häberli 15/401
5,579,555 A 12/1996 Pearse
D380,434 S * 7/1997 Chen D12/219
D380,435 S * 7/1997 Chen D12/219
D388,568 S * 12/1997 Leonard et al. D32/41
6,088,871 A 7/2000 Kobayashi 15/220.1
6,243,911 B1 * 6/2001 Varner 15/245
D490,763 S * 6/2004 Kim D12/219
6,895,633 B2 * 5/2005 Tucker 15/401
2002/0050023 A1 5/2002 Stuchlik
2004/0261207 A1 12/2004 Gavney

2005/0115015 A1 6/2005 Legatt

FOREIGN PATENT DOCUMENTS

DE 20109267 9/2001
DE 20112322 10/2001
EP 0338 773 B1 11/1994
EP 0569 430 B1 11/1994
EP 0662 301 B1 6/1997
FR 2762 503 A1 4/1997
GB 1175831 12/1969
GB 2408446 6/2005
JP 206263 8/1997
WO 97/21378 6/1996
WO 96/25872 8/1996

* cited by examiner

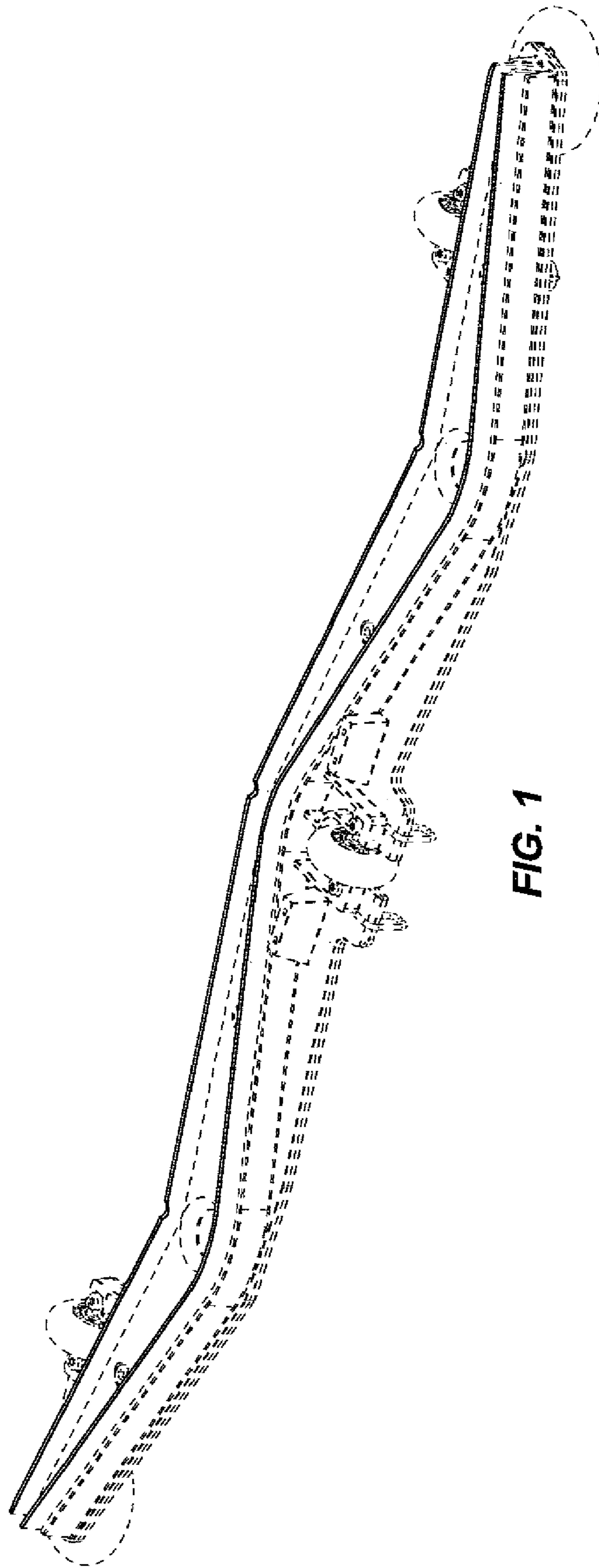


FIG. 1

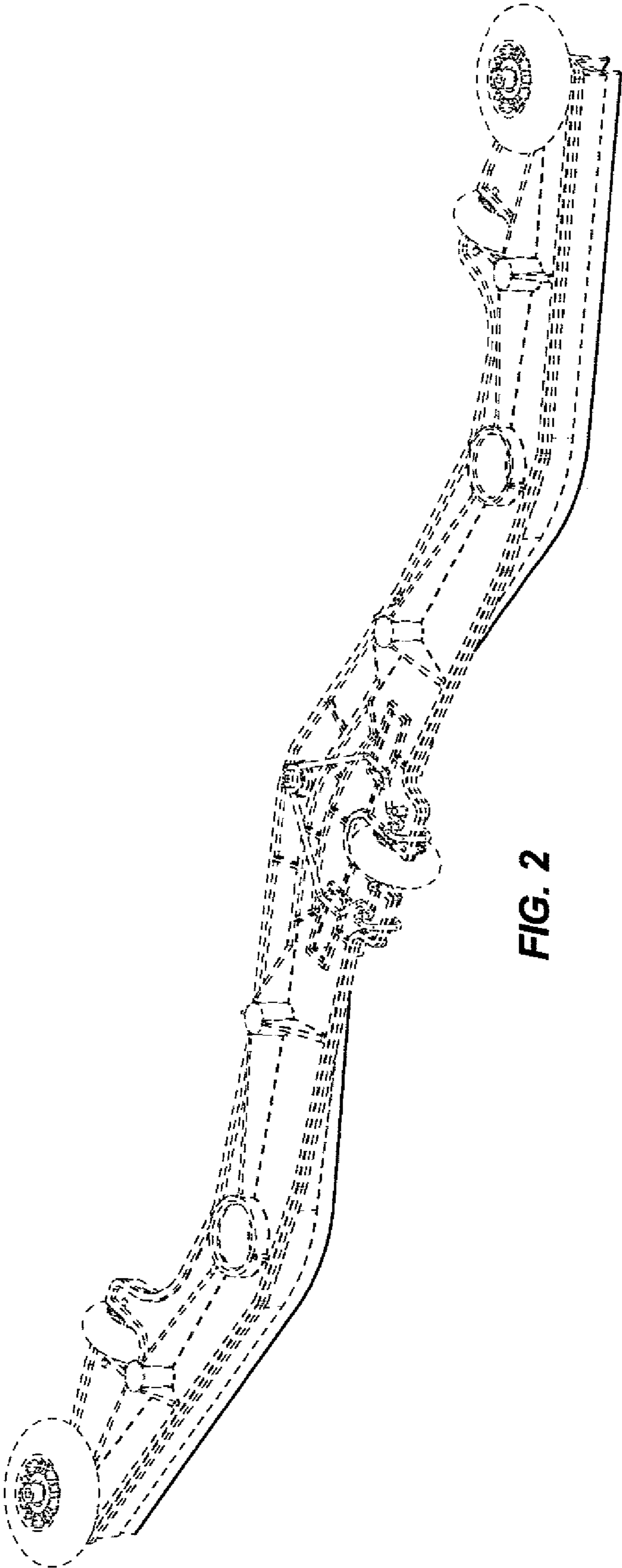


FIG. 2

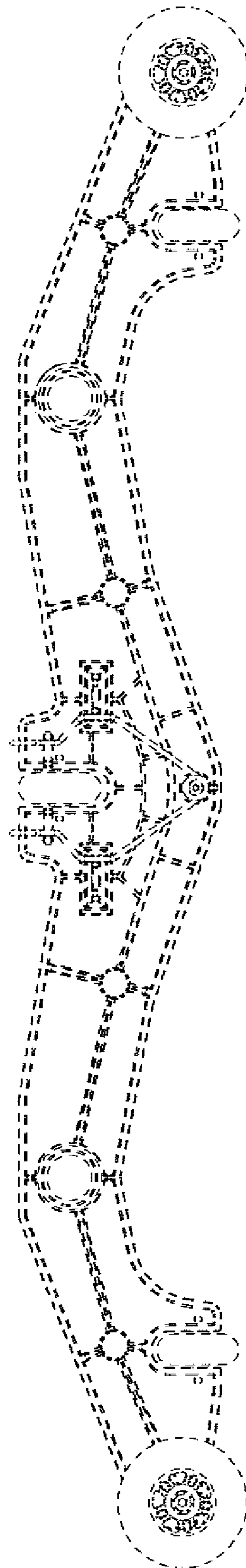


FIG. 3

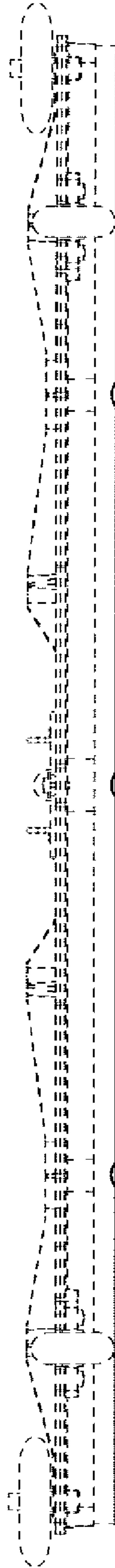


FIG. 4

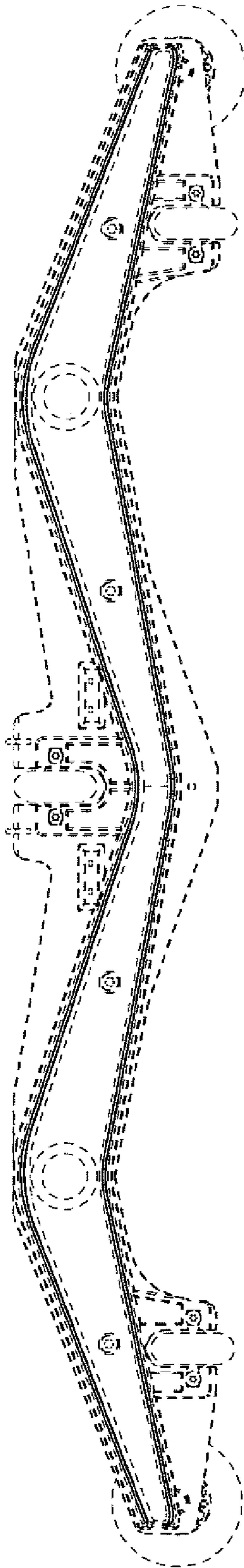


FIG. 5

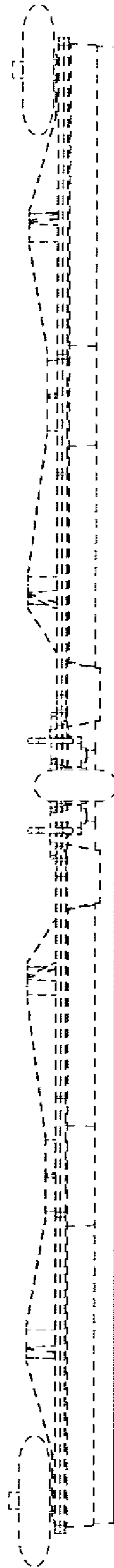


FIG. 6

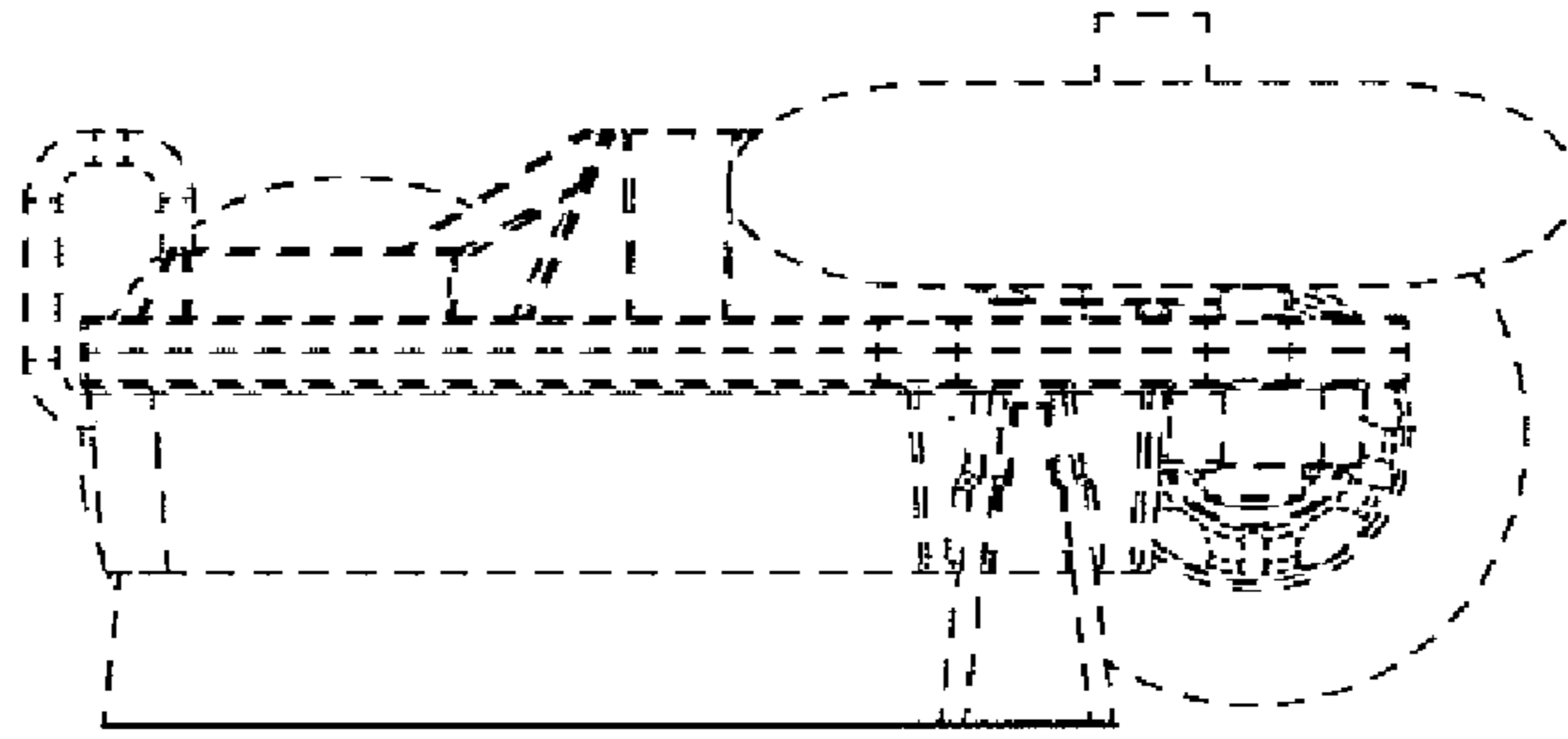


FIG. 7

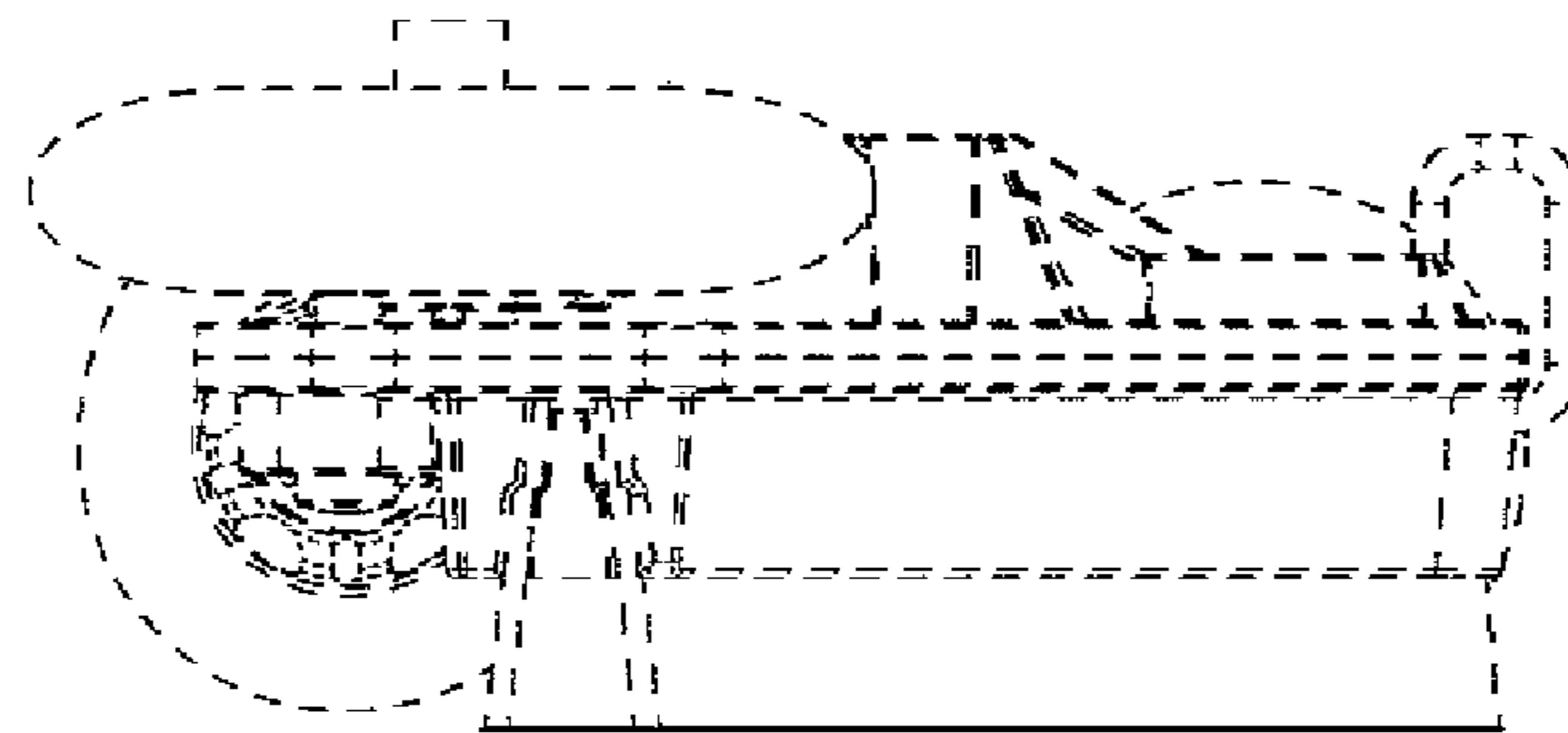


FIG. 8

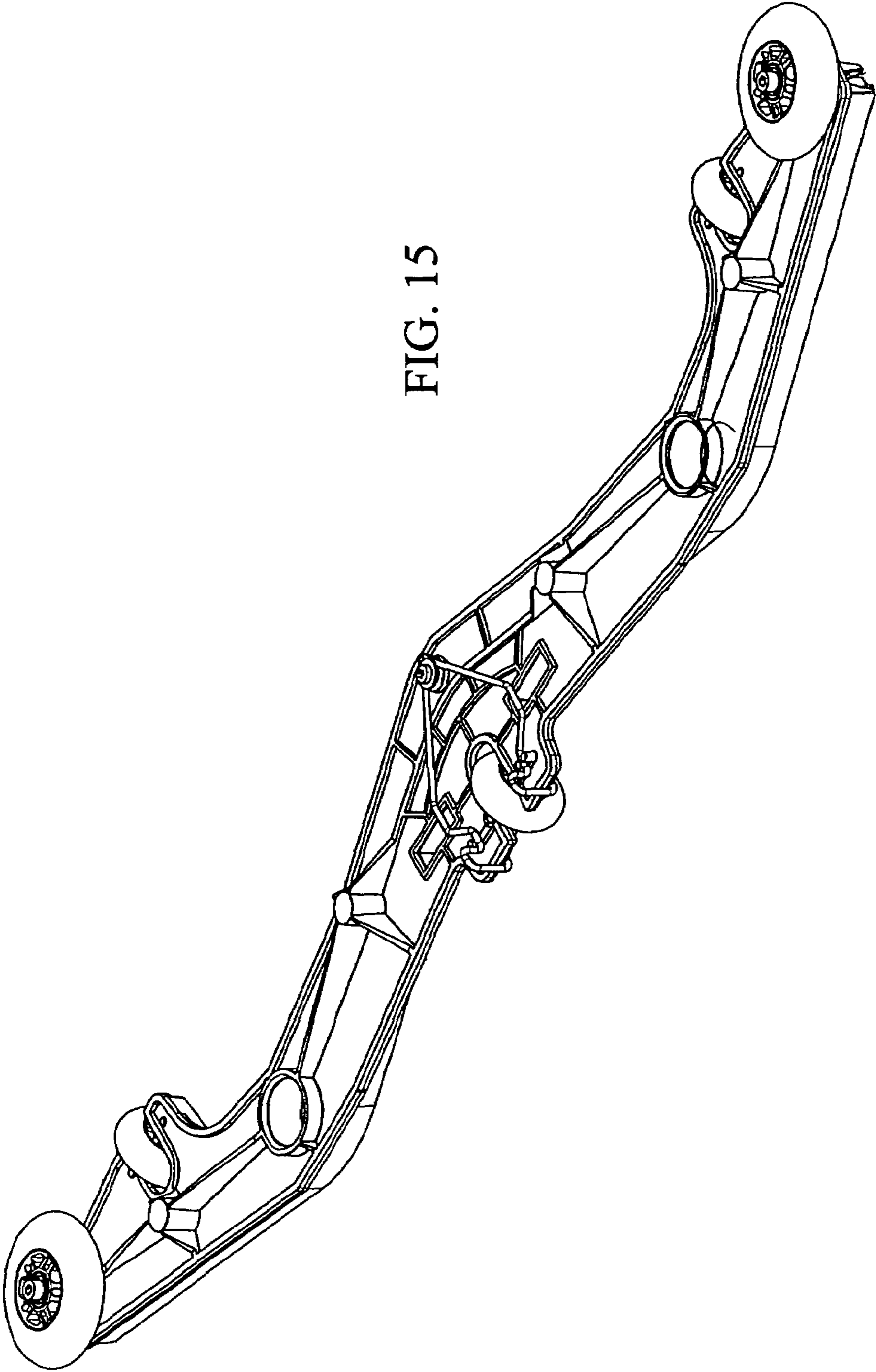


FIG. 15

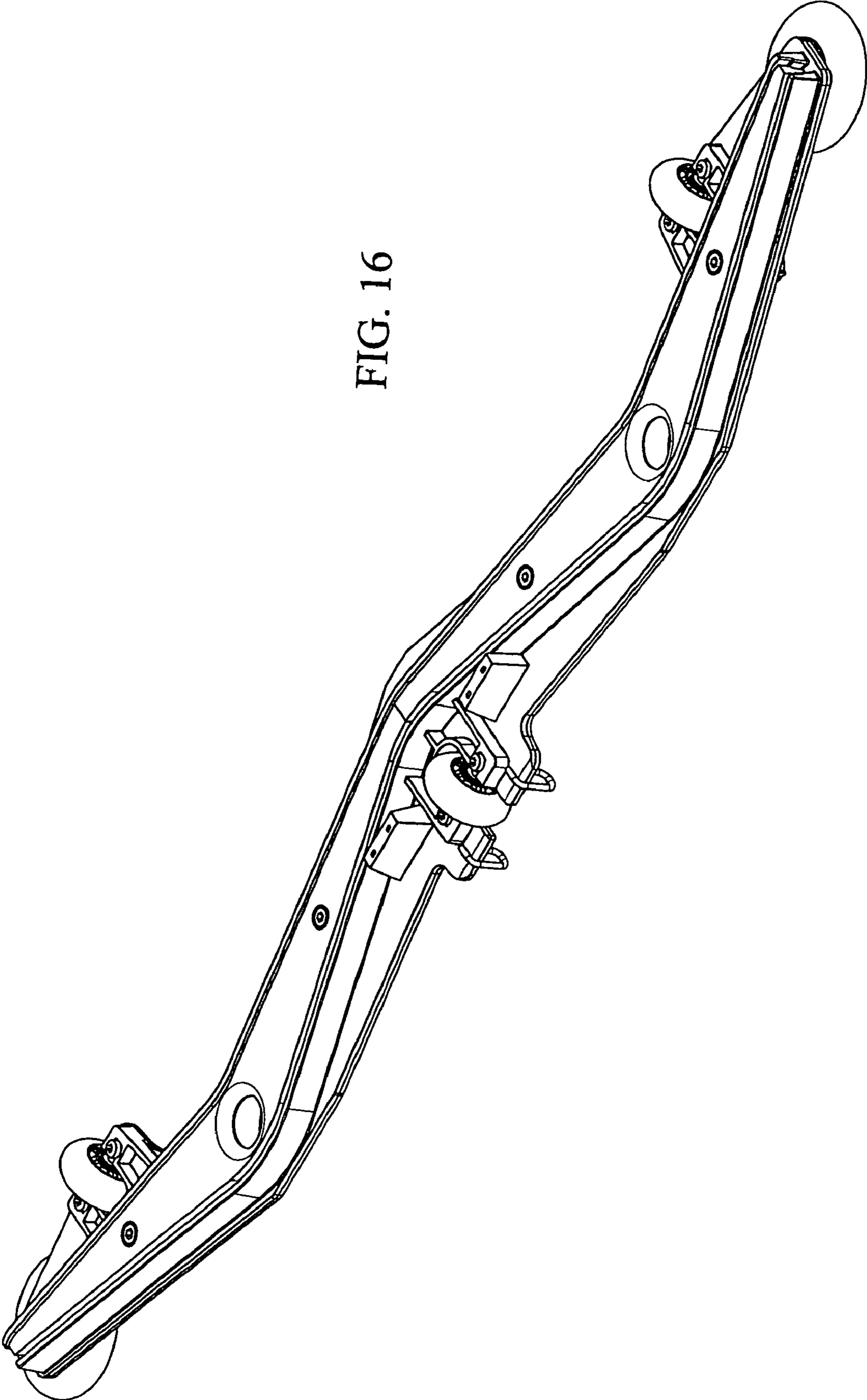


FIG. 16

FIG. 17

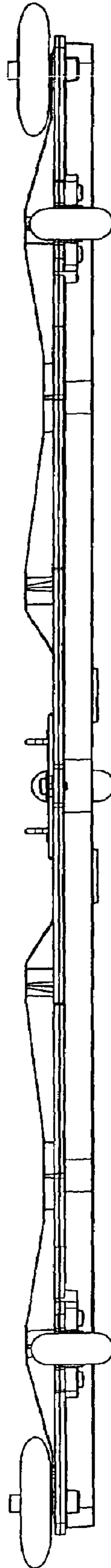


FIG. 18

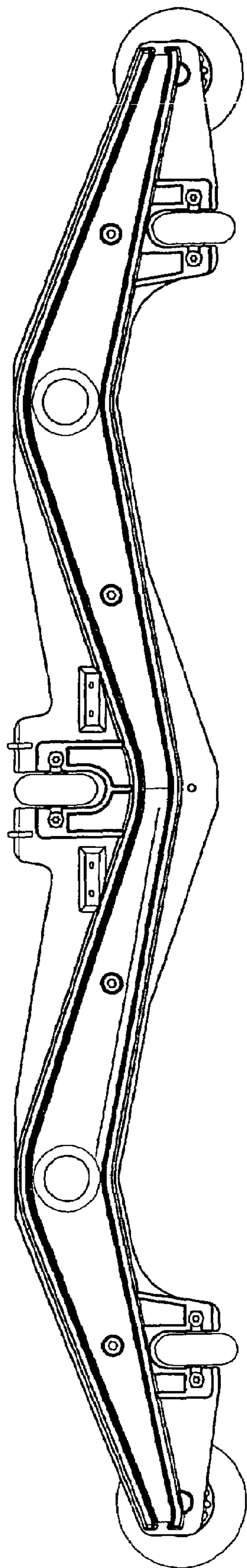


FIG. 19

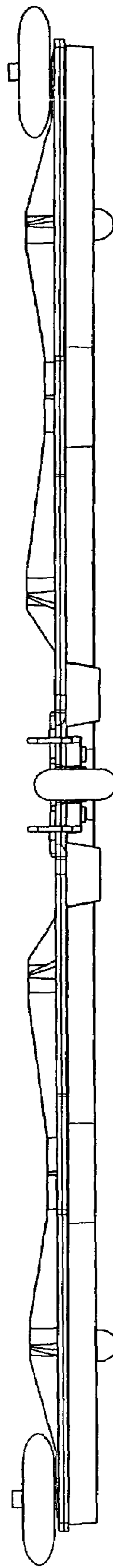


FIG. 20

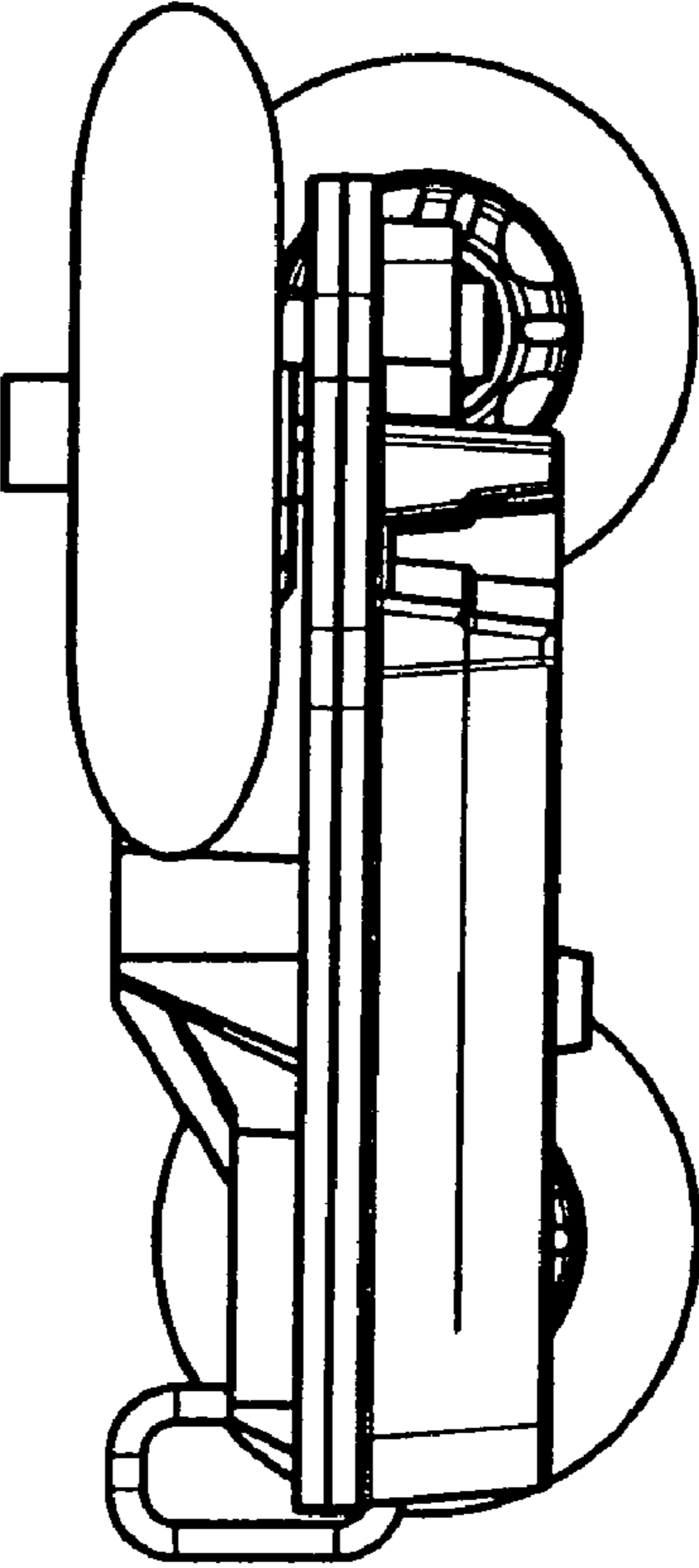


FIG. 21

