



US00D613471S

(12) **United States Design Patent**
Pelosi

(10) **Patent No.:** **US D613,471 S**
(45) **Date of Patent:** **** Apr. 6, 2010**

(54) **LAUNDRY BAG FRAME**

(75) Inventor: **Raymond J. Pelosi**, Clifton, NJ (US)

(73) Assignee: **United Storage Technologies, Inc.**,
Clifton, NJ (US)

(**) Term: **14 Years**

(21) Appl. No.: **29/308,930**

(22) Filed: **Jul. 15, 2008**

(51) **LOC (9) Cl.** **08-99**

(52) **U.S. Cl.** **D32/36**

(58) **Field of Classification Search** D32/35,
D32/36, 37; D34/5, 6; D3/304, 305, 306,
D3/307, 308, 309, 312, 314, 315; 220/607,
220/770, 780, 781, 782, 783, 913, 908, 909,
220/489, 485; 232/1 B; 248/95, 97, 99,
248/100, 101; 206/514

See application file for complete search history.

(56) **References Cited**

U.S. PATENT DOCUMENTS

711,410 A * 10/1902 Means 220/9.1
D130,402 S * 11/1941 Chidsey, Jr. D6/462
D138,327 S * 7/1944 Smith et al. D3/306
4,632,259 A * 12/1986 Cameron 211/119

D290,538 S 6/1987 Basore
D434,538 S * 11/2000 Thompson D32/37
6,315,143 B1 11/2001 Dotts
D473,378 S * 4/2003 Bellersheim D3/306
6,588,620 B1 * 7/2003 Thuma et al. 220/489
6,752,286 B2 * 6/2004 Liu 220/9.4

* cited by examiner

Primary Examiner—Cynthia E Ramirez

(74) *Attorney, Agent, or Firm*—Siegmar Silber

(57) **CLAIM**

The ornamental design for a laundry bag frame, as shown and described.

DESCRIPTION

FIG. 1 is a perspective view of a laundry bag frame of the present design;

FIG. 2 is a front elevational view of FIG. 1;

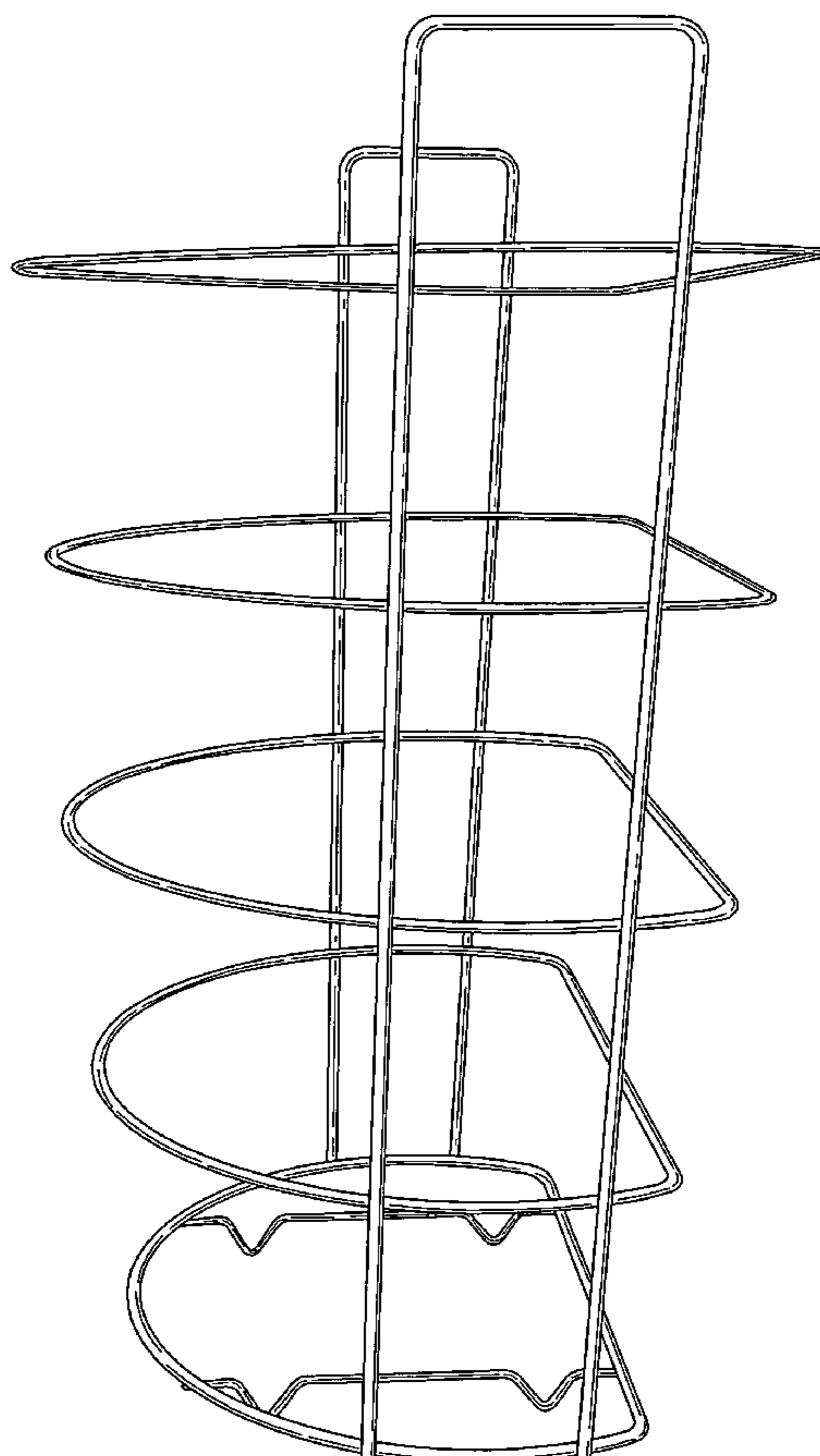
FIG. 3 is a rear elevational view of FIG. 2;

FIG. 4 is a top plan view of FIG. 2;

FIG. 5 is a bottom plan view of FIG. 1; and,

FIG. 6 is a left side elevational view of FIG. 2, the right side elevational view is not being shown as this view is the mirror image of the left side elevational view.

1 Claim, 5 Drawing Sheets



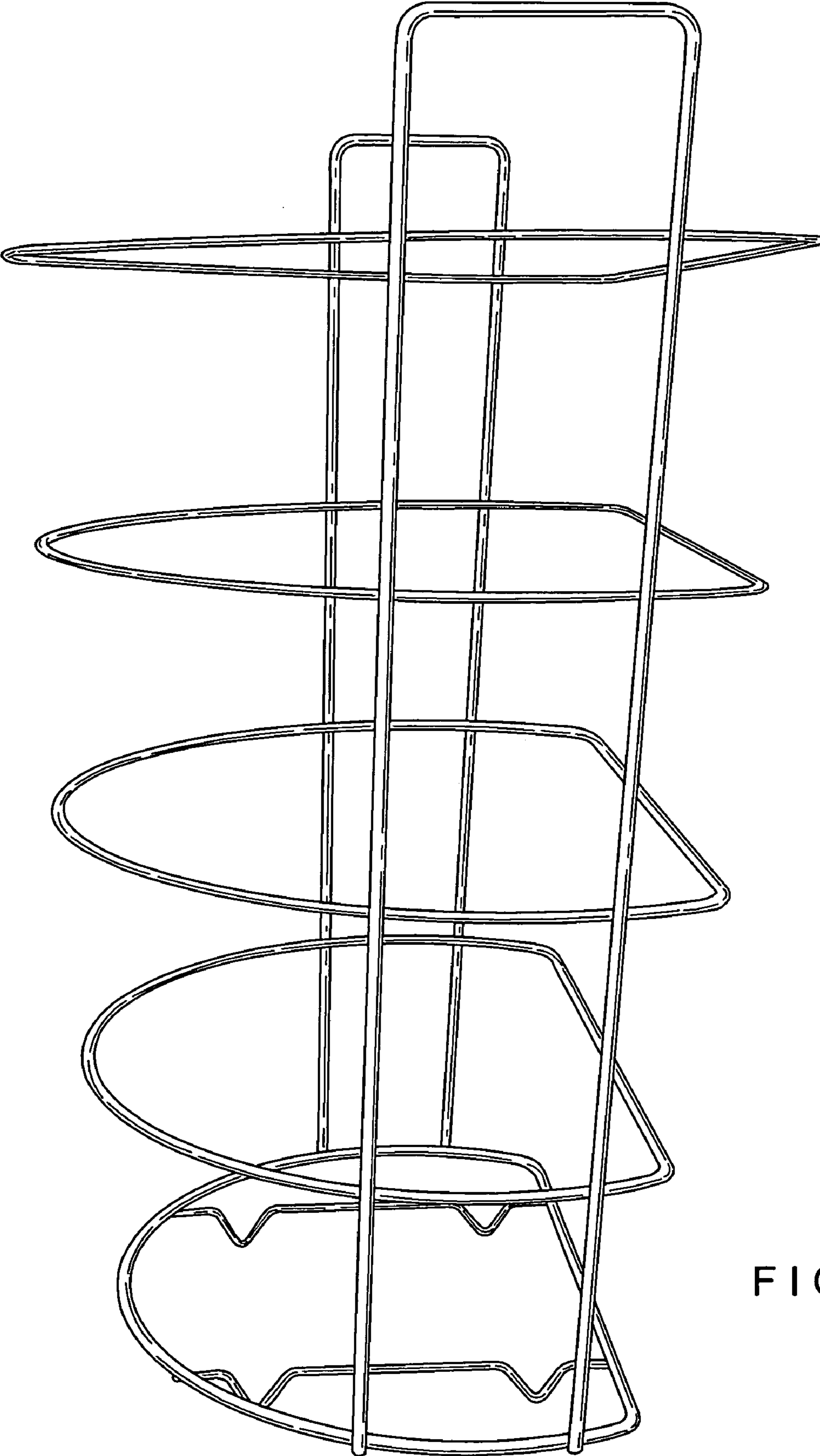


FIG. 1

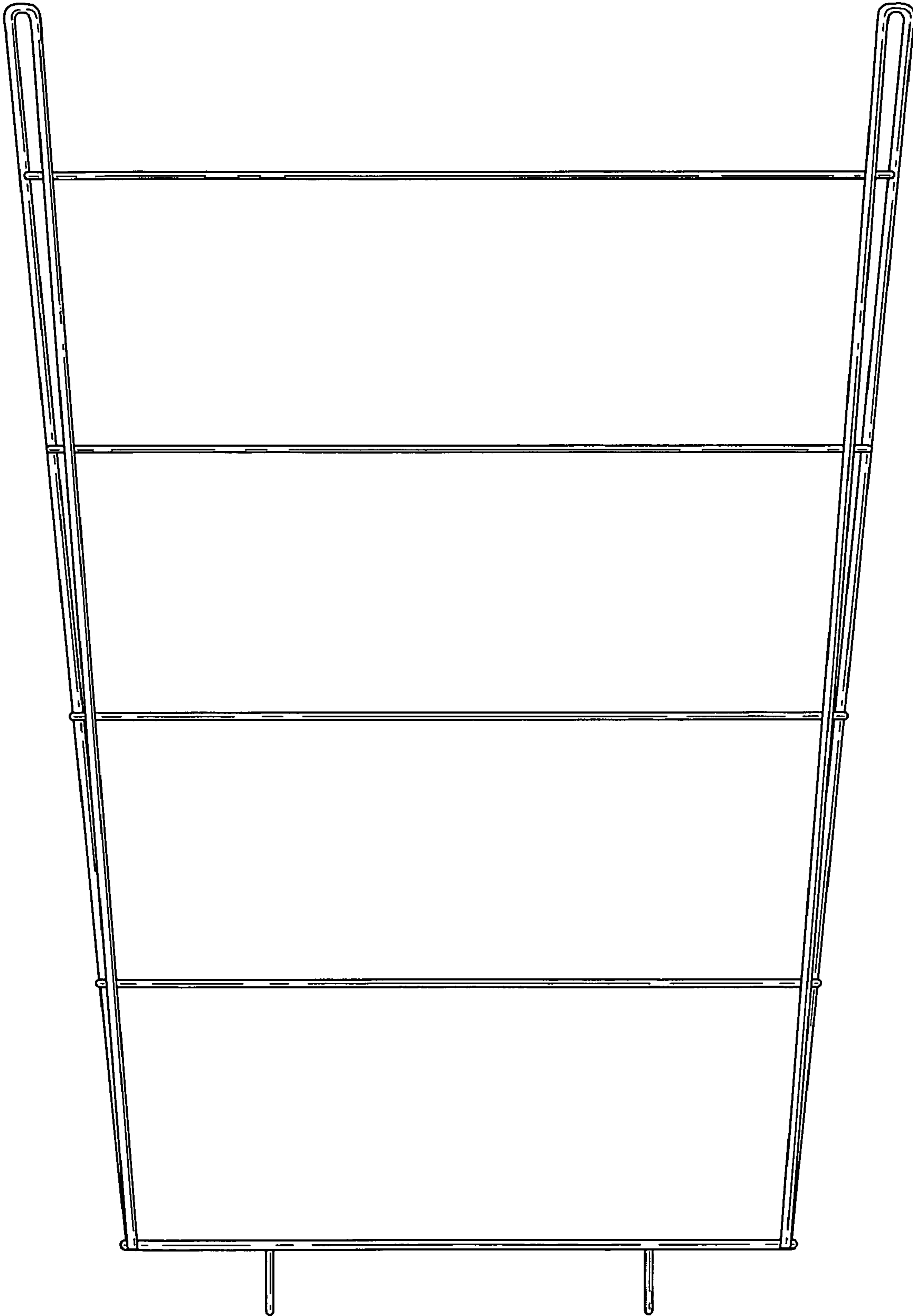


FIG. 2



FIG. 3

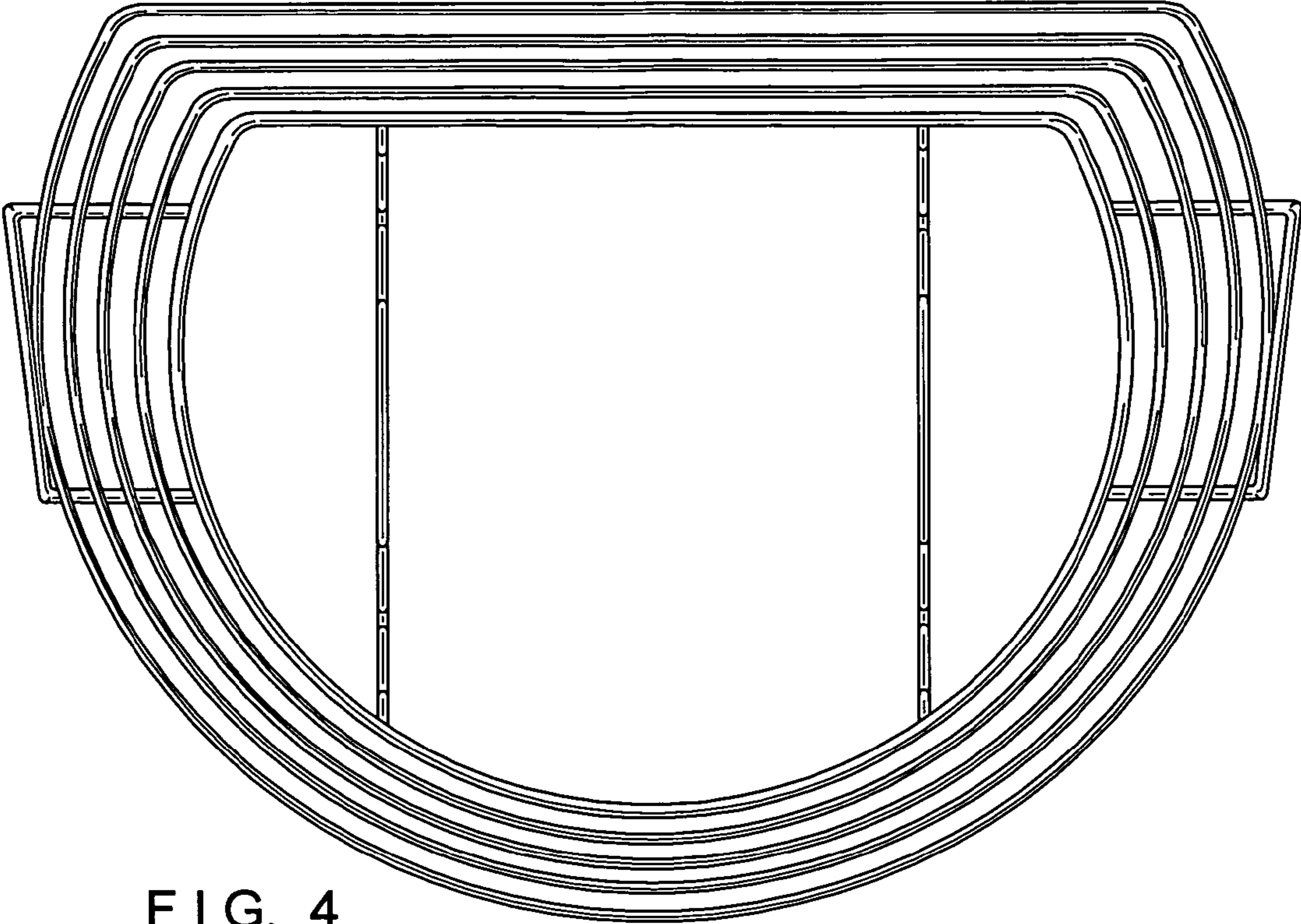


FIG. 4

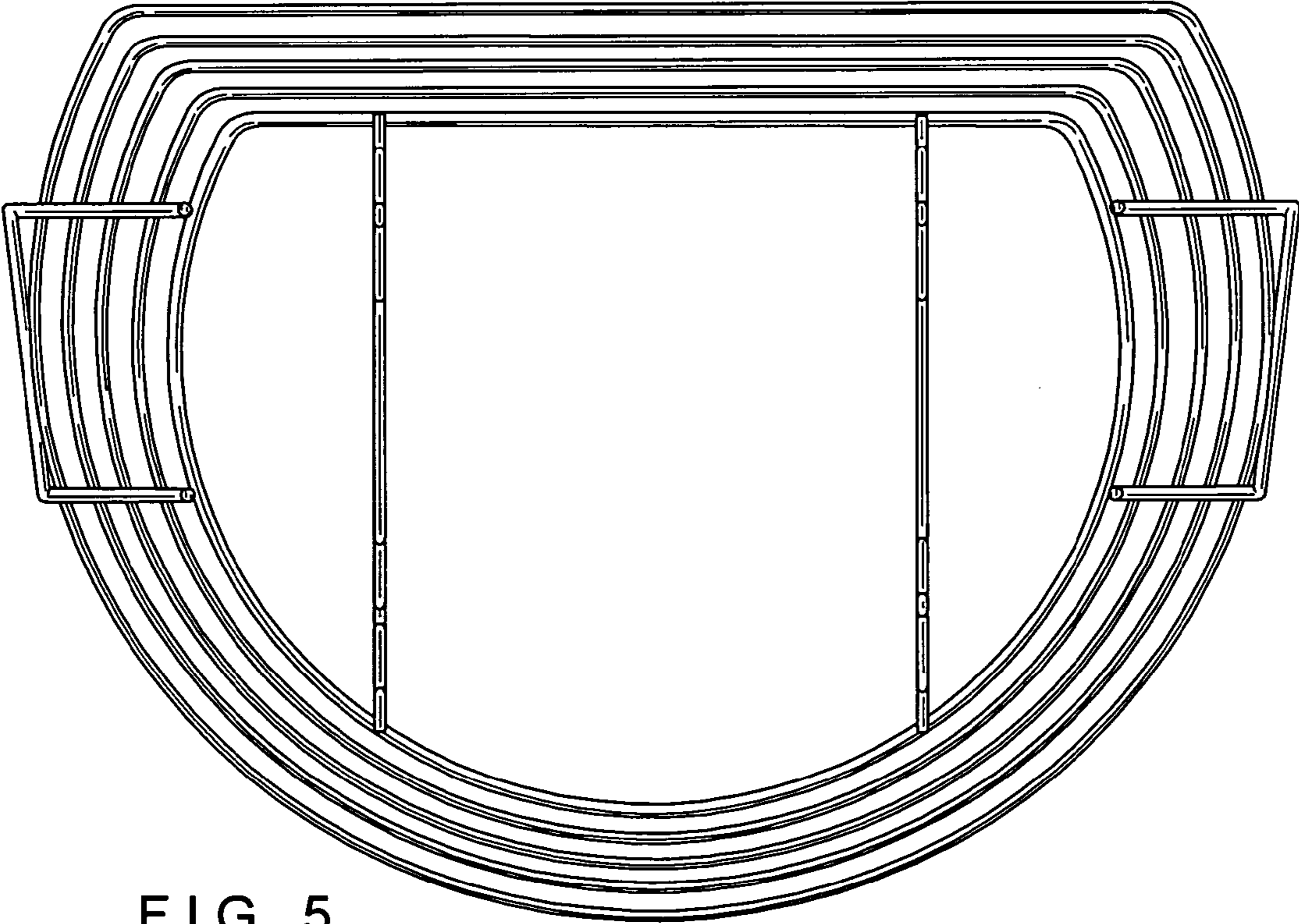


FIG. 5

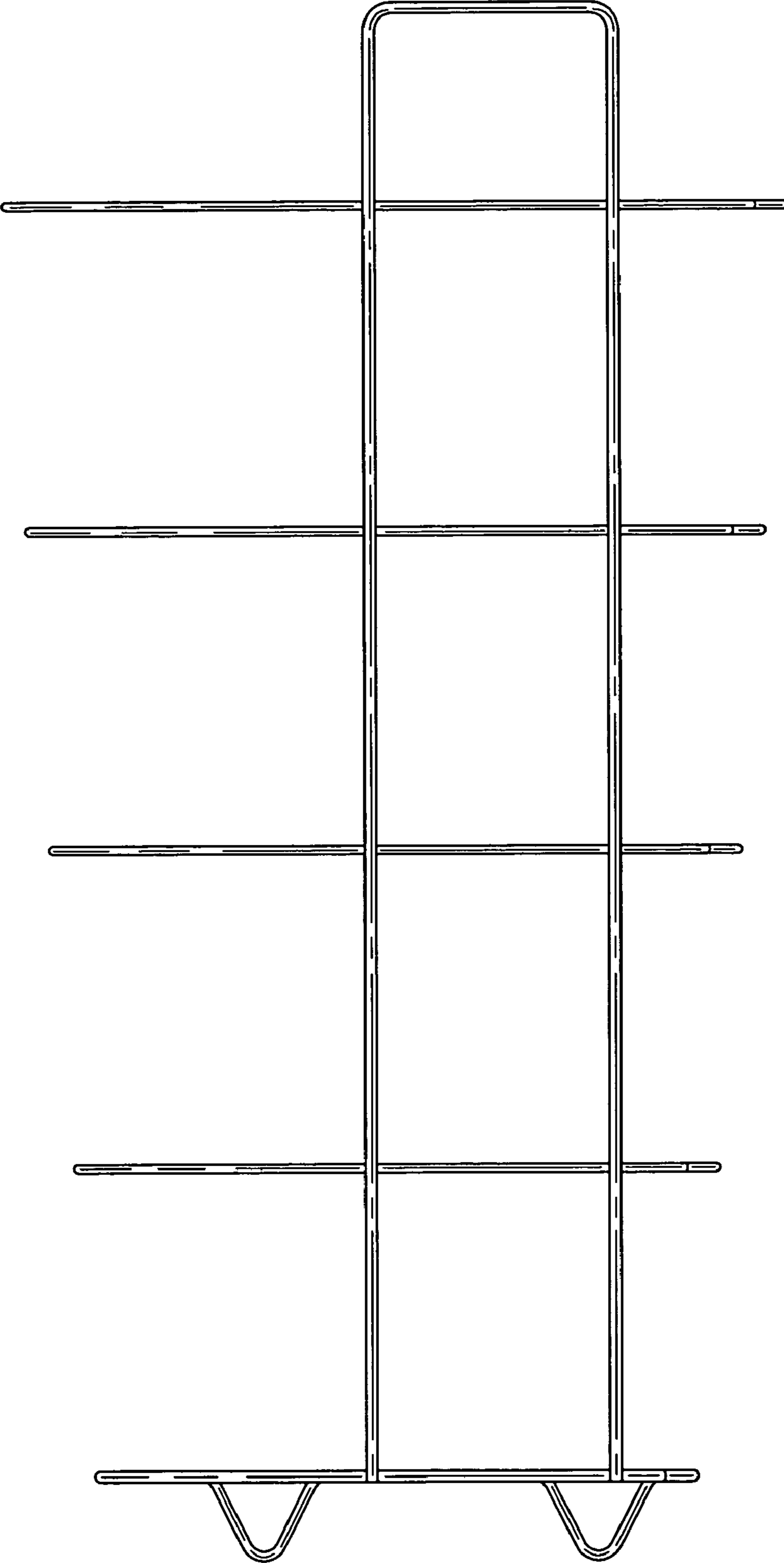


FIG. 6