



US00D613469S

(12) **United States Design Patent**
Agren

(10) **Patent No.:** **US D613,469 S**

(45) **Date of Patent:** **** Apr. 6, 2010**

(54) **VACUUM CLEANER**

(75) Inventor: **Christian Agren**, Stockholm (SE)

(73) Assignee: **Aktiebolaget Electrolux**, Stockholm (SE)

(**) Term: **14 Years**

(21) Appl. No.: **29/331,360**

(22) Filed: **Jan. 23, 2009**

(51) **LOC (9) Cl.** **15-05**

(52) **U.S. Cl.** **D32/22**

(58) **Field of Classification Search** D32/22,
D32/30-31, 34; 15/320-321, 329, 350-354,
15/362, 410, 411, 347; 55/366, 429, 315,
55/356, 372, 337, DIG. 3, 345; 95/271
See application file for complete search history.

(56) **References Cited**

U.S. PATENT DOCUMENTS

D301,649 S *	6/1989	Yamamoto et al.	D32/22
D303,171 S *	8/1989	Goodrich et al.	D32/22
D307,656 S *	5/1990	Yuen	D32/22
D382,681 S *	8/1997	Thomas	D32/22
D399,618 S *	10/1998	Jacobs	D32/22
D433,546 S *	11/2000	Milanese	D32/22
D483,160 S *	12/2003	Houghton	D32/22
D495,456 S *	8/2004	Ågren	D32/22
D553,813 S *	10/2007	Parr	D32/22
D565,814 S *	4/2008	Ågren et al.	D32/22
D565,816 S *	4/2008	Agren et al.	D32/22
D574,563 S *	8/2008	Fjellman et al.	D32/22
D582,111 S	12/2008	Agren et al.	
2007/0130723 A1 *	6/2007	Kelly	15/410

2008/0040883 A1* 2/2008 Beskow et al. 15/329

* cited by examiner

Primary Examiner—Ruth McInroy

(74) *Attorney, Agent, or Firm*—Banner & Witcoff, Ltd.

(57) **CLAIM**

The ornamental design for a vacuum cleaner, as shown and described.

DESCRIPTION

FIG. 1 is a perspective view of a vacuum cleaner showing my new design;

FIG. 2 is a left side view thereof;

FIG. 3 is a front view thereof;

FIG. 4 is a right side view thereof;

FIG. 5 is a rear view thereof;

FIG. 6 is a top view thereof;

FIG. 7 is a bottom view thereof;

FIG. 8 is a perspective view of a second embodiment thereof;

FIG. 9 is a left side view thereof;

FIG. 10 is a front view thereof;

FIG. 11 is a right side view thereof;

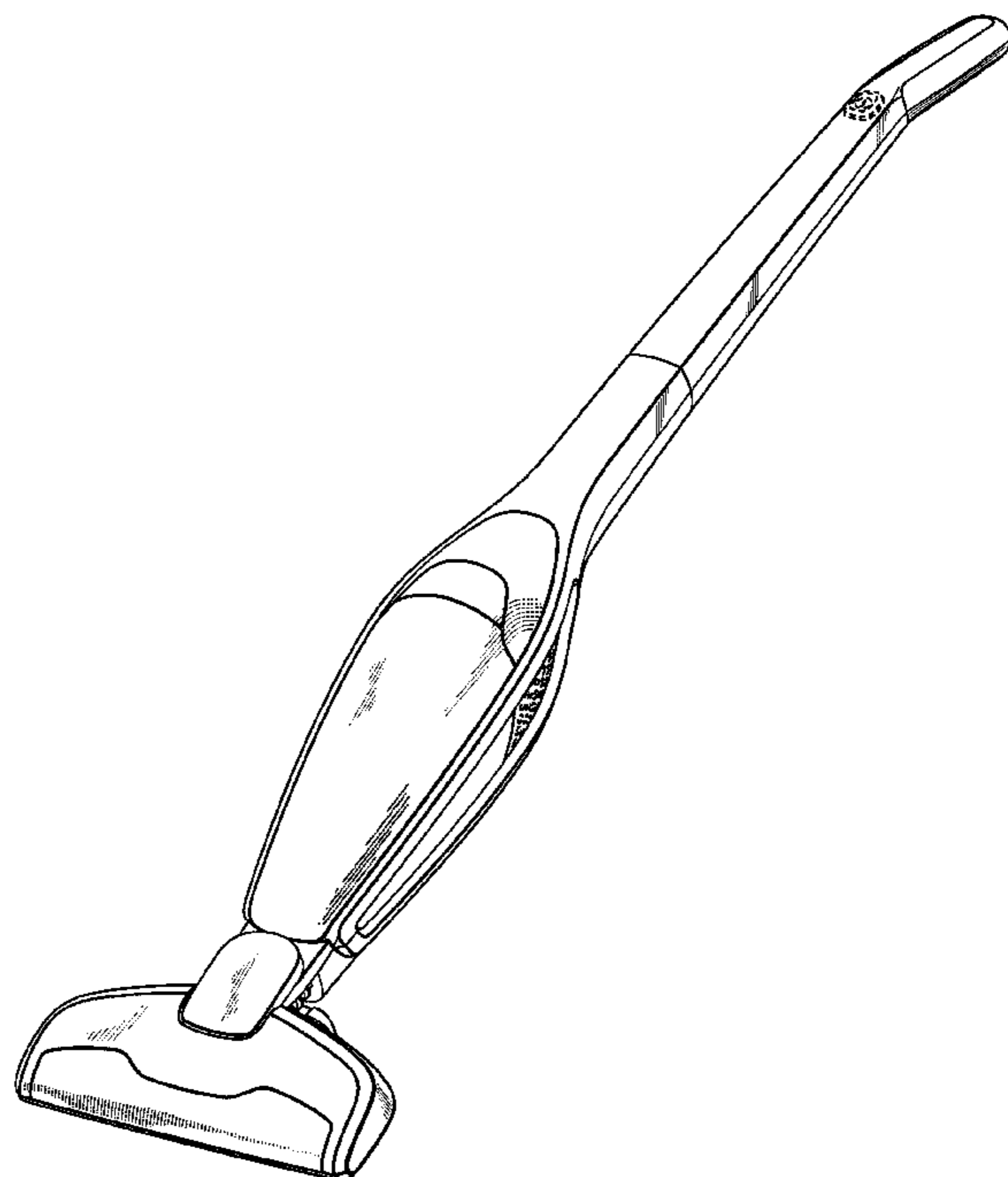
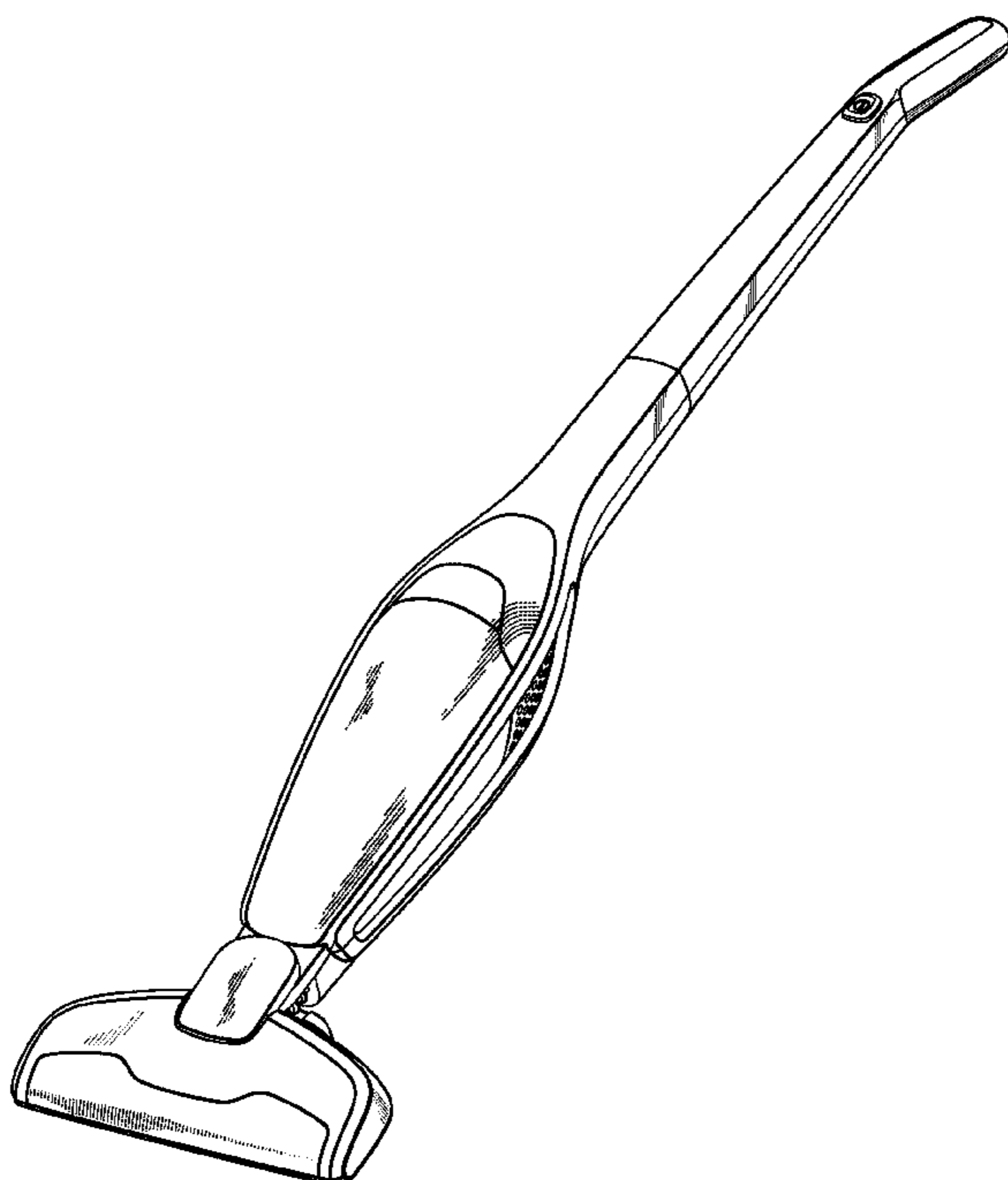
FIG. 12 is a rear view thereof;

FIG. 13 is a top view thereof; and,

FIG. 14 is a bottom view thereof.

The broken line showing of various elements in FIGS. 8-14 is for environmental purposes only and forms no part of the claimed design.

1 Claim, 8 Drawing Sheets



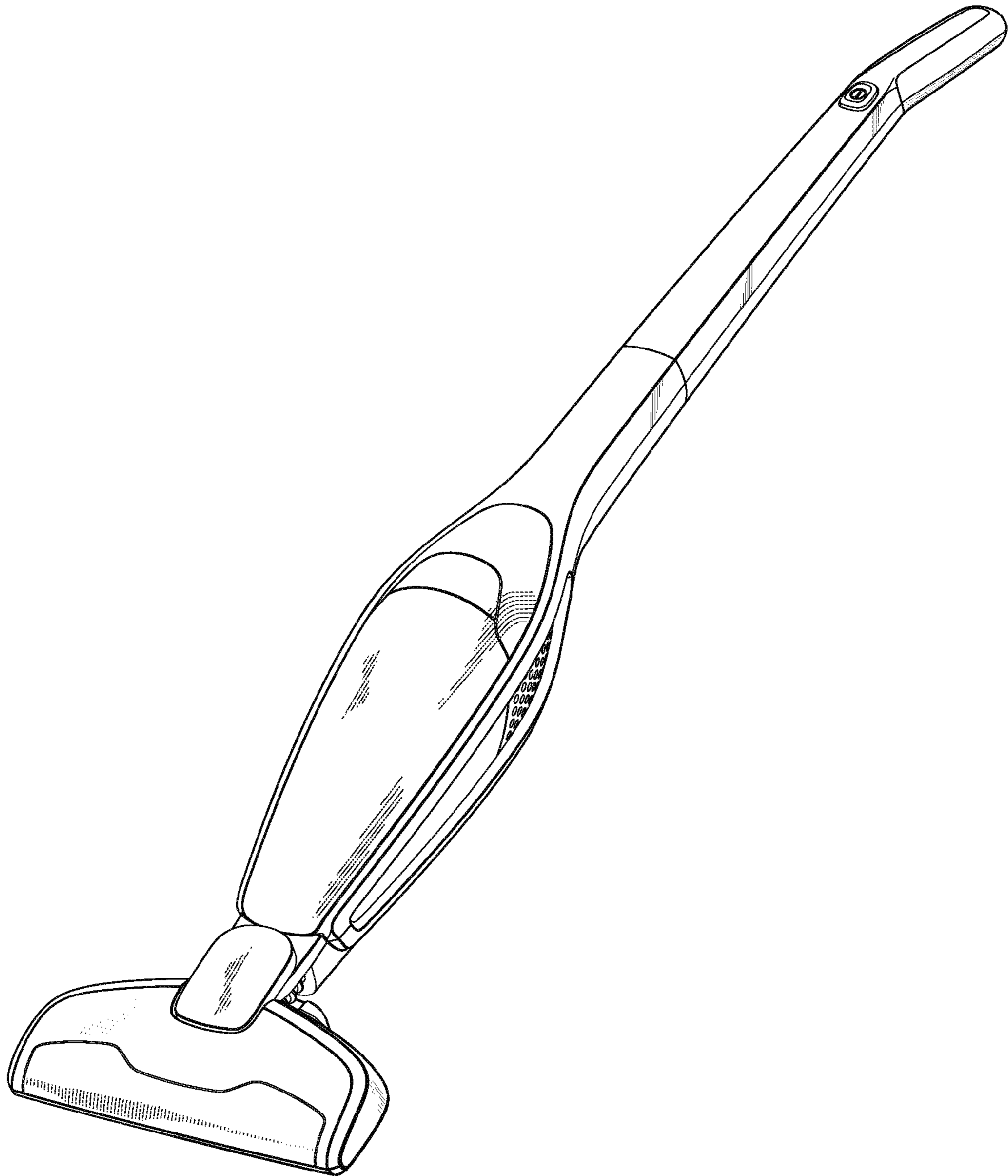


FIG. 1

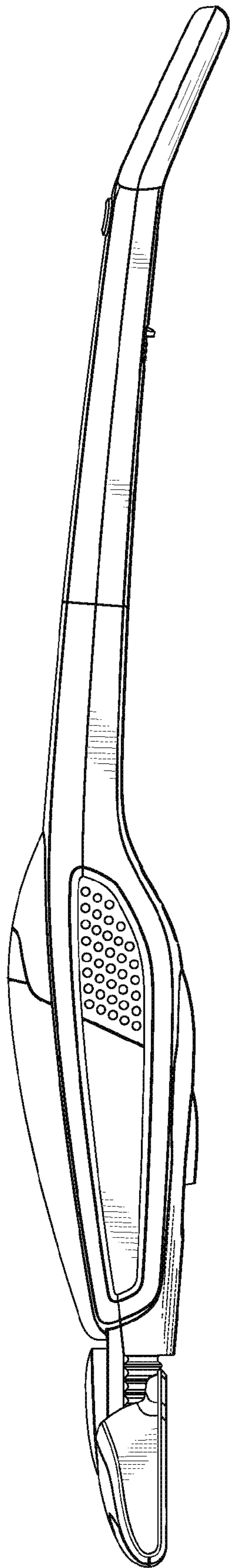


FIG. 2

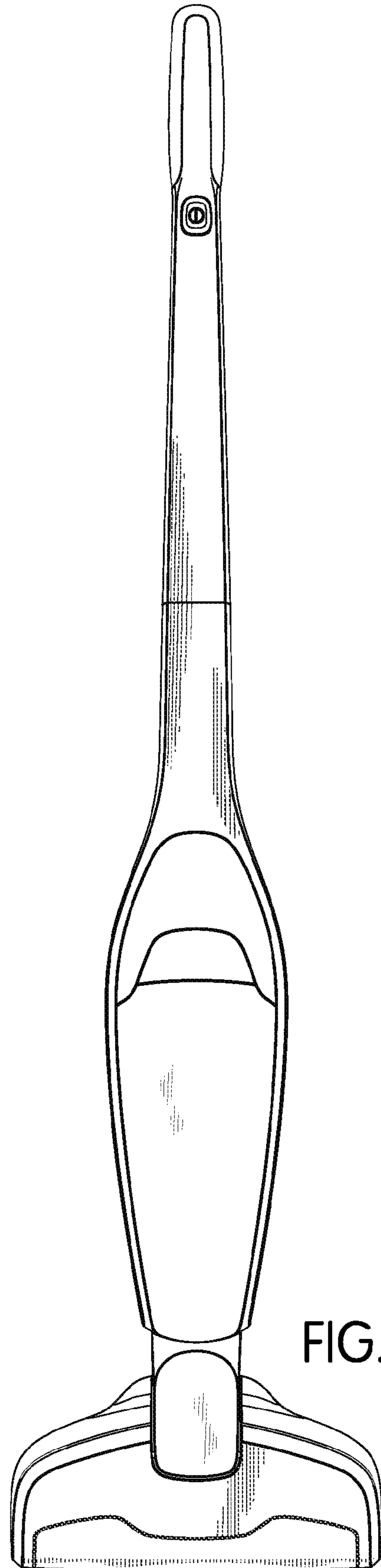


FIG. 3

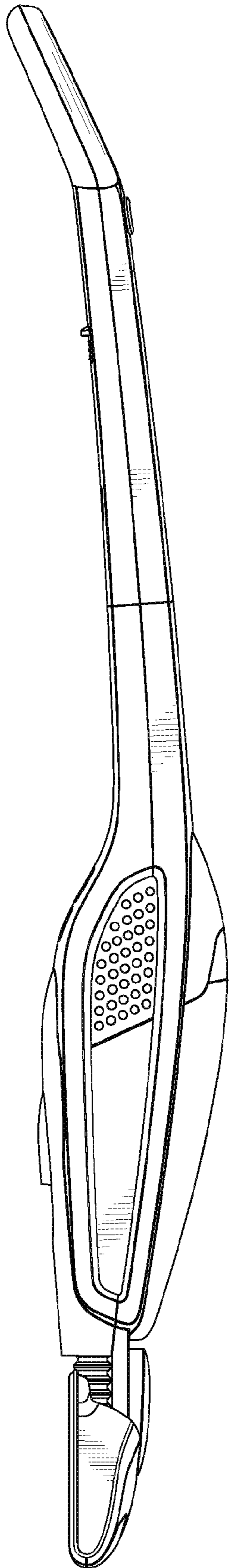


FIG. 4

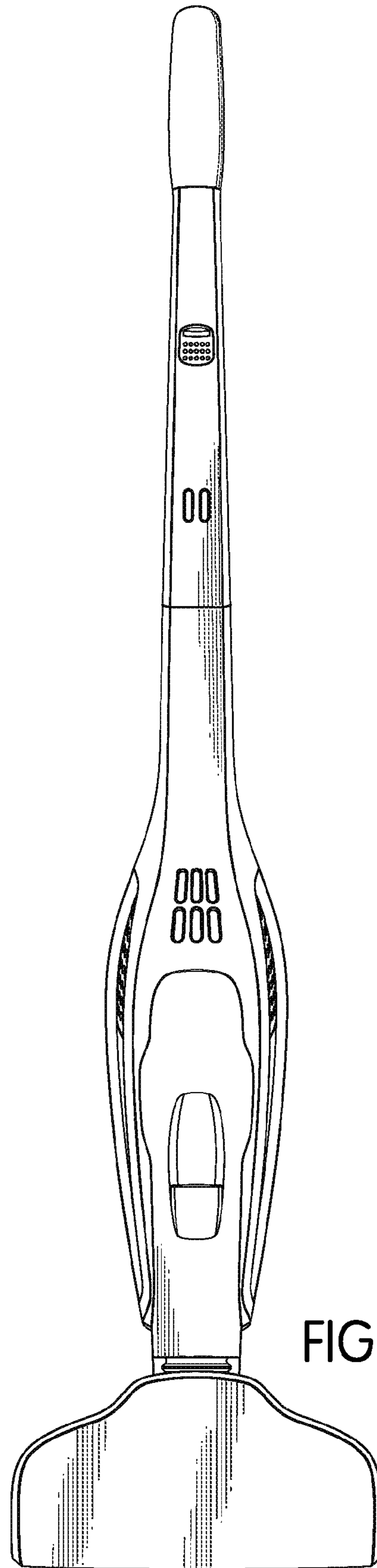


FIG. 5

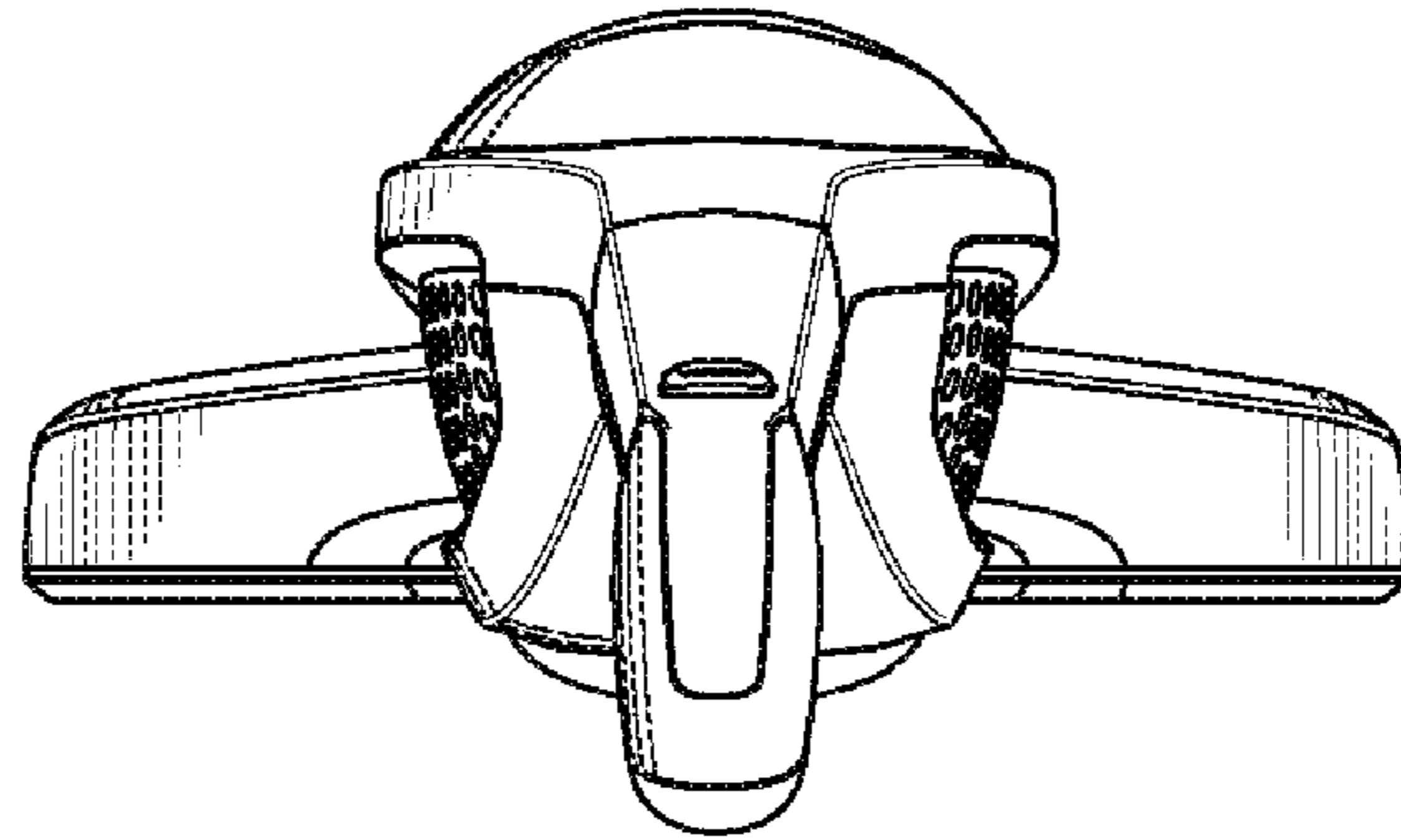


FIG. 6

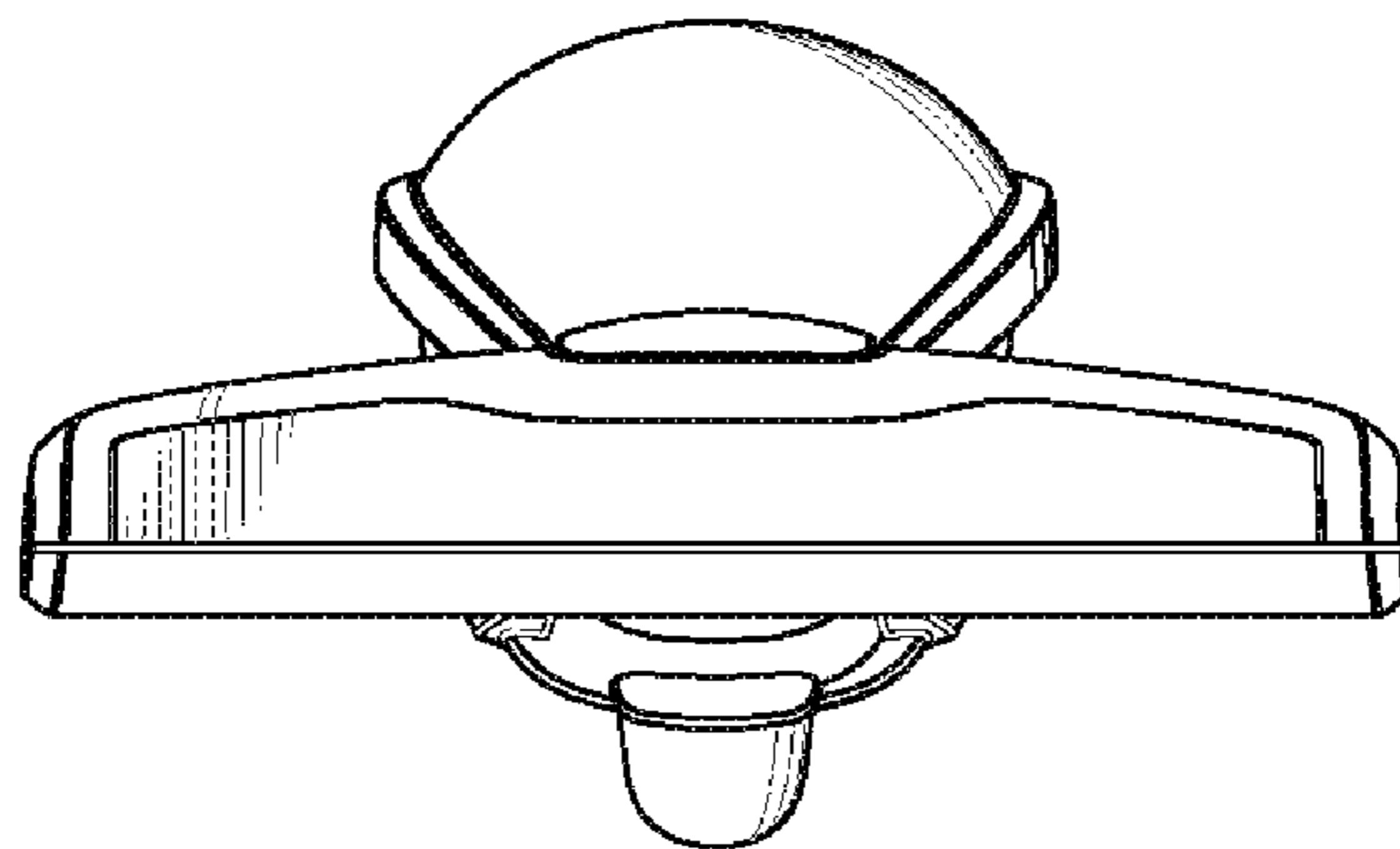


FIG. 7

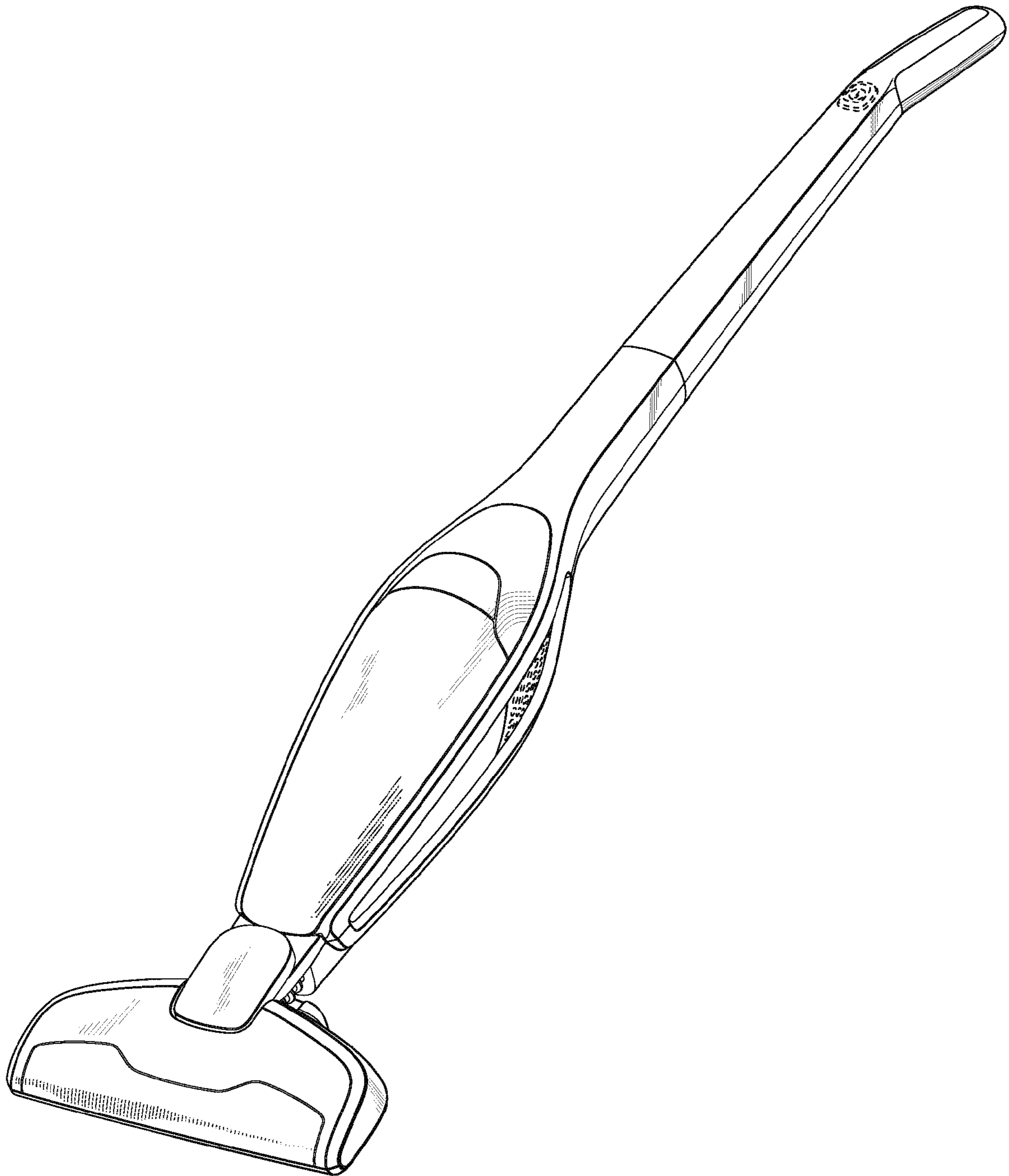


FIG. 8

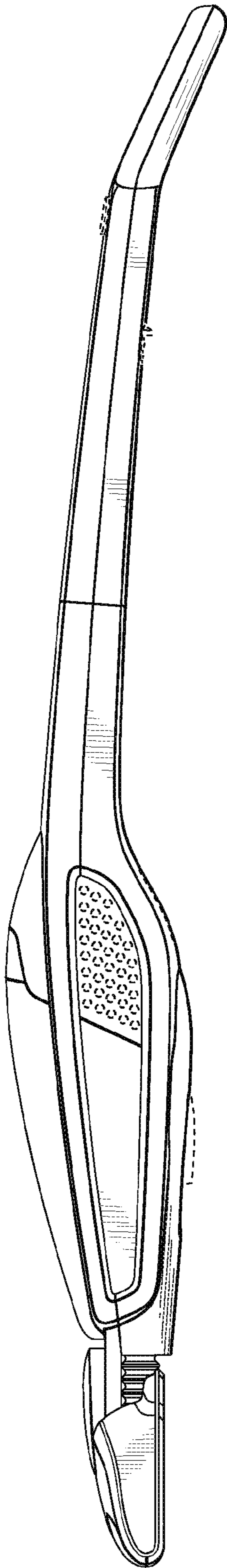


FIG. 9

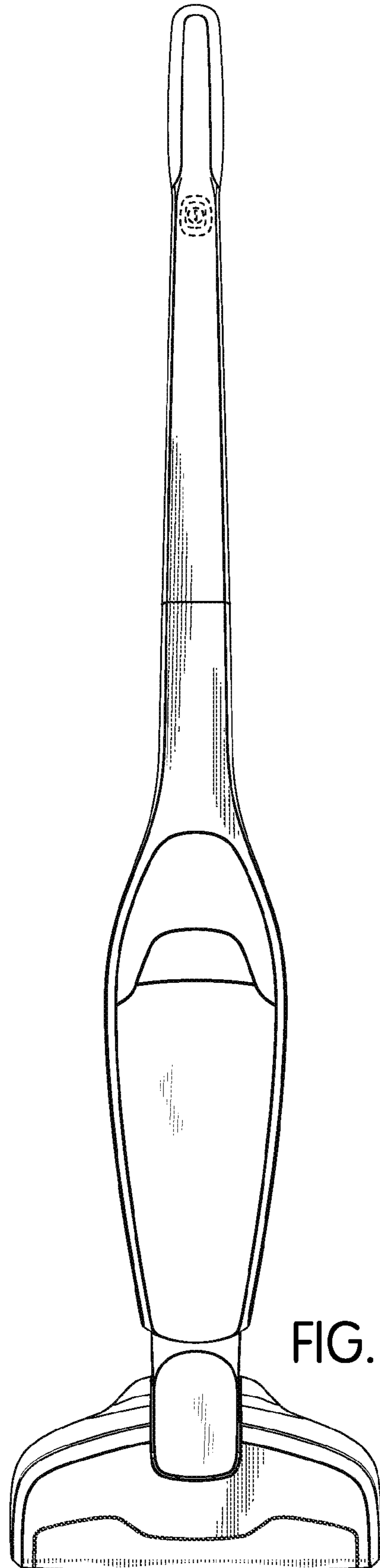


FIG. 10

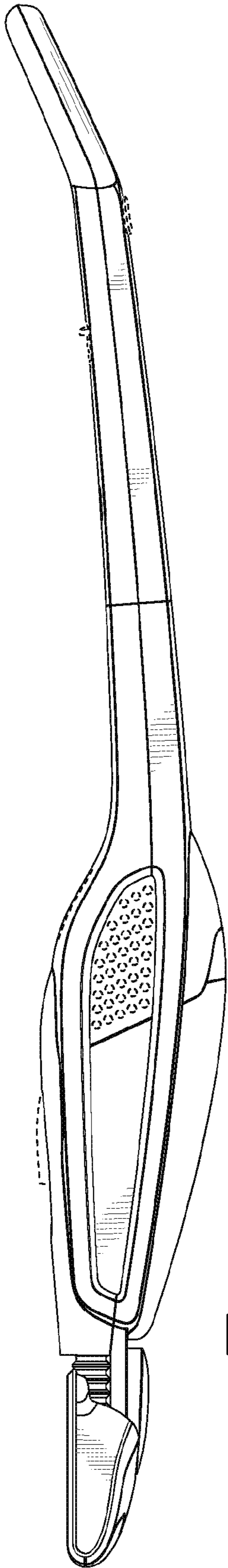


FIG. 11

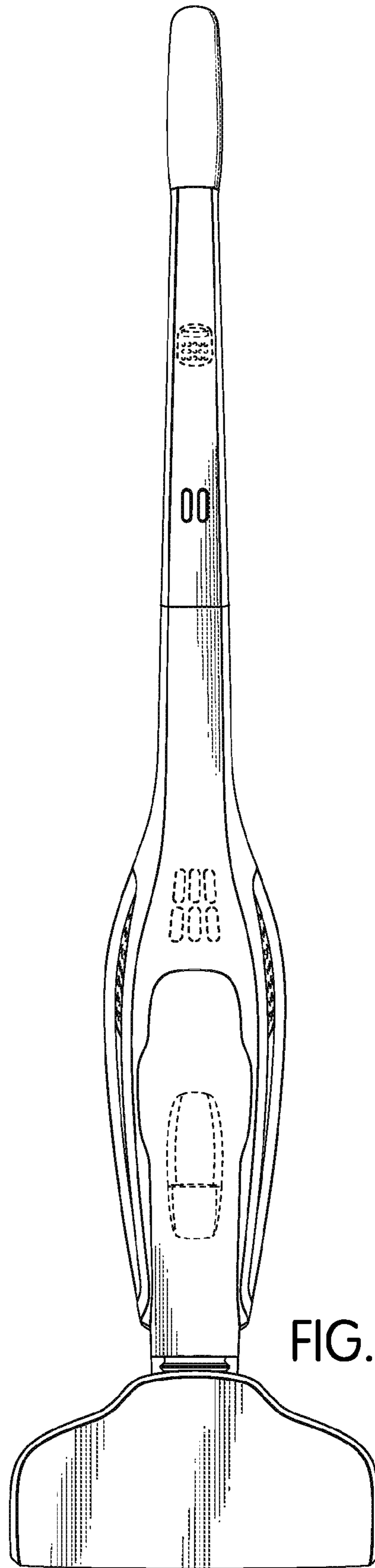


FIG. 12

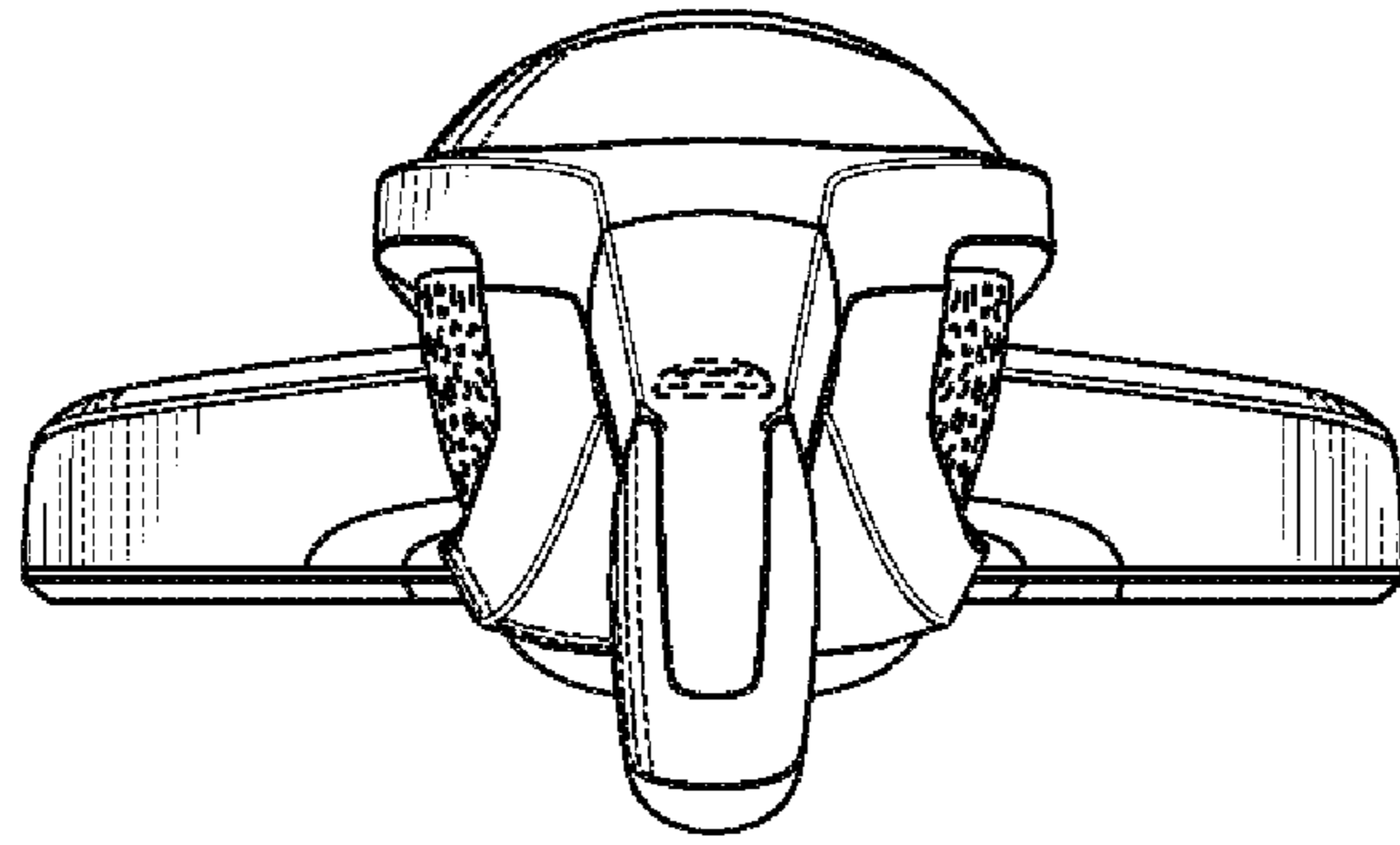


FIG. 13

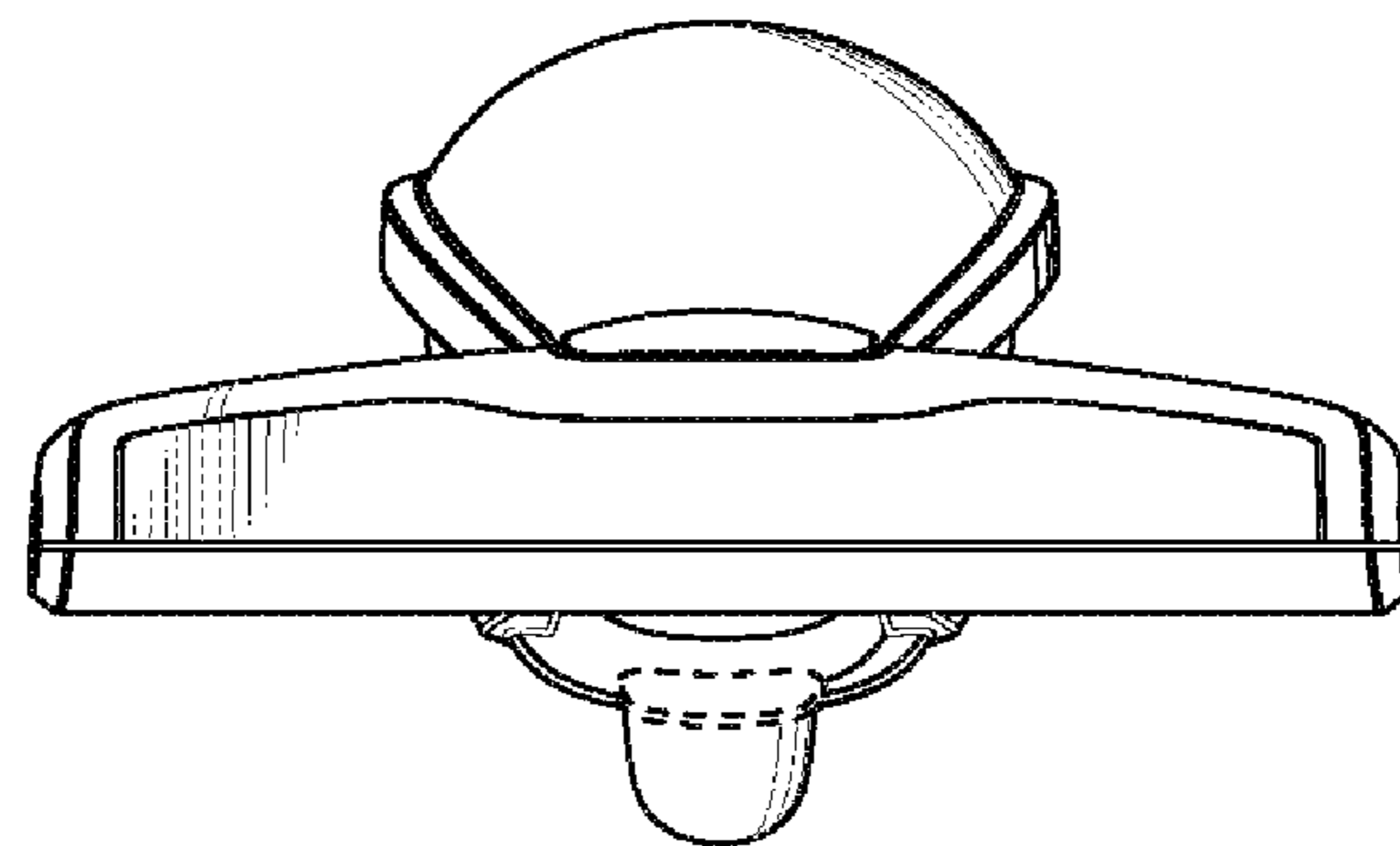


FIG. 14