



US00D613467S

(12) **United States Design Patent**  
**Park et al.**

(10) **Patent No.:** **US D613,467 S**  
(45) **Date of Patent:** **\*\* Apr. 6, 2010**

(54) **WASHING MACHINE**

D577,869 S \* 9/2008 Tartan et al. .... D32/2  
D589,217 S \* 3/2009 Park et al. .... D32/6

(75) Inventors: **So Jin Park**, Seoul (KR); **Jong Hee Han**, Gyeonggi-do (KR); **Na Jung Cho**, Seoul (KR); **Jea Seok Seong**, Gyeonggi-do (KR)

\* cited by examiner

*Primary Examiner*—T. Chase Nelson  
*Assistant Examiner*—Kathleen M Sims

(73) Assignee: **LG Eletronics Inc.**, Seoul (KR)

(74) *Attorney, Agent, or Firm*—Morgan Lewis & Bockius LLP

(\*\*) Term: **14 Years**

(57) **CLAIM**

(21) Appl. No.: **29/337,812**

The ornamental design for a washing machine, as shown and described.

(22) Filed: **May 29, 2009**

(30) **Foreign Application Priority Data**

**DESCRIPTION**

Dec. 4, 2008 (KR) ..... 30-2008-0052383

FIG. 1 is a top, front, perspective view of a washing machine showing our new design;

(51) **LOC (9) Cl.** ..... **15-05**

FIG. 2 is a front view thereof;

(52) **U.S. Cl.** ..... **D32/6**

FIG. 3 is a rear view thereof;

(58) **Field of Classification Search** ..... D32/1,  
D32/5-6, 8, 10; 68/3 R, 5 R, 12.01; 312/31;  
34/87-88, 523-524

FIG. 4 is a left side view thereof;

FIG. 5 is a right side view thereof;

See application file for complete search history.

FIG. 6 is a top plan view thereof;

FIG. 7 is a bottom plan view thereof; and,

(56) **References Cited**

FIG. 8 is a front view thereof, shown in an open position.

**U.S. PATENT DOCUMENTS**

The broken lines depict portions of the washing machine that form no part of the claimed design.

D517,754 S \* 3/2006 Paik et al. .... D32/2  
D539,992 S \* 4/2007 Yamamoto et al. .... D32/2  
D557,466 S \* 12/2007 Suh ..... D32/6

**1 Claim, 7 Drawing Sheets**

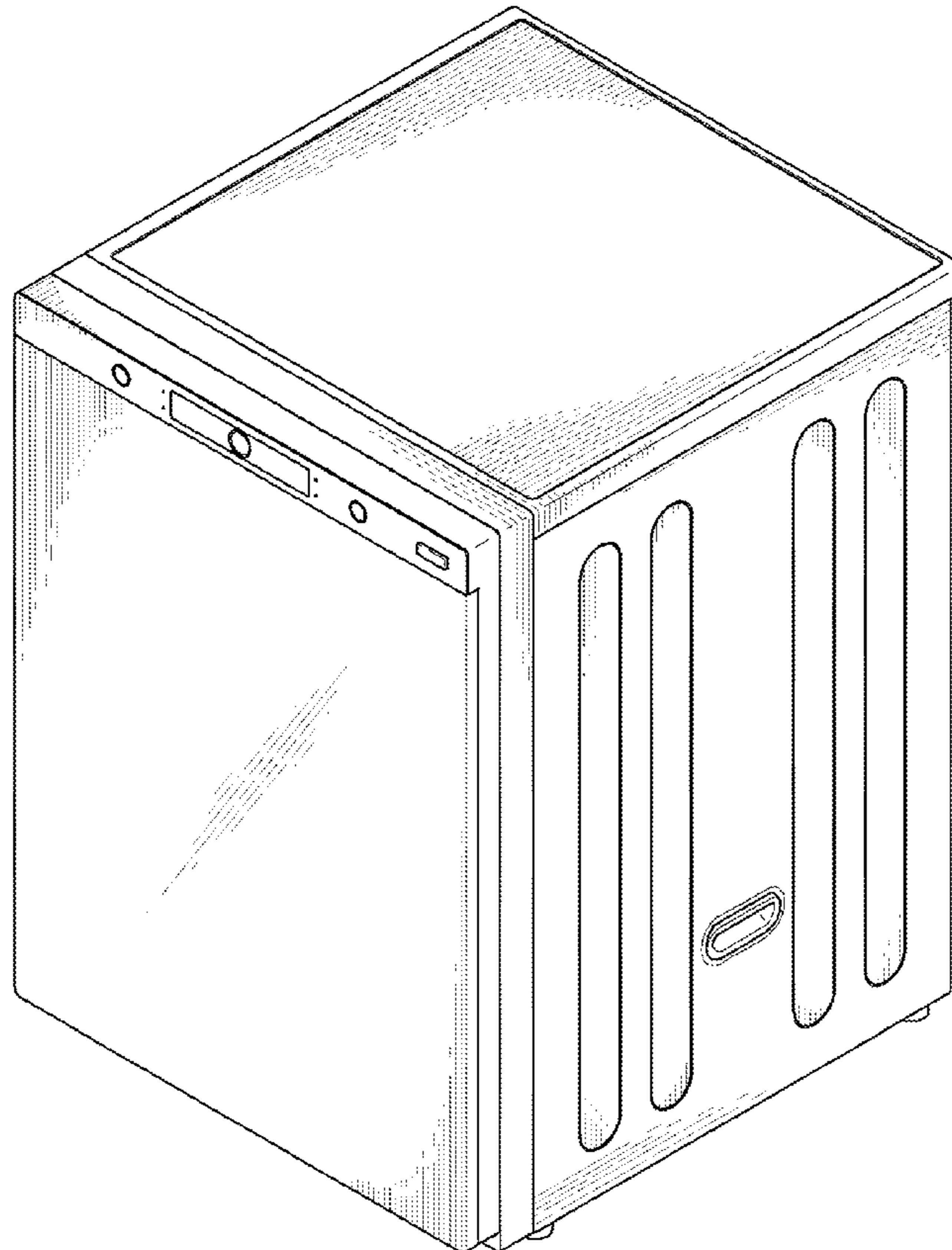
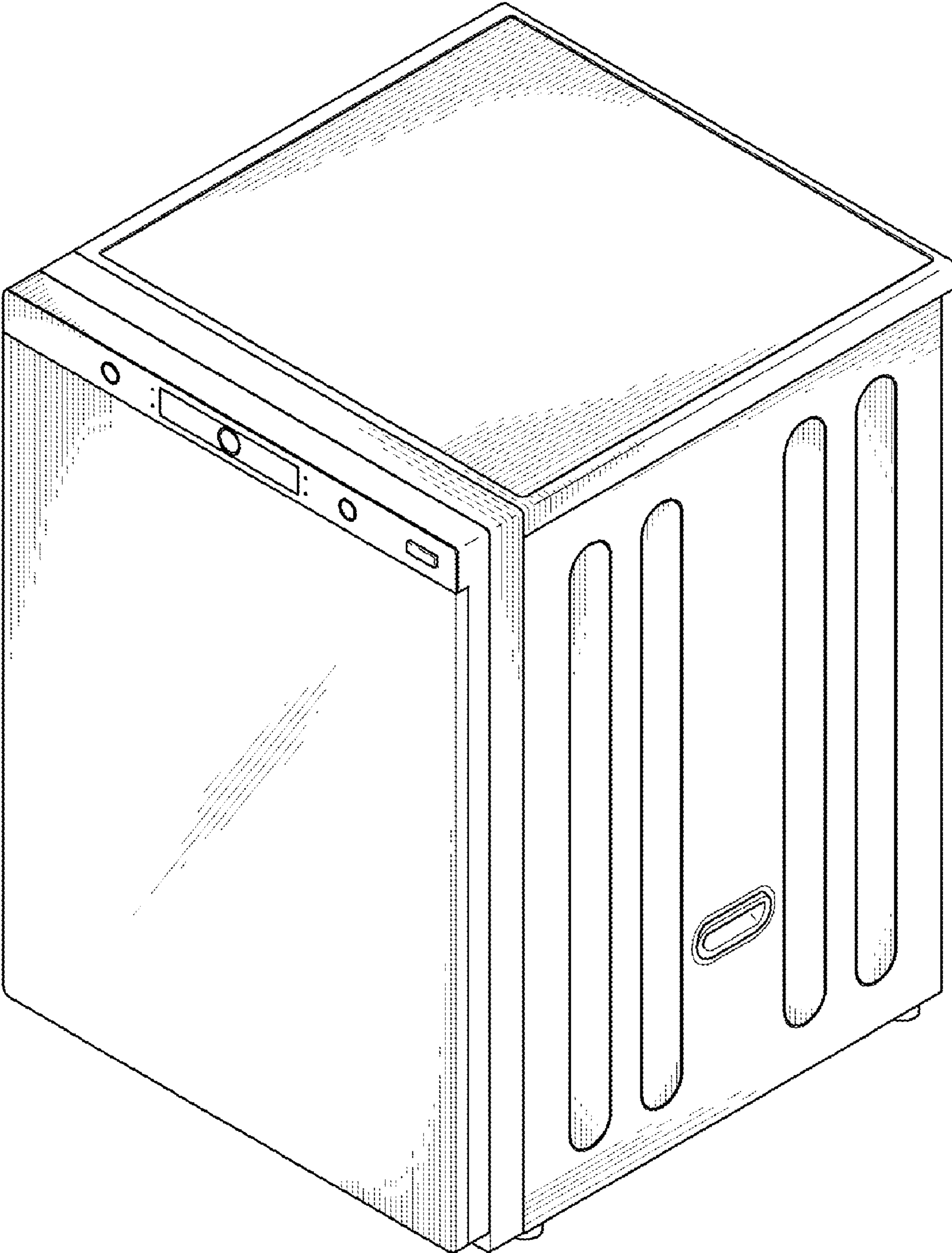
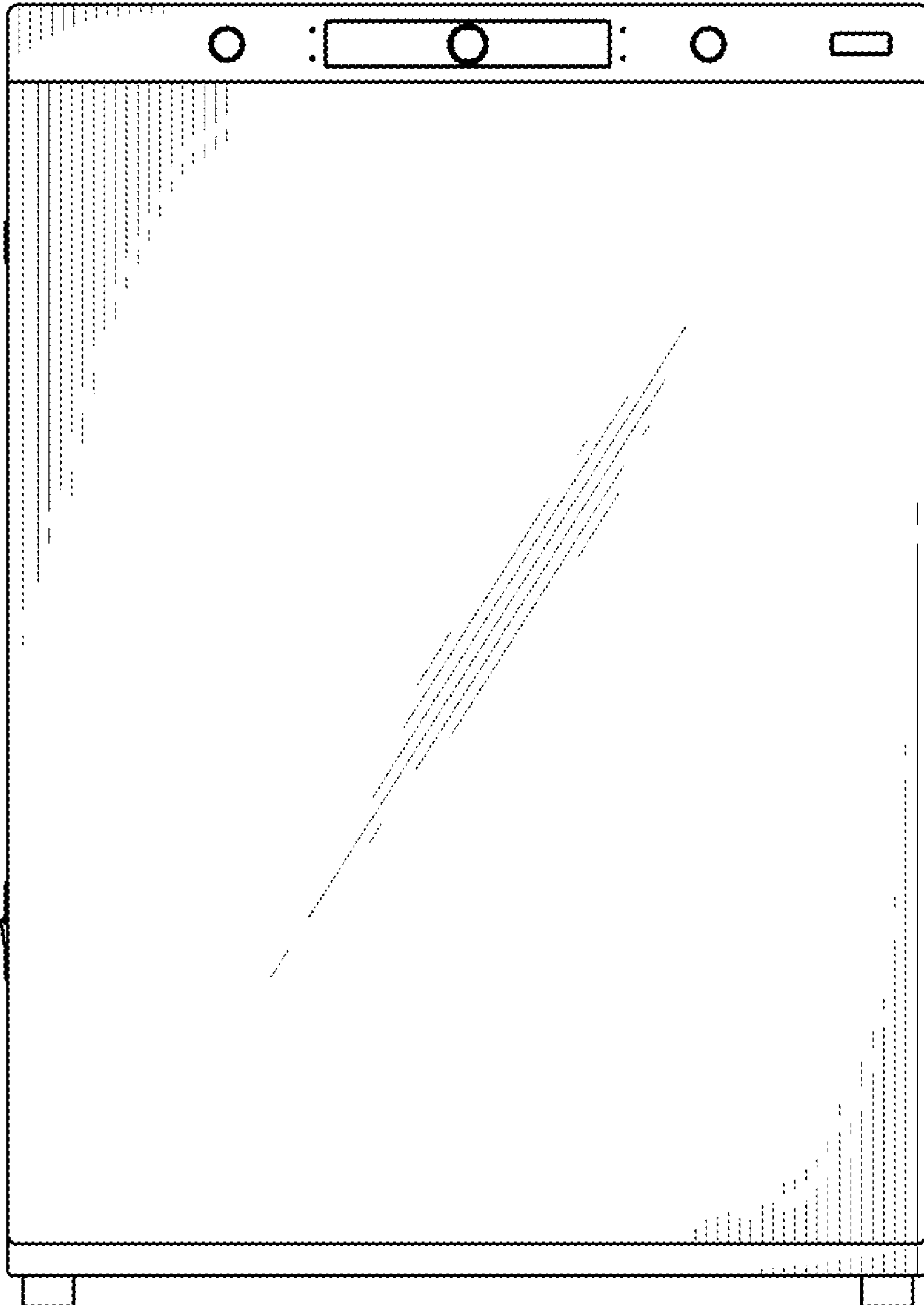


FIG. 1



# FIG. 2



# FIG. 3

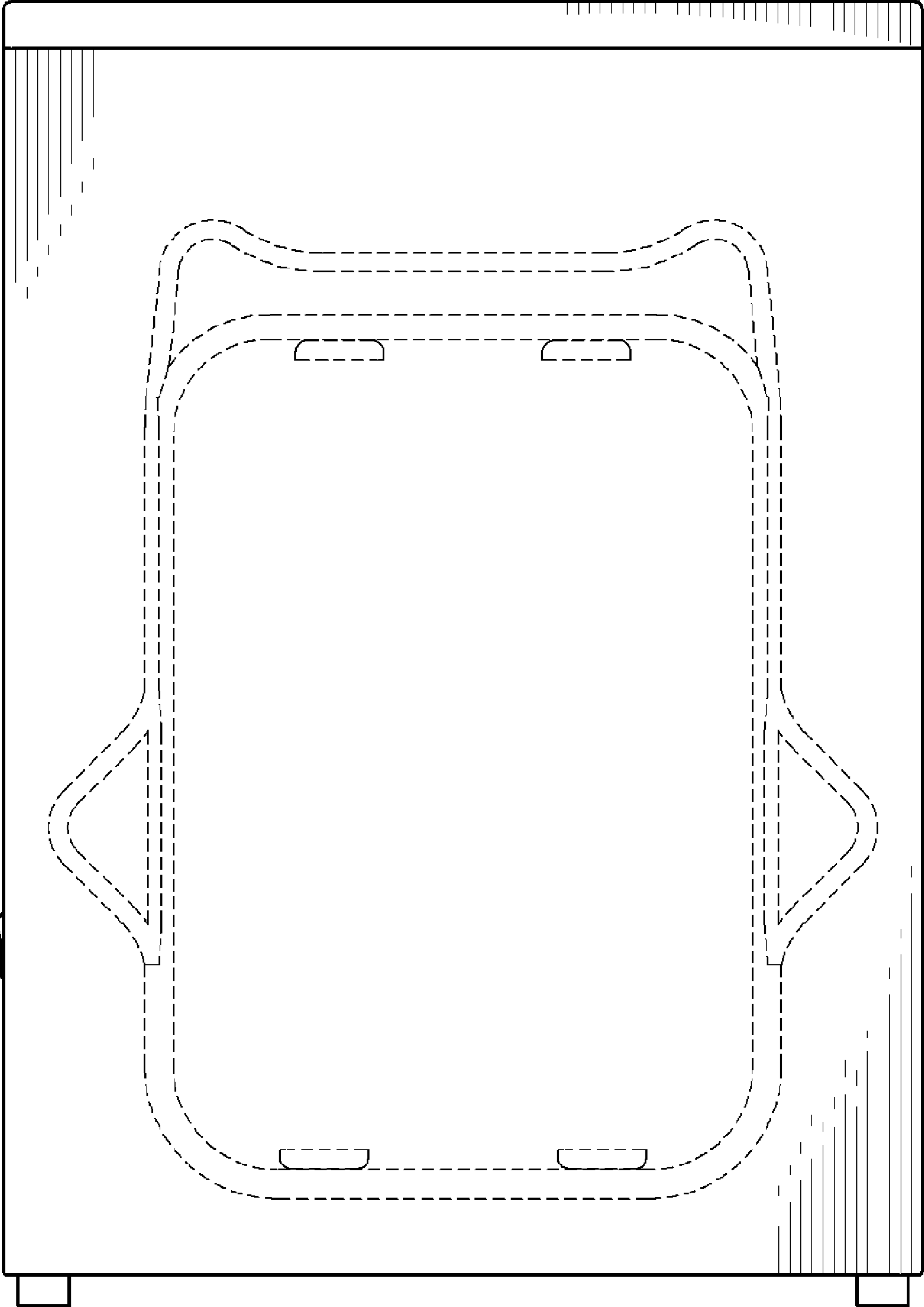


FIG. 4

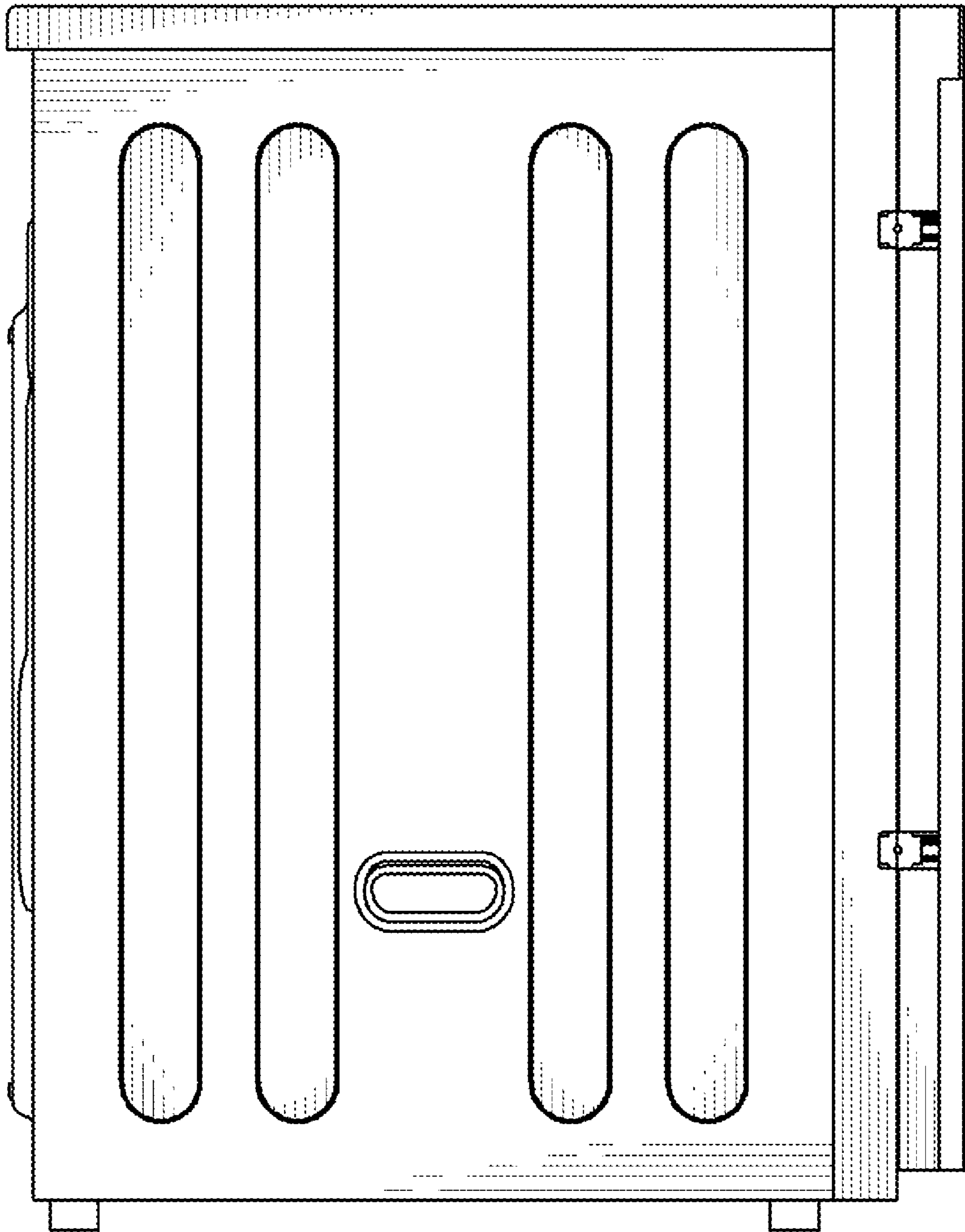




FIG. 5

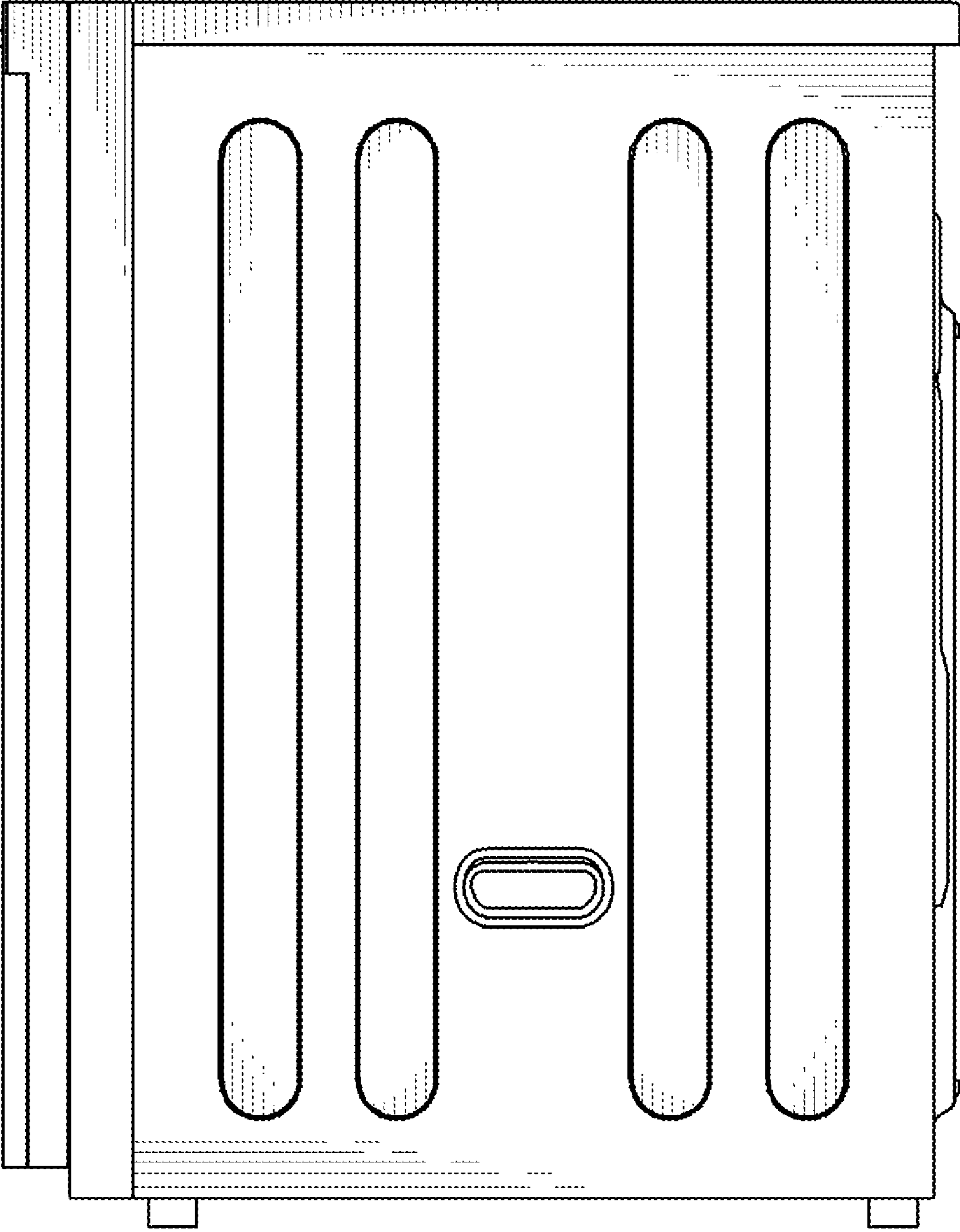


FIG. 6

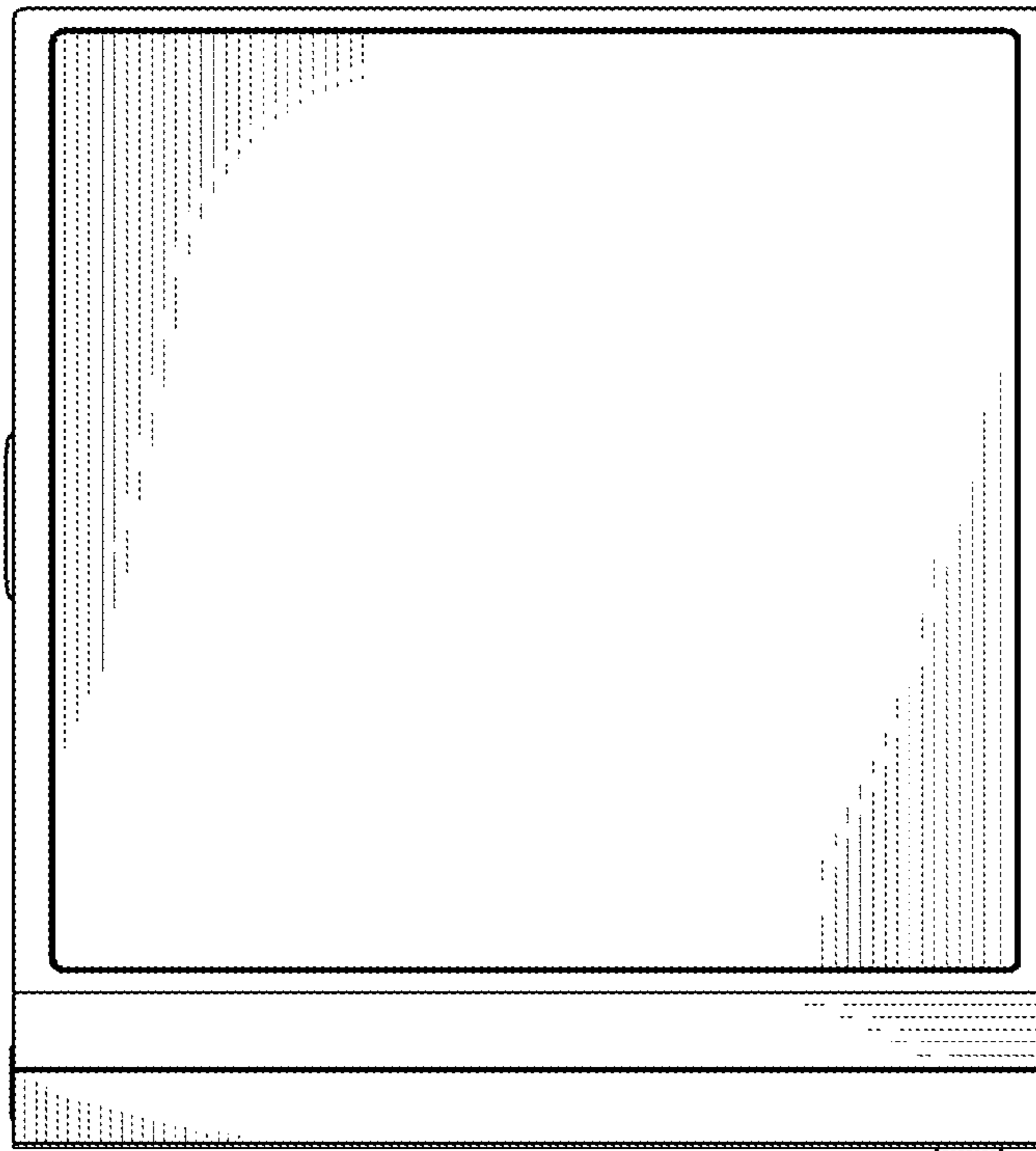


FIG. 7

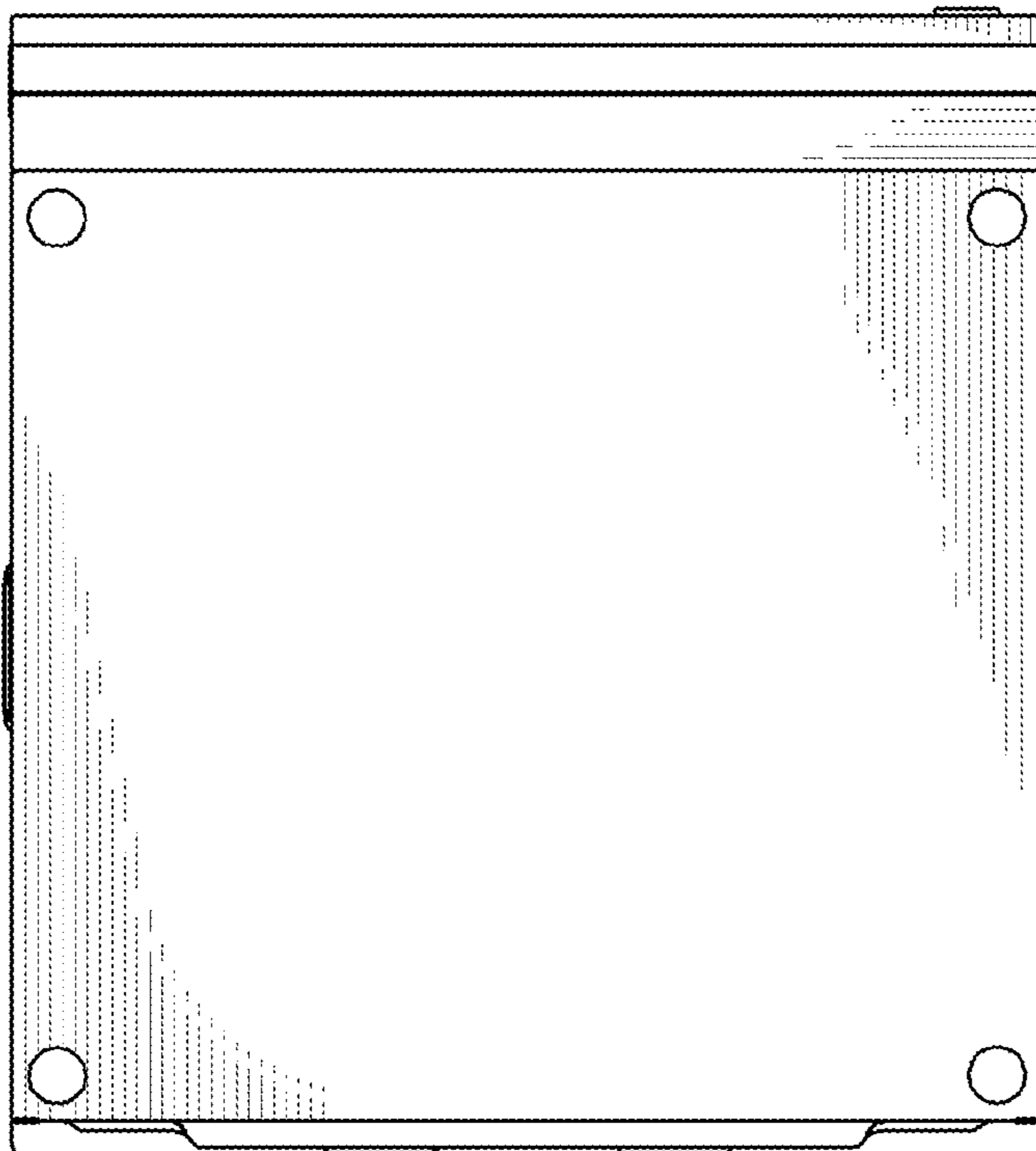


FIG. 8

