



US00D613466S

(12) **United States Design Patent**
Kim

(10) **Patent No.:** **US D613,466 S**

(45) **Date of Patent:** **** Apr. 6, 2010**

(54) **WASHING MACHINE**

D589,217 S * 3/2009 Park et al. D32/6

(75) Inventor: **Myung Shik Kim**, Gyeonggi-do (KR)

* cited by examiner

(73) Assignee: **LG Electronics Inc.**, Seoul (KR)

Primary Examiner—T. Chase Nelson

Assistant Examiner—Kathleen M Sims

(**) Term: **14 Years**

(74) *Attorney, Agent, or Firm*—Morgan Lewis & Bockius

LLP

(21) Appl. No.: **29/337,806**

(57) **CLAIM**

(22) Filed: **May 29, 2009**

The ornamental design for a washing machine, as shown and described.

(30) **Foreign Application Priority Data**

DESCRIPTION

Dec. 3, 2008 (KR) 30-2008-0052166

FIG. 1 is a top, front, perspective view of a washing machine showing my new design;

(51) **LOC (9) Cl.** **15-05**

FIG. 2 is a front view thereof;

(52) **U.S. Cl.** **D32/6**

FIG. 3 is a rear view thereof;

(58) **Field of Classification Search** D32/1,

FIG. 4 is a left side view thereof;

D32/5-6, 8, 10; 68/3 R, 5 R, 12.01; 312/31;

FIG. 5 is a right side view thereof;

34/87-88, 523-524

FIG. 6 is a top plan view thereof;

See application file for complete search history.

FIG. 7 is a bottom plan view thereof; and,

(56) **References Cited**

FIG. 8 is a top, front, perspective view, shown in an open position of a door.

U.S. PATENT DOCUMENTS

The broken lines depict portions of the washing machine that form no part of the claimed design.

D517,754 S * 3/2006 Paik et al. D32/2

D539,992 S * 4/2007 Yamamoto et al. D32/2

D557,466 S * 12/2007 Suh D32/6

D577,869 S * 9/2008 Tartan et al. D32/2

1 Claim, 7 Drawing Sheets

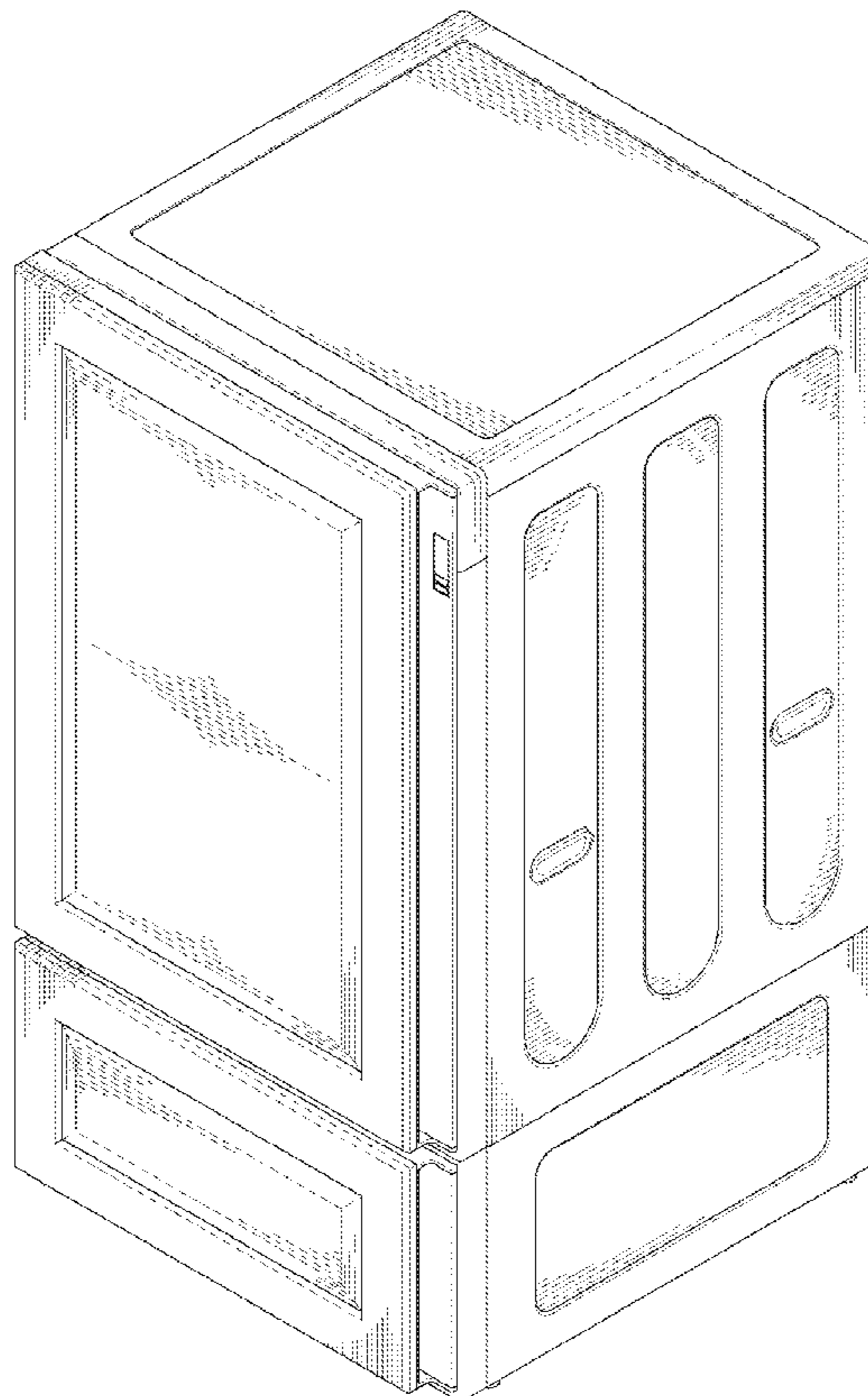


FIG. 1

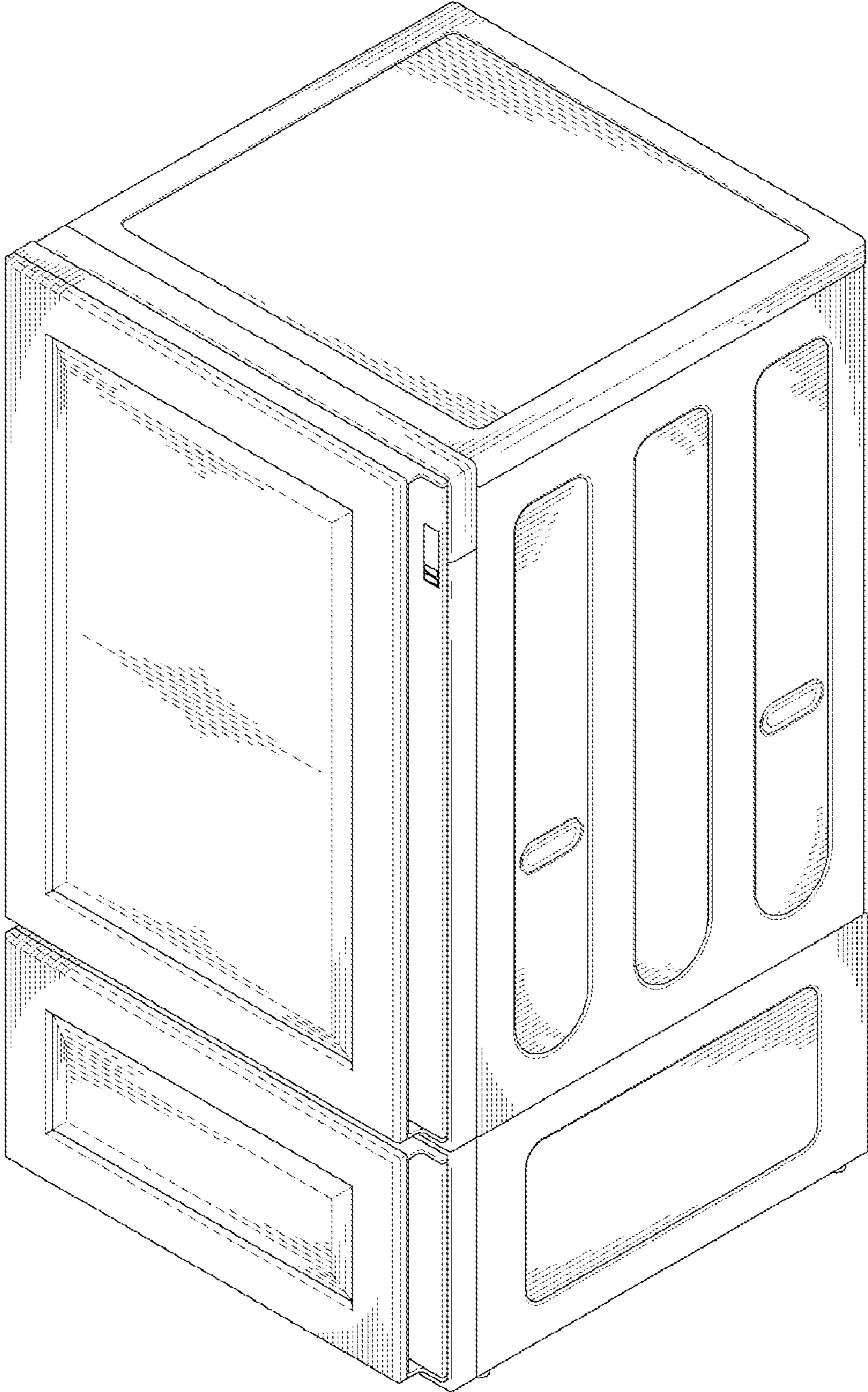


FIG. 2

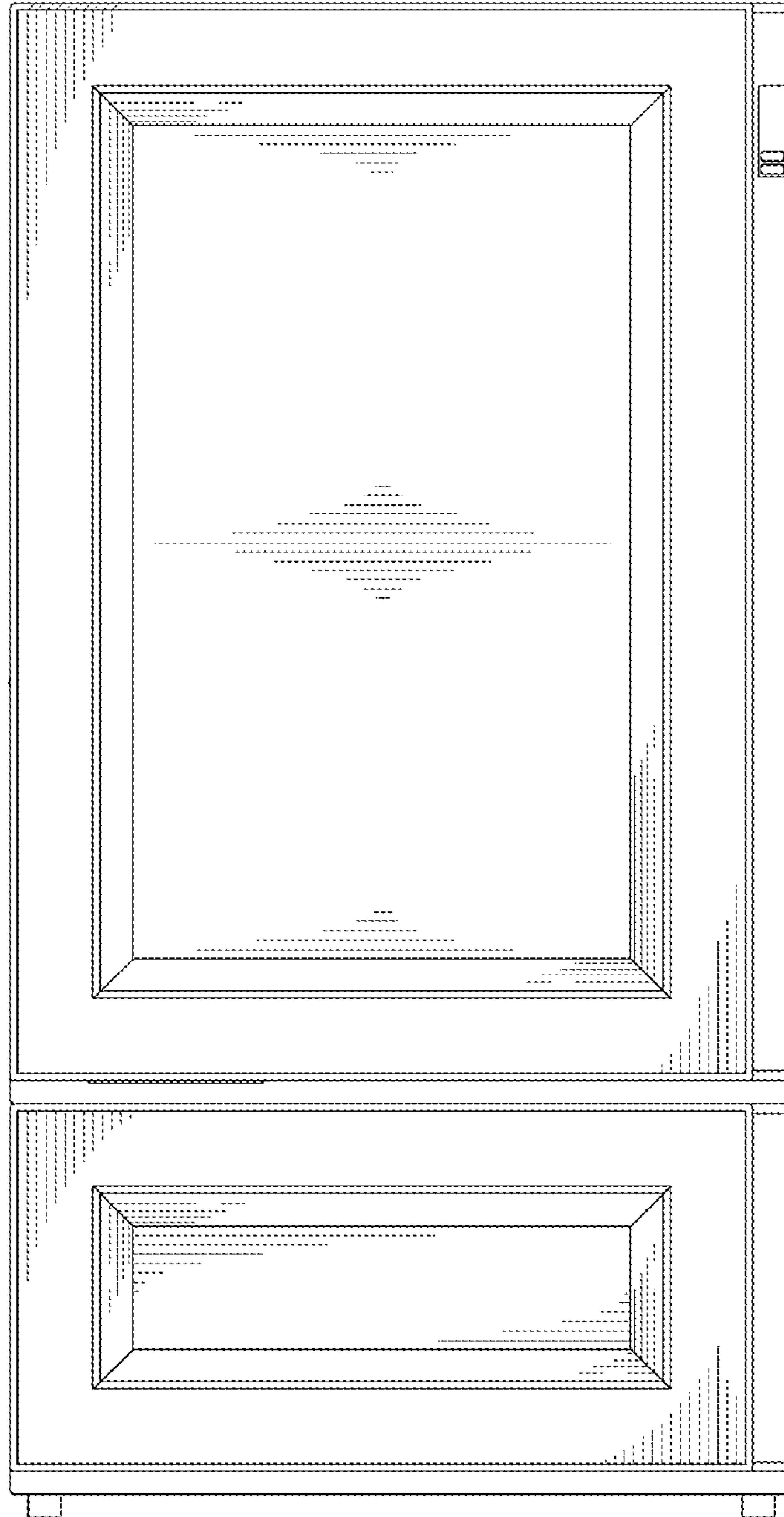


FIG. 3

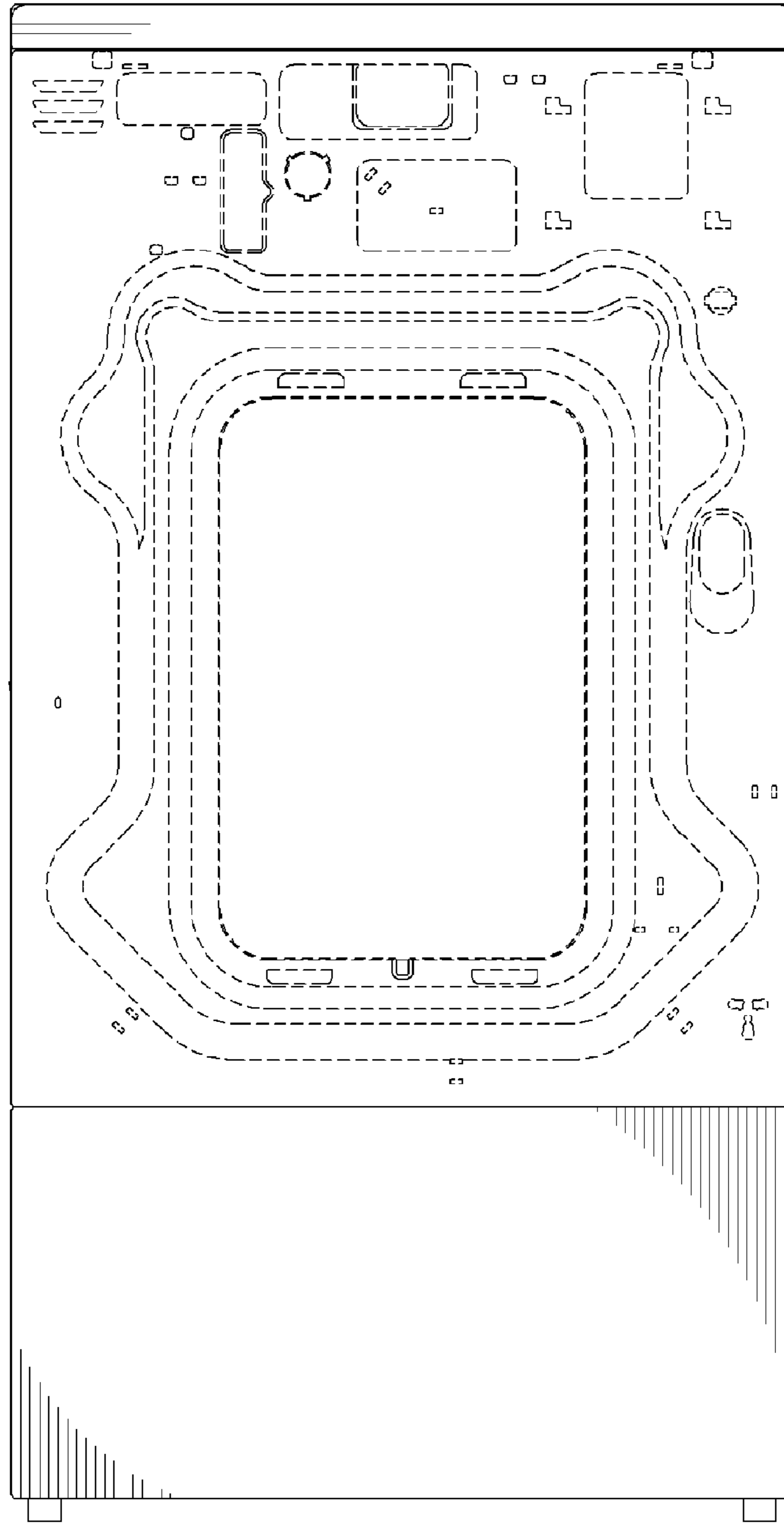


FIG. 4

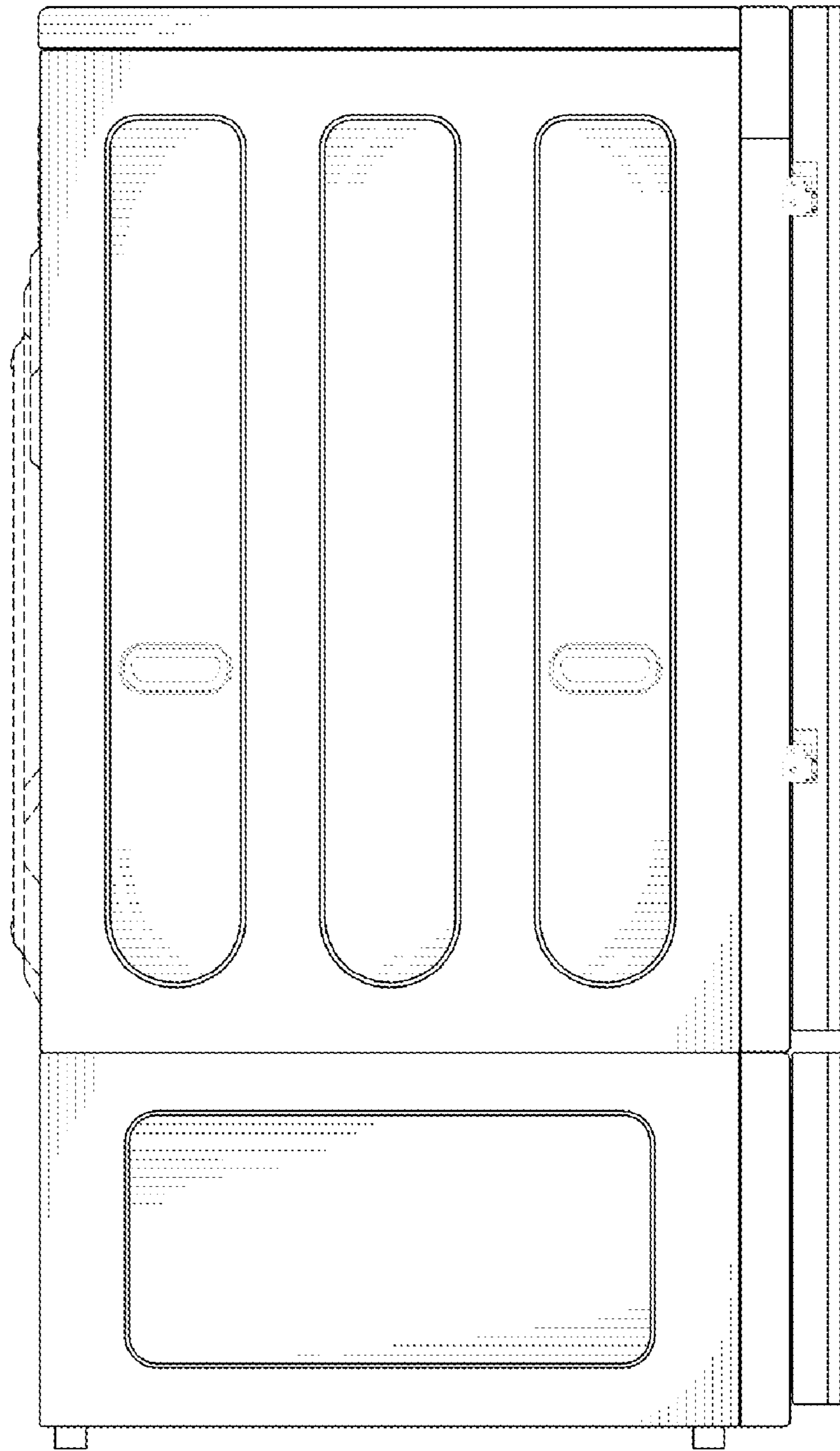


FIG. 5

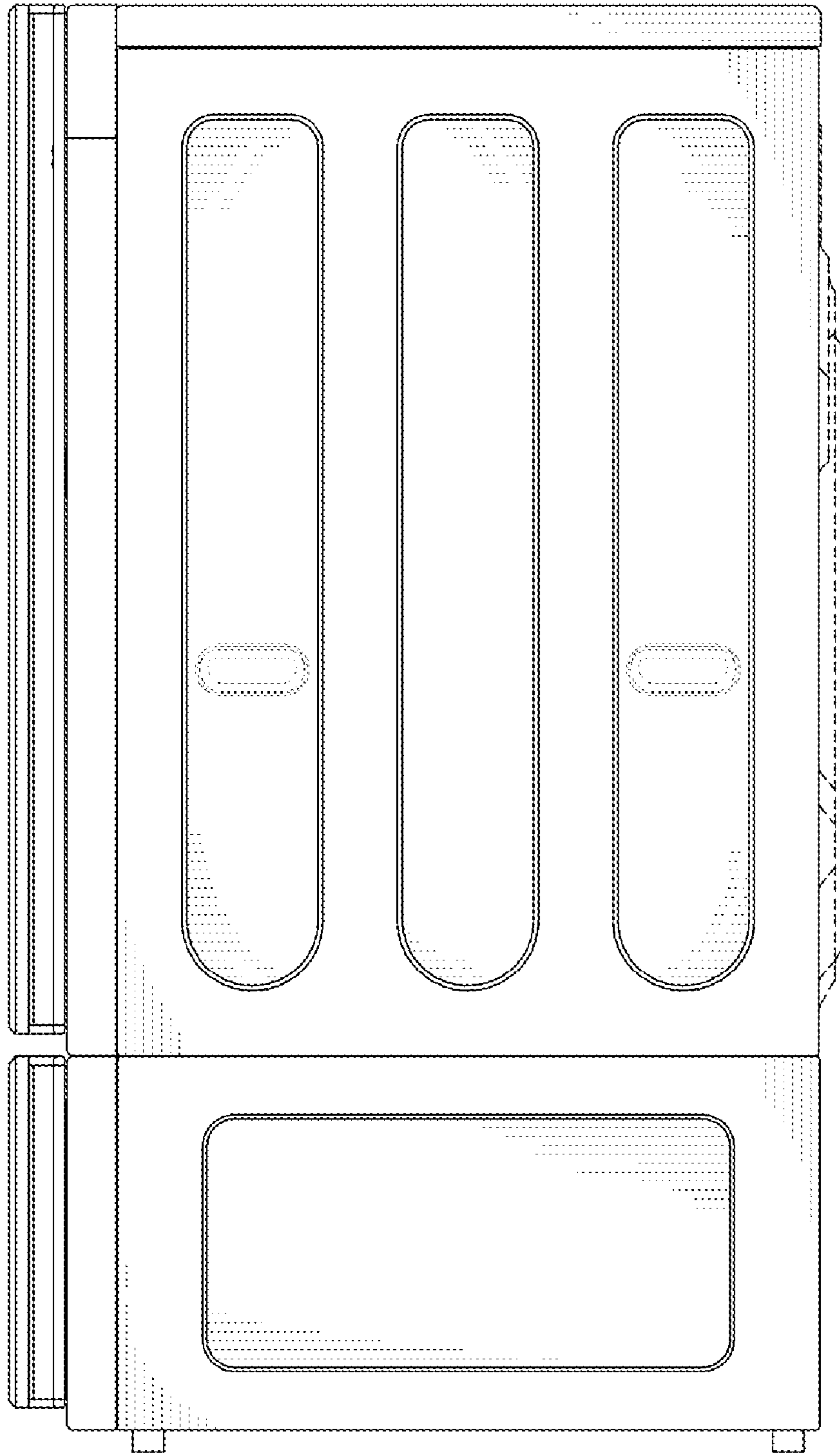


FIG. 6

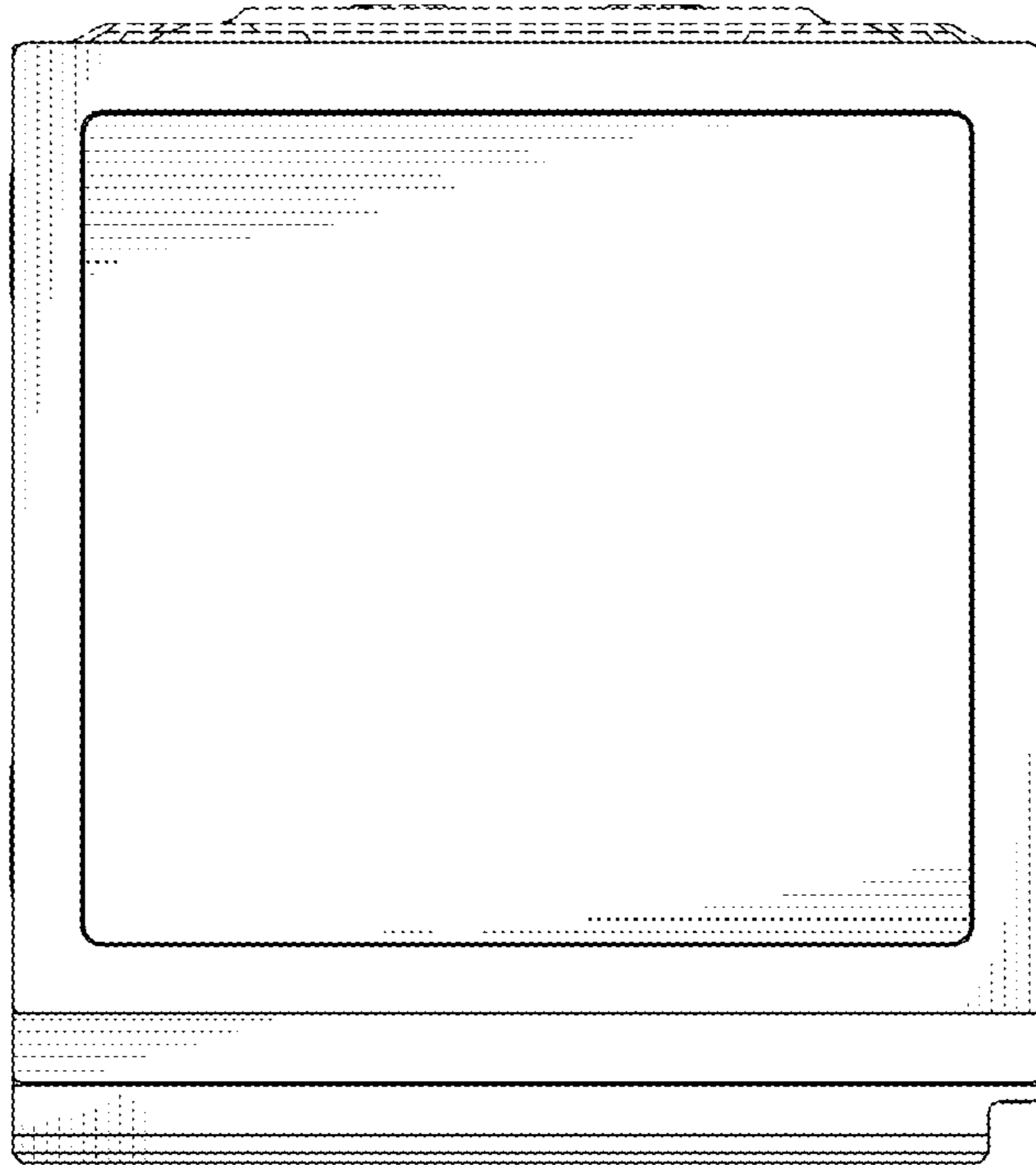


FIG. 7

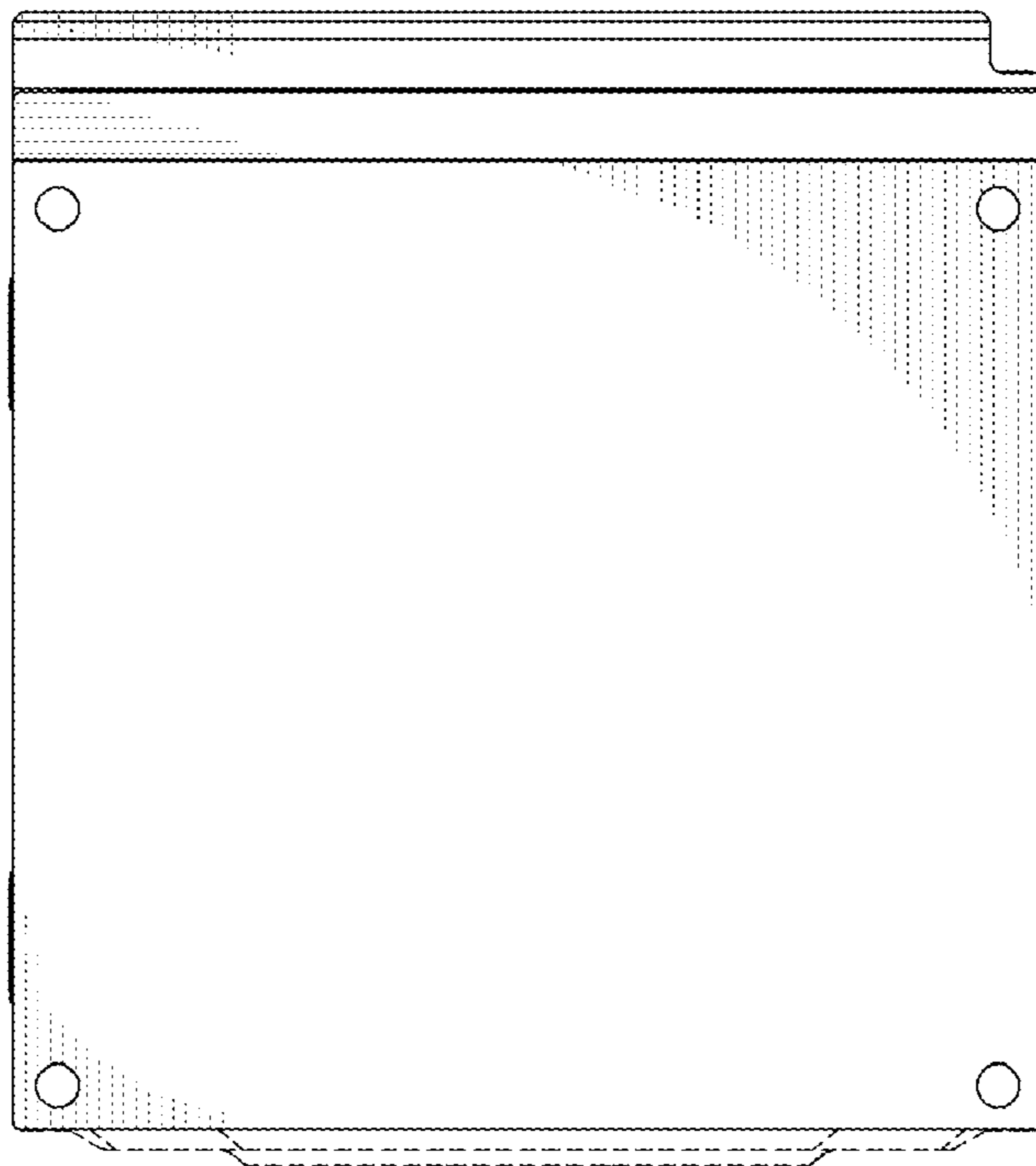


FIG. 8

